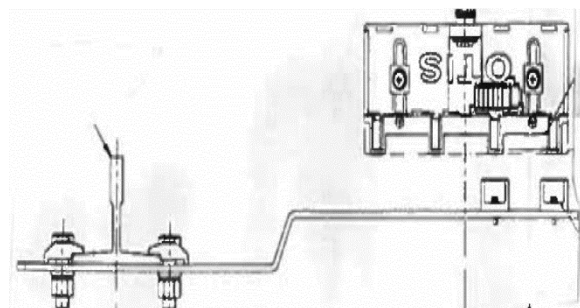
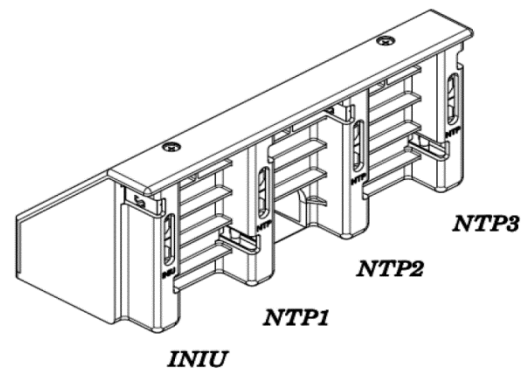
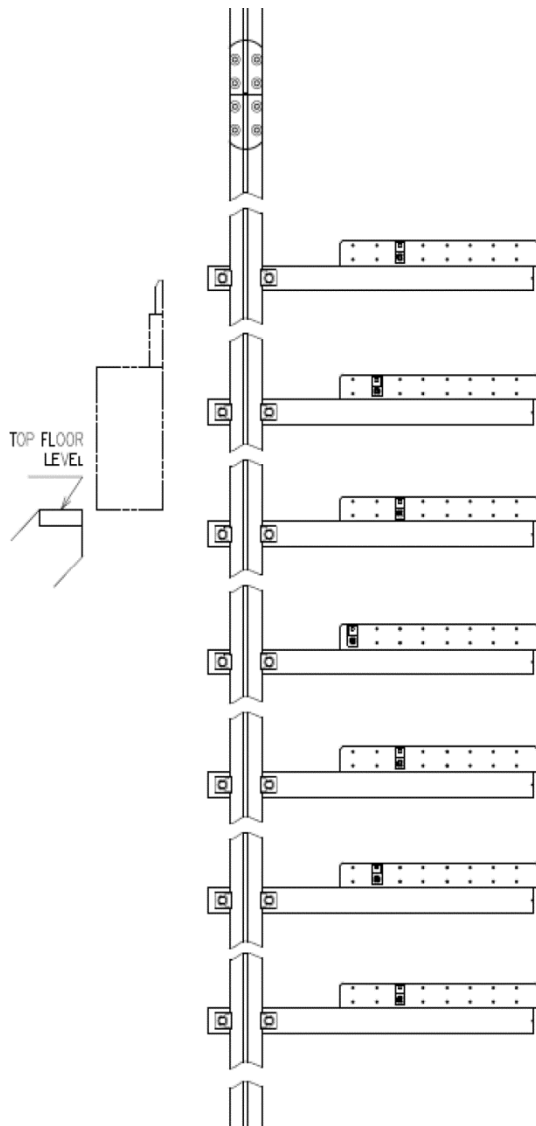


**NTSD Reed Switch and  
Magnet Assembly  
Skyrise® / E2**

**Spare Parts Leaflet  
12-KAA29505AAM  
09/01/2013 / Page 1 of 4**



**OTIS**

**SERVICE ENGINEERING  
Otis Elevator Company  
HR SIT, Shanghai China**

Unpublished Work—© Otis Elevator Co.; 2014

**Leaflet Description**

This leaflet provides spare parts information for Reed Switch assembly KAA29505AAM and magnet assembly KAA233AAD for NTSD (Normal Terminal Stopping Device) and INIU (Initialization Up Direction Device) in PRS (Position Reference System) of GMH/E2 control system.

**Leaflet Revisions**

<b>Date Revised</b>	<b>Subject Matter Expert</b>	<b>Reason for Revision</b>
September 1, 2013	Jiang Cheng	New SPL

**Related Drawings**

<b>Drawing No.</b>	<b>Title</b>	<b>Drawing No.</b>	<b>Title</b>
KAA29505AAM	Reed Switch Assembly	AAA26900L	Hoistway Magnet Mounting Arrangement
KAA233AAD	Magnet Assembly for Reed Switch		

**Related Documents**

<b>Document ID</b>	<b>Title</b>

**Subject Matter Expert**

<b>Name</b>	<b>Department</b>
Robert Knapp	OSC Service Engineering

**About Spare Parts Leaflets...**

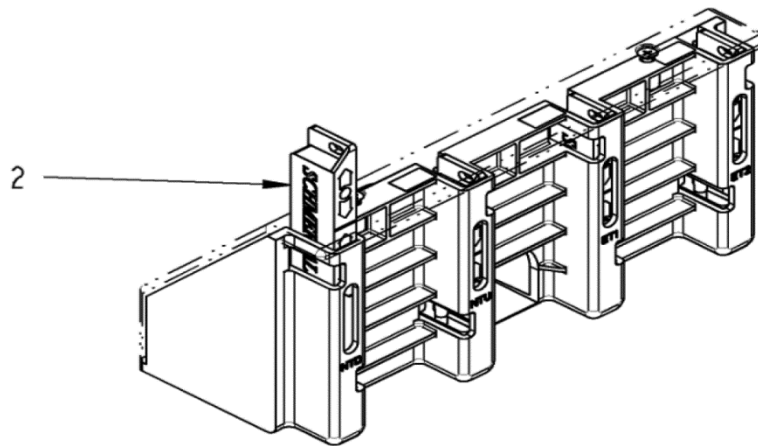
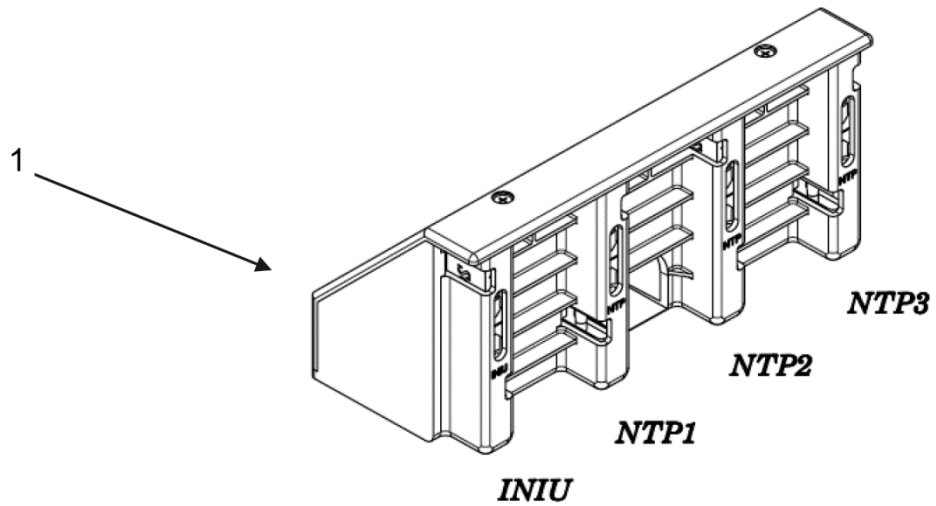
This document lists the lowest replaceable units (LRUs) for the standard version of the product. The LRUs are chosen by a team of Otis associates representing engineering and manufacturing.

While goal of this document is to make parts identification as easy as possible, the document cannot be all-inclusive. Elevator and escalator contracts classified as “special” or “custom” are not addressed here. For such contracts, please refer to specified information, the contract folder, TIPS, Field Education Articles, Construction Letters, etc. for further information.

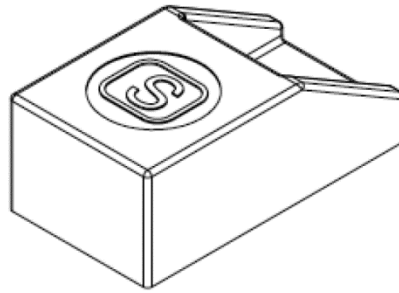
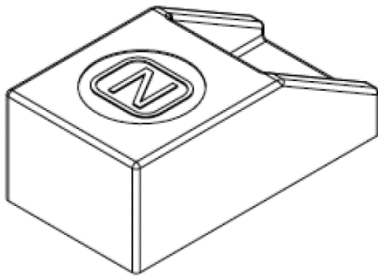
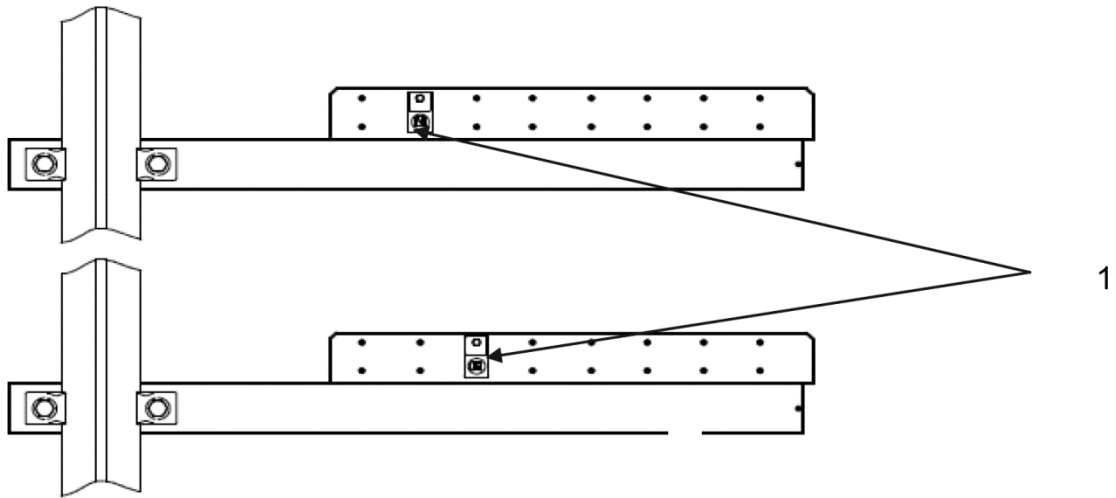
If you have any suggestions about this document, please contact the subject matter expert listed on this page.

# Reed Switch Assembly

**12-KAA29505AAM**



<b>VINTAGE</b>		
<b>REF. No.</b>	<b>PART No.</b>	<b>DESCRIPTION</b>
1	KAA29505AAM1	ETSD/ETSLD REED Switch Assembly
2	KAA661AAG1	Reed Switch



<b>VINTAGE</b>		
<b>REF. No.</b>	<b>PART No.</b>	<b>DESCRIPTION</b>
1	KAA233AAD1	N Polarity Magnet Assembly
	KAA233AAD2	S Polarity Magnet Assembly