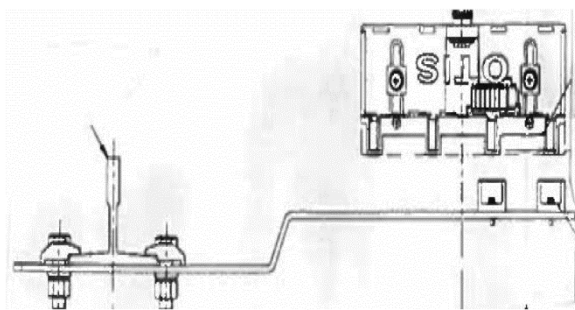
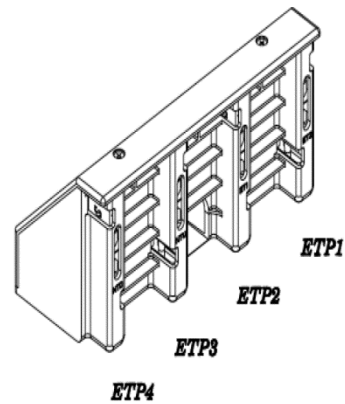
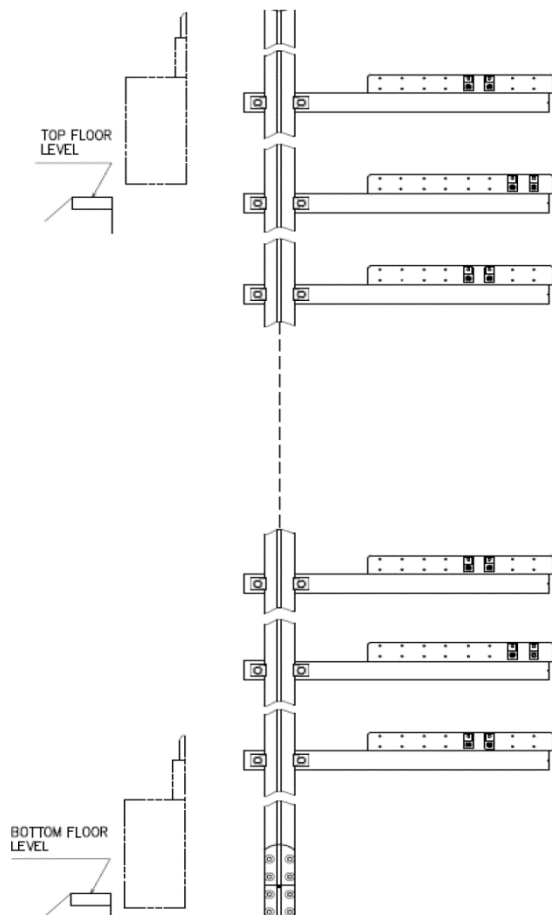


**ETSLD/ETSD Reed Switch  
and Magnet Assembly  
Skyrise® / E2**

**Spare Parts Leaflet  
12-KAA29505AAN  
09/01/2013 / Page 1 of 4**



**OTIS**

**SERVICE ENGINEERING  
Otis Elevator Company  
HR SIT , Shanghai China**

Unpublished Work—© Otis Elevator Co.; 2014

**Leaflet Description**

This leaflet provides spare parts information for Reed Switch assembly KAA29505AAN and Magnet assembly KAA233AAD for ETSD (Emergency Terminal Stopping Device) or ETSLD (Emergency Terminal Speed limiting Device) in PRS (Position Reference System) of GMH/E2 control system.

**Leaflet Revisions**

| <b>Date Revised</b> | <b>Subject Matter Expert</b> | <b>Reason for Revision</b> |
|---------------------|------------------------------|----------------------------|
| September 1, 2013   | Jiang Cheng                  | New SPL                    |
|                     |                              |                            |

**Related Drawings**

| <b>Drawing No.</b> | <b>Title</b>                    | <b>Drawing No.</b> | <b>Title</b>                         |
|--------------------|---------------------------------|--------------------|--------------------------------------|
| KAA29505AAN        | Reed Switch Assembly            | AAA26900L          | Hoistway Magnet Mounting Arrangement |
| KAA233AAD          | Magnet Assembly for Reed Switch |                    |                                      |

**Related Documents**

| <b>Document ID</b> | <b>Title</b> |
|--------------------|--------------|
|                    |              |
|                    |              |

**Subject Matter Expert**

| <b>Name</b>  | <b>Department</b>       |
|--------------|-------------------------|
| Robert Knapp | OSC Service Engineering |

**About Spare Parts Leaflets...**

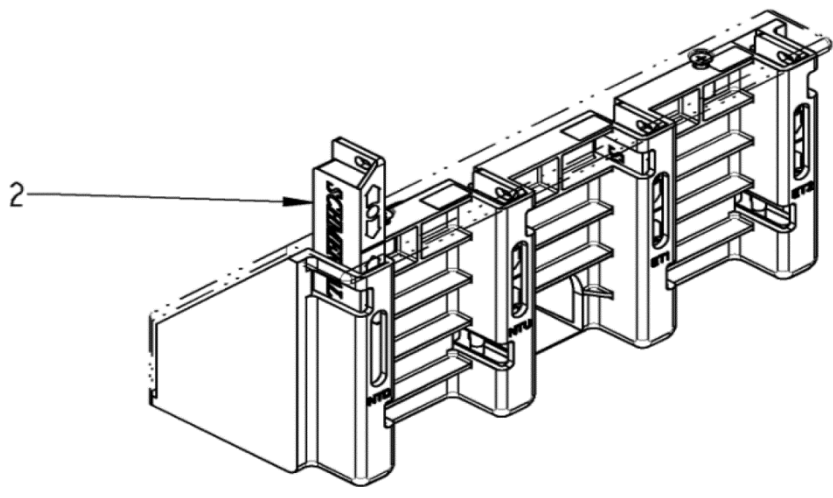
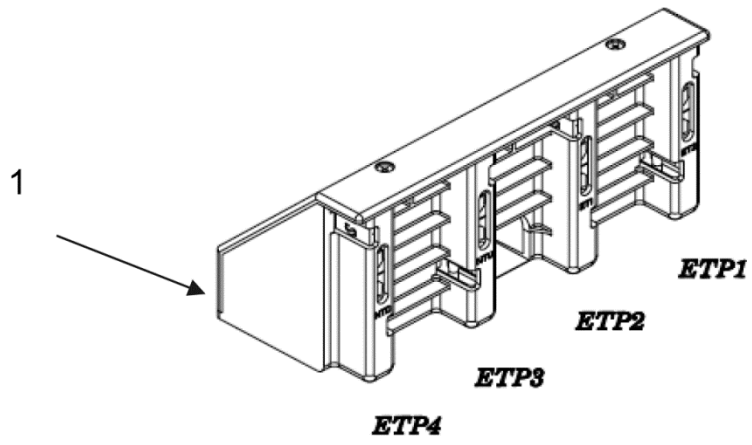
This document lists the lowest replaceable units (LRUs) for the standard version of the product. The LRUs are chosen by a team of Otis associates representing engineering and manufacturing.

While goal of this document is to make parts identification as easy as possible, the document cannot be all-inclusive. Elevator and escalator contracts classified as "special" or "custom" are not addressed here. For such contracts, please refer to specified information, the contract folder, TIPS, Field Education Articles, Construction Letters, etc. for further information.

If you have any suggestions about this document, please contact the subject matter expert listed on this page.

# Reed Switch Assembly

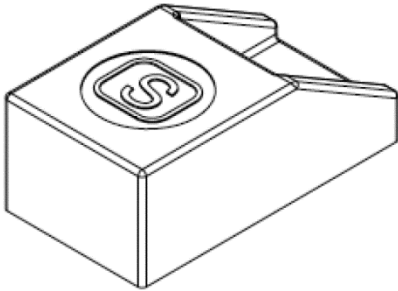
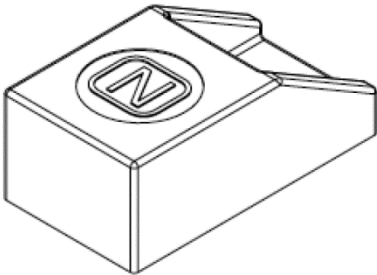
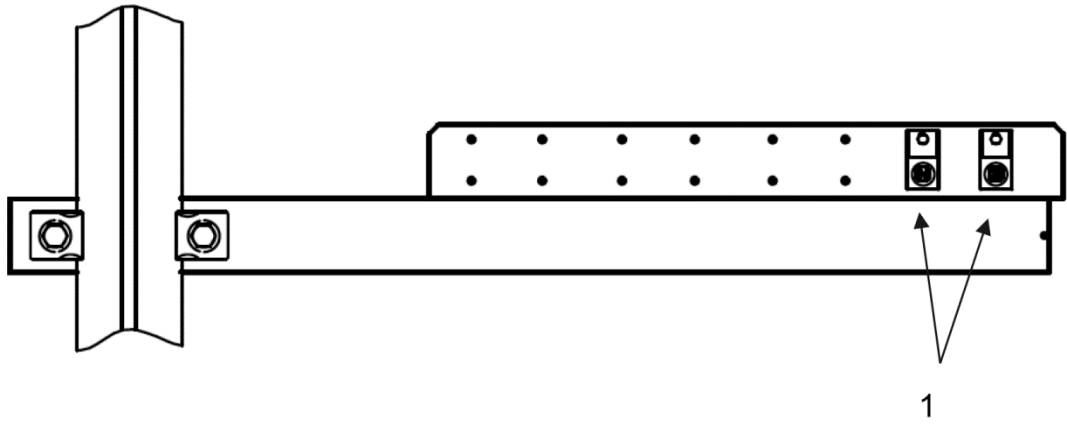
**12-KAA29505AAN**



| VINTAGE  |              |                                 |
|----------|--------------|---------------------------------|
| REF. No. | PART No.     | DESCRIPTION                     |
| 1        | KAA29505AAN1 | ETSD/ETSLD Reed Switch Assembly |
| 2        | KAA661AAG1   | Reed Switch                     |

# Magnet Assembly

**12-KAA29505AAN**



|                 |                 | <b>VINTAGE</b>             |
|-----------------|-----------------|----------------------------|
| <b>REF. No.</b> | <b>PART No.</b> | <b>DESCRIPTION</b>         |
| 1               | KAA233AAD1      | N Polarity Magnet Assembly |
|                 | KAA233AAD2      | S Polarity Magnet Assembly |