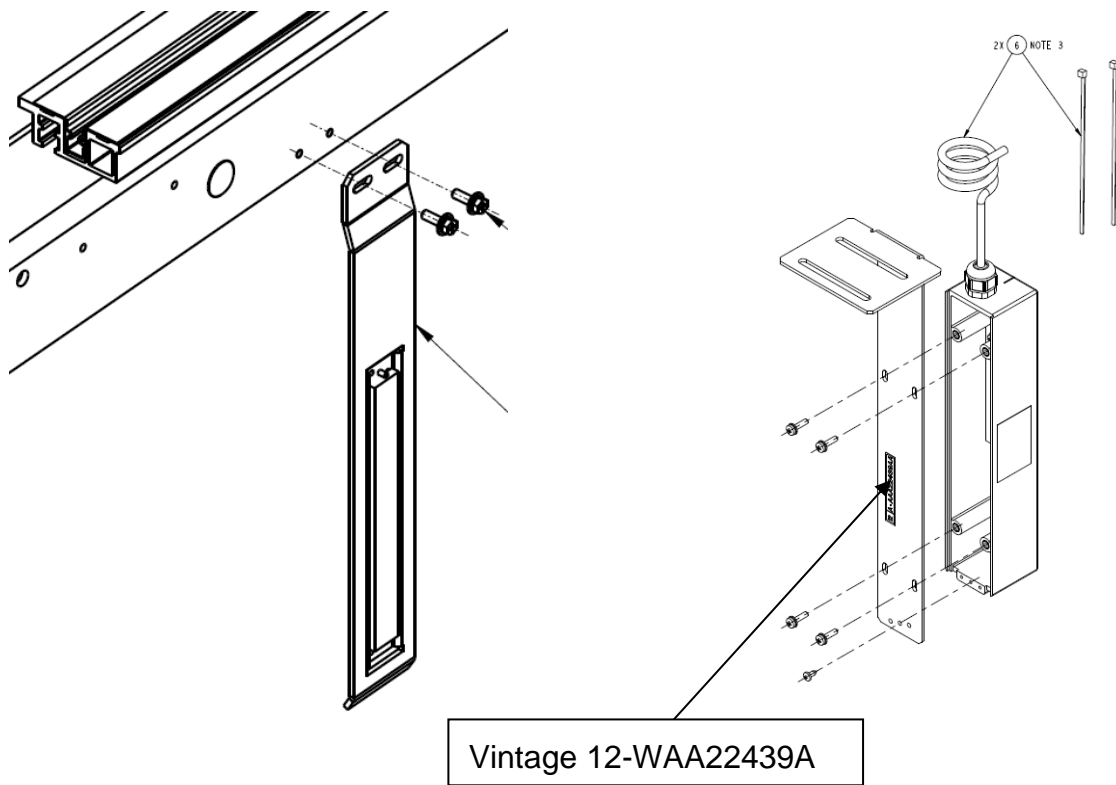


**Position Reference  
System GeN3 Overslung**

**Spare Parts Leaflet  
12-WAA22439A**

**March 18, 2022 / Page 1 of 3**



**OTIS**

This document does not contain any technical data subject to EAR or ITAR

**SERVICE ENGINEERING  
Otis Elevator Company  
Bloomfield, Connecticut USA**

Unpublished Work—© Otis Elevator Co.; 2021

**Leaflet Description**

This leaflet provides information for the position reference system for the GeN3 Overslung product.

**Leaflet Revisions**

<b>Date Revised</b>	<b>Subject Matter Expert</b>	<b>Reason for Revision</b>
March 18, 2022	Sybil Wang	New SPL

**Related Drawings**

<b>Drawing No.</b>	<b>Title</b>	<b>Drawing No.</b>	<b>Title</b>
WAA22439A	RPD Sensor Assembly Position Reference System		

**Related Documents**

<b>Document ID</b>	<b>Title</b>

**Subject Matter Expert**

<b>Name</b>	<b>Department</b>
Sybil Wang	Shanghai LDC Mechanical Engineering

**About Spare Parts Leaflets...**

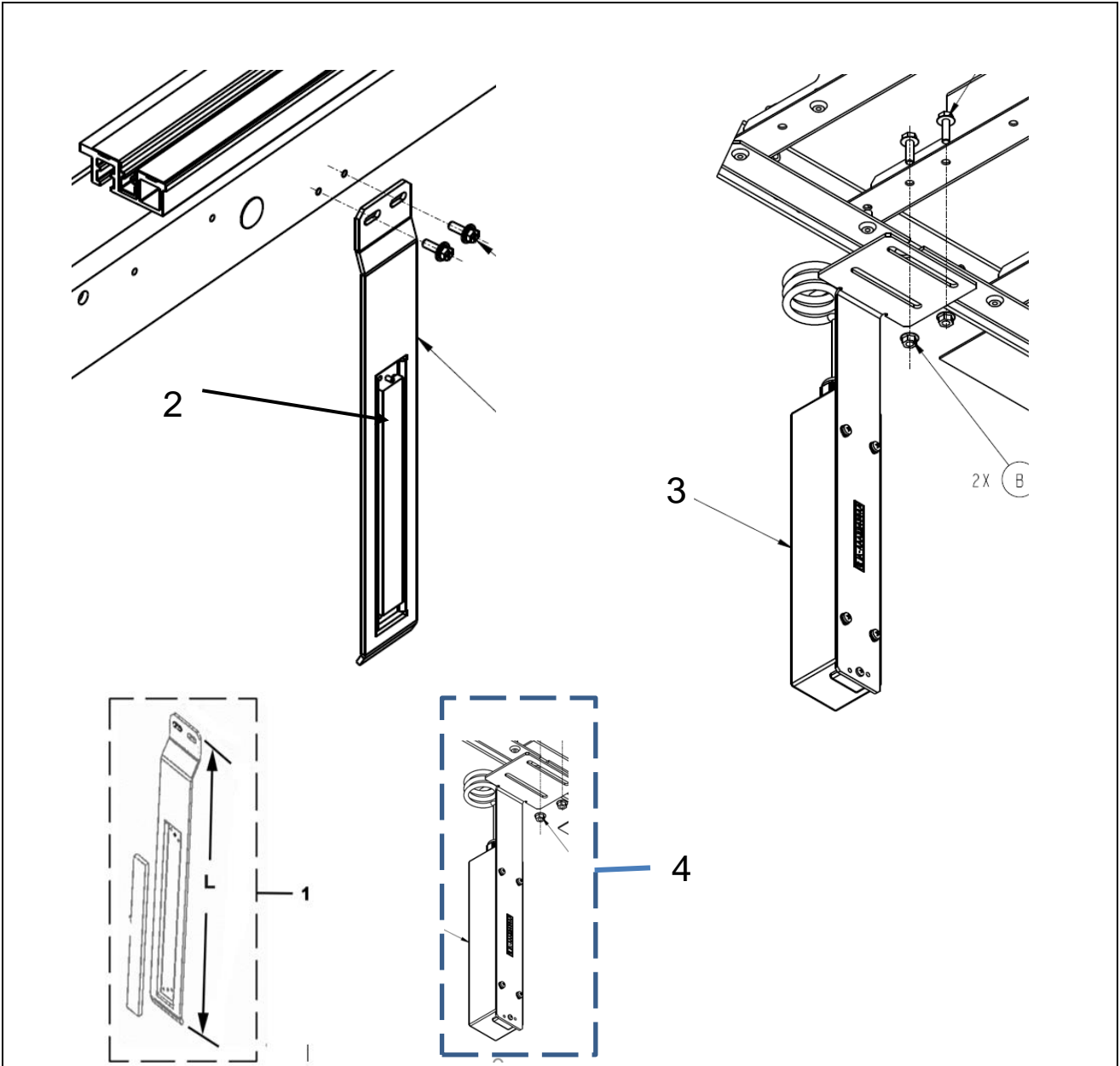
This document lists the lowest replaceable units (LRUs) for the standard version of the product. The LRUs are chosen by a team of Otis associates representing engineering and manufacturing.

While goal of this document is to make parts identification as easy as possible, the document cannot be all-inclusive. Elevator and escalator contracts classified as “special” or “custom” are not addressed here. For such contracts, please refer to specified information, the contract folder, TIPS, Field Education Articles, Construction Letters, etc. for further information.

If you have any suggestions about this document, please contact the subject matter expert listed on this page.

# PRS Magnet and Sensor Gen3 Overslung

**12-WAA22439A**



<b>WAA22439A</b>		
<b>REF. No.</b>	<b>PART No.</b>	<b>DESCRIPTION</b>
1	AAA22440B3	Assembly, Magnet, RDP Reflector, PRS, L = 13.5 in.
2	KAA233AAC12	Magnet w/ Adhesive on Back
3	KAA27800AAB114	RPD sensor, PRS (sensor only)
4	AAA22440A4	Sensor, PRS (sensor and bracket)
*	VP-420422	Wipe, Alcohol (not shown)