

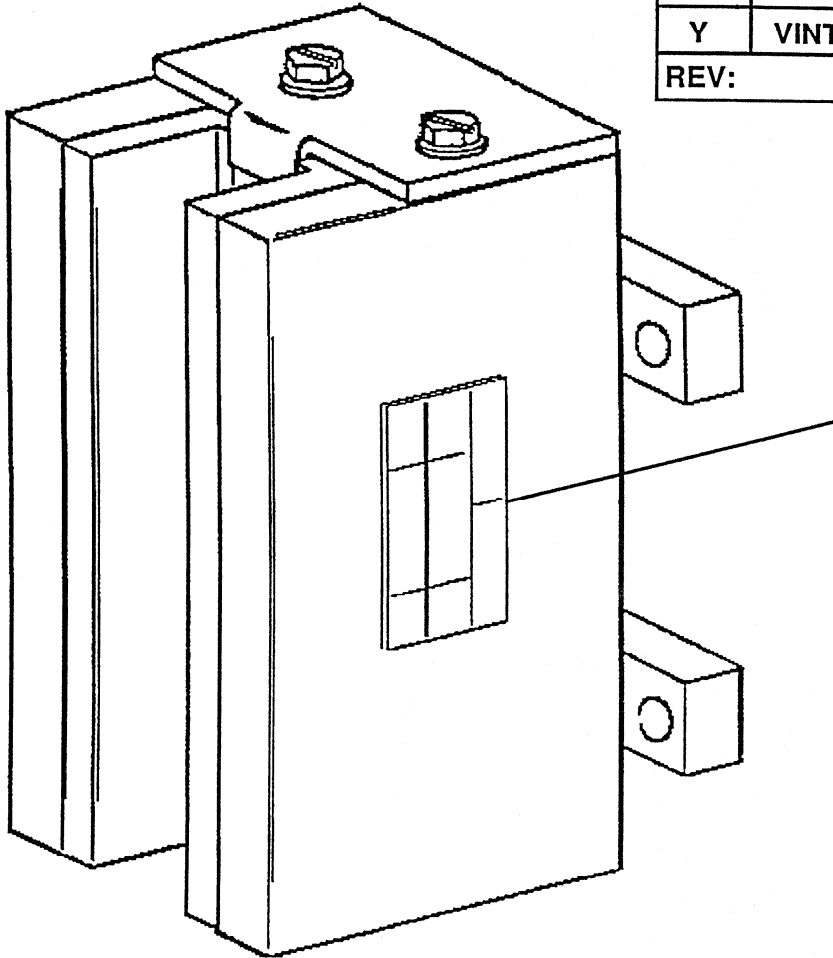
Type 6161AB
Sliding Guide Shoe
Assembly

Spare Parts Leaflet

14-6161AB

January 1, 2001 / Page 1 of 3

Supersedes SPL 14-6161AB Dated July 1991



14	6161AB	
Y	VINTAGE	Y 01
REV:		EN

OTIS

Safety First!

SERVICE ENGINEERING

Otis Elevator Company
Bloomfield, Connecticut USA

History
14-6161AB
First Published: December 1987

Type 6161AB Sliding Guide Shoe Assembly
--

REVISED DATE	RESPONSIBLE ENGINEER	PRIMARY REASON FOR REVISION
December 1987	- - -	Initial release of leaflet
July 1991	Duane Stupienski	Supersede the initial leaflet.
January 1, 2001	Duane Stupienski	Update and add alternative gib style.

Leaflet Description

This leaflet provides information on type 6161AB sliding guide shoe assembly. Similar to type 6161R assembly, this leaflet also captures the U-shape cast iron gib and plastic flat fold-up gib styles. In the past, type 6161AB sliding guide was first used on AAA6055DT counterweight assembly and arrangement for GEM equipment.

RELATED LEAFLET NUMBERS	TITLES
14-6161R	Sliding Guide Shoe Assembly

DRAWING REFERENCES
6161AB
6161R
AAA6055DT

RELATED DOCUMENT NUMBERS	TITLES
- - -	- - -

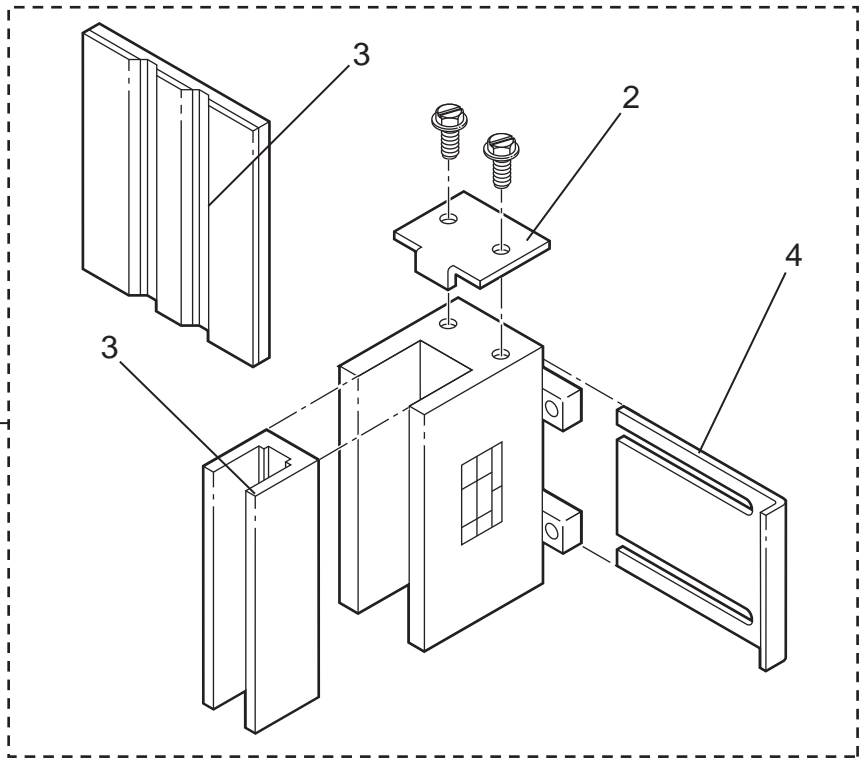
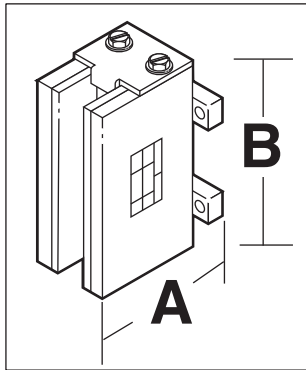
This Spare Parts Leaflet (SPL) is prepared to assist you in determining the Lowest Replaceable Units (LRU) supported by the Otis Service Center for the standard version of the product titled on the preceding page. The parts are chosen by Otis associates from: Engineering, Field Engineering, Service Engineering, and Manufacturing. We attempt to make part identification as easy as possible. The SPL, however, cannot be all inclusive. Elevator and escalator contracts classified as either "special" or "custom" are not addressed. Alternative sources of information such as: the Contract Folder, Technical Information Publications, Field Education Articles, Construction Letters, etc. may give the information you are after. You live in the real world of maintaining your elevator and escalator contracts. On a daily basis, situations arise regarding parts identification and at times, for some reason, the part you need is not in the SPL. If you think a standard part not listed should be—let us know. We will respond.



--

Duane Stupienski-OSC Service Engineering

Type 6161AB Sliding Guide Shoe Assembly

14-6161AB



		W/O VINTAGE & VINTAGE Y 01	
REF. NO.	PART or ML	DESCRIPTION	
1	6161AB1	Assembly, Sliding Guide Shoe	A = 2.5 in. B = 6.42 in.
	6161AB2		A = 2.25 in. B = 6.42 in.
	6161AB3		A = 2.25 in. B = 4.42 in.
2	339LG1	Clip	
3	380BT1	Gib, 4 in. L, U-Shape, Cast Iron	
	380BT2	Gib, 6 in. L, U-Shape, Cast Iron	
	380BV1 A380BV1	Gib, Guide Shoe, 4 in. L, Plastic	U-shape,  Flat fold-up
	380BV2 A380BV2	Gib, Guide Shoe, 6 in. L, Plastic	U-shape,  Flat fold-up
4	255ES7	Shim, 0.03 in. Thick	
	255ES8	Shim, 0.06 in. Thick	