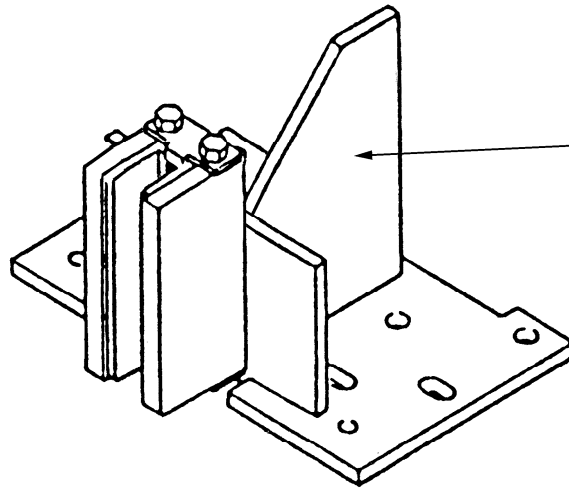


Sliding Guide Shoe Assembly

Spare Parts Leaflet

14-6161R

July 1, 2000 / Page 1 of 3



14	6161R	
Y	VINTAGE	Y 01
REV	EN	

OTIS

Safety First!

SERVICE ENGINEERING

Otis Elevator Company
Bloomfield, Connecticut USA

History
14-6161R
First Published: July 1, 2000

<h1>Sliding Guide Shoe Assembly</h1>
--

REVISED DATE	RESPONSIBLE ENGINEER	PRIMARY REASON FOR REVISION
July 1, 2000	Duane Stupienski	New Leaflet

Leaflet Description

This leaflet describes the sliding guide shoe assembly used in the low-rise hydraulic elevators. Note that gib insert styles have varied over the years. Originally, guide shoes were released with cast iron inserts. Now these guide shoes can also accept the fold-up style plastic gib inserts.

RELATED LEAFLET NUMBERS	TITLES
14-6161AB	Sliding Guide Shoe Assembly

DRAWING REFERENCES
6161R
471FE
237BR

RELATED DOCUMENT NUMBERS	TITLES
---	---

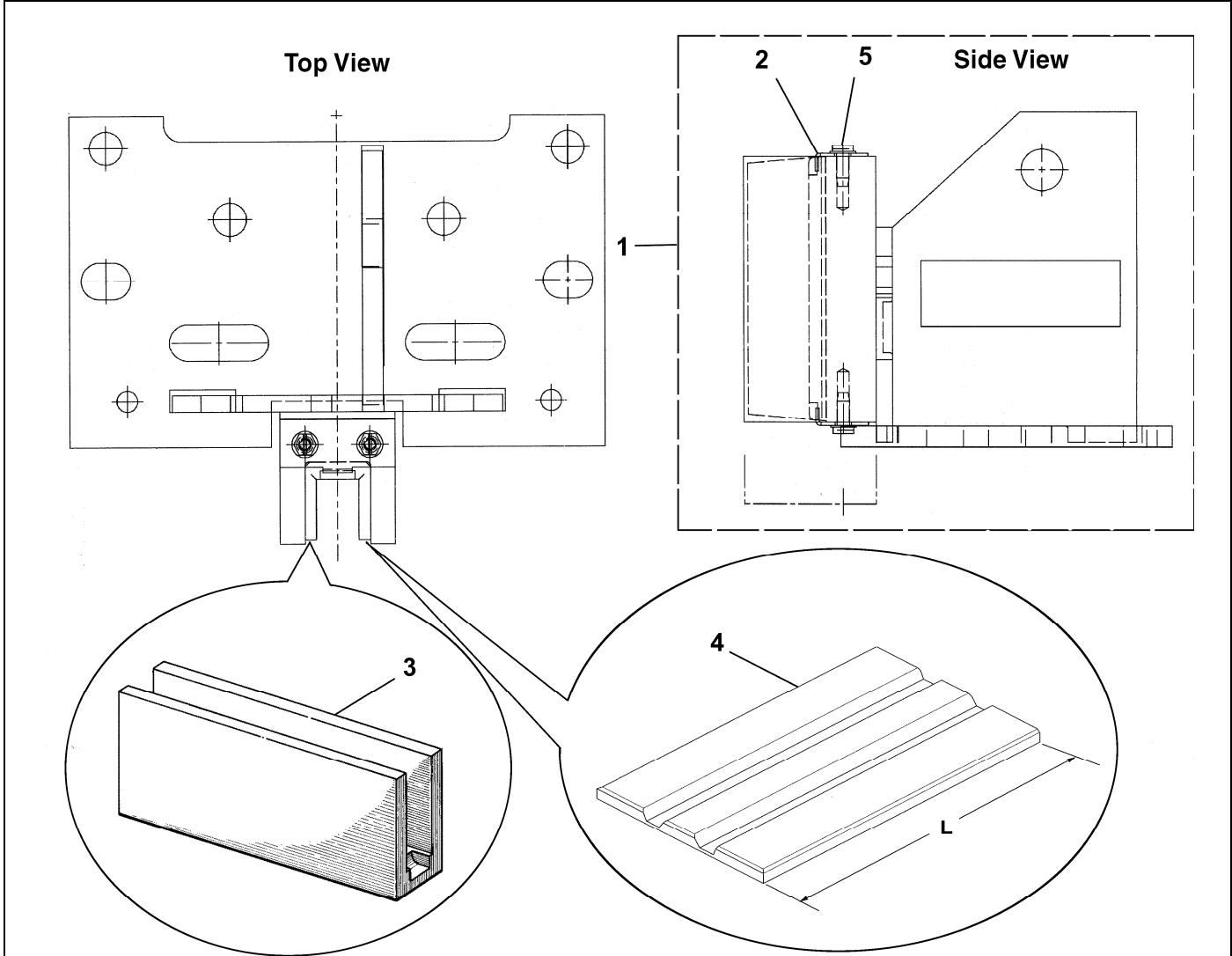
This Spare Parts Leaflet (SPL) is prepared to assist you in determining the Lowest Replaceable Units (LRU) supported by the Otis Service Center for the standard version of the product titled on the preceding page. The parts are chosen by Otis associates from: Engineering, Field Engineering, Service Engineering, and Manufacturing. We attempt to make part identification as easy as possible. The SPL, however, cannot be all inclusive. Elevator and escalator contracts classified as either "special" or "custom" are not addressed. Alternative sources of information such as: the Contract Folder, Technical Information Publications, Field Education Articles, Construction Letters, etc. may give the information you are after. You live in the real world of maintaining your elevator and escalator contracts. On a daily basis, situations arise regarding parts identification and at times, for some reason, the part you need is not in the SPL. If you think a standard part not listed should be—let us know. We will respond.

--

Duane Stupienski—OSC Service Engineering

Sliding Guide Shoe Assembly

14-6161R



VINTAGE Y 01			
REF. NO.	PART or ML	DESCRIPTION	
1	6161R1	Assembly, Sliding Guide Shoe, Gib, A380 BV1, 4 in. L, Plastic	
	6161R2	Assembly, Sliding Guide Shoe, Gib, A380BV2, 6 in. L, Plastic	
2	339LG1	Clip, Top and Bottom Retaining	
3	380BT1	Gib, 4 in. L, U-shape, Cast Iron	
	380BT2	Gib, 6 in. L, U-shape, Cast Iron	
4	380BV4 A380BV1	Gib, Guide Shoe, 4 in. L, Plastic	U-shape,
	380-BV2 A380BV2	Gib, Guide Shoe, 6 in. L, Plastic	Flat fold-up
5	109P15	Screw, Thread-Rolling	U-shape,
			Flat fold-up