

**3-3/4 in. Roller Guides
Types 6261A & 6261P**

**Spare Parts Leaflet
14-6261P**

September 21, 2022 / Page 1 of 10

OBSOLESCENCE NOTICE

The product covered in this SPL has been designated as obsolete and is no longer supported. See TIP 32.2-1, *Obsolete Components*, for potential upgrade. Replacement lower level parts listed within and unique to this design are not being restocked when depleted. Some of these parts, depending on availability and other factors, may be quoted through Customer Service, but most will have extended lead times and increased cost due to low volume production.

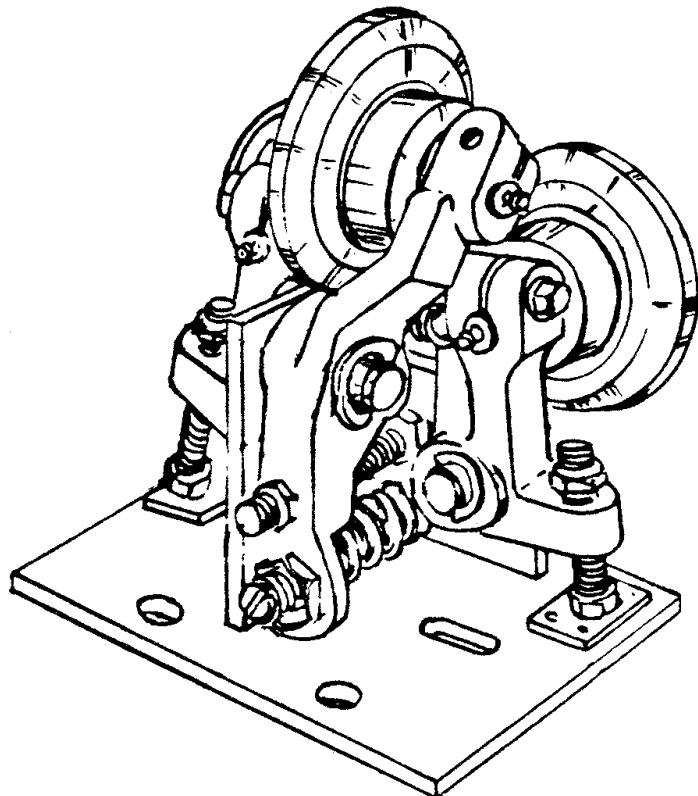
TYPES 6261A
W/O VINTAGE

6261P
W/O VINTAGE

14	A6261P	
		Y 01

14	A6261P	
		Y 02

14	A6261P	
		Y 03



OTIS

This document does not contain any technical data subject to EAR or ITAR

SERVICE ENGINEERING

Otis Elevator Company

Bloomfield, Connecticut USA

Unpublished Work—© Otis Elevator Co.; 2022

Leaflet Description

3-3/4 in. Roller Guide. This leaflet completely supersedes SPL C-1047. However, it only partially supersedes leaflets C-3033 & C-1022. Note that 6261P-type roller guides are now the direct assembly level replacement for all B6261A-type 3-3/4 in. roller guides. Spare parts for older 3-3/4 in. roller guides (B6261A) are covered on pages 8 and 9.

Leaflet Revisions

Date Revised	Subject Matter Expert	Reason for Revision
April 1998	Duane Stupienski	New SPL to match the record-changed version of this roller guide currently being sent out from Bloomington & OSC.
June 1999	Duane Stupienski	Added Vintage 03 information and bushing reaming note.
December 12, 2001	Duane Stupienski	Removed bushing as standard LRU. Added roller guide adapter on page 3.
October 10, 2012	Val Sheynkman	Added LRV roller guide shoe adapter on p.3. Added adapters AAA270CC1 and AAA270CC2.
August 1, 2018	Juan Murillo	Added reference to TIP 18.1-9; Updated document template
September 21, 2022	Juan Murillo	Updated to include OBSOLESCENCE note on cover

Related Drawings

Drawing No.	Title	Drawing No.	Title
A6261P	3-3/4 in. Roller Guide	B6261A	3-3/4 in. Roller Guide

Related Documents

Document ID	Title
SPL C-1022 (Superseded)	Roller Guides for Car and Counterweight (B6261A in part)
SPL C-1047 (Superseded)	Type (6261P) 3-3/4 in. Roller Guide
SPL C-3033	Sliding Guides & Lubricators (formerly Roller Guides)
TIP 18.1-2	Roller Guide Retrofit on 6055DH Counterweights
TIP 18.1-6	Slide to Roller Guide Adapter: 6055DR Counterweight
TIP 18.1-5	Roller Guide Lever Arm Information—Modernization
SU8-102	Order Form - Roller Guides
TIP 18.1-9	Roller Guide Rebuild Kit

Subject Matter Expert

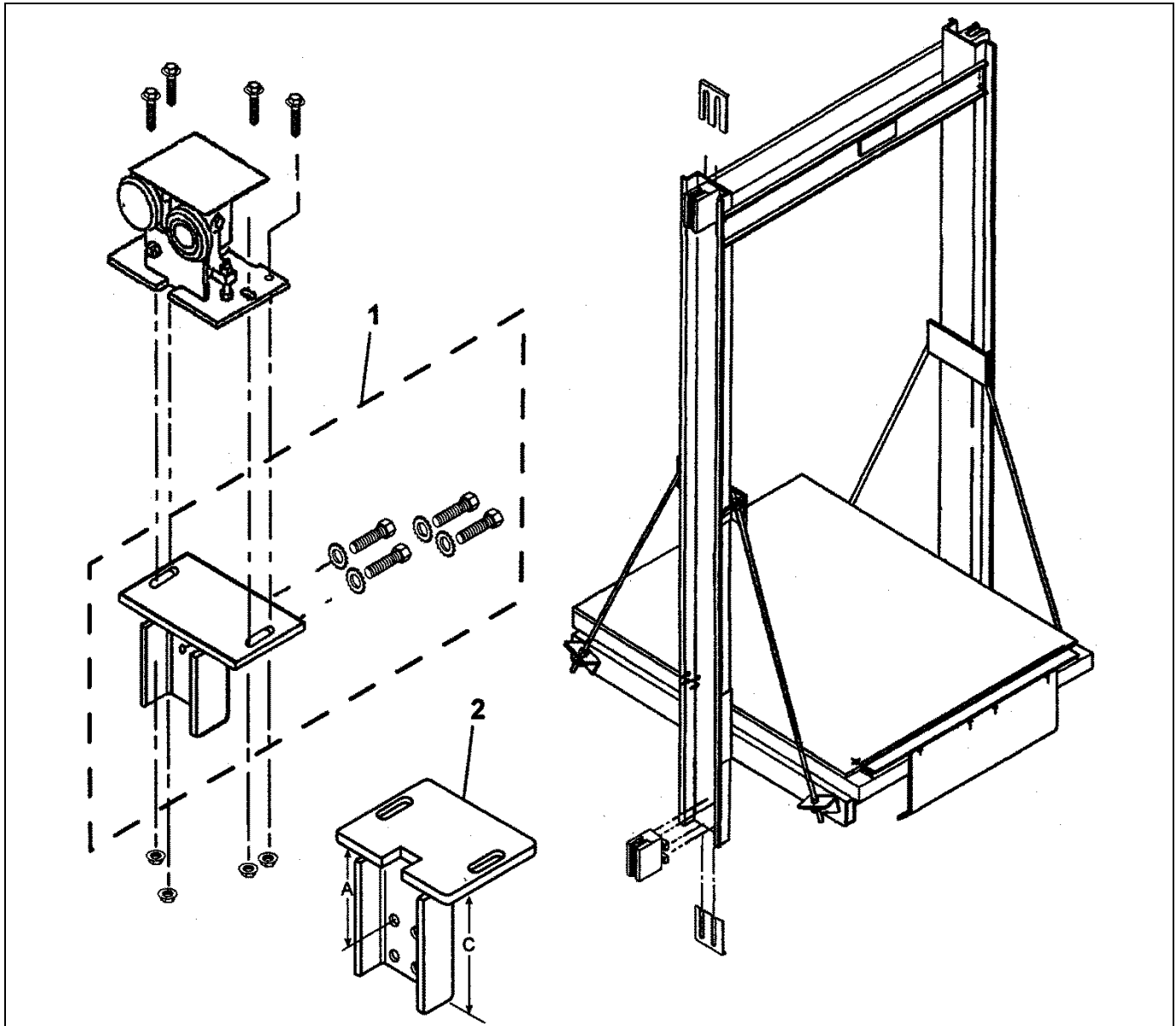
Name	Department
Juan Murillo	OSC Service Engineering

About Spare Parts Leaflets...

This document lists the lowest replaceable units (LRUs) for the standard version of the product. The LRUs are chosen by a team of Otis associates representing engineering and manufacturing. While goal of this document is to make parts identification as easy as possible, the document cannot be all-inclusive. Elevator and escalator contracts classified as “special” or “custom” are not addressed here. For such contracts, please refer to specified information, the contract folder, TIPs, Field Education Articles, Construction Letters, etc. for further information. If you have any suggestions about this document, please contact the subject matter expert listed on this page.

LRV Roller Guide Adapter

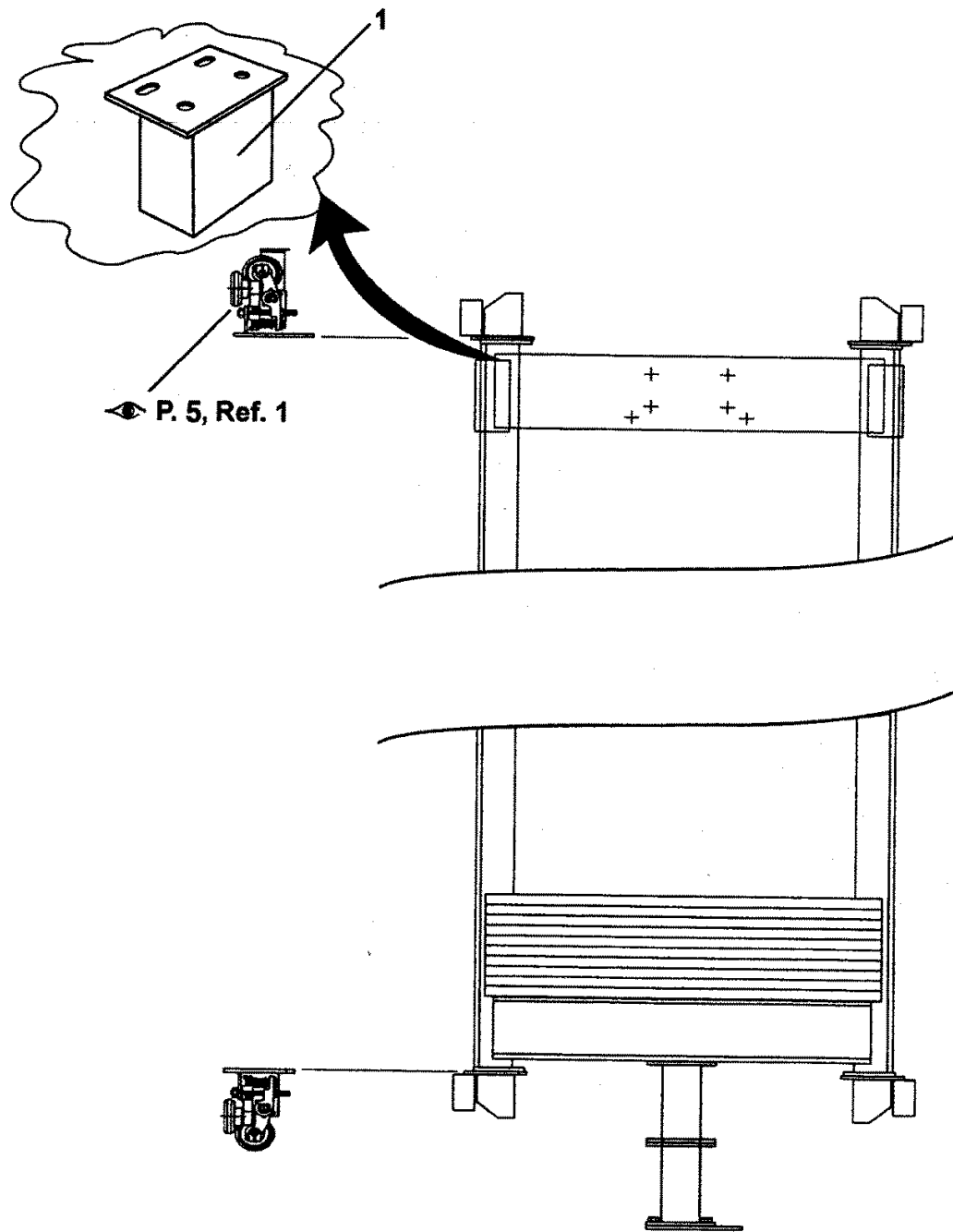
14-6261P




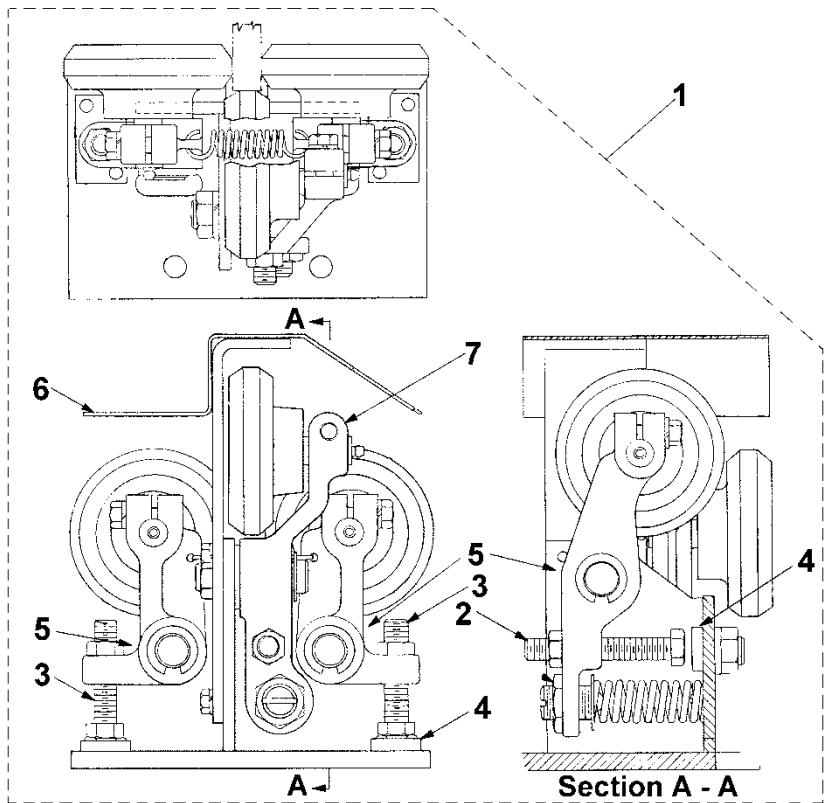
W/OVINTAGE		
REF. No.	PART No.	DESCRIPTION
1	A270AW2	Adapter, Roller Guide, LRV Pre-1993, TIP 18.1-6, Slide to Roller Guide Adapters for LRV
2	AAA270CC1	Adapter, Roller Guide, LRV, LHM, and LVM 1993-2001 (A = 2.88 in., C = 7.38 in.)
	AAA270CC2	Adapter, Roller Guide, LVM 2002-Present (A = 3.13 in., C = 7.68 in.)

Roller Guide Adapter

14-6261P



REF. No.	W/O VINTAGE PART No.	DESCRIPTION
1	AAA270CW1	Adapter, Roller Guide.  TIP 18.1-6, Slide to Roller Guide Adapter: 6055DR Counterweight



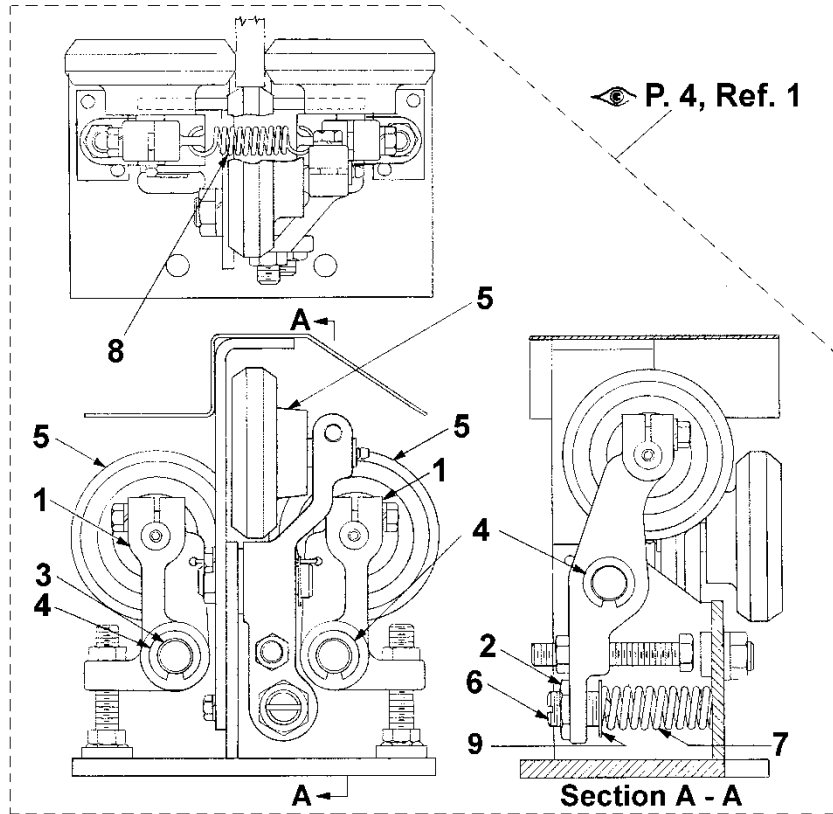
A6261P 01 Vintage Prior to Oct. 1995 Prod		
REF. No.	PART No.	DESCRIPTION
1	A6261P1	Assembly, Roller Guide Complete w/o Guard (bottom)
	A6261P4	Assembly, Roller Guide Complete w/Guard (top)
2	58AD68	Bolt, Hex Head, 1/2-13 x 4 in. L, w/Slot in End
	58XA145	Bolt, Hex Head, 1/2 in. Dia. x 2-3/4 in. L
3	58XA143	Bolt, Hex Head, 1/2 in. Dia. x 2-1/4 in. L
4	V320DA1	Bumper, Rubber Button, 7/8 in. L x 45/64 in. W
*5	---	NOTE: Bushing, 3/4 in. \odot x 7/8 in. \odot , 1-1/8 in. L (for 288LL2 Lever). (For routine service replacement of bushing in lever, choose appropriate lever w/bushing already installed, (see Ref. 7) and Ref. 1, P. 5. (TIP 18.1-5, Roller Guide Lever Arm Information--Modernization)
6	384LN1	Guard
7	288LL2	Lever, Postwise, w/Bushing

* For location only--part not shown.
NOTE: See TIP 18.1-9 for roller guide rebuild kits.

(Continued on Next Page)

A6261P 3-3/4 in. Roller Guide

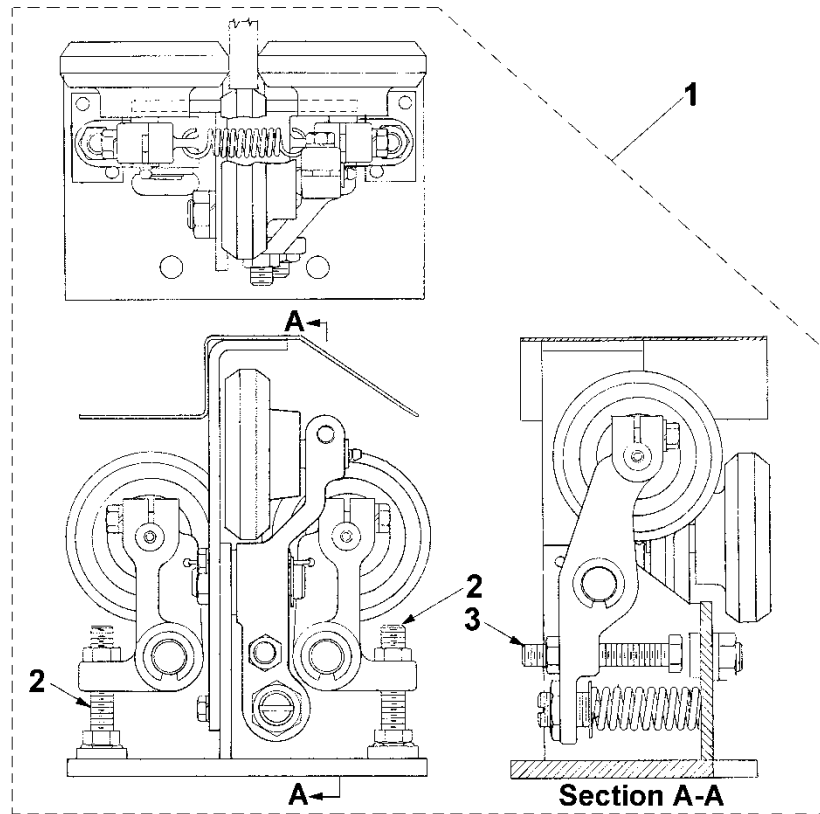
14-6261P



**A6261P
01 Vintage
Prior to Oct. 1995 Prod.**

REF. No.	PART No.	DESCRIPTION
1	288LM2	Lever, Front-Back, w/Bushing
2	67E14	Nut
3	A77TN1	Pin, 5/8-11 Thread
4	172DR3	Ring, Retaining
5	456CN4	Roller, w/Bearing (sealed), No Grease Fitting
6	124CA1	Screw, Spring Adjusting, 3/4 Thread
7	90BC12	Spring, 13/16 in. \varnothing , 13 Active Turns
8	91B19	Spring, 5/8 in. \varnothing , 1-19/32 in. L, 9 Active Turns
9	127VB31	Washer, Seat, 17/32 in. \varnothing , 1-1/4 in. \varnothing , 1/16 in. W

NOTE: See TIP 18.1-9 for roller guide rebuild kits.



**A6261P
02 Vintage &
Assemblies after
Oct. 1995 Prod.***

REF. No.	PART No.	DESCRIPTION
1	A6261P1	Assembly, Roller Guide (bottom), w/o Guard
	B6261A7 A6261P2	Assembly, Roller Guide, w/o Guard (service replacement of B6261A7 only)
	B6261A1/2/3/4/5/6 A6261P3	Assembly, Roller Guide, w/o Guard (service replacement of B6261A1 through 6 only)
	A6261P4	Assembly, Roller Guide (top), w/Guard
2	---	Bolt, Metric Hex, M12 x 55 mm
3	AAA124FW1	Bolt, Special, M12 x 100 mm

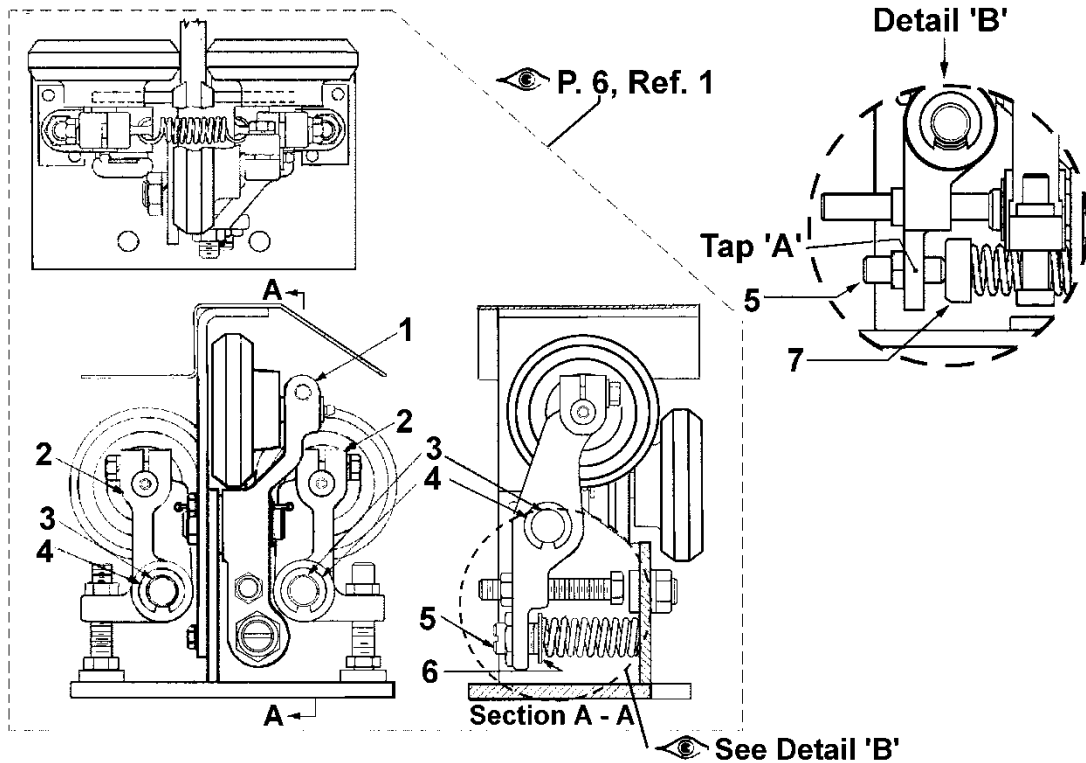
* All parts w/o reference numbers are same as Vintage 01 unless specified.

NOTE: See TIP 18.1-9 for roller guide rebuild kits.

(Continued on Next Page)

A6261P 3-3/4 in. Roller Guide (Metric)

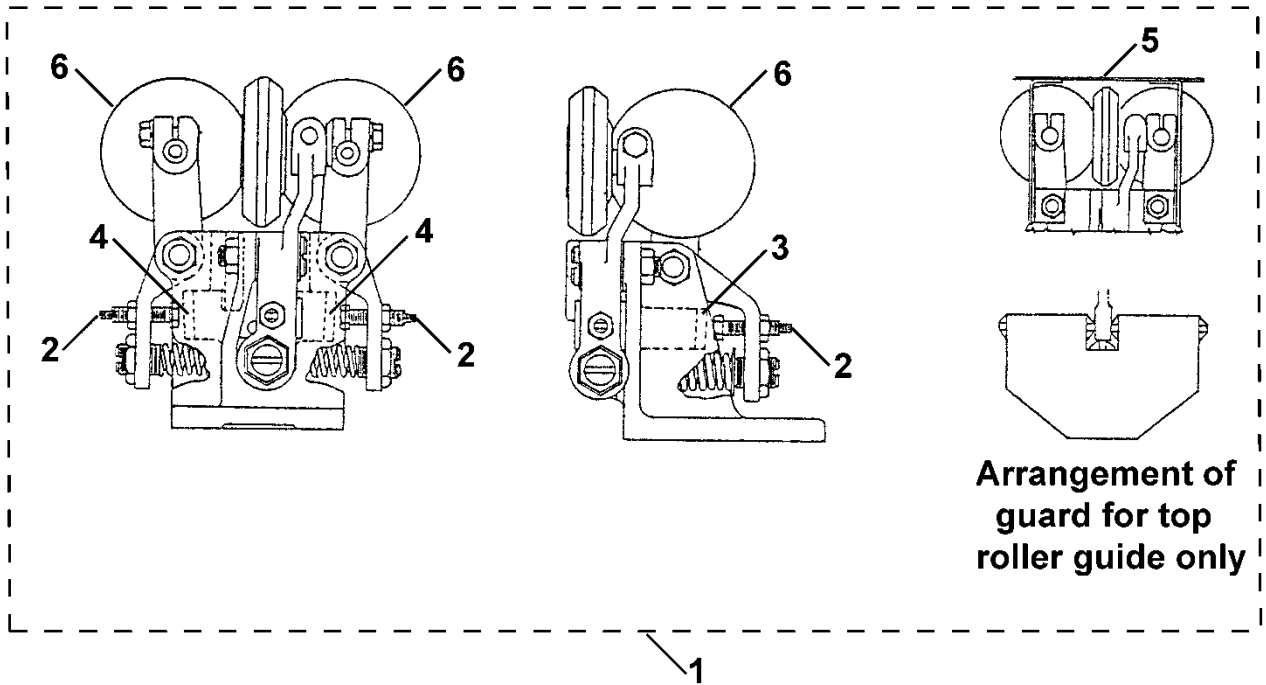
14-6261P



REF. No.	A6261P		DESCRIPTION
	02 Vintage & Assemblies after Oct. 1995 Prod.*	03 Vintage Post 2/1999	
REF. No.	PART No.	PART No.	DESCRIPTION
1	A288LL2	---	Lever, Postwise, w/Bushing – Metric Tap 'A'= M20
	---	A288LL4	Lever, Postwise, w/Bushing – Metric Tap 'A'= M12
2	A288LM2		Lever, Front-Back, w/Bushing – Metric
3	B77TN1		Pin, M16 Thread
4	172DR15		Ring, Retaining
5	A124CA1	---	Screw, Spring Adjusting, M20 Thread
	---	---	Screw, Set, Dog-Point, M12 x 1.75 in.
6	AAA127CC1		Washer
7	---	AAA444DD1	Washer, Cup

* All parts w/o reference numbers are same as Vintage 01 unless specified.

NOTE: See TIP 18.1-9 for roller guide rebuild kits.



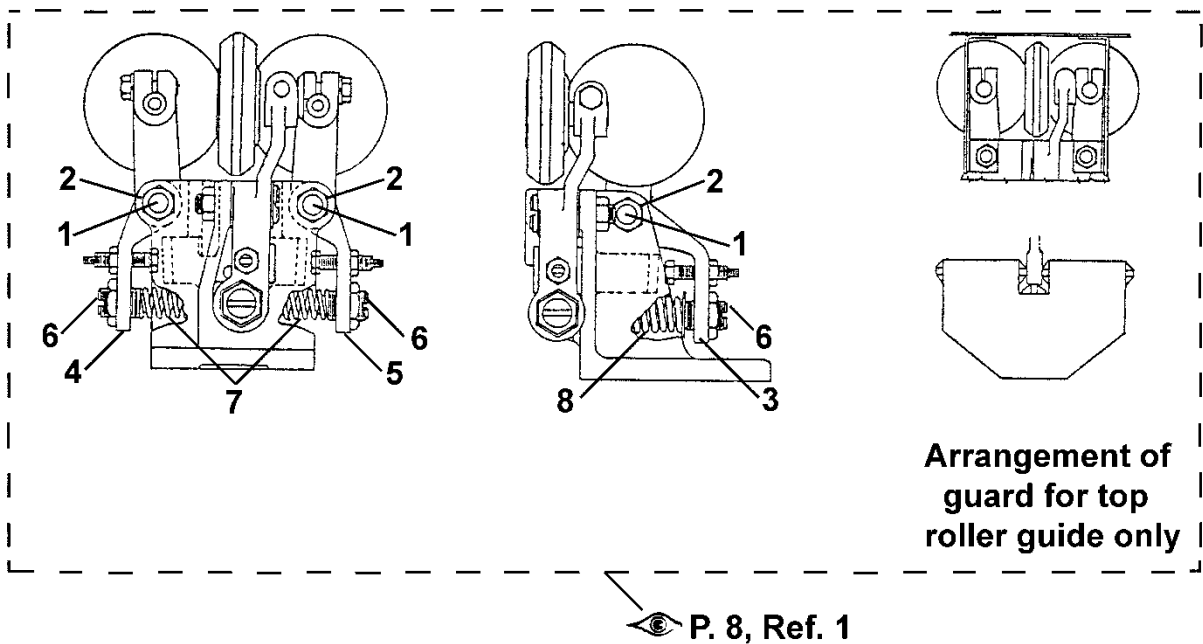
Arrangement of guard for top roller guide only

W/O VINTAGE		
REF. No.	PART No.*	DESCRIPTION
1	B6261A7 A6261P2 B6261A1/2/3/4/5/6 A6261P3	Assembly, Roller Guide (service replacement)
2	65AK1	Bolt, Hex Head, 3/8 in. Dia., 1-3/4 in. L
3	320AG1	Bumper, 1 in. W, 1-9/16 in. L, 1/4 in. W, Leather (for stand)
4	320AF1	Bumper, 1-1/4 in. Square, 1/4 in. W, Leather (for stand)
5	A384MB2	Guard
6	456AK2 456AK4	Roller w/Sealed Bearing, No Grease Fitting

* All parts are replacement parts for guides furnished since late 1939. To replace parts of previous design, always give sales or contract number and name and location of building.

NOTE: See TIP 18.1-9 for roller guide rebuild kits.

(Continued on Next Page)



W/O VINTAGE		
REF. No.	PART No.*	DESCRIPTION
1	A59J1	Bolt, 1 in. Dia. Head, 2-1/4 in. L
2**	---	Bushing. (For routine service replacement of bushing in lever, choose appropriate lever w/bushing already installed, 👁 Ref. 3-5 and TIP 18.1-5, Roller Guide Lever Arm Information--Modernization.)
3	B288HB1	Lever, w/Bushing
4	A288LC1	
5	A288LC2	
6	124CA1	Screw, Spring Adjusting
7	90MB9 90BC9	Spring, Front & Back Roller (green stripe), 9/16 in. Ⓢ, 1-13/16 in. L, 6-1/2 Active Turns, #38 (0.124 in.) M.W.
8	90FC7 90HC4	Spring, Postwise Roller (yellow stripe), 21/32 in. Ⓢ, 3 in. L, 10 Active Turns, 0.162 in. Dia. Wire

* All parts are replacement parts for guides furnished since late 1939. To replace parts of previous design, always give sales or contract number and name and location of building.

** For location only—part not shown.

NOTE: See TIP 18.1-9 for roller guide rebuild kits.