

10-in. Roller Guides

Spare Parts Leaflet

14-A6261AM

August 1, 2018 / Page 1 of 9

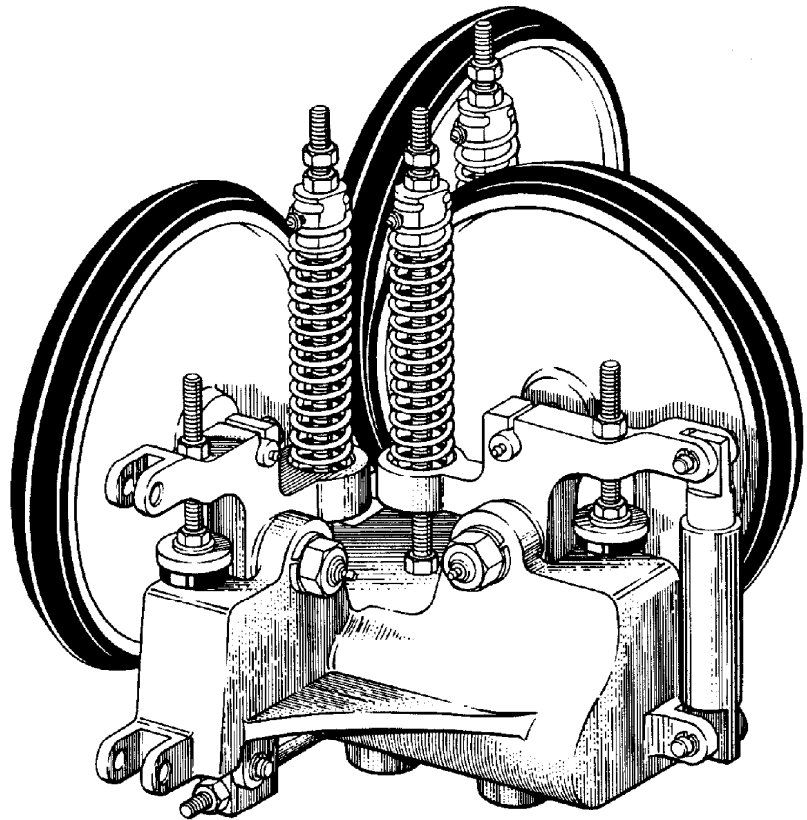
6261T
W/O VINTAGE

6261AM
W/O VINTAGE

14	6261AM	
		Y 01

14	A6261AM	
		Y 01

14	B6261AM	
		Y 01



OTIS

This document does not contain any technical data subject to EAR or ITAR

SERVICE ENGINEERING
Otis Elevator Company
Bloomfield, Connecticut USA

Unpublished Work—© Otis Elevator Co.; 2018

Leaflet Description

This 10-in. roller guide leaflet was created to break out the roller guides listed in old SPL C-3033. SPL C-3033 no longer covers any roller guides. Note that the telltale difference between 6261T type guides and 6261AM type guides is the dampener located on the postwise roller for the 6261T. Version B6261AM was released for production in January 2001.

Leaflet Revisions

Date Revised	Subject Matter Expert	Reason for Revision
April 1998	Duane Stupienski	Create new SPL to match record-changed version of roller guides currently being sent out from Bloomington & OSC
December 1, 1999	Duane Stupienski	Correct vintage tag information on p. 3-6. Add reference to A477FH1&2
December 19, 2001	Duane Stupienski	Update to include version B6261AM
August 1, 2018	Juan Murillo	Added references to TIP 18.1-5 and TIP 18.1-9; Updated document template

Related Drawings

Drawing No.	Title	Drawing No.	Title
B6261AM	10-in. Roller Guide Assemblies	6261AM	10-in. Roller Guide Assemblies
A6261AM	10-in. Roller Guide Assemblies	6261T	10-in. Roller Guide Assemblies

Related Documents

Document ID	Title
SPL C-3033	Sliding Guides, Lubricators
SPL 14-6261AD	4-7/8 in. Roller Guides
TIP 18.1-5	Roller Guide Lever Arm Information—Modernization
TIP 18.1-9	Roller Guide Rebuild Kits

Subject Matter Expert

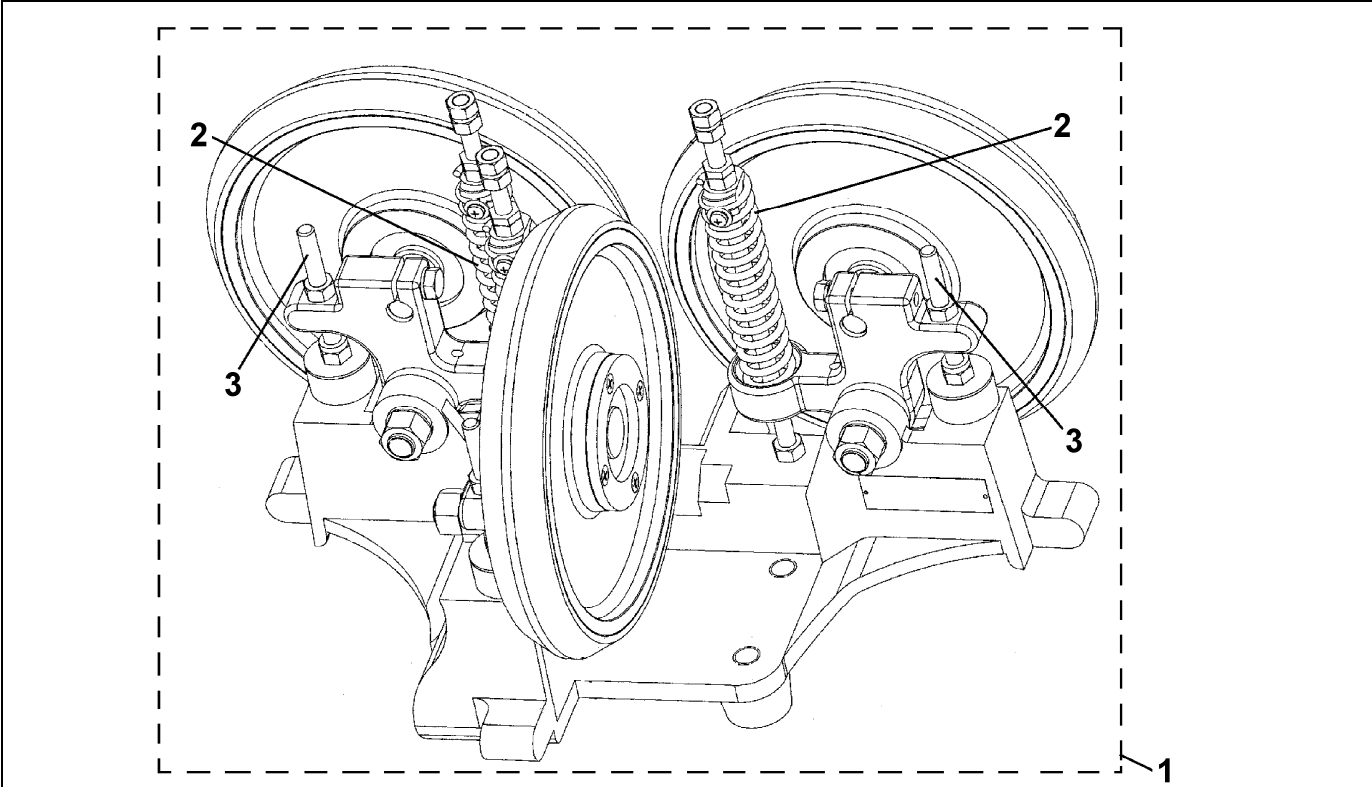
Name	Department
Juan Murillo	OCS Service Engineering

About Spare Parts Leaflets...

This document lists the lowest replaceable units (LRUs) for the standard version of the product. The LRUs are chosen by a team of Otis associates representing engineering and manufacturing.

While goal of this document is to make parts identification as easy as possible, the document cannot be all-inclusive. Elevator and escalator contracts classified as “special” or “custom” are not addressed here. For such contracts, please refer to specified information, the contract folder, TIPs, Field Education Articles, Construction Letters, etc. for further information.

If you have any suggestions about this document, please contact the subject matter expert listed on this page.



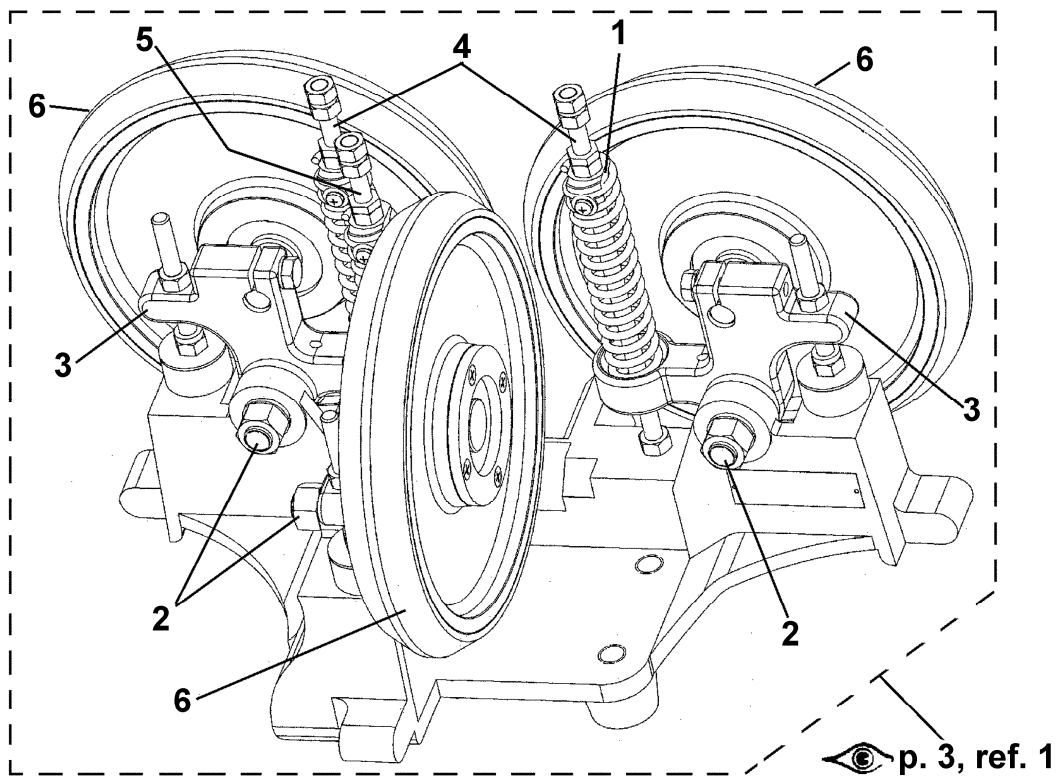
All Vintages of Type 6261AM and Type 6261T

NOTE: Early production errors for the A6261AM version guide had some assemblies shipped with incorrect vintage tags. Verify guide vintage by looking at roller type on p. 4 & 6, ref. 6.

REF. No.	PART No.	DESCRIPTION	RAIL SIZE	POSITION
1	B6261AM1	Assembly, Roller Guide	3/4	Top
	B6261AM2			Bottom
	B6261AM3		1	Top
	B6261AM4			Bottom
	B6261AM5		1/2	Top
	B6261AM6			Bottom
	B6261AM7		OA	Top
	B6261AM8			Bottom
2	90BM1	Spring	---	---
3	A477FH1	Stop, 3/8 Thread (early production only)	---	---
	A477FH2	Stop, M10 Metric Thread	---	---

NOTE: See TIP 18.1-9 for roller guide rebuild kits.

(Continued on next page)



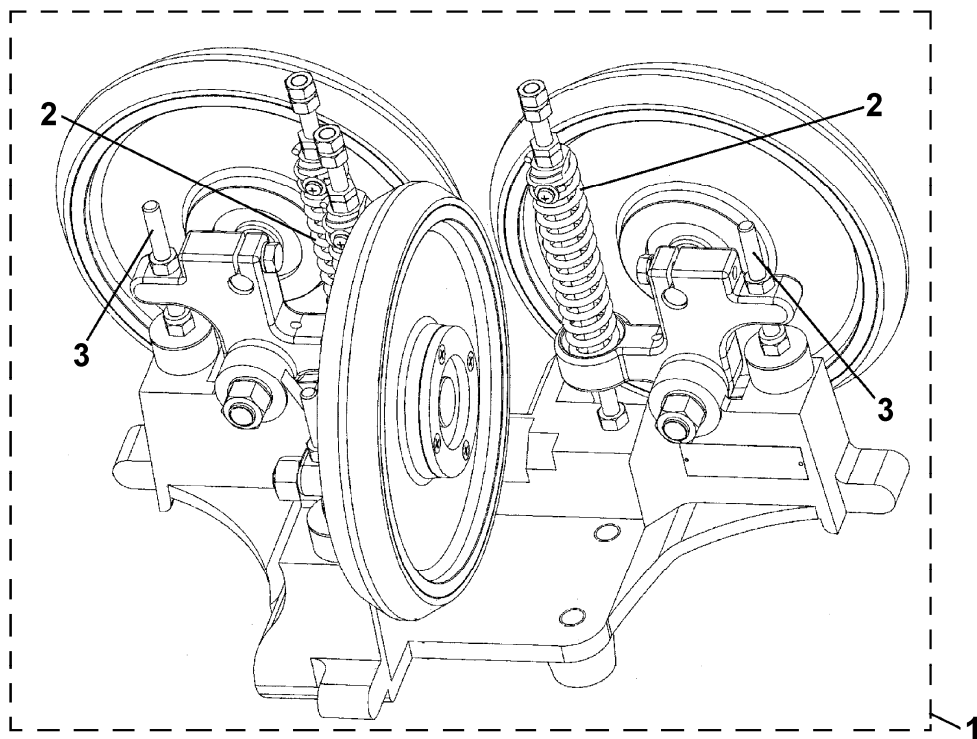
B6261AM
A6261AM
VINTAGE Y 01

NOTE: Early production errors for the A6261AM version guide had some assemblies shipped with incorrect vintage tags. Verify guide vintage by looking at roller type on p. 4 & 6, ref. 6.

REF. No.	PART No.	DESCRIPTION	RAIL SIZE
1	149AG4	Anchor, Spring	---
2	A59BR2	Bolt, Pivot (M16)	---
*	384LS1	Guard (for top roller guides only)	---
3	288TF4	Lever	3/4 & 1
	288TF6		OA & 1/2
4	AAA96AAA10	Rod, 10-5/8 in. L (Front-Back)	---
5	AAA96AAA11	Rod, 12-5/8 in. L (Postwise)	---
6	AAA456ACH1	Roller	---


* For reference only. Part not shown.

NOTE: See TIP 18.1-9 for roller guide rebuild kits.



6261AM
W/O VINTAGE &
VINTAGE Y 01

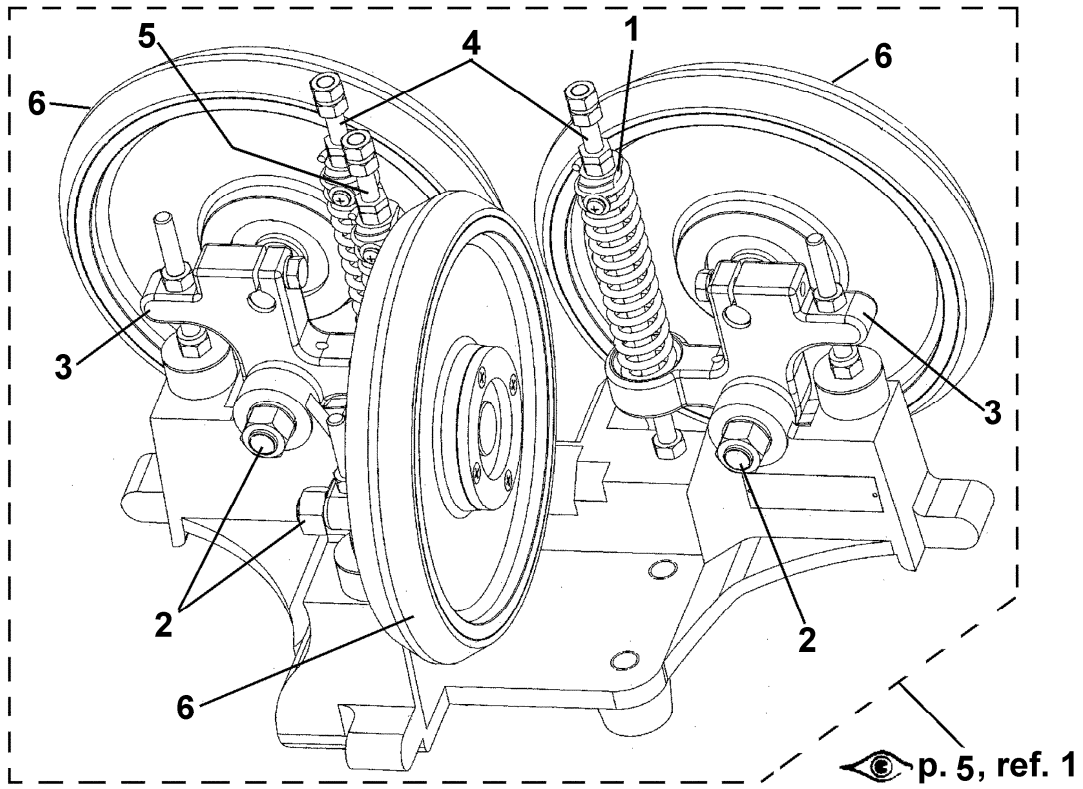
NOTE: Verify guide vintage and version by looking at roller type p. 4 & 6, ref. 6.

REF. No.	PART No.	DESCRIPTION	RAIL SIZE	POSITION
1	6261AM1	Assembly, Roller Guide (For all rail sizes,  p. 3 for ordering type B6261AM roller guides.)	3/4	Top
	6261AM2			Bottom
	6261AM3		1	Top
	6261AM4			Bottom
	6261AM5		1/2	Top
	6261AM6			Bottom
	6261AM7		OA	Top
	6261AM8			Bottom
*	384LS1	Guard (for top roller guides only)	---	---
2	90BM1	Spring	---	---
3	A477FH1	Stop, 3/8 Thread (early production only)	---	---

* For reference only. Part not shown.

NOTE: See TIP 18.1-9 for roller guide rebuild kits.

(Continued on next page)

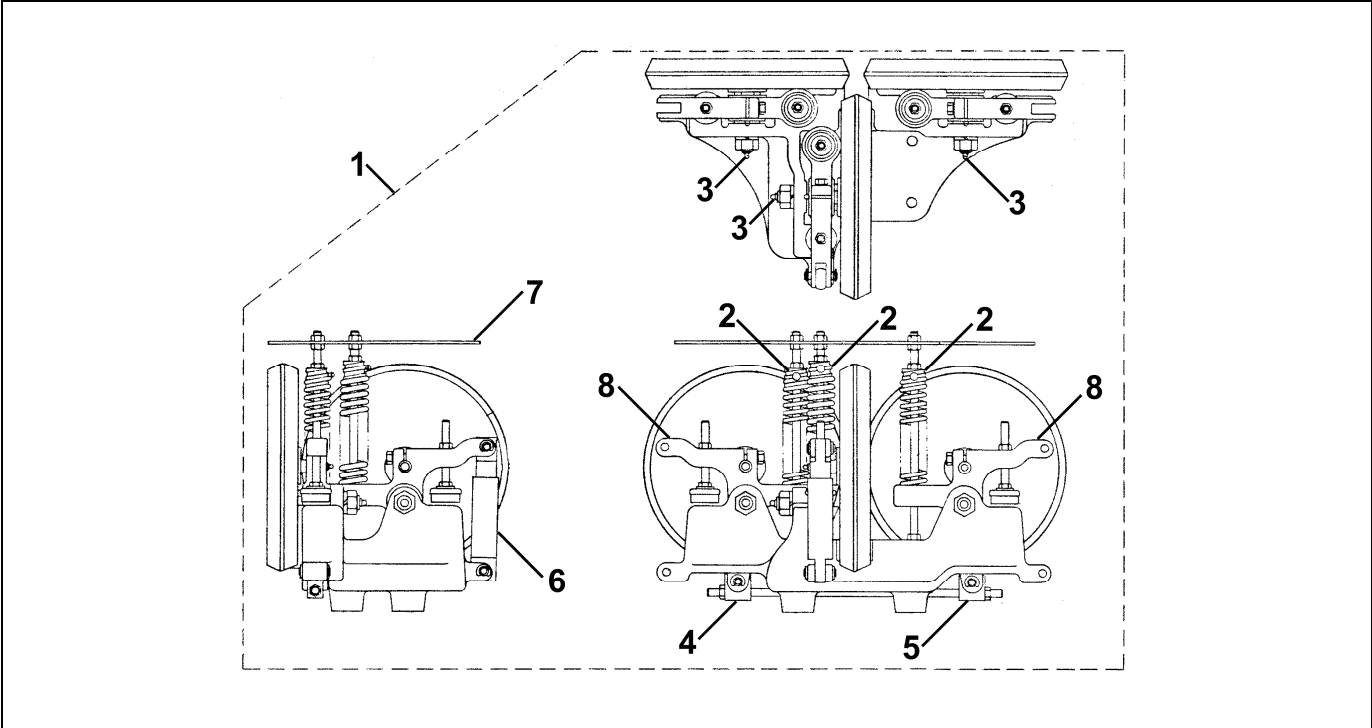


6261AM
VINTAGE Y 01

NOTE: Verify guide vintage and version by looking at roller type on p. 4 & 6, ref. 6.

REF. No.	PART No.	DESCRIPTION
1	149AG2	Anchor, Spring
2	A59BR1	Bolt
3	288TF2	Lever
4	96H191	Rod, 10-5/8 in. L (Front-Back)
5	96H192	Rod, 12-5/8 in. L (Postwise)
6	456CV4	Roller

NOTE: See TIP 18.1-9 for roller guide rebuild kits.

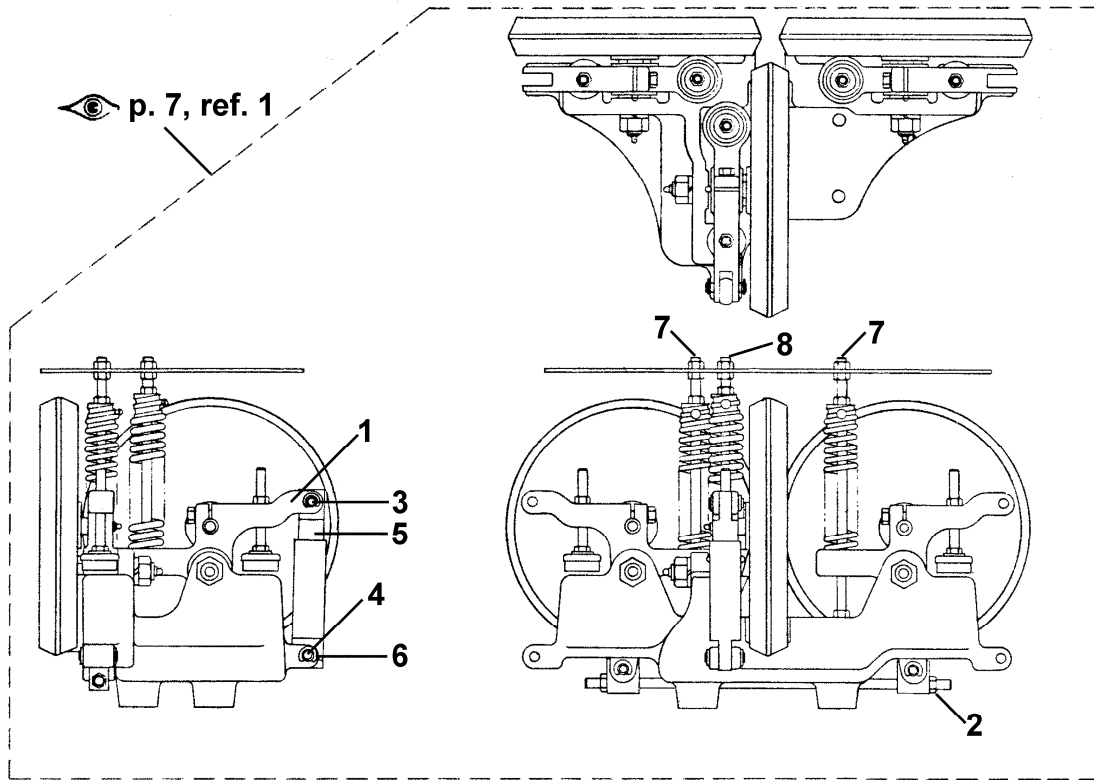


6261T W/O VINTAGE				
REF. No.	PART No.	DESCRIPTION	RAIL SIZE	POSITION
1	6261T1	Assembly, Roller Guide (For all rail sizes, p. 3 for ordering type B6261AM roller guides.)	---	---
	6261AM3		1	Top
	6261AM4			Bottom
	6261T2		---	---
	6261AM1		3/4	Top
	6261AM2			Bottom
2	149AG2	Anchor, Spring	---	---
*3	59BR2	Bolt, Hex Head, 7/8 in. , w/Grease Fitting	---	---
4	310HL1	Block	---	---
5	310HL2	Block	---	---
6	350AX1	Cylinder	---	---
7	384LS1	Guard	---	---
8	288LN2	Lever	---	---

* To use oil lubrication on this old 10-in. guide, levers (ref. 8 on this page & ref. 1 on p. 8) must be drilled (7/32) and wicks (p/n 488H1) added. Only then can pins (p/n A59BR1) be used.


NOTE: See TIP 18.1-9 for roller guide rebuild kits.

(Continued on next page)



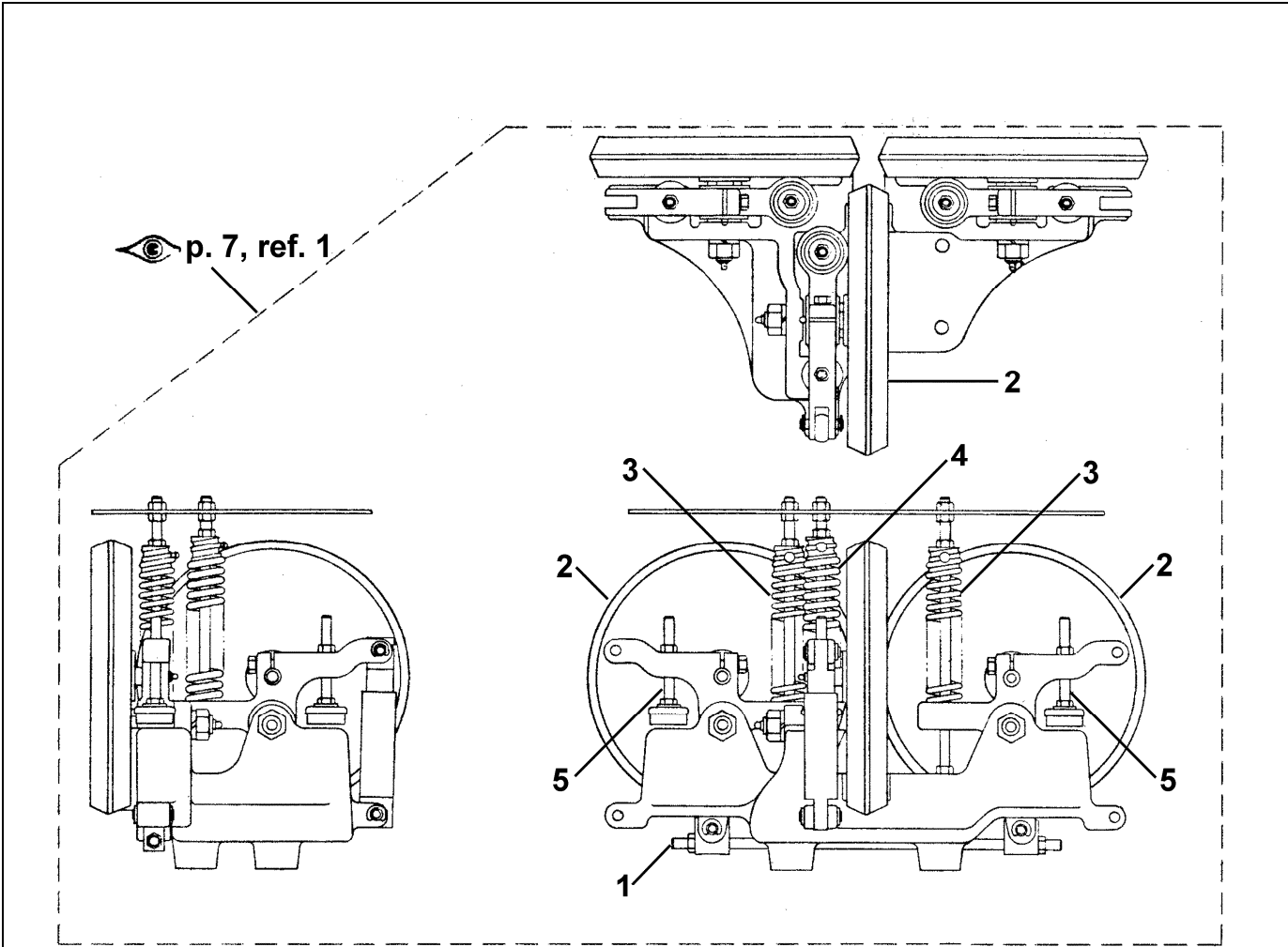
6261T
 PROD. 1962-1985
 W/O VINTAGE

REF. No.	PART No.	DESCRIPTION
1	288LN4	Lever
2	68H1	Nut, Fin, 3-16/8 in.  Threads
3	77JP7	Pin, 1-1/4 in. L
4	77JP8	Pin, 1-1/2 in. L
5	442AN2	Piston
6	172DR4	Ring, Retaining
7	96H191	Rod, 10-5/8 in. L
8	96H192	Rod, 12-5/8 in. L

* To use oil lubrication on this old 10-in. guide, levers (ref. 8 on p. 7 & ref. 1 on this page) must be drilled (7/32 ) and wicks (p/n 488H1) added. Only then can pins (p/n A59BR1) be used.

NOTE: See TIP 18.1-9 for roller guide rebuild kits.

(Continued on next page)



6261T PROD. 1962-1985 W/O VINTAGE		
REF. No.	PART No.	DESCRIPTION
1	96BY1	Rod, 14-1/2 in. L x 3/8 ⌀
2	456CV4	Roller w/Bearing
3	90BM1	Spring, 6 in. L, 15-1/2 Active Turns
4	90BN1	Spring, 29/32 in., 6 in. L, 15 Active Turns
5	477EE1	Stop, 4 in. L

NOTE: See TIP 18.1-9 for roller guide rebuild kits.