

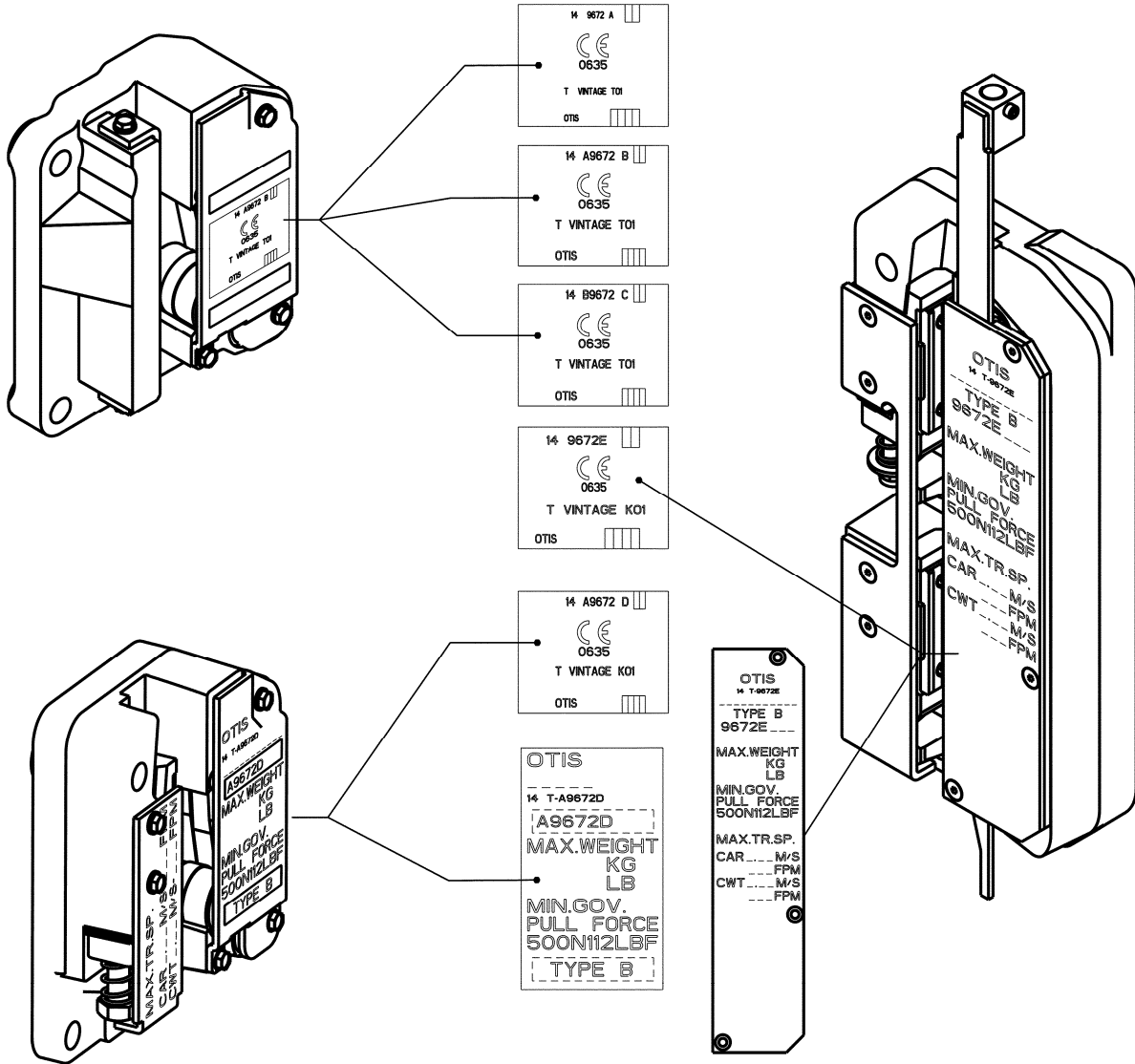
9672 Progressive Safety

Spare Parts Leaflet

14-A9672D

April 2003 / Page 1 of 13

This SPL was originally issued by Otis Spain as 14-...9672...



OTIS

Safety First!

**Otis Engineering Center
Madrid
Otis Elevator Company**

Leaflet Description

Spare parts information about 9672 progressive safety line, used for lubricated and dry rail.

Leaflet Revisions

Date Revised	Subject Matter Expert	Reason for Revision
April 2003	L. Marti	New Arrangement, for GeN2 R2 ED NSAA.

Related Drawings

Drawing No.	Title	Drawing No.	Title
---	---	---	---

Related Documents

Document ID	Title
---	---

Subject Matter Expert

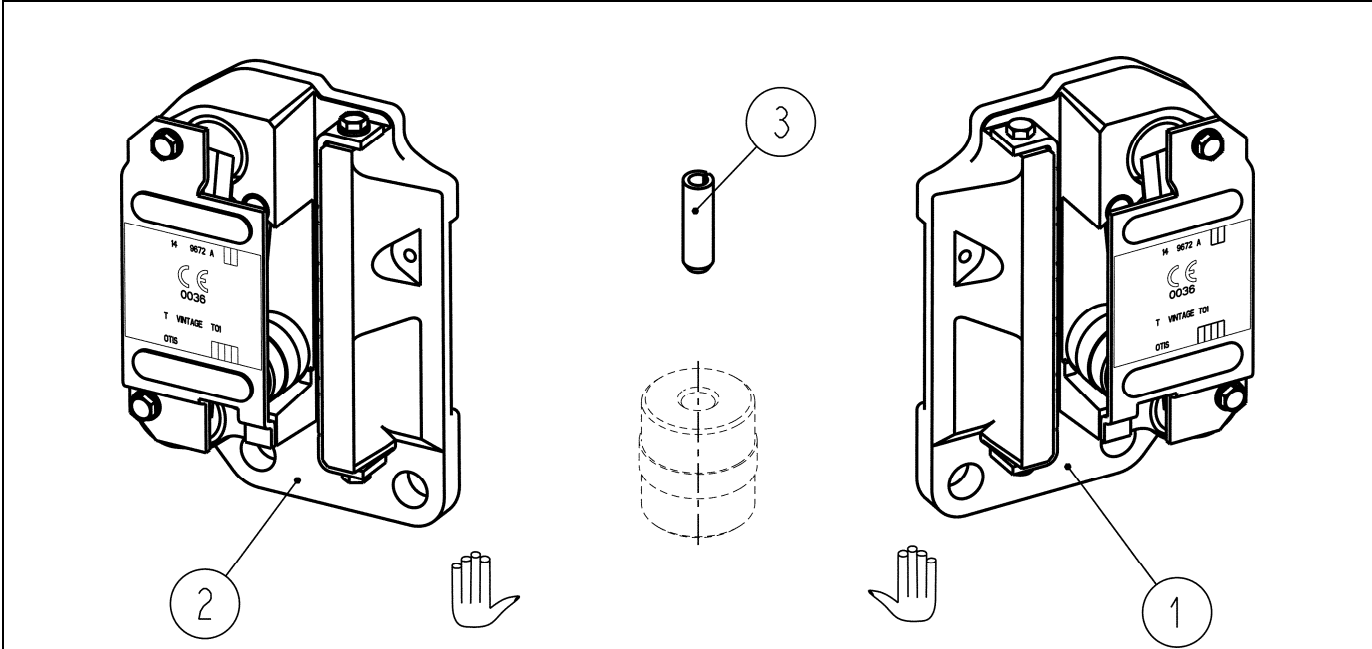
Name	Department
L. Marti	OEC-Madrid

About Spare Parts Leaflets...

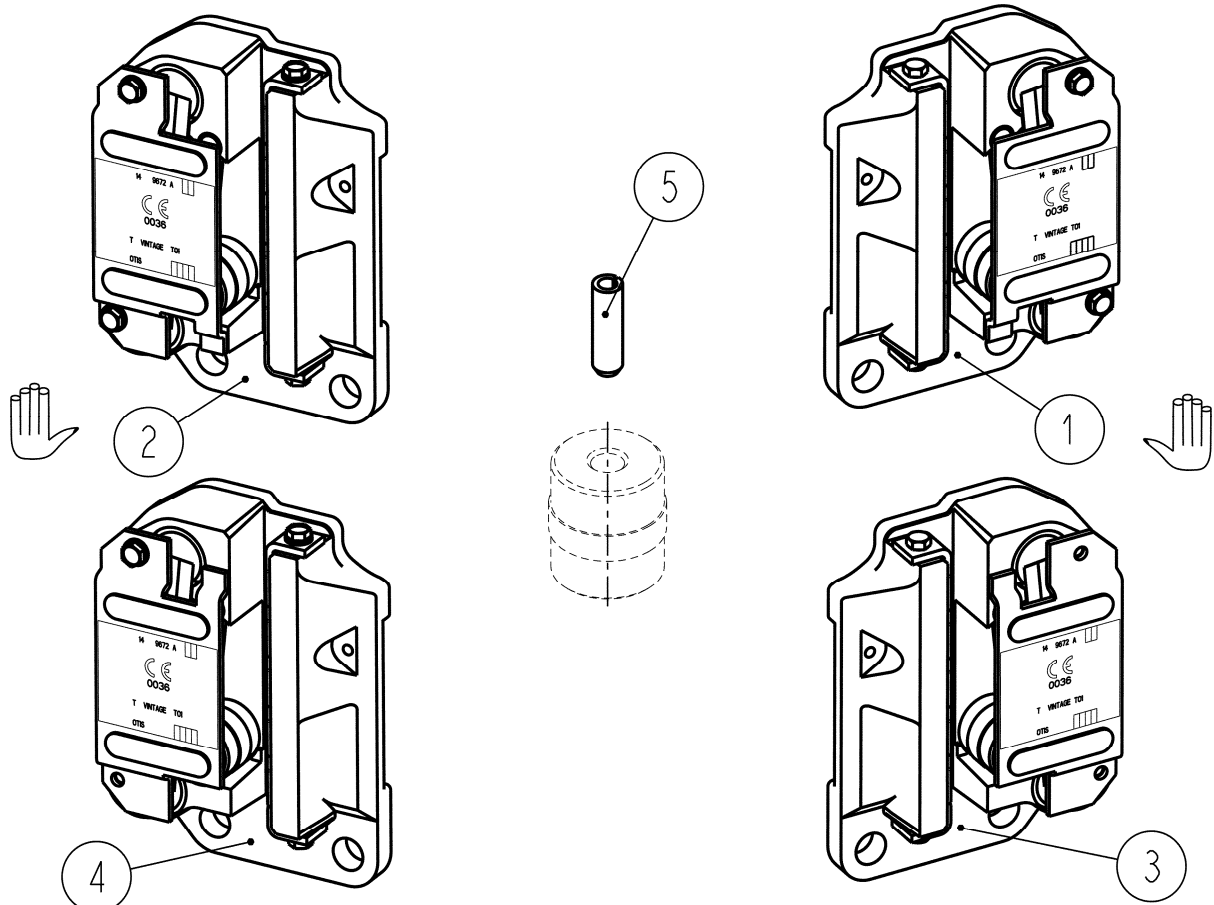
This document lists the lowest replaceable units (LRUs) for the standard version of the product. The LRUs are chosen by a team of Otis associates representing engineering and manufacturing.

While goal of this document is to make parts identification as easy as possible, the document cannot be all-inclusive. Elevator and escalator contracts classified as "special" or "custom" are not addressed here. For such contracts, please refer to specified information, the contract folder, TIPS, Field Education Articles, Construction Letters, etc. for further information.

If you have any suggestions about this document, please contact the subject matter expert listed on this page.

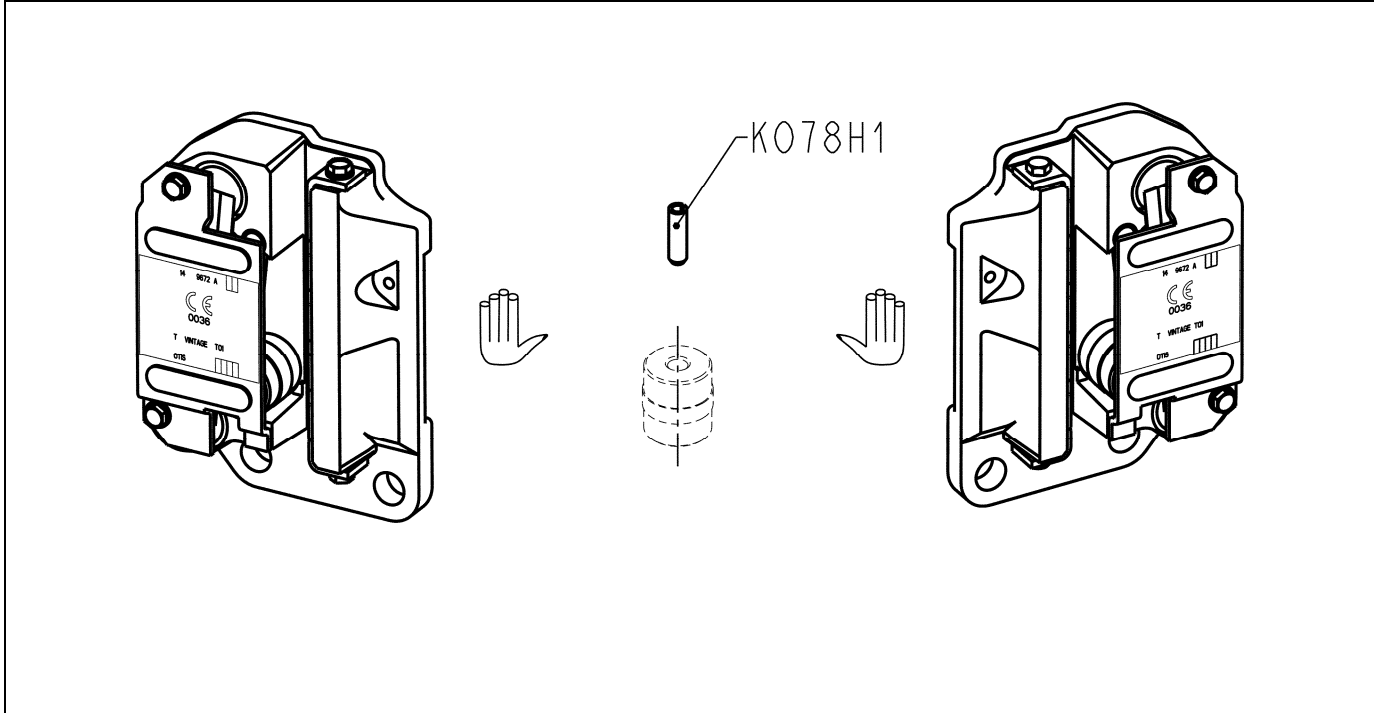


T VINTAGE T01		
REF. No.	PART No.	DESCRIPTION
1	9672A1	RH Safety; Only for Tripping Linkage Upper or Lateral
	9672A2	
	9672A3	
	9672A4	
2	9672A5	LH Safety; Only for Tripping Linkage Upper or Lateral
	9672A6	
	9672A7	
	9672A8	
1	9672A17	RH Safety; Only for Tripping Linkage Upper or Lateral
	9672A18	
	9672A19	
	9672A20	
2	9672A21	LH Safety; Only for Tripping Linkage Upper or Lateral
	9672A22	
	9672A23	
	9672A24	
3	KO78H1	Pin (for safety above)



T VINTAGE T01

REF. No.	PART No.	DESCRIPTION
1	9672A33	RH Safety; Only for Tripping Linkage Upper or Lateral
2	9672A34	LH Safety; Only for Tripping Linkage Upper or Lateral
1	9672A35	RH Safety; Only for Tripping Linkage Upper or Lateral
2	9672A36	LH Safety; Only for Tripping Linkage Upper or Lateral
1	9672A37	RH Safety; Only for Tripping Linkage Upper or Lateral
2	9672A38	LH Safety; Only for Tripping Linkage Upper or Lateral
1	9672A40	RH Safety; Only for Tripping Linkage Upper or Lateral
2	9672A41	LH Safety; Only for Tripping Linkage Upper or Lateral
3	9672A104	RH Safety; Only for Tripping Linkage Upper or Lateral
4	9672A108	LH Safety; Only for Tripping Linkage Upper or Lateral
4	9672A135	RH Safety; Only for Tripping Linkage Upper or Lateral
4	9672A136	LH Safety; Only for Tripping Linkage Upper or Lateral
5	KO78H1	Pin (for safety above)

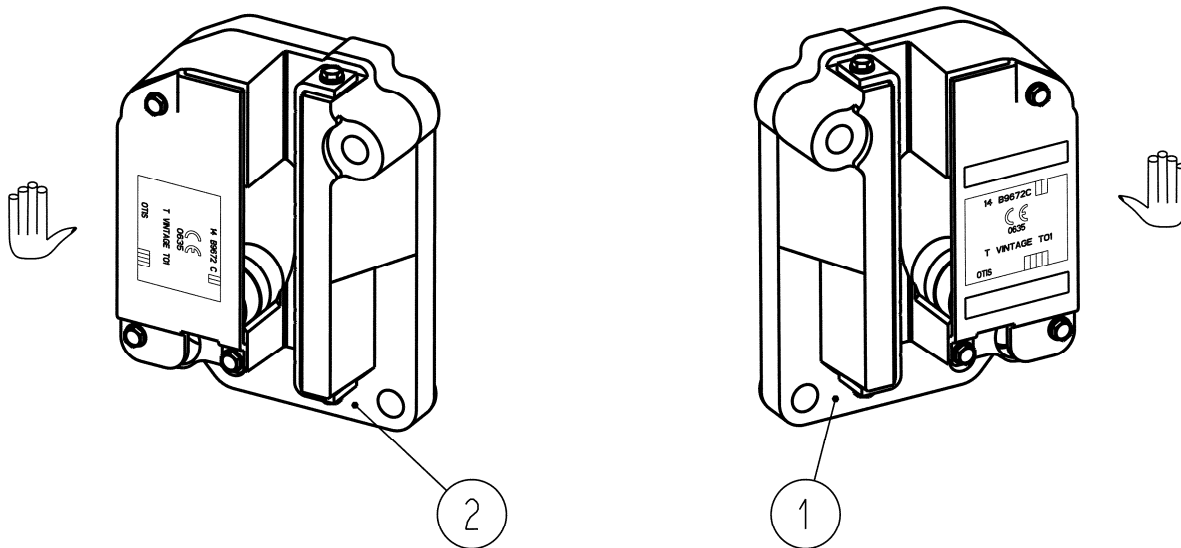


SERIAL KO1	1984	=	VINTAGE TO1	
9672A1-A8		=	9672A1-A8	
9672A9			9672A1	
9672A10			9672A2	
9672A11			9672A3	
9672A12			9672A4	
9672A13			9672A5	+ KO78H1
9672A14			9672A6	
9672A15			9672A7	
9672A16			9672A8	
9672A17-A24			9672A17-A24	
9672A25			9672A17	
9672A26			9672A18	
9672A27			9672A19	
9672A28			9672A20	+ KO78H1
9672A29			9672A21	
9672A30			9672A22	
9672A31			9672A23	
9672A32		9672A24		
9672A33-A34		9672A33-A34		



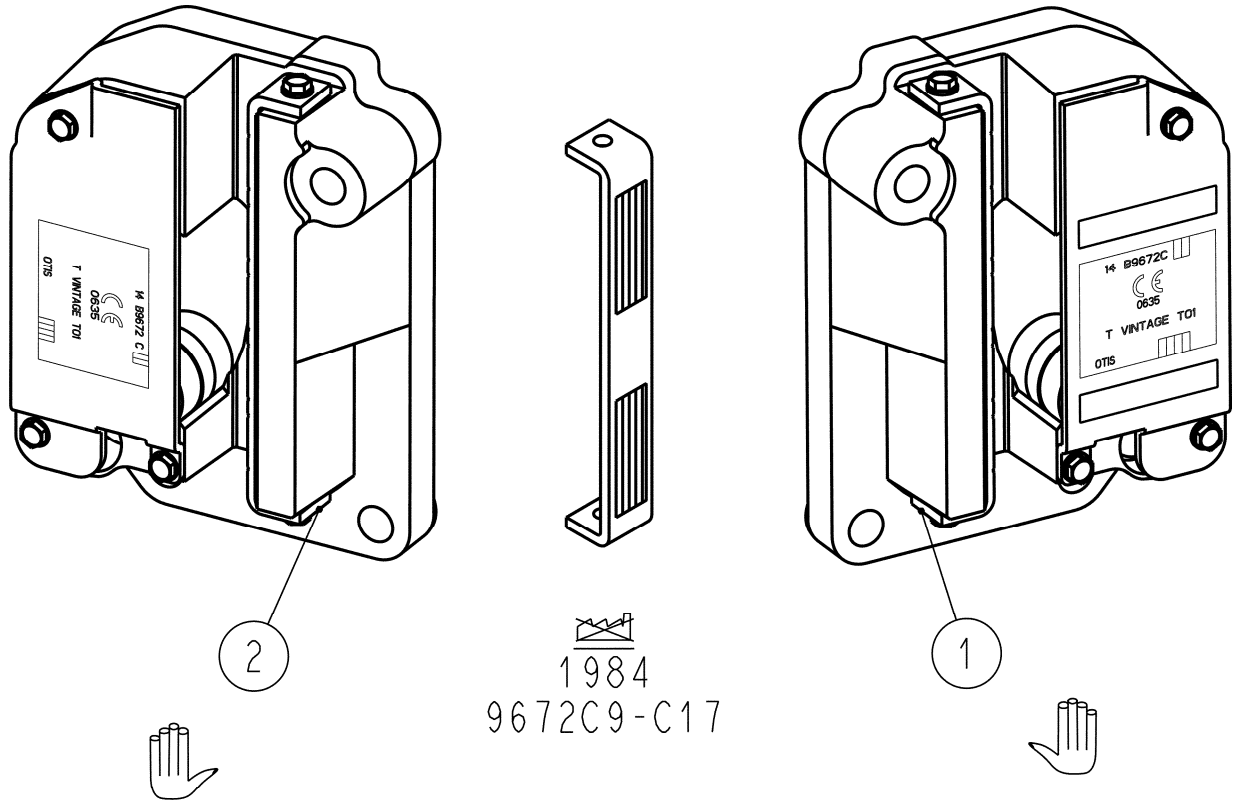
SERIAL KO1 1986	=	VINTAGE T01
9672B1	=	A9672B1
9672B2		A9672B2
9672B3		A9672B3
9672B4		A9672B4
9672B5		A9672B5
9672B6		A9672B6
9672B7		A9672B7
9672B8		A9672B8
9672B9		A9672B9
9672B10		A9672B10

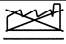
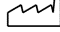
T VINTAGE T01		
REF. No.	PART No.	DESCRIPTION
1	A9672B1	RH Safety
	A9672B2	
	A9672B3	
	A9672B4	
2	A9672B5	LH Safety
	A9672B6	
	A9672B7	
	A9672B8	
1	A9672B9	RH Safety
2	A9672B10	LH Safety

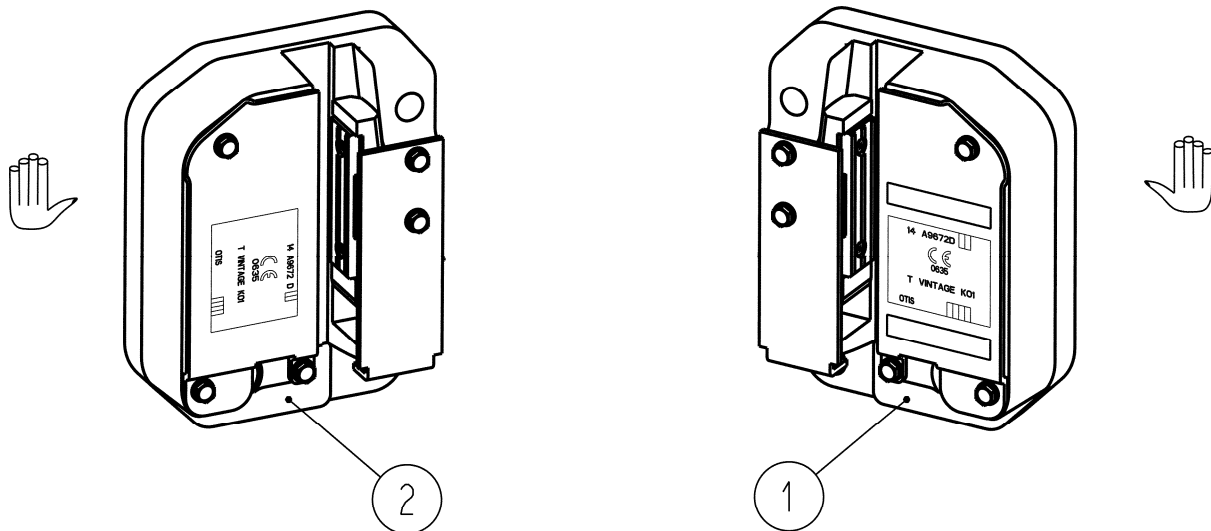


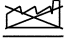
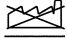
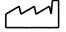
SERIAL KO1 1984	=	SERIAL KO1 1986	=	SERIAL KO1 1990	=	VINTAGE TO1
9672C1	=	A9672C1	=	B9672C1	=	B9672C11
9672C2		A9672C2		B9672C2		B9672C12
9672C3		A9672C3		B9672C3		B9672C13
9672C4		A9672C4		B9672C4		B9672C14
9672C5		A9672C5		B9672C5		B9672C15
9672C6		A9672C6		B9672C6		B9672C16
9672C7		A9672C7		B9672C7		B9672C17
9672C8		A9672C8		B9672C8		B9672C18

		T VINTAGE TO1		
REF. No.	PART No.	DESCRIPTION		
1	B9672C11	RH Safety		
	B9672C12			
	B9672C13			
	B9672C14			
2	B9672C15	LH Safety		
	B9672C16			
	B9672C17			
	B9672C18			

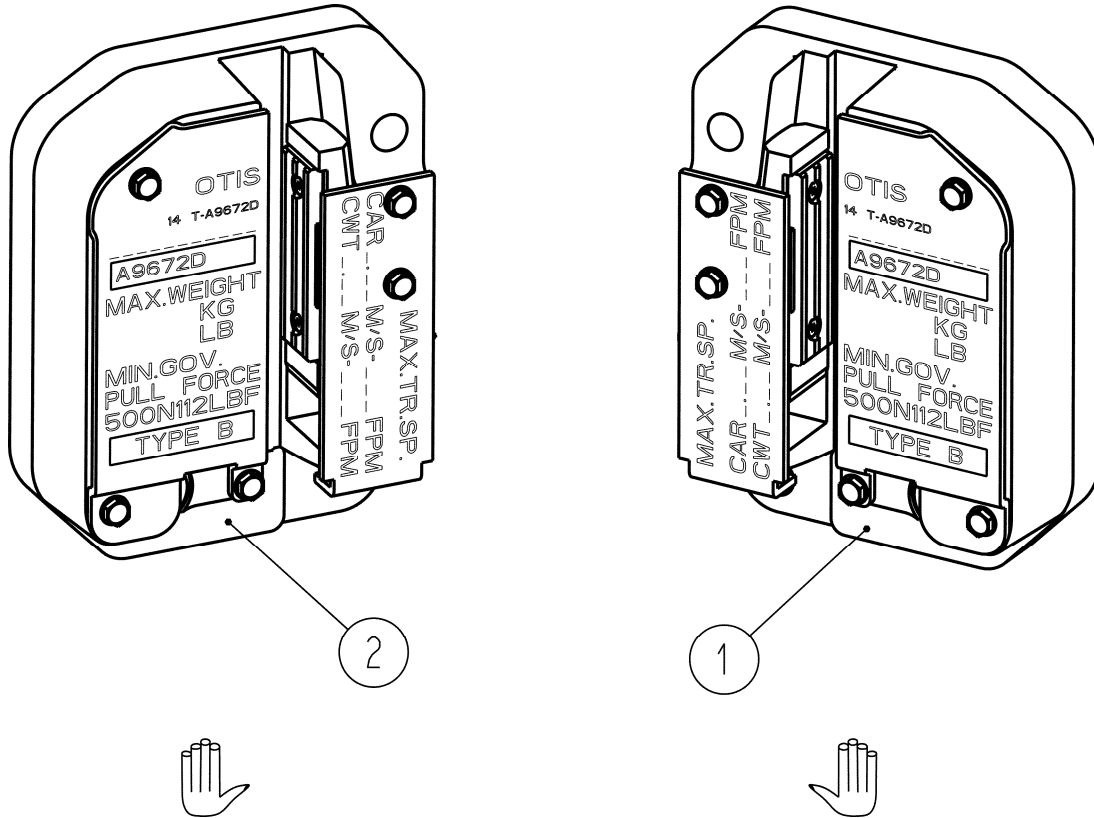


	SERIAL KO1  1984	=	VINTAGE KO1 
REF. No	PART No		PART No
1	9672C9	=	A9672D11
	9672C10		A9672D13
	9672C11		A9672D14
	9672C12		A9672D15
2	9672C14	=	A9672D16
	9672C15		A9672D18
	9672C16		A9672D19
	9672C17		A9672D20

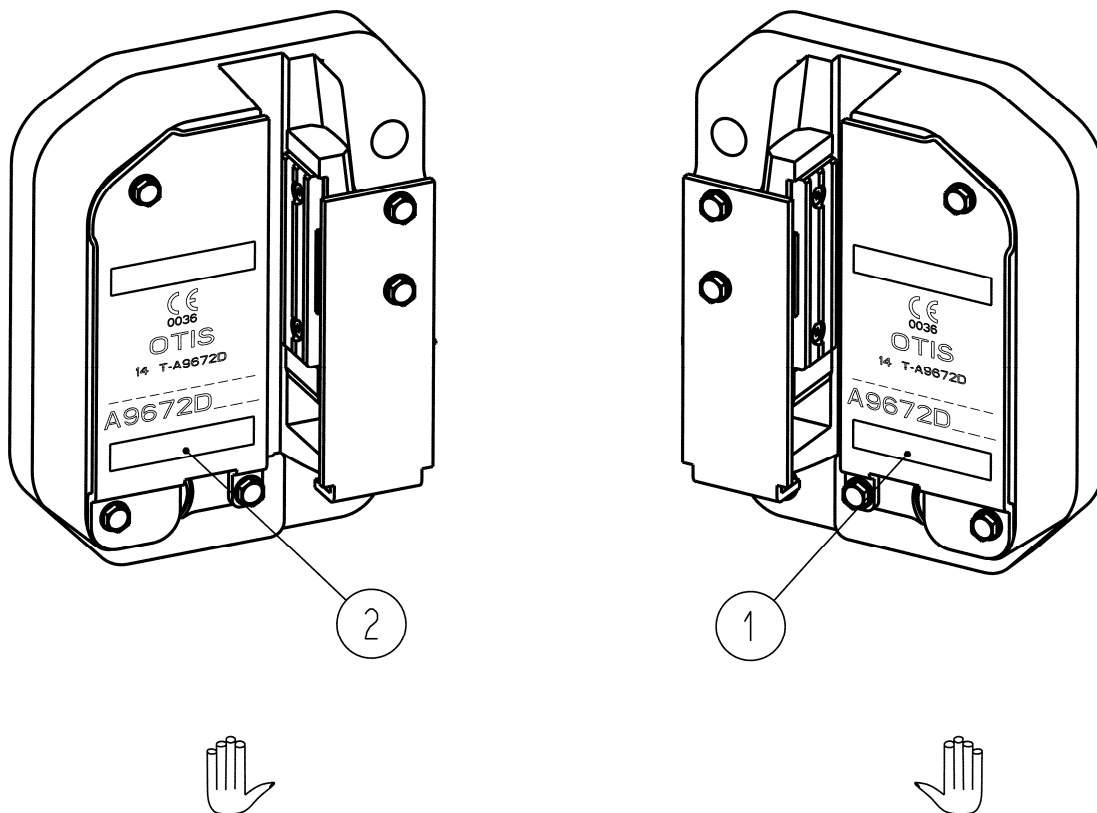


SERIAL KO1  1986	=	SERIAL KO1  1990	=	VINTAGE KO1 
9672D1	=	A9672D1	=	A9672D11
9672D2		A9672D2		A9672D13
9672D3		A9672D3		A9672D14
9672D4		A9672D4		A9672D15
9672D5		A9672D5		A9672D16
9672D6		A9672D6		A9672D18
9672D7		A9672D7		A9672D19
9672D8		A9672D8		A9672D20
9672D9		A9672D9		
9672D10		A9672D10		

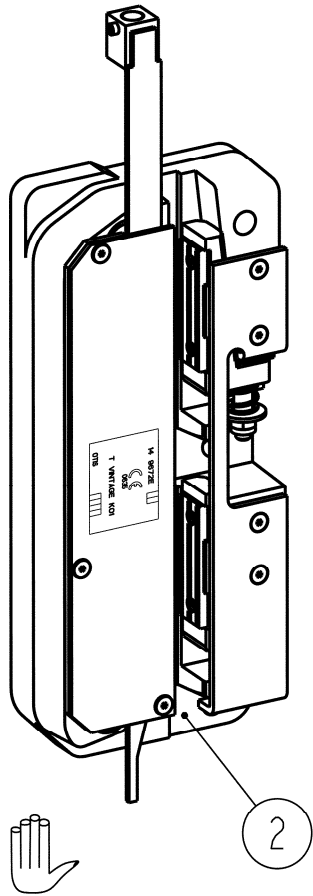
T VINTAGE T01		
REF. No.	PART No.	DESCRIPTION
1	A9672D11	RH Safety
	A9672D13	
	A9672D14	
	A9672D15	
2	A9672D16	LH Safety
	A9672D18	
	A9672D19	
	A9672D20	

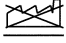
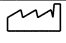


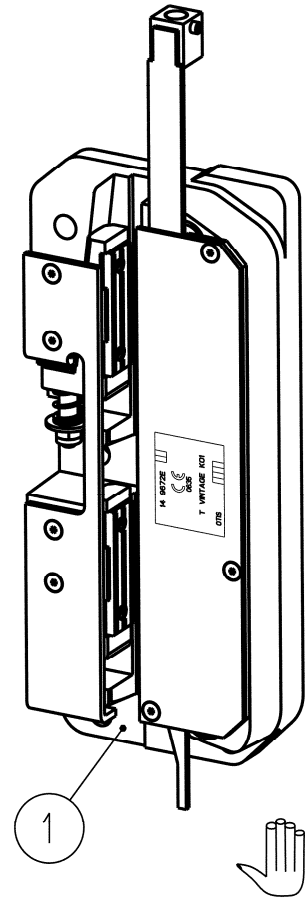
14 T-A9672D		
REF. No.	PART No.	DESCRIPTION
1	A9672D101	RH Safety
	A9672D102	
	A9672D120	
2	A9672D111	LH Safety
	A9672D112	
	A9672D130	



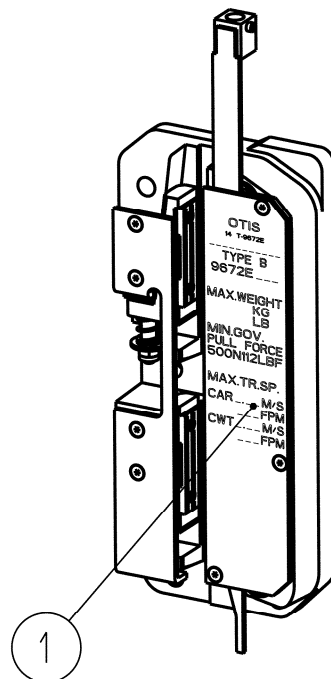
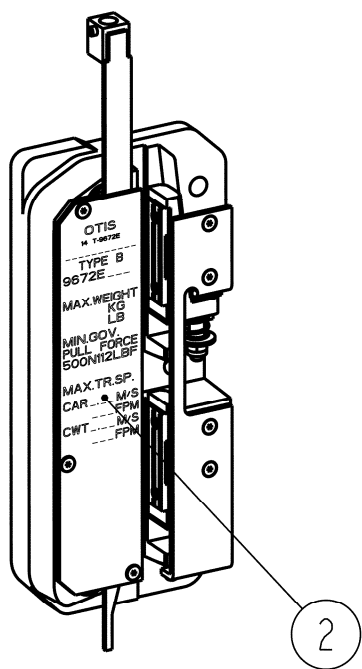
14 T-A9672D		
REF. No.	PART No.	DESCRIPTION
1	A9672D201	RH Safety
	A9672D206	
	A9672D207	
2	A9672D211	LH Safety
	A9672D216	
	A9672D217	



SERIAL K01 	=	VINTAGE K01 
9672E1		9672E11
9672E2		9672E12
9672E3		9672E13
9672E4		9672E14
9672E5		9672E15
9672E6		9672E16
9672E7	=	9672E17
9672E8		9672E18
9672E9		9672E19
9672E10		9672E20
YY9672E11		9672E21
YY9672E13		9672E23



T VINTAGE K01		
REF. No.	PART No.	DESCRIPTION
1	9672E11	RH Safety
	9672E12	
	9672E13	
	9672E14	
2	9672E15	LH Safety
	9672E16	
	9672E17	
	9672E18	
1	9672E19	RH Safety
2	9672E20	LH Safety
1	9672E21	RH Safety
2	9672E23	LH Safety



T-9672E		
REF. No.	PART No.	DESCRIPTION
1	9672E100	RH Safety
	9672E101	
	9672E102	
	9672E108	
2	9672E110	LH Safety
	9672E111	
	9672E112	
	9672E118	