

**Gen2® Extended Duty
Carframe Assembly**

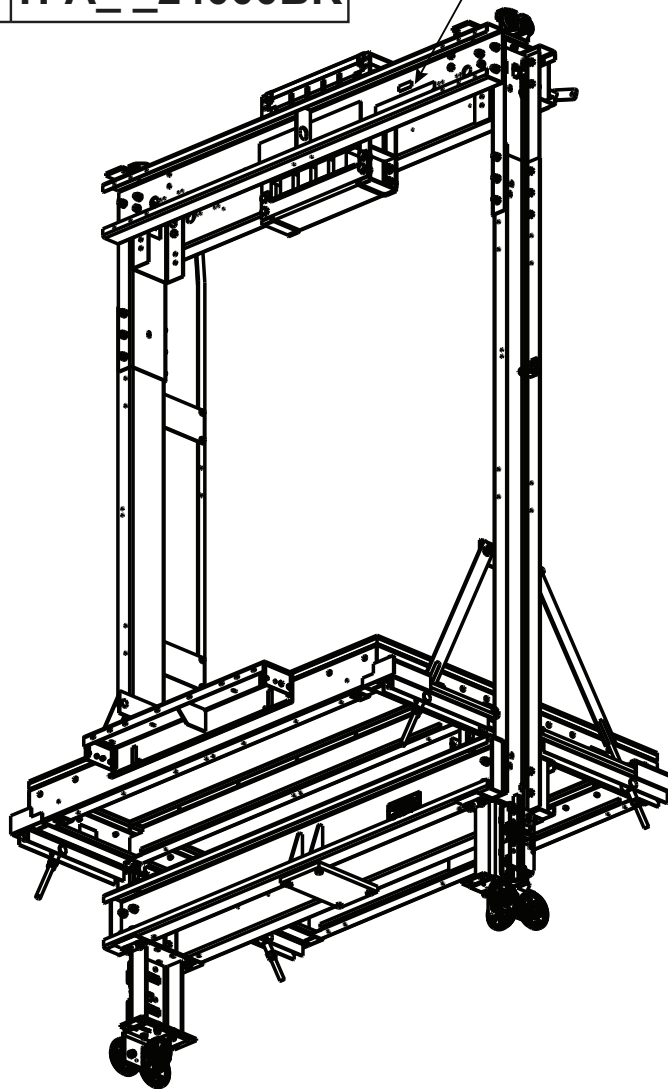
Spare Parts Leaflet

14-AAA24000BK

April 30, 2014/ Page 1 of 10

W/O VINTAGE

14 H-A_ _24000BK



OTIS

SERVICE ENGINEERING
Otis Elevator Company
Bloomfield, Connecticut USA

Unpublished Work—© Otis Elevator Co.; 2014

Leaflet Description

The SPL describes the lowest replaceable parts for the AAA2400BK carframe used on the extended duty Gen2® system.

Leaflet Revisions

Date Revised	Subject Matter Expert	Reason for Revision
September 20, 2005	Troy Chicoine	New SPL
June 10, 2007	Troy Chicoine	Changed page 6 and added SPL 17-AAA24270F reference for load cell and isolation pad.
July 21, 2010	Brian Mierzejewski	Updated page 7 with ACA2400BK isolation assembly information.
May 11, 2011	Rich Blakelock	Added vintage tag info; updated lift rod length.
April 9, 2014	Kyle Pereira	Added pages 9 and 10
April 30, 2014	Kyle Pereira	Corrected measurements information on pages 3 and 4

Related Drawings

Drawing No.	Title	Drawing No.	Title
AAA2400BK ABA2400BK	Arrangement and Assembly; Gen2 Carframe and Platform	AAA24270F	Load Cell Assembly
AAA24220Q	Arrangement and Assembly; Gen2 Platform	AAA24240G	Platform Sound Insulation, Spacer Assembly
AAA2400BJ	Arrangement and Assembly; Roller Guides and Carframe	AAA24150G	Crosshead Sub-Assembly Gen2 Carframe
AAA24120AG	Safety Subassembly, Gen2 Carframe	AAA24150K ABA24150K	Crosshead Sub-Assembly Gen2 Carframe
AAA24120BE	Safety Subassembly, Gen2 Carframe	AAA24150J ABA24150J	Crosshead Sub-Assembly Gen2 Carframe

Related Documents

Document ID	Title
SPL 14-A9672D	Progressive Safety
SPL 14-AAA24180AW	Roller Guide Car and Counterweight, 76 mm (3 in.) Diameter
SPL 14-AAA24180AX	Roller Guide Car and Counterweight, 160 mm (6.30 in.) Diameter
SPL 14-AAA24060T	2:1 Carframe Hitch Assembly Gen2 System (counterweight at rear)
SPL 14-AAA24060U	2:1 Carframe Hitch Assembly Gen2 System (counterweight at side)
SPL 17-AAA24270F	Loadweighing Transducer Assemblies
SPL 17-AAA24240G	Platform Sound Insulation, Spacer Assembly
SPL 14-KAA24120AAJ	PS45A Progressive Safety ASME A17.1 Applications

Subject Matter Expert

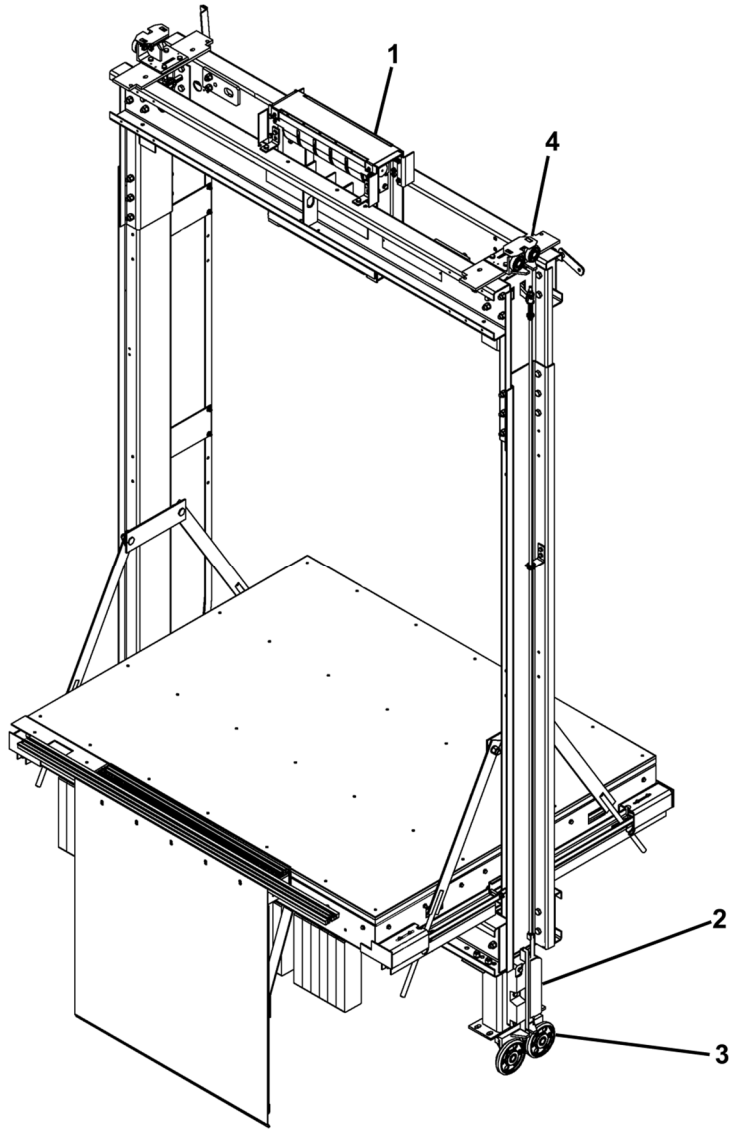
Name	Department
Kyle Pereira	OSC Service Engineering

About Spare Parts Leaflets...

This document lists the lowest replaceable units (LRUs) for the standard version of the product. The LRUs are chosen by a team of Otis associates representing engineering and manufacturing.

While goal of this document is to make parts identification as easy as possible, the document cannot be all-inclusive. Elevator and escalator contracts classified as “special” or “custom” are not addressed here. For such contracts, please refer to specified information, the contract folder, TIPS, Field Education Articles, Construction Letters, etc. for further information.

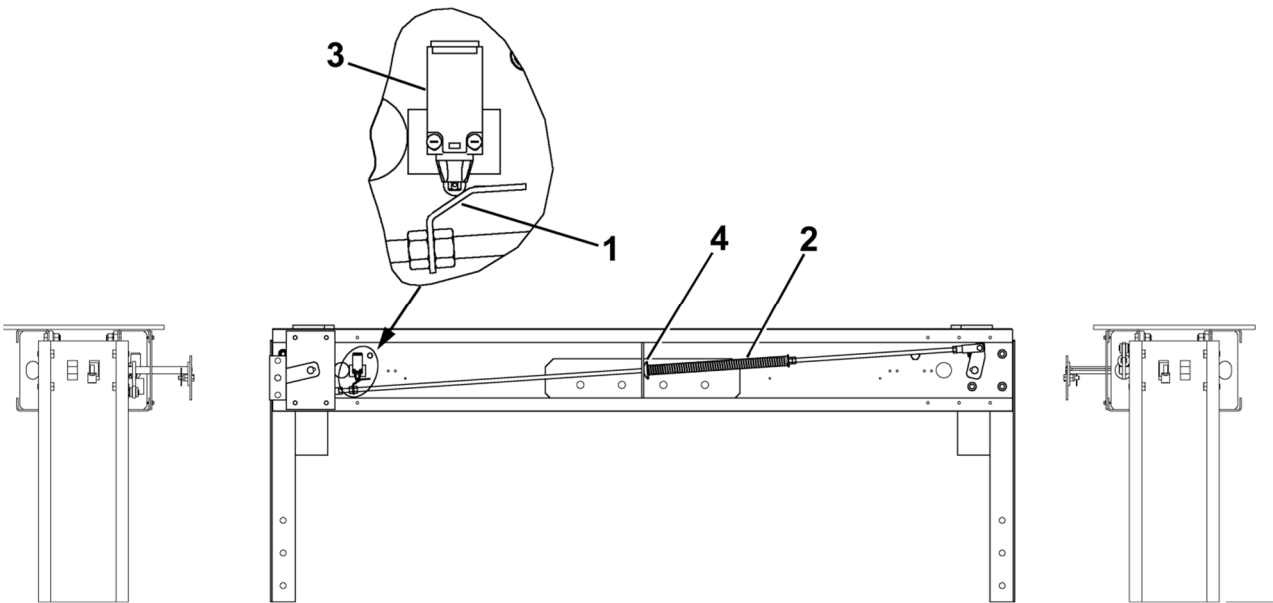
If you have any suggestions about this document, please contact the subject matter expert listed on this page.



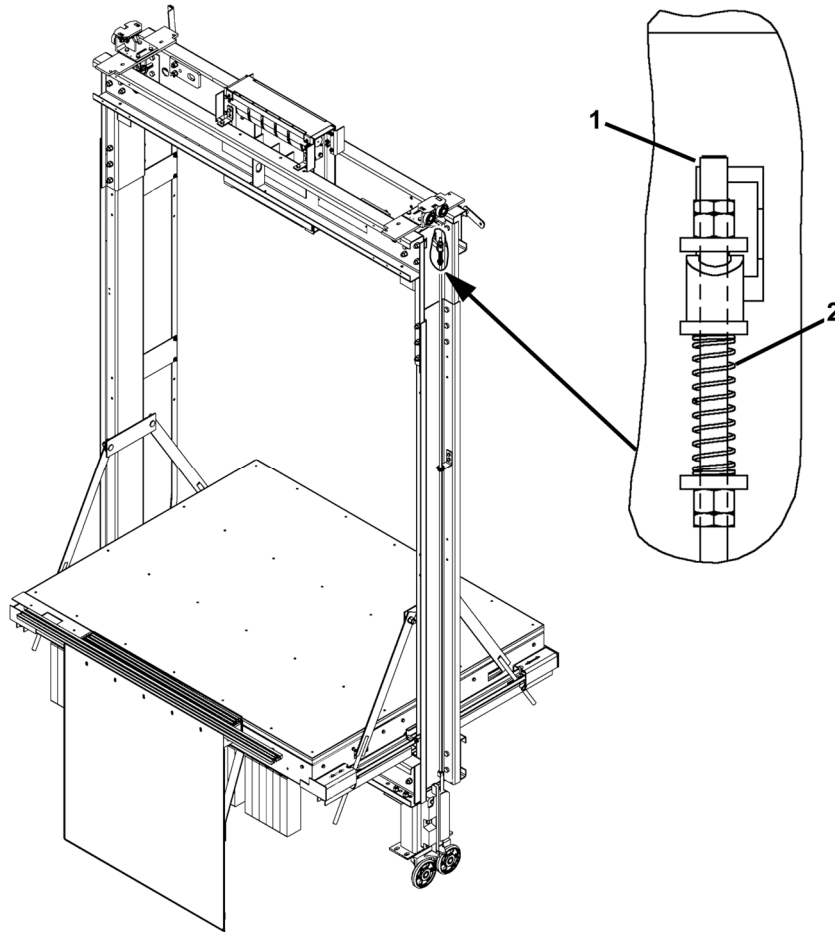
REF. No.	DESCRIPTION	W/O VINTAGE AAA2400BK ABA2400BK	ACA2400BK ADA2400BK
1	Assembly, 2:1 Carframe Hitch (counterweight at rear)	👁 SPL 14-AAA24060T	---
	Assembly, 2:1 Carframe Hitch (counterweight at side)	👁 SPL 14-AAA24060U	---
2	Assembly, Safety	👁 SPL 14-A9672D	👁 SPL 14-KAA24120AAJ
3	Roller Guide, 160 mm (6.30 in.) Wheel Diameter	👁 SPL 14-AA24180AX	
4	Roller Guide, 76 mm (3 in.) Wheel Diameter	👁 SPL 14-AAA24180AW	

Safety Operated Switch (SOS)

14-AAA2400BK



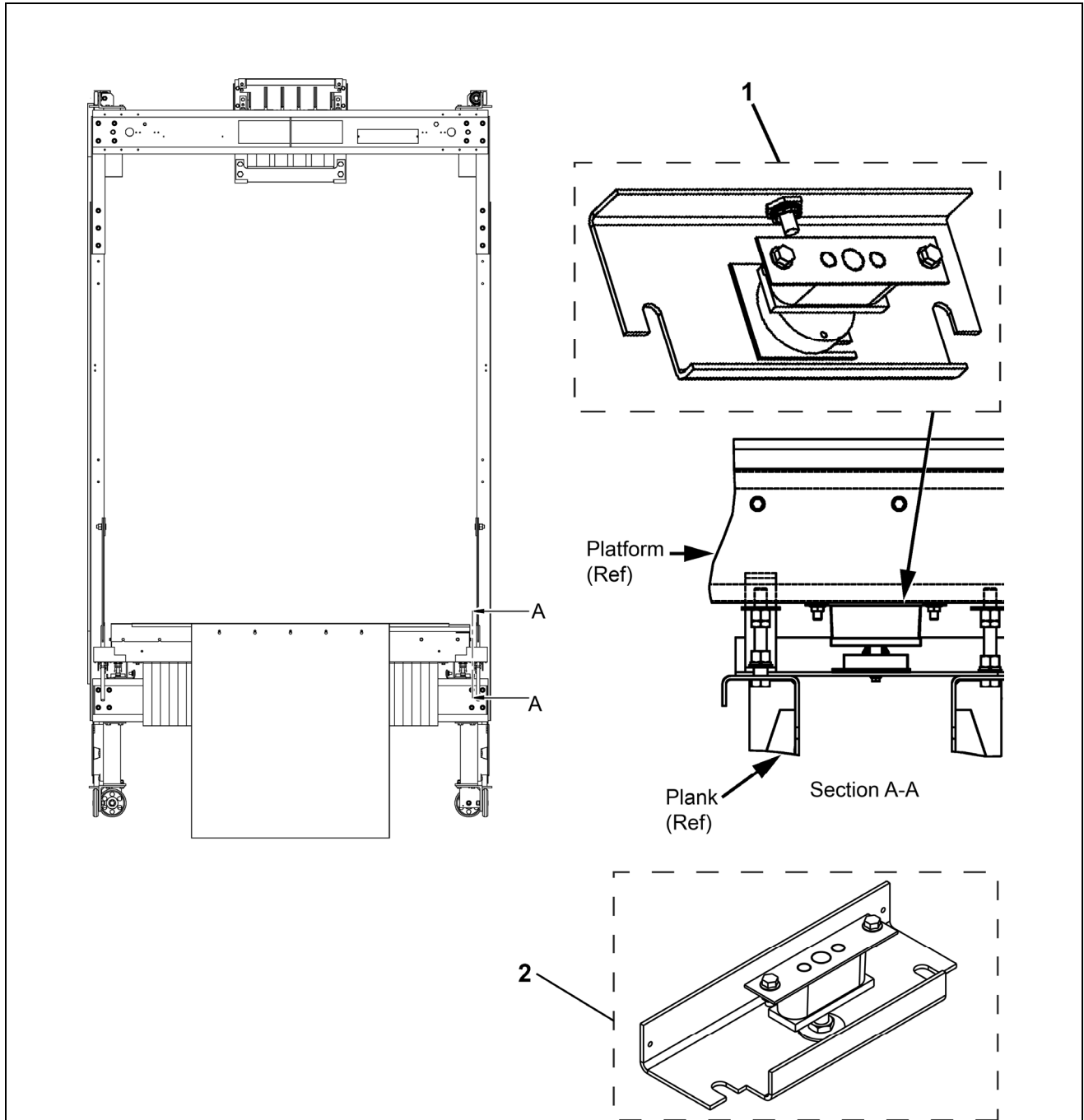
REF. No.	PART No.		DESCRIPTION
	W/O VINTAGE AAA2400BK ABA2400BK	ACA2400BK ADA2400BK	
1	AAA316GXS1		Bracket (SOS switch)
2	90JC6	---	Spring, 17.0 in. L, 1.0 in. \varnothing
	---	AAA90EX1	Spring, 25.0 in. L, 1.0 in. \varnothing
3	AAA661D5		Switch (safety operated switch, SOS)
4	131R1		Washer, Special, 2.0 in. \varnothing





	W/O VINTAGE	AAA2400BK ABA2400BK ACA2400BK ADA2400BK	2006 and Earlier	2007 and Later	
REF. No.	PART No.		Length (mm)	Length (mm)	DESCRIPTION
1	AAA96AAA20	---	3363	3381	Rod, Lift (carframe height = 3033 mm [10 ft.])
	AAA96AAA21	---	3846	3864	Rod, Lift (carframe height = 3516 mm [11.5 ft.])
	AAA96AAA22	---	3973	3991	Rod, Lift, (carframe height = 3643 mm [12 ft.])
	---	AAA96AAA53	---	3457	Rod, Lift (carframe height = 3033 mm [10 ft.])
	---	AAA96AAA54	---	3940	Rod, Lift (carframe height = 3516 mm [11.5 ft.])
	---	AAA96AAA55	---	4067	Rod, Lift (carframe height = 3643 mm [12 ft.])
2	90JB10				Spring, 2.5 in. L, 11/16 in.

Load Cell Assembly

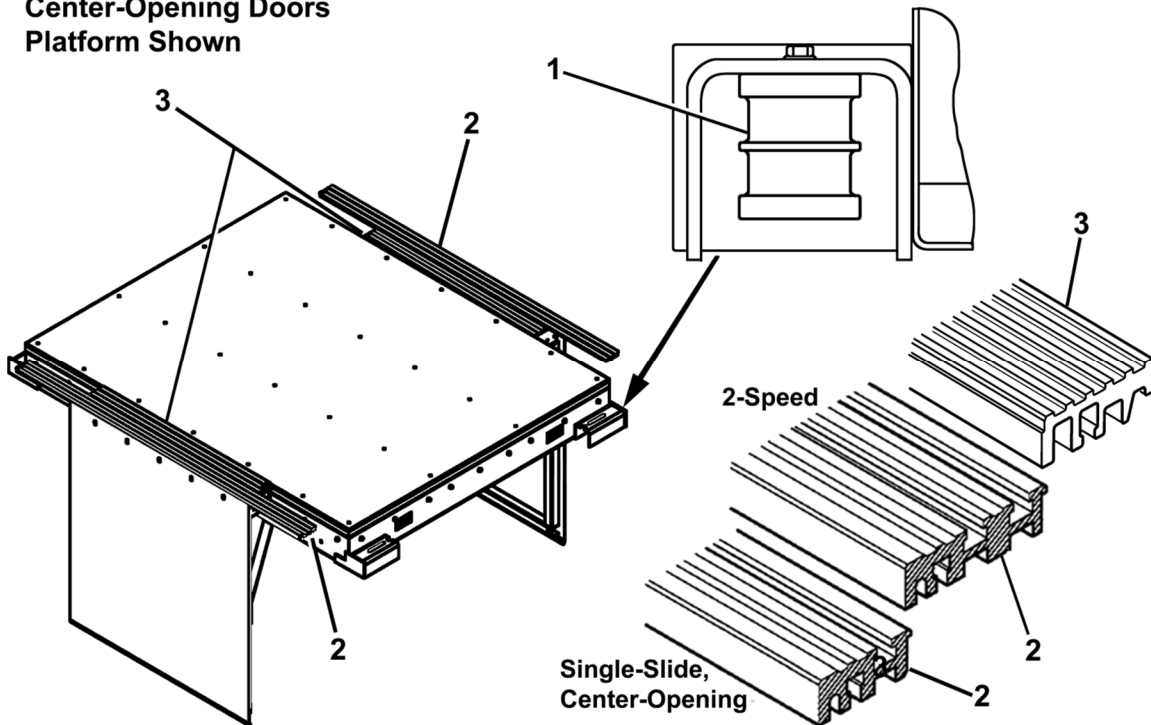
14-AAA2400BK



ALL VINTAGES		
REF. No.	PART No.	DESCRIPTION
1	---	Assembly, Load Cell,  SPL 17-AAA24270F, w/o Belt Load Weighing
2	---	Assembly, Insulation,  SPL 17-AAA24240G, w/Belt Load Weighing

Threshold Plates and Sound Isolation Pads

Center-Opening Doors
Platform Shown



**W/O VINTAGES
AAA2400BK
ABA2400BK
ACA2400BK**

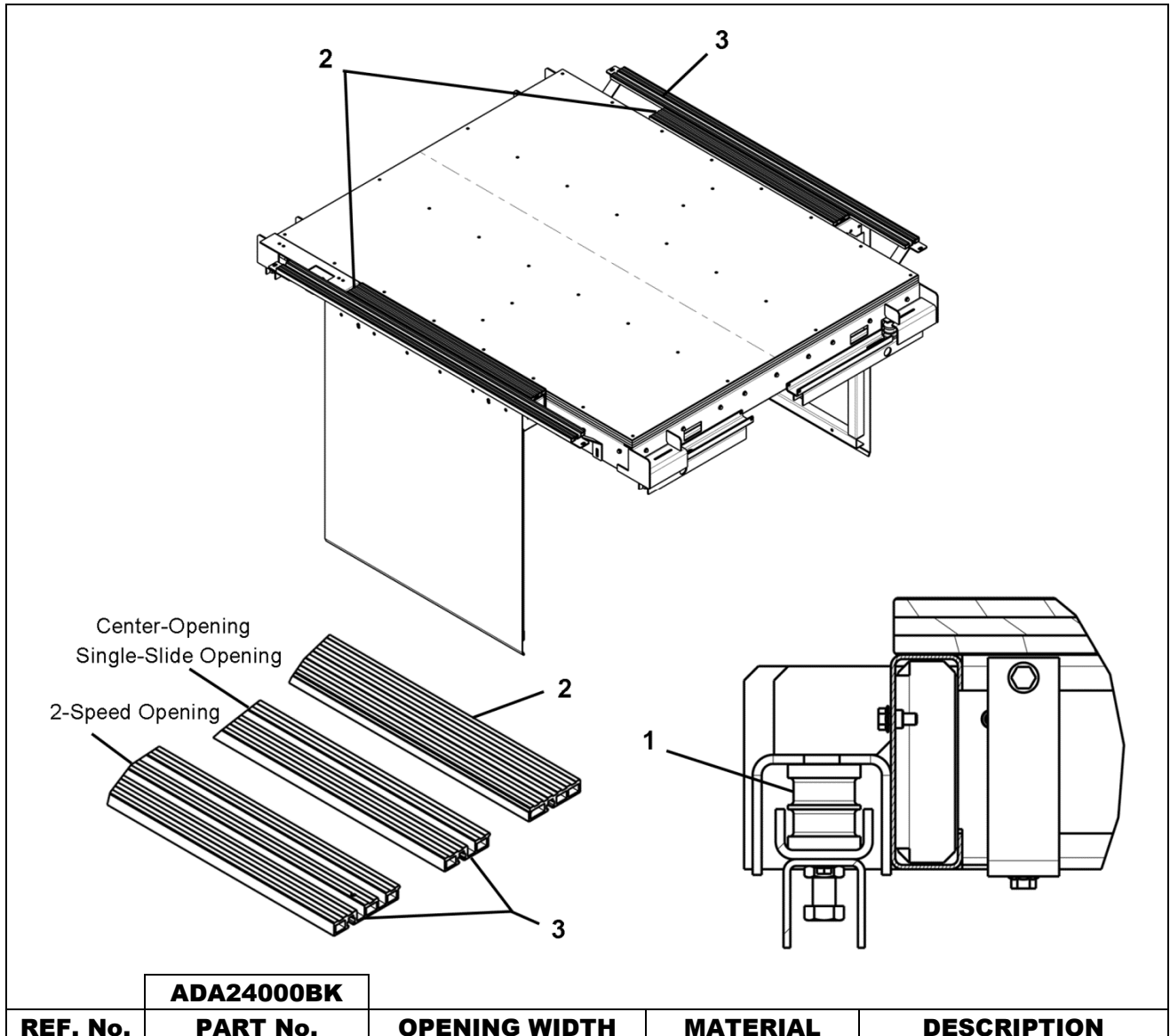
REF. No.	PART No.	DESCRIPTION
1	AAA321GH5	Pad, Sound Isolation
2	50AHT-AL-68	Shape, Threshold, Aluminum, 2/S, Length = 68 in.
	50AHT-AL-88	Shape, Threshold, Aluminum, 2/S, Length = 88 in.
	50AHT-BR-88	Shape, Threshold, Brass, 2/S, Length = 88 in.
	50AHT-NS-84	Shape, Threshold, Nickel Silver, 2/S, Length = 84 in.
	50AHV-AL-72	Shape, Threshold, Aluminum, S/S or C/O, Length = 72 in.
	50AHV-AL-144	Shape, Threshold, Aluminum, S/S or C/O, Length = 144 in.
	50AHV-BR-72	Shape, Threshold, Brass, S/S Or C/O, Length = 72 in.
	50AHV-NS-72	Shape, Threshold, Nickel Silver, S/S or C/O, Length = 72 in.
3	50AJR-41-48	Shape, Threshold Extension, Aluminum, 2/S, S/S, or C/O, Length = 48 in.
	50AJR-41-144	Shape, Threshold Extension, Aluminum, 2/S, S/S, or C/O, Length = 144 in.

NOTES:

1. All shapes must be cut and drilled to suit at installation.
2. Door Systems: S/S = Single-Slide, 2/S = 2-Speed, and C/O = Center-Opening.

Threshold Plates & Sound Isolation Pads

14-AAA2400BK



ADA2400BK				
REF. No.	PART No.	OPENING WIDTH	MATERIAL	DESCRIPTION
1	AAA321GH5	---	---	Pad, Sound Isolation
2	AAA280BP1	36 in. (914 mm)	Aluminum	Threshold Extensions
	AAA280BP2	42 in. (1067 mm)		
	AAA280BP3	48 in. (1219 mm)		
	AAA280BP4	54 in. (1372 mm)		
	AAA280BR1	36 in. (914 mm)	Bronze	
	AAA280BR2	42 in. (1067 mm)		
	AAA280BR3	48 in. (1219 mm)		
	AAA280BR4	54 in. (1372 mm)		
	AAA280BQ1	36 in. (914 mm)	Nickel Silver	
	AAA280BQ2	42 in. (1067 mm)		
	AAA280BQ3	48 in. (1219 mm)		
	AAA280BQ4	54 in. (1372 mm)		

(Continued on Next page)

**Threshold Plates & Sound
Isolation Pads**

See p. 9 for illustration

ADA2400BK								
REF. No.	PART No.	OPENING WIDTH	LENGTH	OPENING TYPE	MATERIAL	DESCRIPTION		
3	AAA280BJ1	42 in. (1067 mm)	67.34 in. (1711 mm)	Center-Opening	Aluminum	Threshold		
	AAA280BJ3	48 in. (1219 mm)	76.32 in. (1939 mm)					
	AAA280BJ5	36 in. (914 mm)	59.49 in. (1511 mm)	Single-Slide				
	AAA280BJ8	42 in. (1067 mm)	68.52 in. (1741mm)					
	AAA280BJ11	48 in. (1219 mm)	65.50 in. (1664 mm)	Two-Speed				
	AAA280BJ14	54 in. (1372 mm)	73.03 in. (1855 mm)					
	AAA280BJ18	N/A	76.32 in. (1939 mm)	C/O or S/S			Shape, Threshold, No Holes/Slots	
	AAA280BJ22		73.03 in. (1855 mm)	2/S				
	AAA280BN1	42 in. (1067 mm)	67.34 in. (1711 mm)	Center-Opening			Bronze	Threshold
	AAA280BN3	48 in. (1219 mm)	76.32 in. (1939 mm)					
	AAA280BN5	36 in. (914 mm)	59.49 in. (1511 mm)	Single-Slide				
	AAA280BN8	42 in. (1067 mm)	68.52 in. (1741mm)					
	AAA280BN11	48 in. (1219 mm)	65.50 in. (1664 mm)	Two-Speed				
	AAA280BN14	54 in. (1372 mm)	73.03 in. (1855 mm)					
	AAA280BN18	N/A	76.32 in. (1939 mm)	C/O or S/S	Shape, Threshold, No Holes/Slots			
	AAA280BN22		73.03 in. (1855 mm)	2/S				
	AAA280BM1	42 in. (1067 mm)	67.34 in. (1711 mm)	Center-Opening	Nickel Silver	Threshold		
	AAA280BM3	48 in. (1219 mm)	76.32 in. (1939 mm)					
	AAA280BM5	36 in. (914 mm)	59.49 in. (1511 mm)	Single-Slide				
	AAA280BM8	42 in. (1067 mm)	68.52 in. (1741mm)					
	AAA280BM11	48 in. (1219 mm)	65.50 in. (1664 mm)	Two-Speed				
	AAA280BM14	54 in. (1372 mm)	73.03 in. (1855 mm)					
	AAA280BM18	N/A	76.32 in. (1939 mm)	C/O or S/S			Shape, Threshold, No Holes/Slots	
	AAA280BM22		73.03 in. (1855 mm)	2/S				