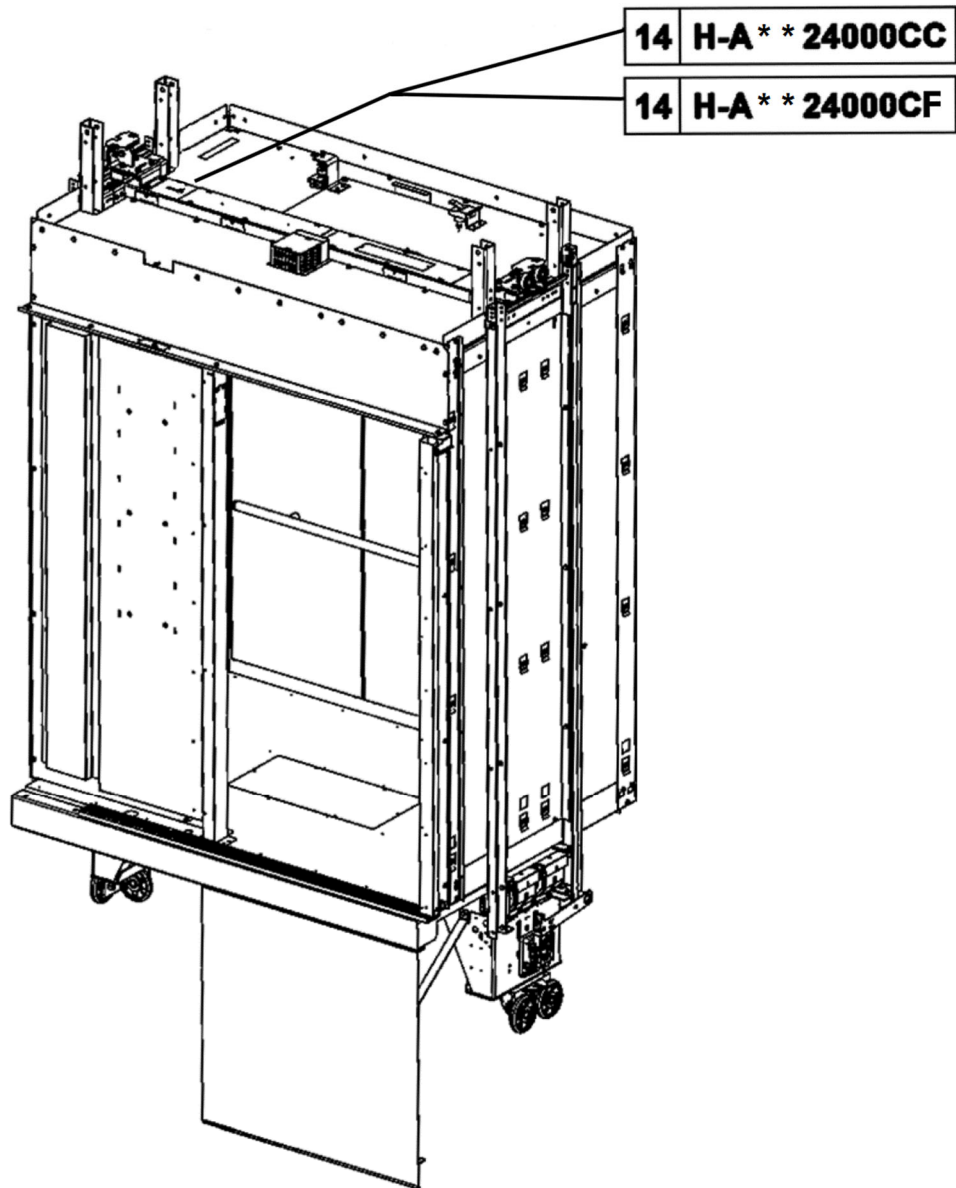


**Gen2[®] L-Series
Cab and Carframe
(2100–3500 lb. Duties)**

**Spare Parts Leaflet
14-AAA24000CC**

November 25, 2015 / Page 1 of 24



OTIS

**SERVICE ENGINEERING
Otis Elevator Company
Bloomfield, Connecticut USA**

Unpublished Work—© Otis Elevator Co.; 2015

Leaflet Description

This leaflet covers the parts of carframe and cab used on Gen2® L-series systems. ABA vintage for NG car doors, ABB vintage for PS45A safeties.

Leaflet Revisions

Date Revised	Subject Matter Expert	Reason for Revision
May 26, 2009	Jay Lengacher	New SPL
August 31, 2009	Troy Chicoine	Replaces Lexan Grille with DC-22 Decorative Ceilings on p. 11
February 10, 2010	Jay Lengacher	Updated information on pp. 1, 4–6, and 23
June 9, 2010	Troy Chicoine	Incorrect part numbers on p.10.
January 18, 2012	Troy Chicoine	Corrected Vintage information on pp. 5, 6, and 7
June 18, 2014	Kyle Pereira	Added new p. 6; Updated SPL for ABA and ABB vintages
November 25, 2015	Kyle Pereira	Corrected vintage information and updated pp. 6, 8-10, 13, 15, and 24

Related Drawings

Drawing No.	Title	Drawing No.	Title
AAA24000CC	Arrangement and Assembly, Carframe and Cab Gen2L, 2100–3500 lb. Duties	AAA24220X	Arrangement and Assembly, Platform, Gen2L
AAA24120BC	Safety Assembly, Carframe Gen2L	AAA374AAX	Frame, Sheave Assembly (Gen2L)
AAA368KN	Ceiling, Car, LCT Laminated Panel	AAA139BJ	Handrail (DH51)
AAA139BH	Handrails (DH50)	AAA139BF	Handrail (DH154)
AAA24000CF	Car and Carframe Assembly, 4000 lb. Duty	AAA374ABA	Plank Assembly
AAA282BR	Platform Assembly	AAA24120BD	Safety Assembly, Carframe G2L
ABA24000CC	Arrangement and Assembly, Carframe and Cab Gen2L, 2100–3500 lb. Duties	ABB24000CC	Arrangement and Assembly, Carframe and Cab Gen2L, 2100–3500 lb. Duties

Related Documents

Document ID	Title
SPL 17-AAA24689D	Cab Assembly: Series 1, 2 & 3
SPL 14-A9672D	9672 Progressive Safety
SPL 14-AAA24000AG	Carframe and Platform Assembly
SPL 14-AAA24180AW	Roller Guide—Car and Counterweight 76 mm Diameter
SPL 14-AAA24180AX	Roller Guide—Car and Counterweight 160 mm Diameter
SPL 17-A49BM	Ceiling Panel and Grilles
SPL 14-KAA24120AAJ	PS45A Progressive Safety – ASME A17.1 Applications

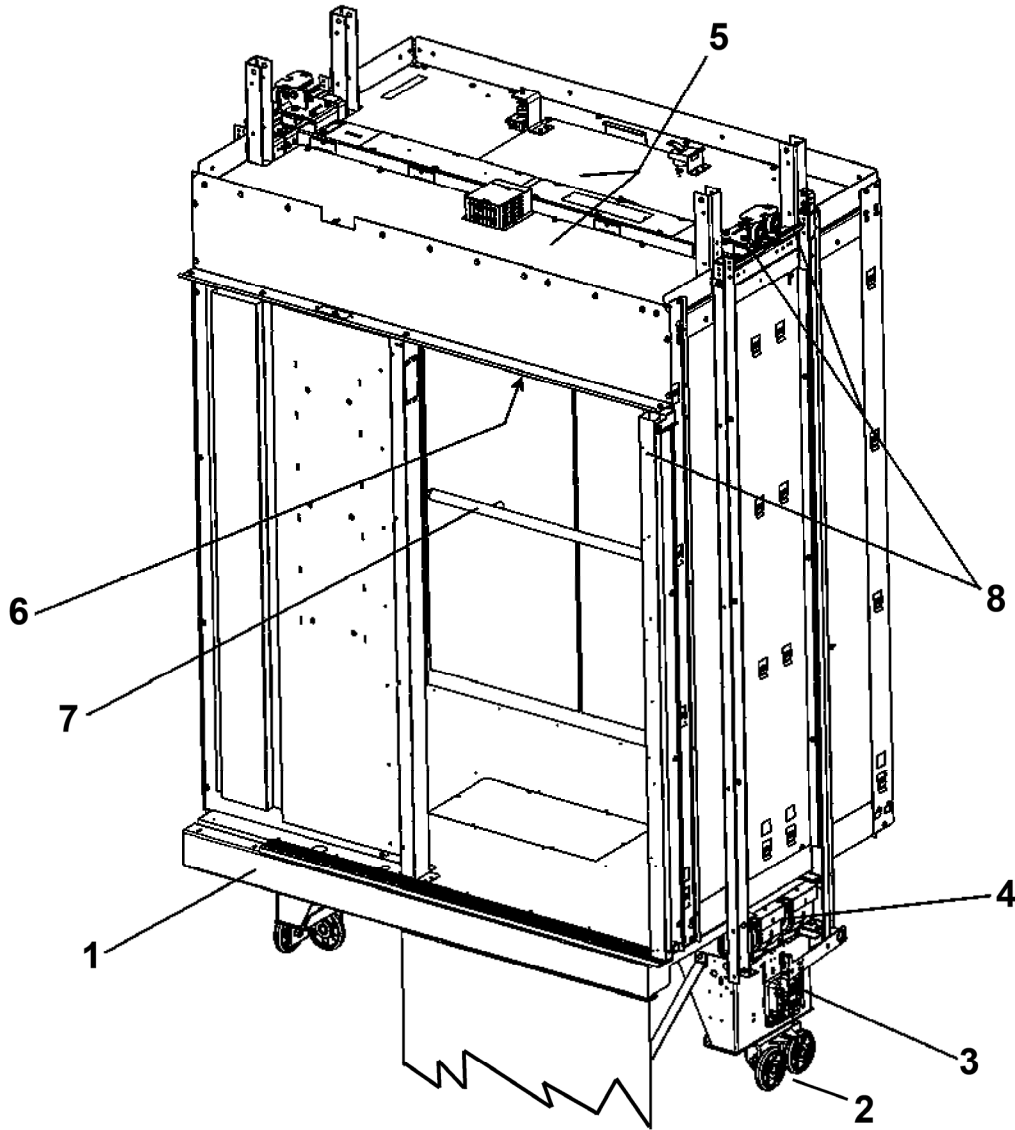
Subject Matter Expert	
Name	Department
Kyle Pereira	OSC Service Engineering

About Spare Parts Leaflets...

This document lists the lowest replaceable units (LRUs) for the standard version of the product. The LRUs are chosen by a team of Otis associates representing engineering and manufacturing.

While goal of this document is to make parts identification as easy as possible, the document cannot be all-inclusive. Elevator and escalator contracts classified as “special” or “custom” are not addressed here. For such contracts, please refer to specified information, the contract folder, TIPS, Field Education Articles, Construction Letters, etc. for further information.

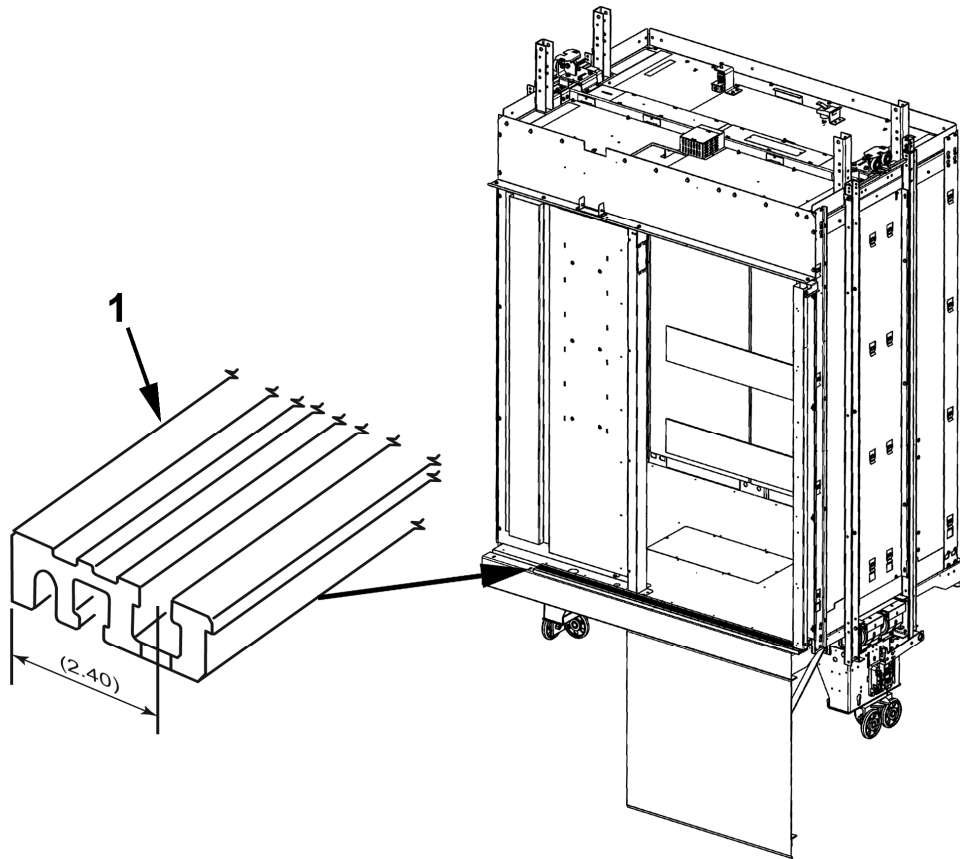
If you have any suggestions about this document, please contact the subject matter expert listed on this page.



REF. No.	PAGE No.	DESCRIPTION
1	5-6	Threshold Plates
2	7	Roller Guides, Miscellaneous Parts
3	8-9	Safety Assembly
4	10	Inner Plank Assembly
5	11-13	Structural Ceiling Assembly
6	14-15	Decorative Ceiling
7	16-23	Car Handrail
8	24	Belt Retainer, Bumper, Pad Hooks, and Emergency Lighting Fixture (not shown in the illustration)

Threshold Plates

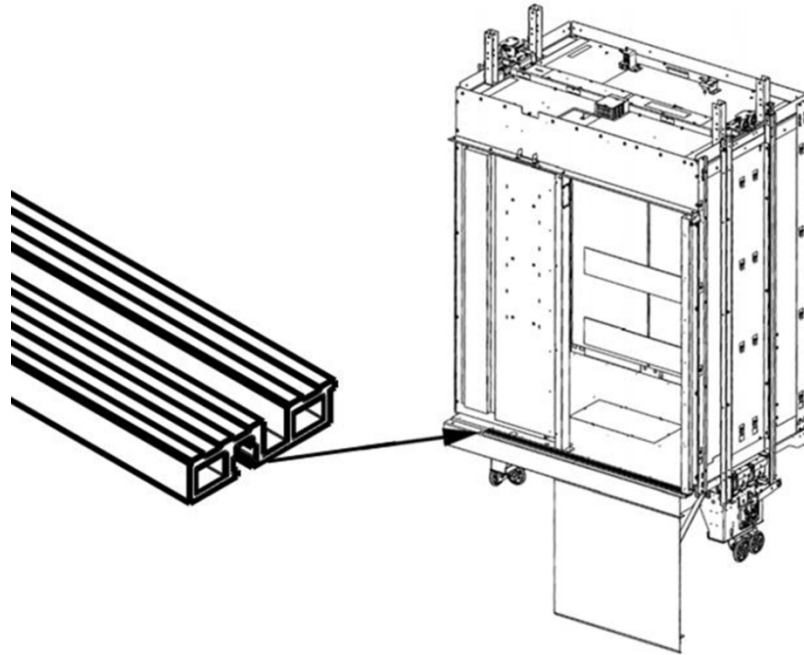
14-AAA2400CC



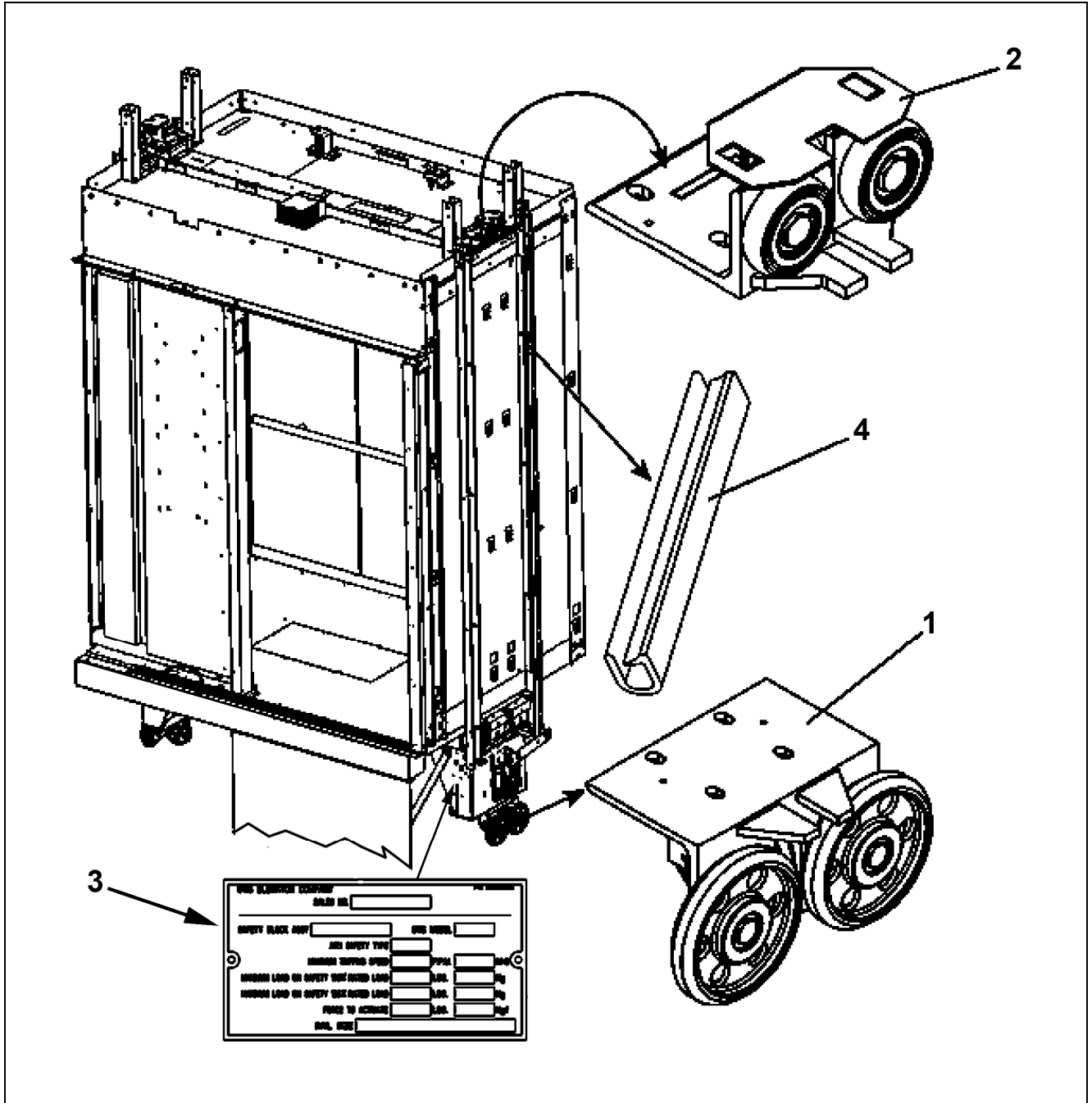
REF. No.	PART No.	DESCRIPTION
	AAA2400CC	
	AAA50AUD1-__-84	Shape, L = 84 in., See NOTE
1	AAA280BD2-7	Threshold, Entrance Width = 914 mm (36 in.), L = 61 in., S/S
	AAA280BD2-41	
	AAA280BD2-45	
	AAA280BD3-7	Threshold, Entrance Width = 1067 mm (42 in.), L = 70 in., S/S, C/O, Material = Bronze
	AAA280BD3-41	Threshold, Entrance Width = 1067 mm (42 in.), L = 70 in., S/S, C/O, Material = Aluminum
	AAA280BD3-45	Threshold, Entrance Width = 1067 mm (42 in.), L = 70 in., S/S, C/O, Material = Nickel Silver
	AAA280BD4-7	Threshold, Entrance Width = 1219 mm (48 in.), L = 82 in., C/O
	AAA280BD4-41	
	AAA280BD4-45	

NOTE: For complete part number, add the material finish code as follows:

41 = Aluminum; **45** = Nickel Silver; **7** = Bronze.



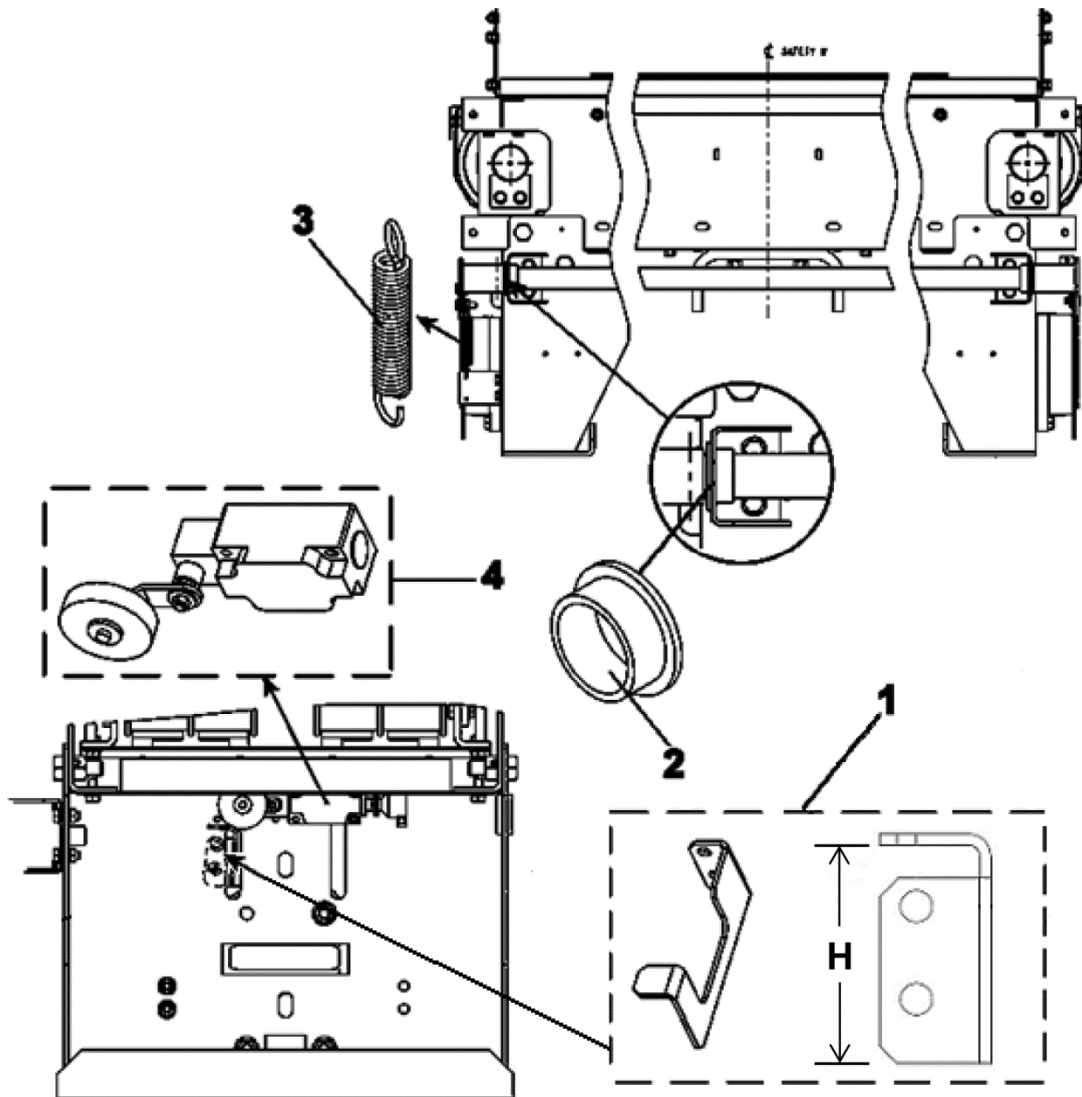
		ALL VINTAGES				
REF. No.	PART No.	OPENING WIDTH	LENGTH	OPENING TYPE	MATERIAL	DESCRIPTION
1	AAA280BJ1	42 in. (1067 mm)	67.34 in. (1711 mm)	Center-Opening	Aluminum	Threshold
	AAA280BJ3	48 in. (1219 mm)	76.32 in. (1938.5 mm)			
	AAA280BJ5	36 in. (914 mm)	59.49 in. (1511 mm)	Single-Slide		
	AAA280BJ8	42 in. (1067 mm)	68.52 in. (1741 mm)			
	AAA280BJ18	N/A	76.32 in. (1938.5 mm)	CO or SS		
	AAA280BN1	42 in. (1067 mm)	67.34 in. (1711 mm)	Center-Opening	Bronze	Threshold
	AAA280BN3	48 in. (1219 mm)	76.32 in. (1938.5 mm)			
	AAA280BN5	36 in. (914 mm)	59.49 in. (1511 mm)	Single-Slide		
	AAA280BN8	42 in. (1067 mm)	68.52 in. (1741 mm)			
	AAA280BN18	N/A	76.32 in. (1938.5 mm)	CO or SS		
	AAA280BM1	42 in. (1067 mm)	67.34 in. (1711 mm)	Center-Opening	Nickel Silver	Threshold
	AAA280BM3	48 in. (1219 mm)	76.32 in. (1938.5 mm)			
	AAA280BM5	36 in. (914 mm)	59.49 in. (1511 mm)	Single-Slide		
	AAA280BM8	42 in. (1067 mm)	68.52 in. (1741 mm)			
	AAA280BM18	N/A	76.32 in. (1938.5 mm)	CO or SS		



ALL VINTAGES		
REF. No.	PART No.	DESCRIPTION
1	AAA24180AX8	Guide, Bottom Roller, 160 mm Roller, See SPL 14-AAA24180AX.
2	AAA24180AW9	Guide, Top Roller, 76 mm Roller, See SPL 14-AAA24180AW.
3	ABA102AQR1	Plate, Load Data, Blank
4	AAA402ZY2	Trim, Protective

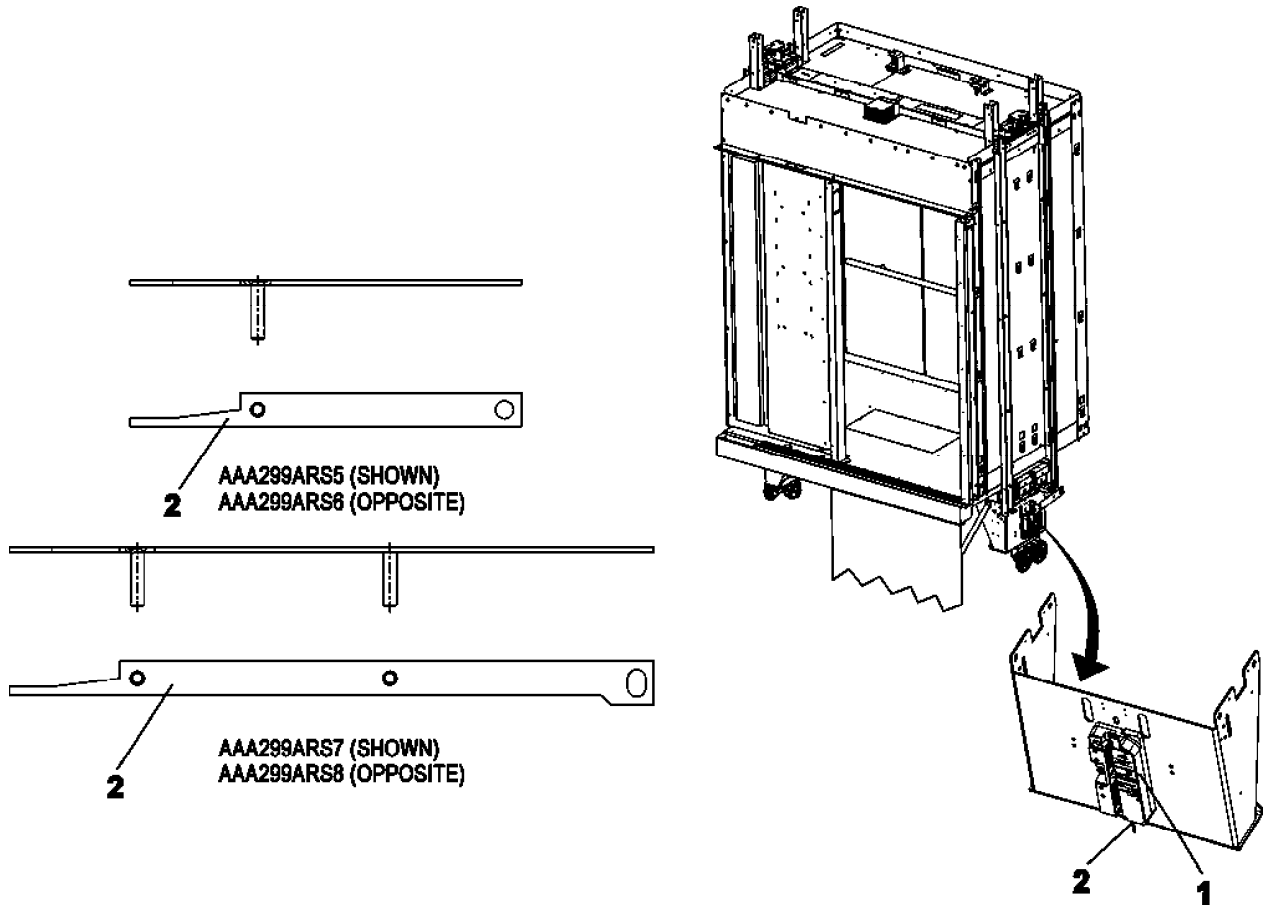
Safety Parts

14-AAA2400CC



A*A2400CC A*A2400CF	ABB2400CC ABB2400CF
--------------------------------------	--------------------------------------

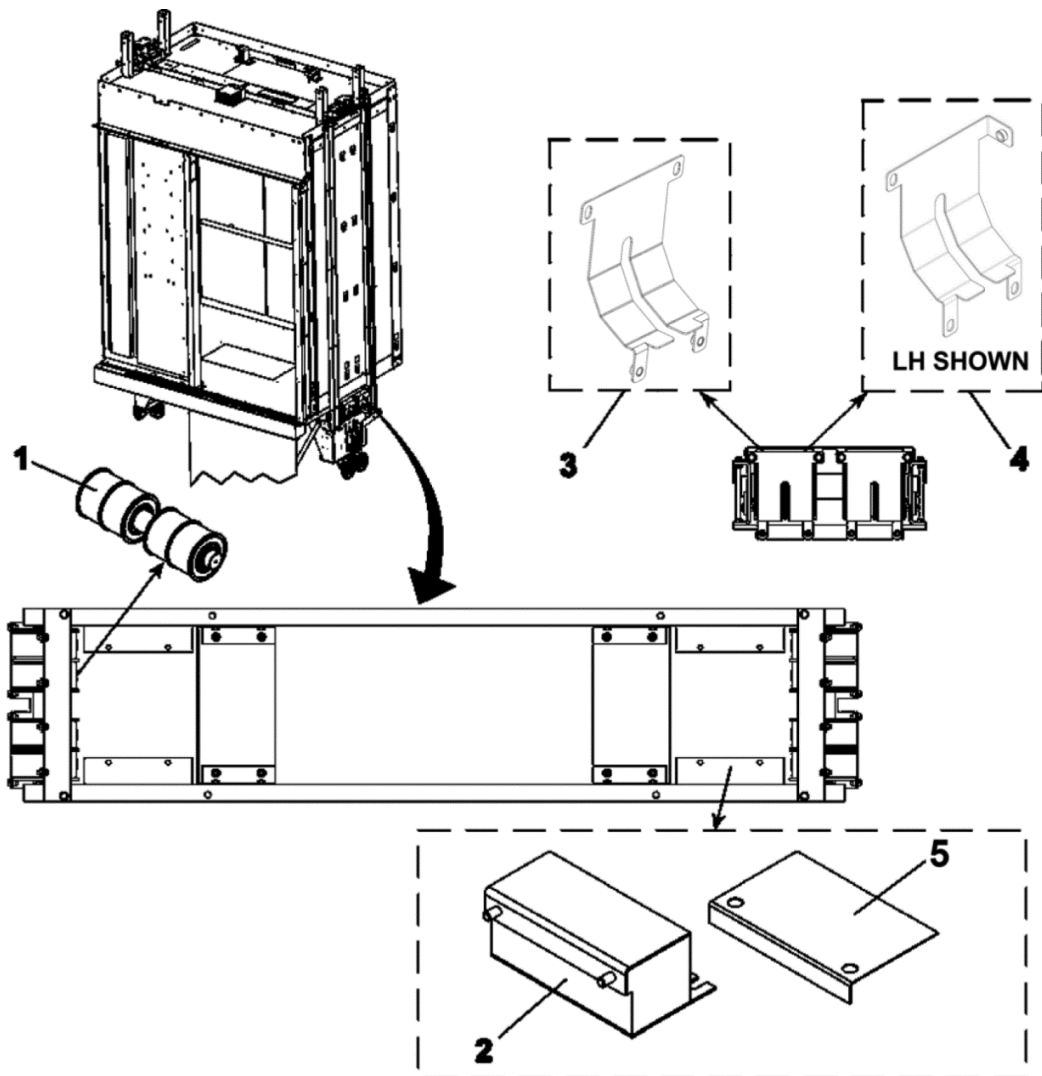
REF. No.	PART No.	DESCRIPTION	
1	AAA316HLN1	Bracket, SOS Switch Contact, LH (as shown), H = 59 mm	
	AAA316HLN2	Bracket, SOS Switch Contact, RH (opposite), H = 59 mm	
	---	AAA316HLN3	Bracket, SOS Switch Contact, LH (as shown), H = 82 mm
	---	AAA316HLN4	Bracket, SOS Switch Contact, RH (opposite), H = 82 mm
2	335AD3	Bushing (linkage tube)	
3	AAA91AX2	Spring (safety linkage), 20.6 mm OD	
	---	AAA91AX5	Spring (safety linkage), 25.4 mm OD
4	AAA22800T3	Switch, SOS	



REF. No.	PART No.		DESCRIPTION
	A*A24000CC A*A24000CF	ABB24000CC ABB24000CF	
1	---	---	Assembly, D & E Safety, See SPL 14-A9672D.
	---	---	Assembly, PS45A Safety, See SPL 14-KAA24120AAJ.
2	AAA299ARS5	---	Lever (safety trip), Used w/A9672D.
	AAA299ARS6	---	
	AAA299ARS7	---	Lever (safety trip), Used w/A9672E.
	AAA299ARS8	---	

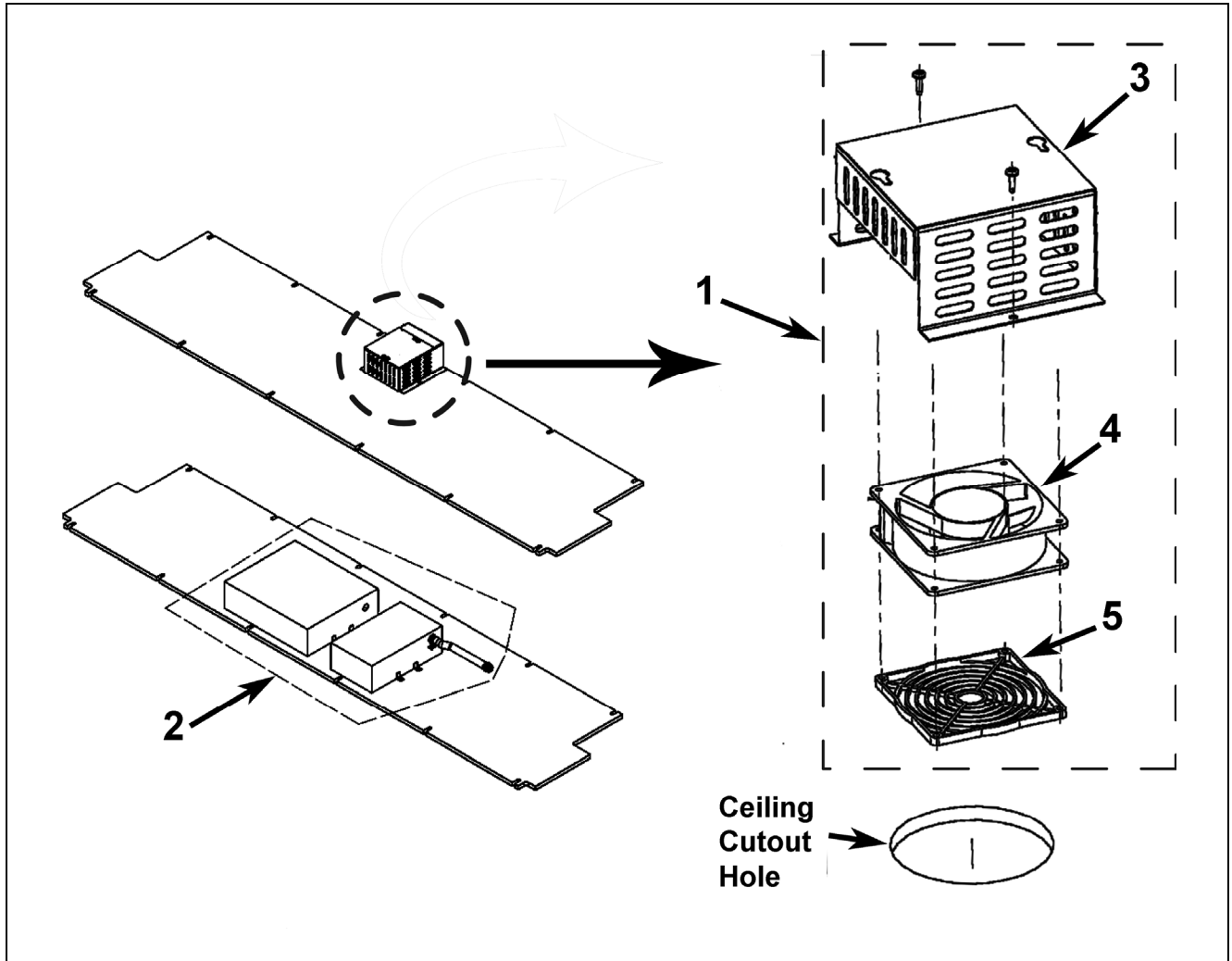
Inner Plank Assembly

14-AAA24000CC



ALL VINTAGES

REF. No.	PART No.	DESCRIPTION
1	AAA20780H4	Assembly, Sheave, Duty Load = 3000, 3500, or 4000 lb.
	AAA20780H5	Assembly, Sheave, Duty Load = 2100 or 2500 lb.
2	AAA310VX1	Block, Isolation
3	AAA384ARC2	Guard, Sheave, Duty Load = 2100 or 2500 lb.
	AAA384ARC4	Guard, Sheave, Duty Load = 3000, 3500, or 4000 lb.
4	AAA384AQT2	Guard, Sheave, RH, Duty Load = 2100 or 2500 lb.
	AAA384AQT4	Guard, Sheave, LH, Duty Load = 2100 or 2500 lb.
	AAA384AQT6	Guard, Sheave, RH, Duty Load = 3000 or 3500 lb.
	AAA384AQT8	Guard, Sheave, LH, Duty Load = 3000 or 3500 lb.
5	AAA255MP1	Shim



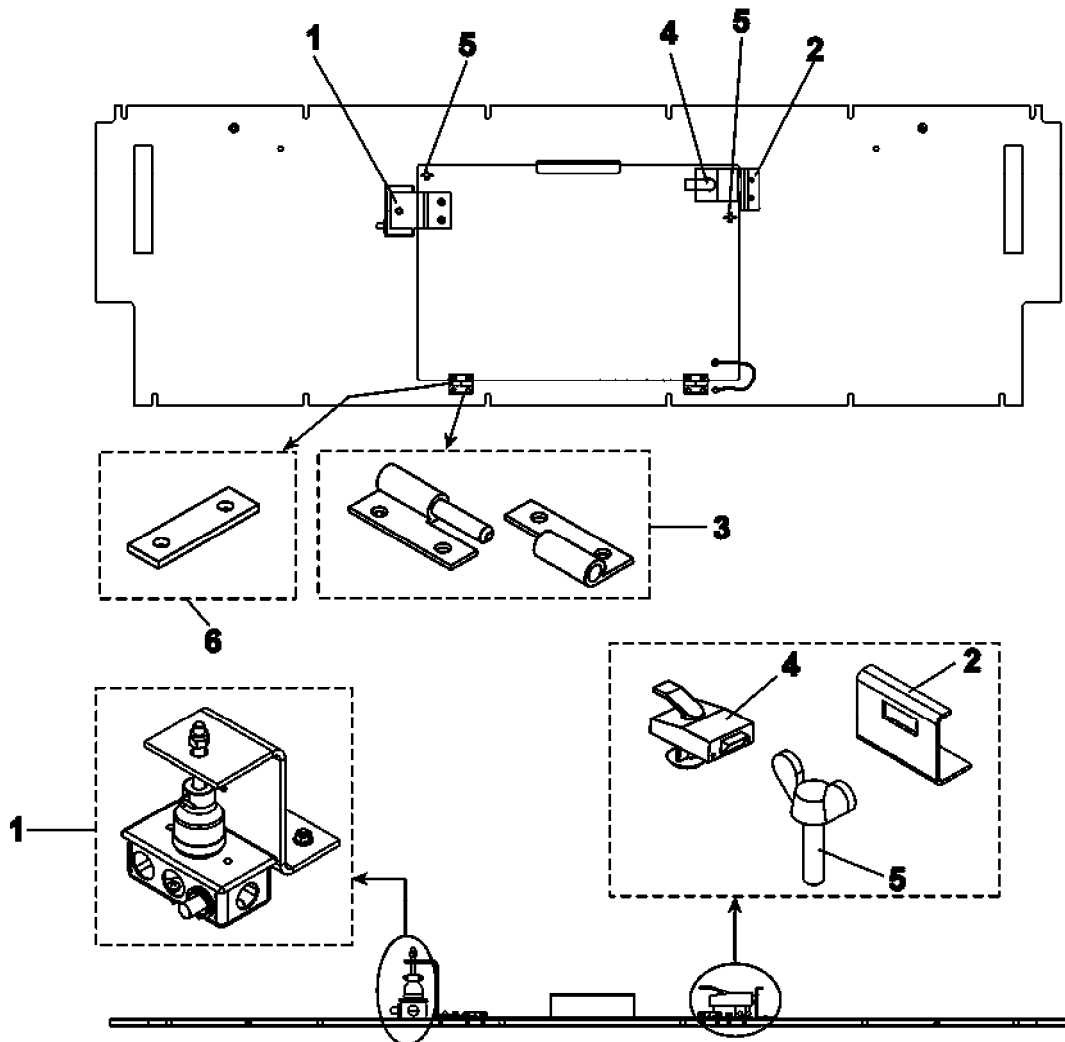
ALL VINTAGES		
REF. No.	PART No.	DESCRIPTION
1	AAA24720T8	Assembly, Fan Single-Speed, 115 VAC, 54 CFM
2	AAA24720M6	Assembly, Fan w/Power Supply, Emergency Ventilation, 120 V, Cable Length = 165 in.
*	AAA24720M503	Battery, 6 V, Used w/AAA24720M6
*	AAA24720M502	Board, Circuit, EVS, w/Box and Leads, Used w/AAA24720M6
3	AAA308RJ4	Cover, Fan
4	AAA24720T9	Fan, Single-Speed, 115 VAC, 54 CFM
*	AAA24720M500	Fan, 12 VDC w/Thermostat, Used w/AAA24720M6
*	AAA24720M501	Fuse, w/Holder, Primary Side, Used w/AAA24720M6
5	AAA384XK2	Grille, for Fan

* Parts not shown.

(Continued on next page)

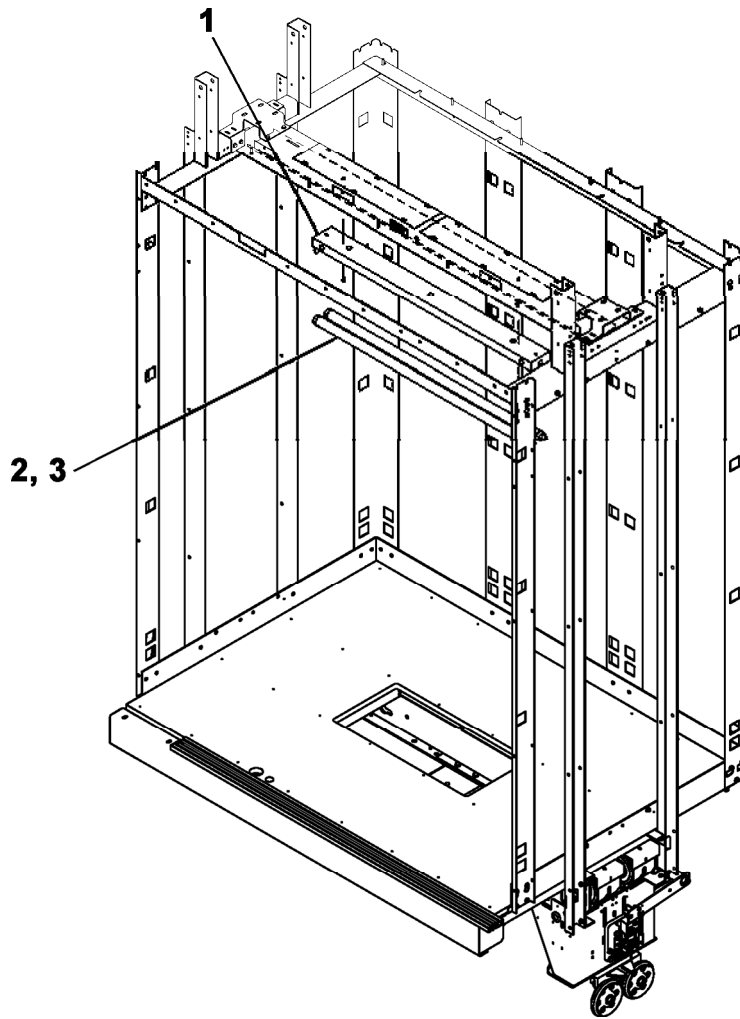
Structural Ceiling Assembly

14-AAA24000CC



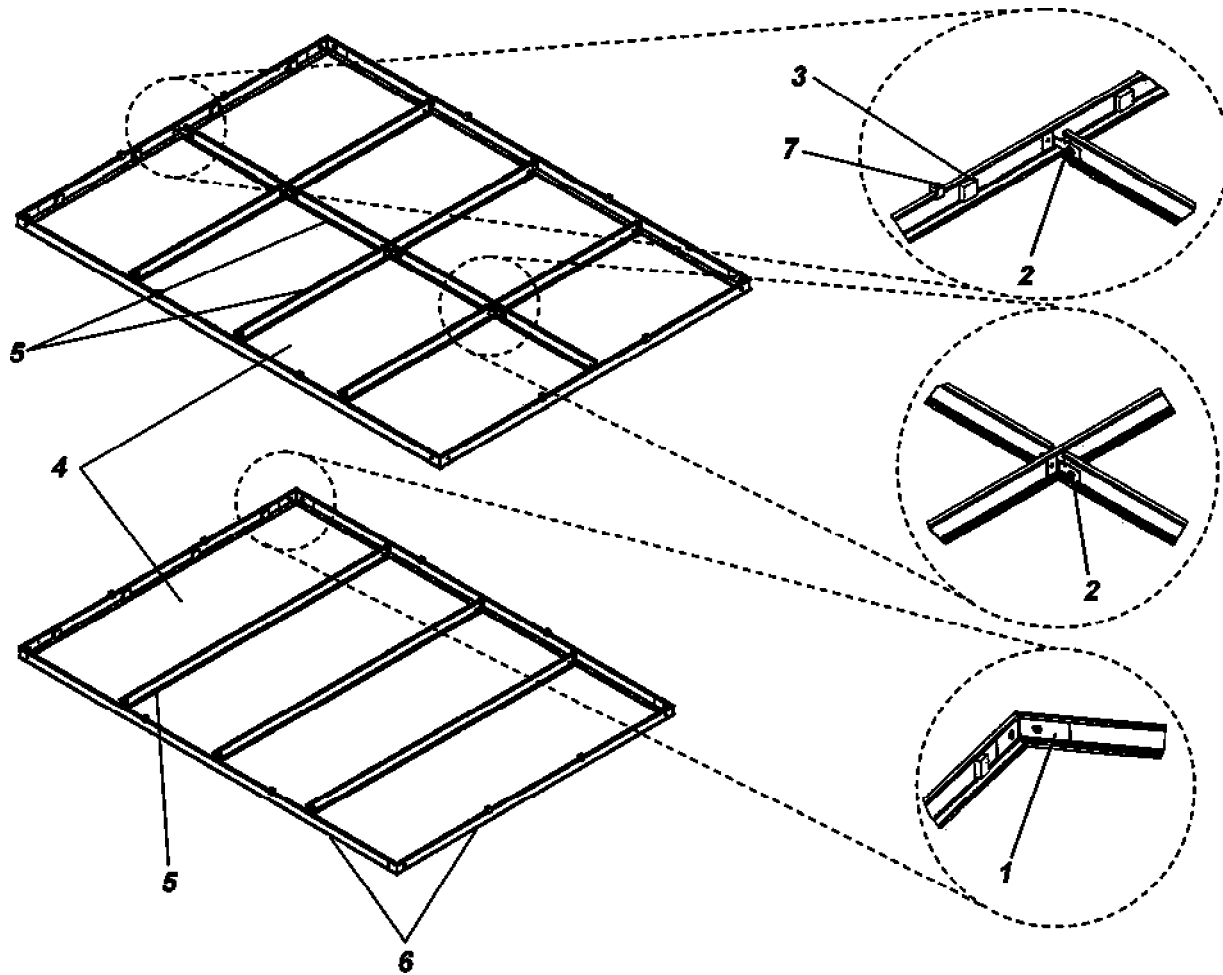
ALL VINTAGES		
REF. No.	PART No.	DESCRIPTION
1	AAA6098NZ1 AAA6098NS1	Assembly, Emergency Exit Switch
2	AAA347BCA2	Bracket, 5-Pin Lock
3	391W22	Hinge, Male Half
	391W23	Hinge, Female Half
4	AAA431AM1	Lock, 5-Pin, Spinlock Tumbler #88, w/2 Keys #1245
	AAA431AM2	Lock, 5-Pin, Spinlock Tumbler #88, w/2 Keys #3502
5	DIN316M5X20-GT-Z	Nut, Wing
6	FAA255DJ1	Shim

(Continued on next page)




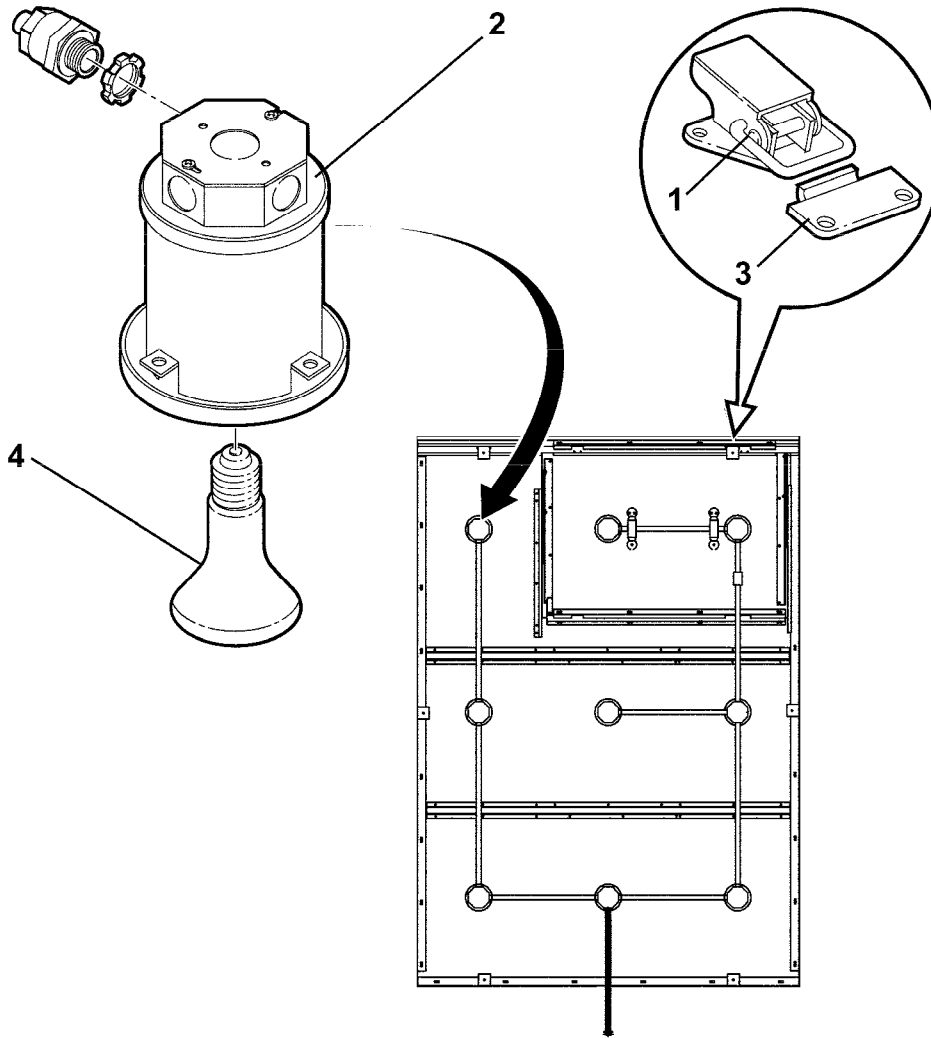
ALL VINTAGES		
REF. No.	PART No.	DESCRIPTION
1	417CB2	Fixture, Lamp
2	424E17	Lamp, Fluorescent
3	AAA651C5	Splicer, Electrical, 4 NO 14 AWG and 1 NO 18 AWG
*	137BA5	Tube, Sleeve (Fluorescent Lamp Cover)

* Part not shown.

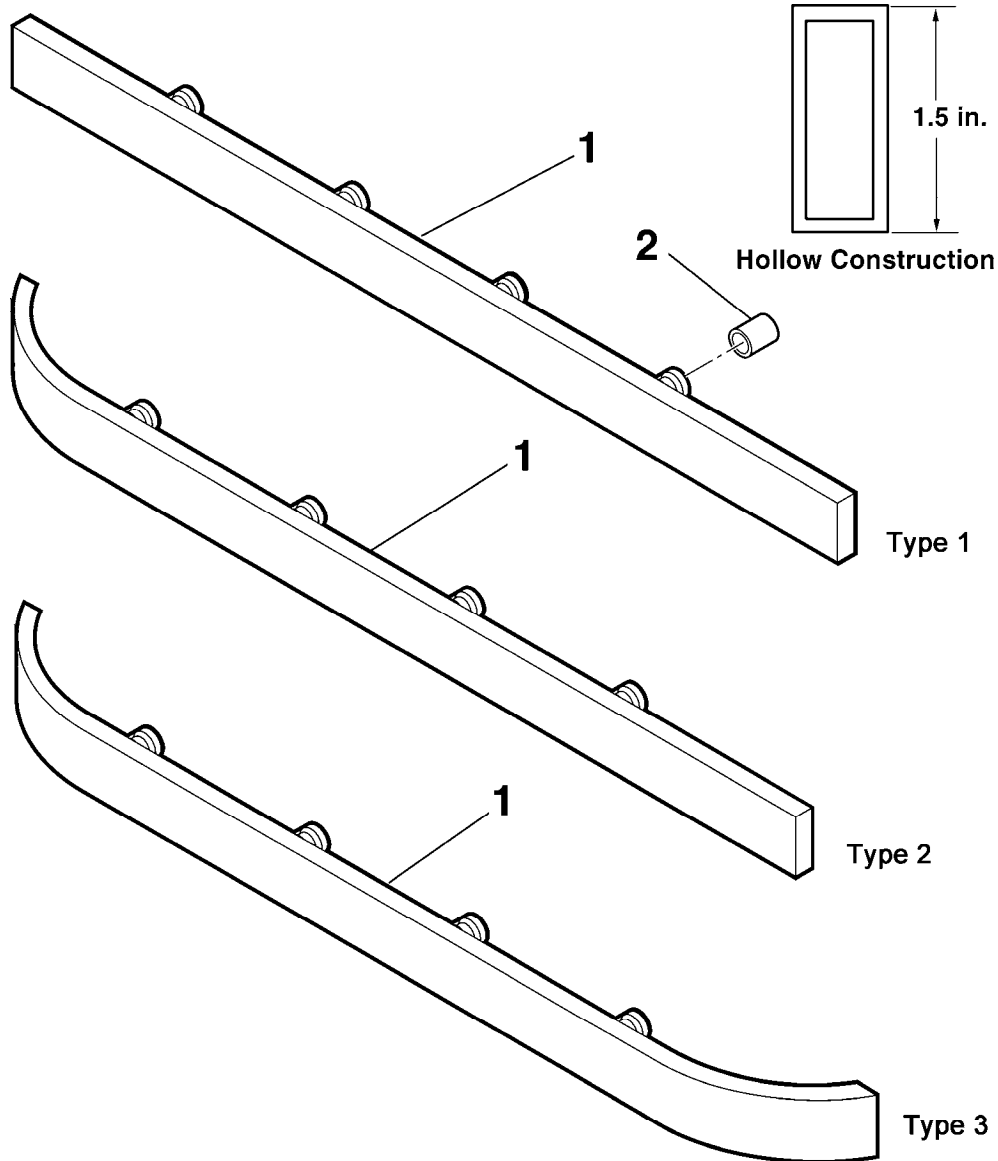


ALL VINTAGES

REF. No.	PART No.	DESCRIPTION
1	283WV1	Bracket, Corner
2	283WW1	Bracket, Side
3	320CE3	Bumper
4	---	Grille / Louver Panel,  SPL 17-A49BM
5	50AKS-144	Shape, Center Support, Aluminum, 144 in. Long (cut to suit in field)
6	50AKR-144	Shape, Side Frame, Aluminum, 144 in. Long (cut to suit in field)
7	338AP1	Slip Nut



ALL VINTAGES		
REF. No.	PART No.	DESCRIPTION
1	AAA331CU1	Clasp, Latch
2	AAA417CM1	Fixture, Light
3	AAA331CU2	Hook, Latch
4	424W1	Lamp, 125–130 V, 50 W (TUFKIN)
	424W3	Lamp, 130 V, 30 W (coated)



NOTE: Length is measured from edge to edge.
See detailed parts listing on following page.

NOTE: Length is measured from edge to edge.
See detailed parts listing on following page.

(Continued on next page)

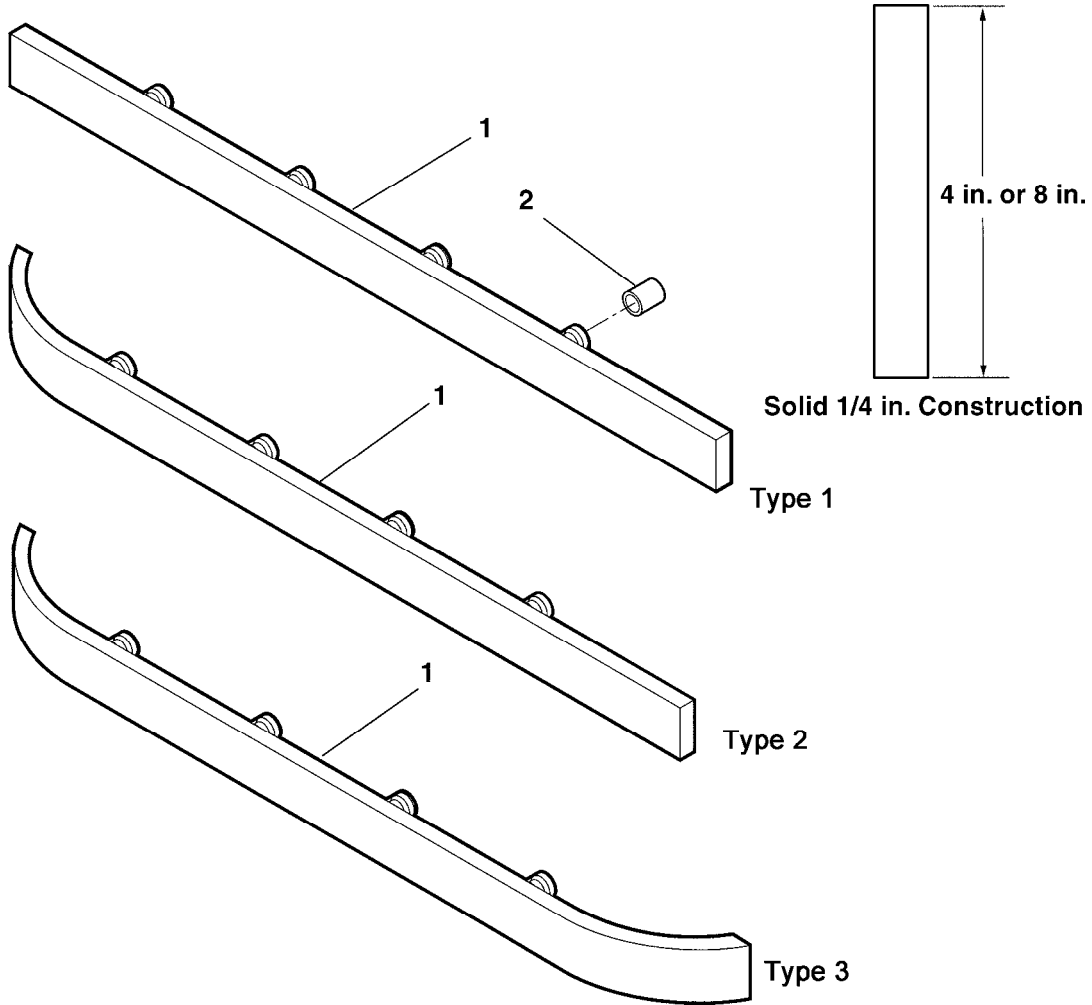
See illustration on page 16.

ALL VINTAGES					
REF. No.	PART No.	TYPE	LENGTH	DUTY	DESCRIPTION
1	AAA139BH1-__	1	39.14	2000, 2100, 2500	Handrail Type DH50, See NOTE
	AAA139BH2-__	2			
	AAA139BH4-__	1	39.75		
	AAA139BH5-__	2	39.75		
	AAA139BH6-__	3			
	AAA139BH13-__	1	45.14	3000	
	AAA139BH14-__	2			
	AAA139BH16-__	1	45.75		
	AAA139BH17-__	2			
	AAA139BH18-__	3			
	AAA139BH24-__	2	53.75	3500, 4000	
	AAA139BH25-__	1	53.14		
	AAA139BH26-__	2			
	AAA139BH28-__	1	53.75		
	AAA139BH30-__	3			
	AAA139BH73-__	1	56.29	2000/2100, 4500H, 5000AIA	
	AAA139BH79-__	1	68.29	2500, 3000, 3500	
AAA139BH85-__	1	80.29	4000		
2	322T434	Kit, Handrail Standoff, Includes 3 Stainless Steel & Hardware			
	322T435	Kit, Handrail Standoff, Includes 3 Bronze & Hardware			
	322T436	Kit, Handrail Standoff, Includes 2 Stainless Steel & Hardware			
	322T437	Kit, Handrail Standoff, Includes 2 Bronze & Hardware			

NOTE: For complete part number, add the material finish code as follows:

MF4 = Brushed Stainless Steel; **SS8** = Mirror Stainless Steel;

BR7 = Brushed Bronze; **BR8** = Mirror Bronze.



NOTE: Length is measured from edge to edge.
See detailed parts listing on following pages.

(Continued on next page)

See illustration on page 18.

ALL VINTAGES						
REF. No.	PART No.	WIDTH	TYPE	LENGTH	DUTY	DESCRIPTION
1	AAA139BJ1-__	4.0	1	39.14	2000, 2100, 2500	Handrail, Type DH51, See NOTE
	AAA139BJ2-__	8.0	1			
	AAA139BJ3-__	4.0	2			
	AAA139BJ4-__	8.0	2			
	AAA139BJ7-__	4.0	1	39.75		
	AAA139BJ8-__	8.0	1			
	AAA139BJ9-__	4.0	2			
	AAA139BJ10-__	8.0	2			
	AAA139BJ11-__	4.0	3			
	AAA139BJ12-__	8.0	3			
	AAA139BJ25-__	4.0	1	45.14		
	AAA139BJ26-__	8.0	1			
	AAA139BJ27-__	4.0	2			
	AAA139BJ28-__	8.0	2	45.75		
	AAA139BJ31-__	4.0	1			
	AAA139BJ32-__	8.0	1			
	AAA139BJ33-__	4.0	2			
	AAA139BJ34-__	8.0	2			
	AAA139BJ35-__	4.0	3			
	AAA139BJ36-__	8.0	3	53.14		
	AAA139BJ49-__	4.0	1			
	AAA139BJ50-__	8.0	1			
	AAA139BJ51-__	4.0	2			
	AAA139BJ52-__	8.0	2	53.75		
AAA139BJ55-__	4.0	1				
AAA139BJ56-__	8.0	1				
AAA139BJ57-__	4.0	2				
AAA139BJ58-__	8.0	2				
AAA139BJ59-__	4.0	3				
AAA139BJ60-__	8.0	3		3000, 4000		

NOTE: For complete part number, add the material finish code as follows:

MF4 = Brushed Stainless Steel; **SS8** = Mirror Stainless Steel;

BR7 = Brushed Bronze; **BR8** = Mirror Bronze.

(Continued on next page)

Car Handrails DH51

14-AAA24000CC

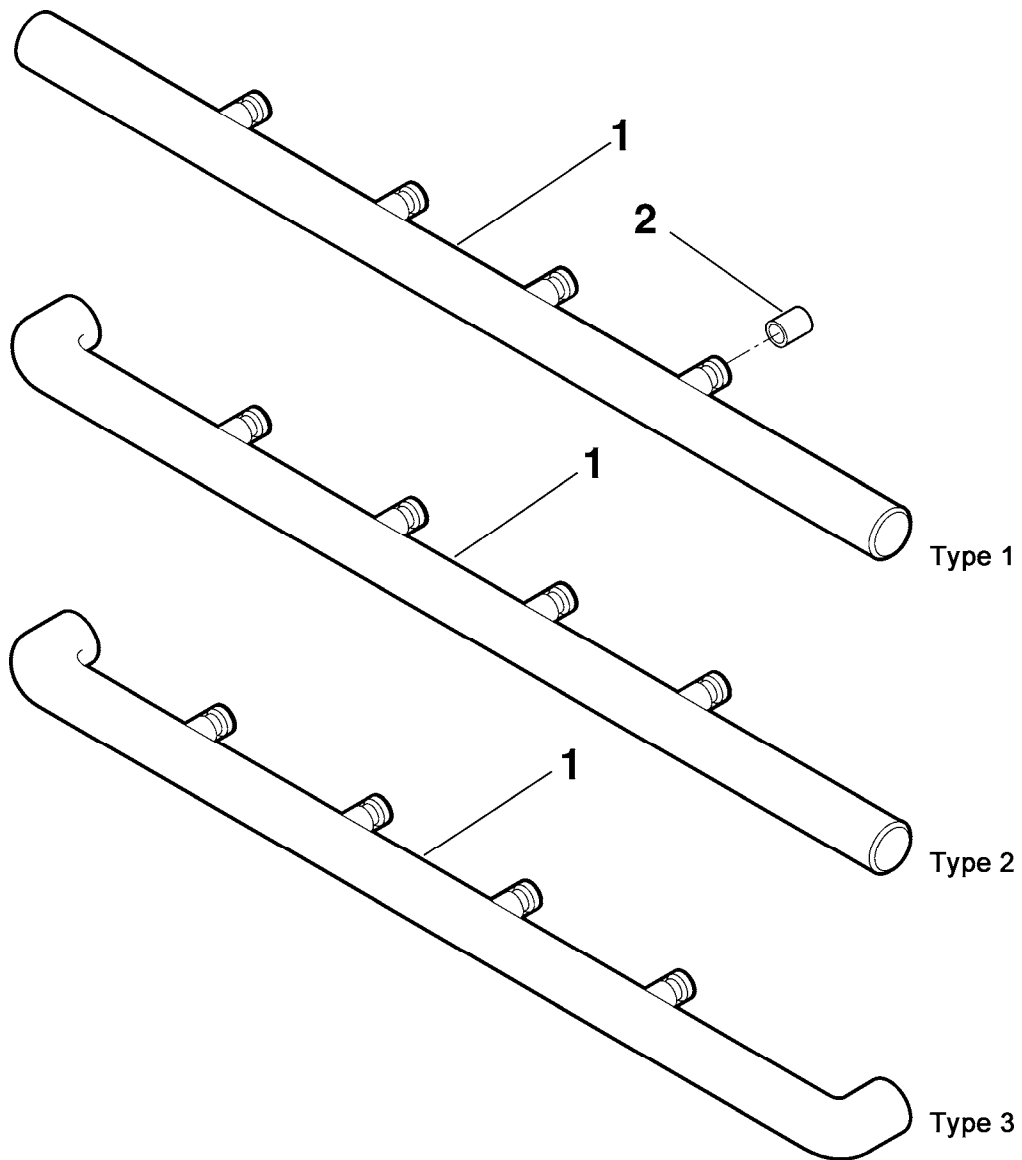
See illustration on page 18.

ALL VINTAGES						
REF. No.	PART No.	WIDTH	TYPE	LENGTH	DUTY	DESCRIPTION
1	AAA139BJ145-__	4.0	1	56.29	2000, 2100,	Handrail, Type DH51, See NOTE
	AAA139BJ146-__	8.0	1		4500H, 5000H AIA	
	AAA139BJ151-__	4.0	1	68.29	2500, 3000,	
	AAA139BJ152-__	8.0	1		3500	
	AAA139BJ157-__	4.0	1	80.29	4000	
	AAA139BJ158-__	8.0	1			
2	322T434	Kit, Handrail Standoff, Includes (3) Stainless Steel & Hardware				
	322T435	Kit, Handrail Standoff, Includes (3) Bronze & Hardware				
	322T436	Kit, Handrail Standoff, Includes (2) Stainless Steel & Hardware				
	322T437	Kit, Handrail Standoff, Includes (2) Bronze & Hardware				

NOTE: For complete part number, add the material finish code as follows:

MF4 = Brushed Stainless Steel; **SS8** = Mirror Stainless Steel;

BR7 = Brushed Bronze; **BR8** = Mirror Bronze.



NOTE: Length is measured from edge to edge.
See detailed parts listing on following pages.

(Continued on next page)

Car Handrails DH154

14-AAA24000CC

See illustration on page 21.

ALL VINTAGES						
REF. No.	PART No.	DIAMETER	TYPE	LENGTH	DUTY	DESCRIPTION
1	AAA139BF1-	1.50	1	39.14	2000, 2100, 2500	Handrail, Type DH154, See NOTE
	AAA139BF2-	2.00	1			
	AAA139BF5-	1.50	2			
	AAA139BF6-	2.00	2			
	AAA139BF13-	1.50	1	39.75		
	AAA139BF14-	2.00	1			
	AAA139BF17-	1.50	2			
	AAA139BF18-	2.00	2			
	AAA139BF21-	1.50	3			
	AAA139BF22-	2.00	3			
	AAA139BF49-	1.50	1	45.14	3000	
	AAA139BF50-	2.00	1			
	AAA139BF53-	1.50	2			
	AAA139BF54-	2.00	2			
	AAA139BF61-	1.50	1	45.75		
	AAA139BF62-	2.00	1			
	AAA139BF65-	1.50	2			
	AAA139BF66-	2.00	2			
	AAA139BF69-	1.50	3			
	AAA139BF70-	2.00	3			
	AAA139BF97-	1.50	1	53.14	3500, 4000	
	AAA139BF98-	2.00	1			
	AAA139BF101-	1.50	2			
	AAA139BF102-	2.00	2			
AAA139BF109-	1.50	1	53.75			
AAA139BF110-	2.00	1				
AAA139BF113-	1.50	2				
AAA139BF114-	2.00	2				
AAA139BF117-	1.50	3				
AAA139BF118-	2.00	3				

NOTE: For complete part number, add the material finish code as follows:

MF4 = Brushed Stainless Steel; **SS8** = Mirror Stainless Steel;

BR7 = Brushed Bronze; **BR8** = Mirror Bronze.

(Continued on next page)

See illustration on page 21.

ALL VINTAGES							
REF. No.	PART No.	DIAMETER	TYPE	LENGTH	DUTY	DESCRIPTION	
1	AAA139BF289-__	1.50	1	56.29	2500, 3000, 3500	Handrail, Type DH154, See NOTE	
	AAA139BF290-__	2.00	1				
	AAA139BF301-__	1.50	1	68.29			
	AAA139BF302-__	2.00	1				
	AAA139BF313-__	1.50	1	80.29			4000
	AAA139BF314-__	2.00	1				
2	AAA322AJ426-__	Kit, Handrail Standoff, Type AAA139BF, Handrail Diameter = 1.50 in., Includes 2 Selective Finish & Hardware, See NOTE					
	AAA322AJ427-__	Kit, Handrail Standoff, Type AAA139BF, Handrail Diameter = 1.50 in., Includes 3 Selective Finish & Hardware, See NOTE					
	AAA322AJ428-__	Kit, Handrail Standoff, Type AAA139BF, Handrail Diameter = 2.00 in., Includes 2 Selective Finish & Hardware, See NOTE					
	AAA322AJ429-__	Kit, Handrail Standoff, Type AAA139BF, Handrail Diameter = 2.00 in., Includes 3 Selective Finish & Hardware, See NOTE					

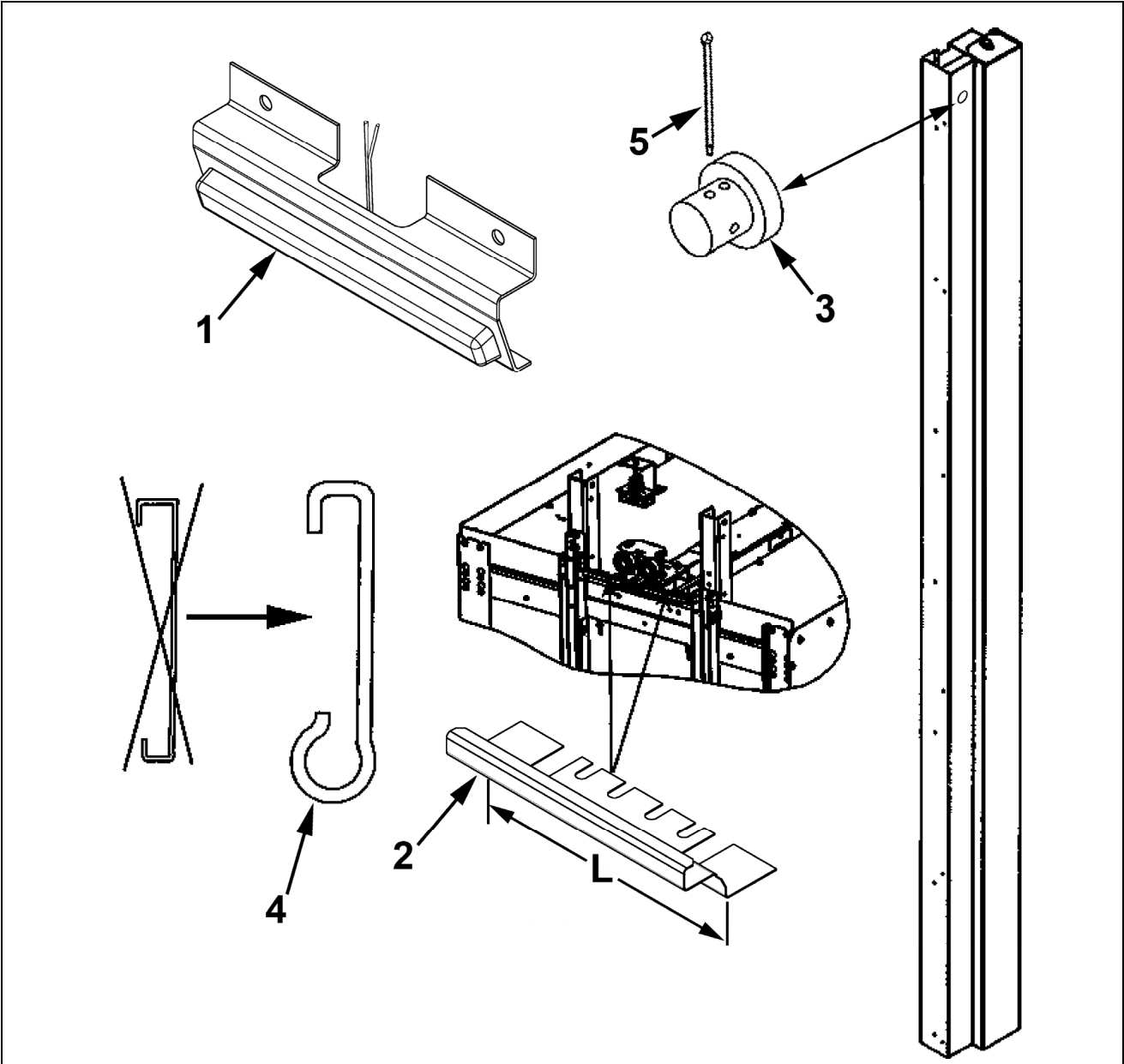
NOTE: For complete part number, add the material finish code as follows:

MF4 = Brushed Stainless Steel; **SS8** = Mirror Stainless Steel;

BR7 = Brushed Bronze; **BR8** = Mirror Bronze.

Miscellaneous Parts

14-AAA24000CC



ALL VINTAGES		
REF. No.	PART No.	DESCRIPTION
1	AAA417CS1	Assembly, Emergency Light Fixture (COP, Series 4 fixtures only)
2	AAA316HKB1	Bracket, L = 200 mm (2100/2500 lb. duties)
	AAA316HKB2	Bracket, L = 275 mm (3000/3500/4000 lb. duties)
3	320CV2	Bumper
4	347TL5	Hook, Pad, Steel Galvanized
	347TL7	Hook, Pad, Black Vinyl Coated
5	ISO1234-2x40Z	Pin, Cotter, 2 mm x 40 mm Long