

Carframe & Platform

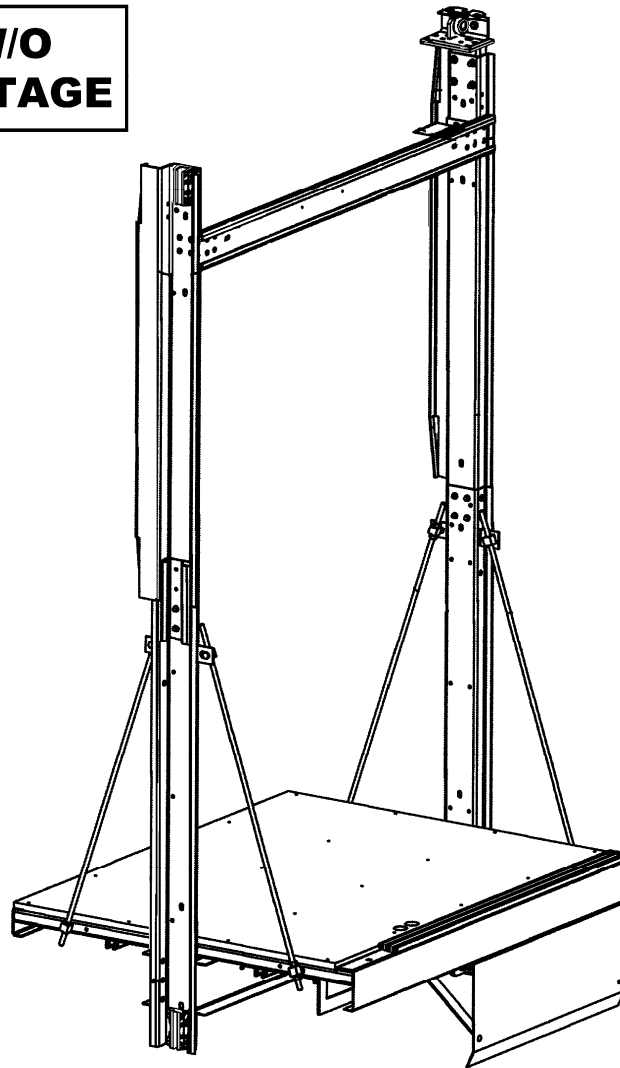
(2000-5000 lb. Duty, LVM)

Spare Parts Leaflet

14-AAA24000M

October 6, 2010 / Page 1 of 6

**W/O
VINTAGE**



OTIS

Safety First!

SERVICE ENGINEERING
Otis Elevator Company
Bloomfield, Connecticut USA

Leaflet Description

This leaflet provides spare parts information for type AAA24000M carframe and platform assembly. This carframe was first used on the LVM holed hydraulic elevator system.

Leaflet Revisions

Date Revised	Subject Matter Expert	Reason for Revision
January 10, 2003	Troy Chicoine	New SPL
October 6, 2010	Troy Chicoine	p. 6 add data tag

Related Drawings

Drawing No.	Title	Drawing No.	Title
ABA24000M	Assembly, Carframe and Platform 2000-500H Duty, LVM	AAA24220M	Platform Assembly

Related Documents

Document ID	Title
---	---

Subject Matter Expert

Name	Department
Troy Chicoine	Service Engineering

About Spare Parts Leaflets...

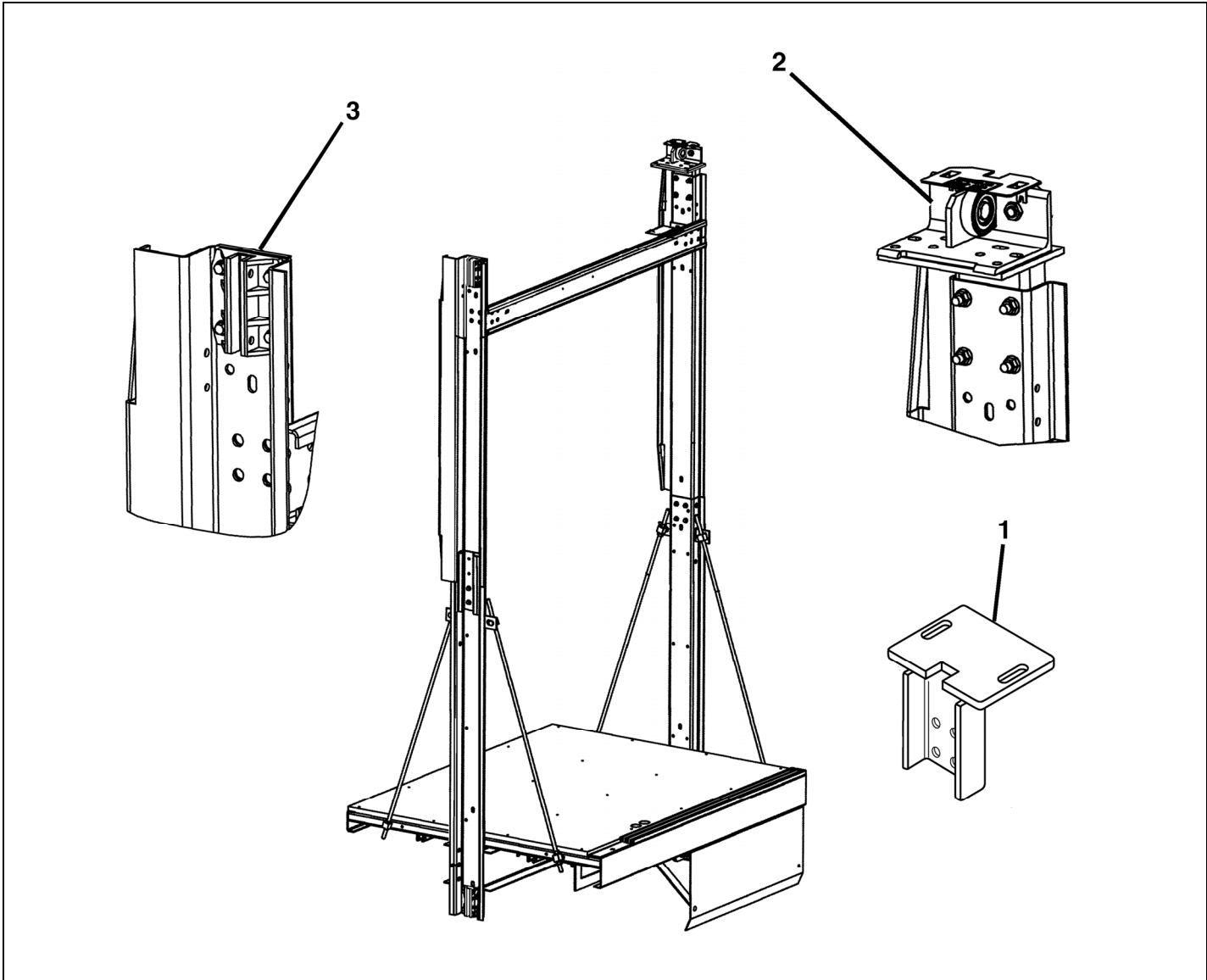
This document lists the lowest replaceable units (LRUs) for the standard version of the product. The LRUs are chosen by a team of Otis associates representing engineering and manufacturing.

While goal of this document is to make parts identification as easy as possible, the document cannot be all-inclusive. Elevator and escalator contracts classified as "special" or "custom" are not addressed here. For such contracts, please refer to specified information, the contract folder, TIPs, Field Education Articles, Construction Letters, etc. for further information.

If you have any suggestions about this document, please contact the subject matter expert listed on this page.

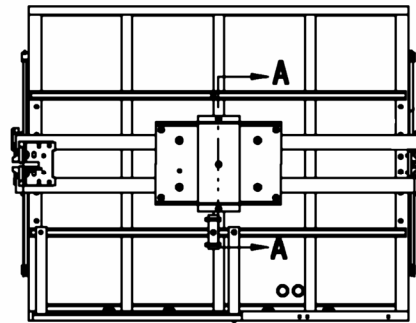
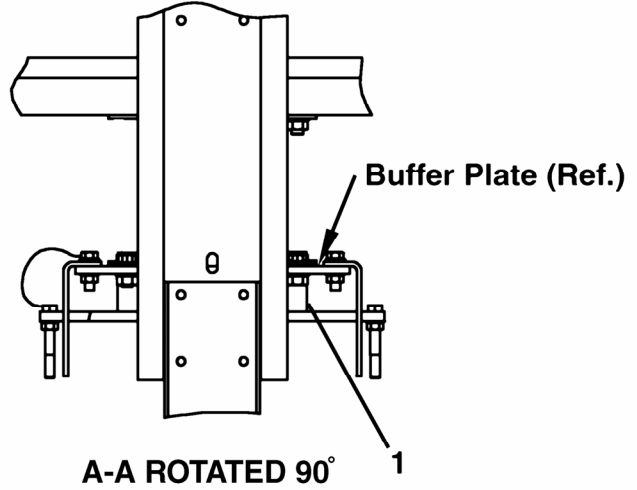
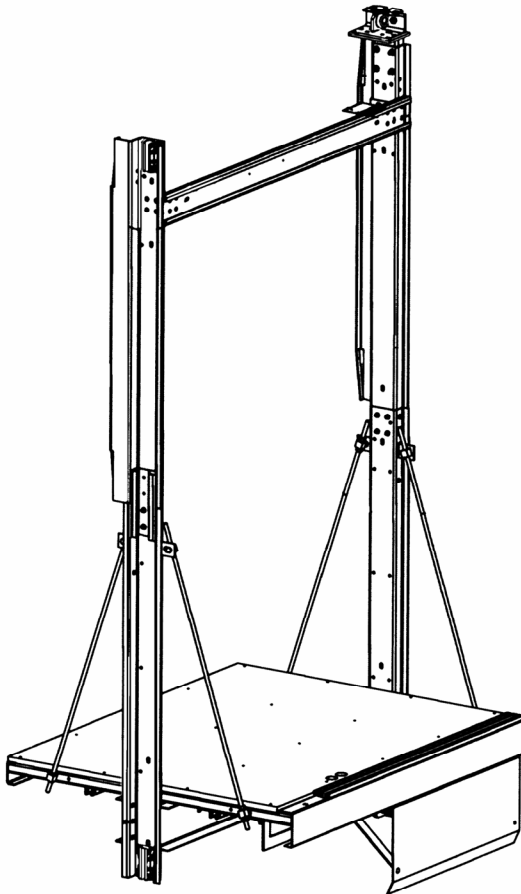
Carframe Guide Shoes

14-AAA24000M



W/O VINTAGE		
REF. No.	PART No.	DESCRIPTION
1	AAA270CC2	Adapter (for roller guide shoe)
2	KAA25830B3	Guide Shoe, Roller, with Guard (top guide shoes) SPL 14-KAA25830B
	KAA25830B4	Guide Shoe, Roller, (bottom guide shoes) SPL 14-KAA25830B
3	AAB24179A2	Guide Shoe, Slide, SPL 14-AAA24179A
*	ABA24000M410	Kit, Hardware (for slide guide shoe) with (12) shims, (4) 3/8-16x1-1/4 whiz bolts, and (4) 3/8-16 whiz nuts
	ABA24000M411	Kit, Hardware (for roller guide shoe) with (16) 3/8-16x1-1/4 whiz bolts, and (16) 3/8-16 whiz nuts

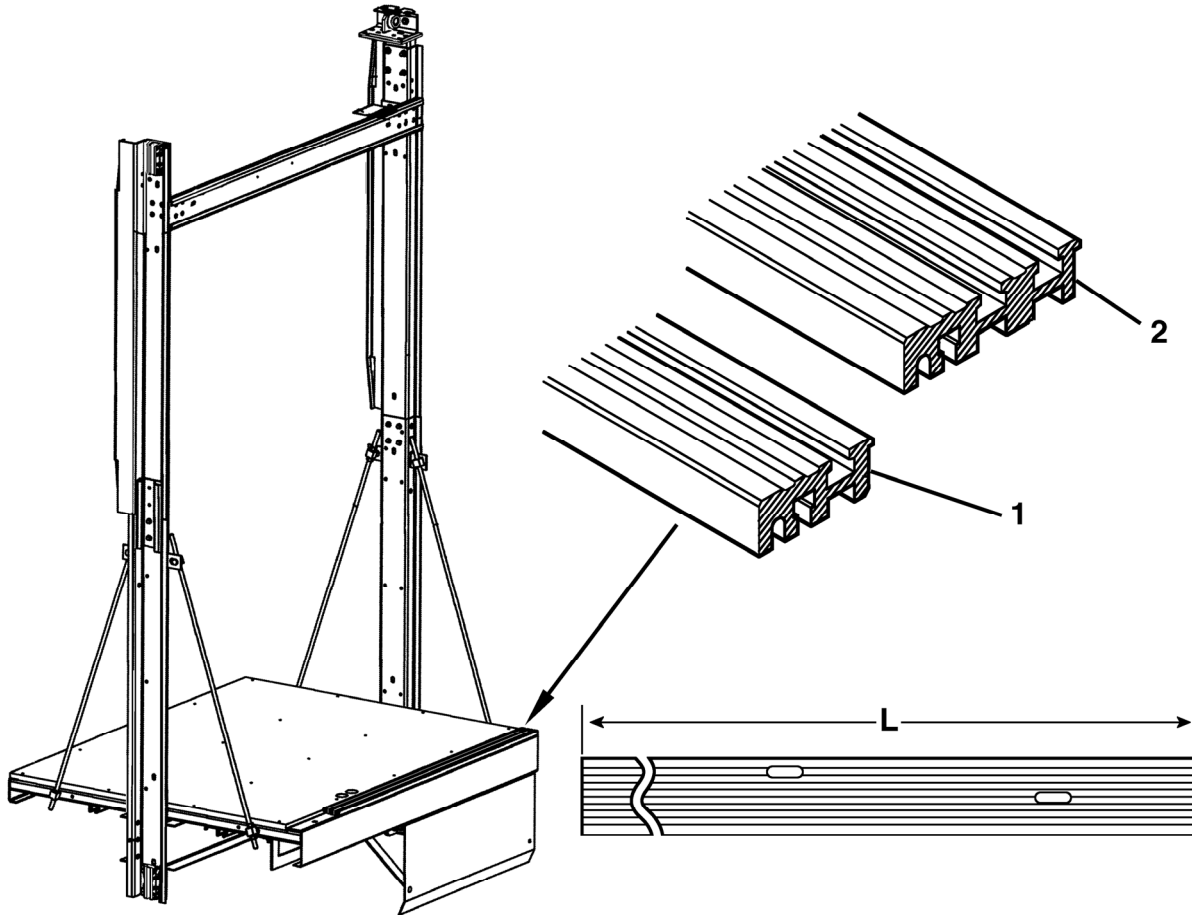
* Part not shown



W/O VINTAGE		
REF. No.	PART No.	DESCRIPTION
1	AAA310PJ2	Pad, Sound Isolation (located below platen plate)

Threshold Plates

14-AAA24000M



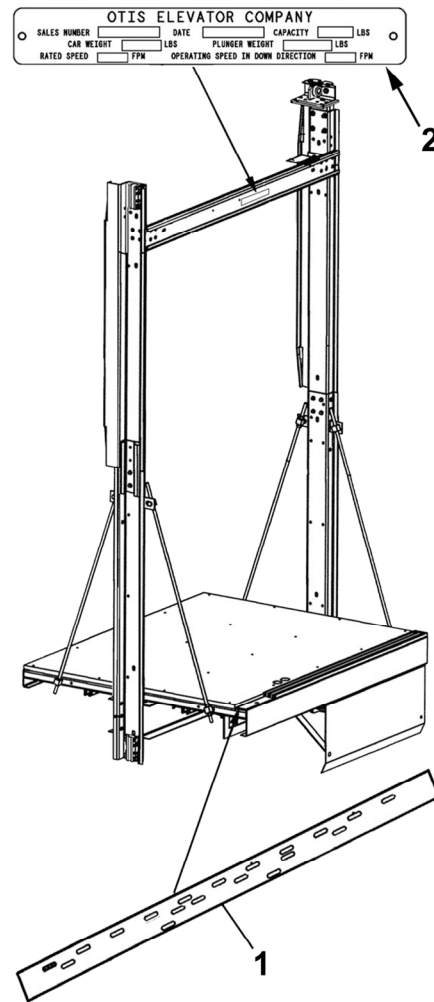
W/O VINTAGE		
REF. No.	PART No.	DESCRIPTION
1	AAA280BD1-__	Plate, Threshold, 55.0 in. L, \boxed{W} 32.0 in. Single-Slide Door
	AAA280BD2-__	Plate, Threshold, 61.0 in. L, \boxed{W} 36.0 in. Single-Slide Door
	AAA280BD3-__	Plate, Threshold, 70.0 in. L, \boxed{W} 42.0 in. Single-Slide and Center-Opening Doors
	AAA280BD4-__	Plate, Threshold, 82.0 in. L, \boxed{W} 48.0 in. Center-Opening Doors
	AAA50AUD1-__-84	Plate, Threshold, 84.0 in. L, (Field cut to suit)
2	AAA280BD5-__	Plate, Threshold, 72.5 in. L, \boxed{W} 48.0 in. Two-Speed Doors
	AAA280BD6-__	Plate, Threshold, 75.5 in. L, \boxed{W} 54.0 in. Two-Speed Doors
	AAA50AUE1-__-84	Plate, Threshold, 84.0 in. L, (Field cut to suit)

NOTE: Complete the part number with the material finish. 41 = Aluminum, 7 = Bronze, and 45 = Silver

14-AAA24000M

Threshold Spacer (for non-standard floor depths)

Duty (Lb.)	Door Opening (In.) & Type	Floor Thickness (In.)		Total Spacer Thickness (In.)	Use
		From	To		
2000/2100	36 S/S	0.38	0.50	0.13	(1) AAA462AP16
		0.51	0.63	0.25	(1) AAA462AP3
		0.64	0.75	0.38	(1) AAA462AP4
		0.76	0.88	0.50	(2) AAA462AP3
		0.89	1.00	0.63	(1) AAA462AP3 & (1) AAA462AP4
		1.01	1.13	0.75	(2) AAA462AP4
		1.14	1.25	0.88	(2) AAA462AP4 & (1) AAA462AP16
2500 - 3500	42 S/S & C/O	0.38	0.50	0.13	(1) AAA462AP17
		0.51	0.63	0.25	(1) AAA462AP5
		0.64	0.75	0.38	(1) AAA462AP6
		0.76	0.88	0.50	(2) AAA462AP5
		0.89	1.00	0.63	(1) AAA462AP5 & (1) AAA462AP6
		1.01	1.13	0.75	(2) AAA462AP6
4500H	48 2/S	0.38	0.50	0.13	(1) AAA462AP20
		0.51	0.63	0.25	(1) AAA462AP11
		0.64	0.75	0.38	(1) AAA462AP12
		0.76	0.88	0.50	(2) AAA462AP11
		0.89	1.00	0.63	(1) AAA462AP11 & (1) AAA462AP12
		1.01	1.13	0.75	(2) AAA462AP12
5000H	54 2/S	1.14	1.25	0.88	(2) AAA462AP12 & (1) AAA462AP20
		0.38	0.50	0.13	(1) AAA462AP21
		0.51	0.63	0.25	(1) AAA462AP13
		0.64	0.75	0.38	(1) AAA462AP14
		0.76	0.88	0.50	(2) AAA462AP13
		0.89	1.00	0.63	(1) AAA462AP13 & (1) AAA462AP14
		1.01	1.13	0.75	(2) AAA462AP14 & (1) AAA462AP21



W/O VINTAGE				
REF. NO.	PART NO.	DESCRIPTION	LENGTH (in.)	THICKNESS (in.)
1	AAA462AP3	Spacer, Threshold	70.75	0.25
	AAA462AP4			0.38
	AAA462AP16			0.13
	AAA462AP5		82.75	0.25
	AAA462AP6			0.38
	AAA462AP17			0.13
	AAA462AP11		70.75	0.25
	AAA462AP12			0.38
	AAA462AP20			0.13
	AAA462AP13		73.75	0.25
	AAA462AP14			0.38
	AAA462AP21			0.13
2	AAA102ADY1	Tag, Data		