

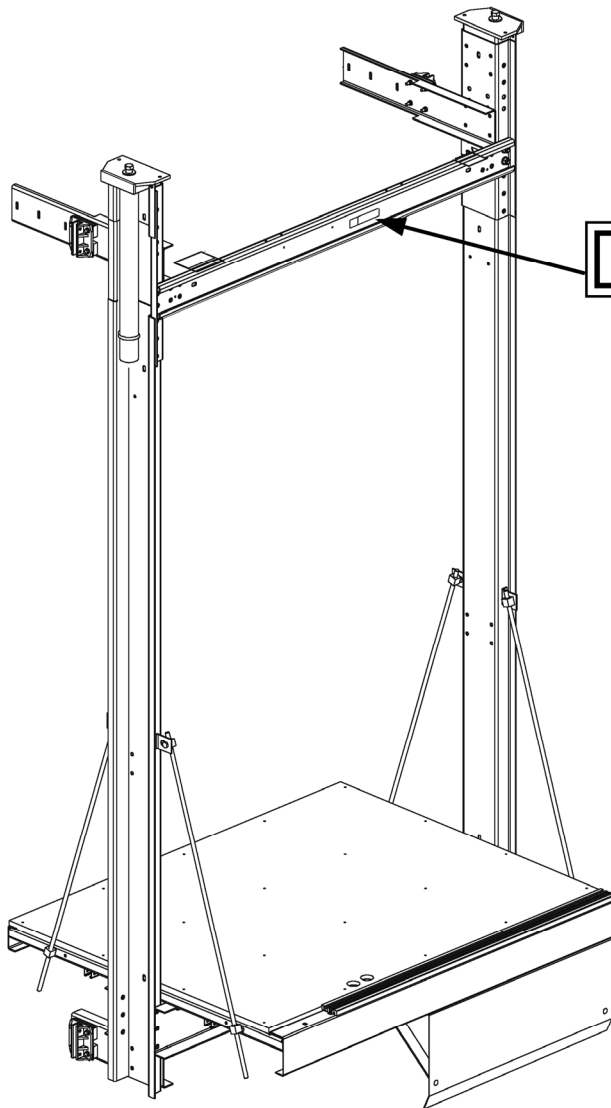
# Carframe & Platform

(Direct Holeless and Telescopic)

**Spare Parts Leaflet**

**14-AAA24000N**

**September 19, 2003 / Page 1 of 5**



**W/O  
VINTAGE**

and

**14 H - ABA24000N**

**OTIS**

**Safety First!**

**SERVICE ENGINEERING**  
Otis Elevator Company  
Bloomfield, Connecticut USA

**Leaflet Description**

This leaflet provides spare parts information for type AAA24000N carframe and platform assembly. This carframe is used with direct holeless and telescopic hydraulic elevator systems.

**Leaflet Revisions**

<b>Date Revised</b>	<b>Subject Matter Expert</b>	<b>Reason for Revision</b>
September 19, 2003	Troy Chicoine	New SPL

**Related Drawings**

<b>Drawing No.</b>	<b>Title</b>	<b>Drawing No.</b>	<b>Title</b>
ACA24000N	Assembly Carframe and Platform Direct Holeless and Telescopic	AAA24220M	Platform Assembly
AAA24220E	Platform Assembly		

**Related Documents**

<b>Document ID</b>	<b>Title</b>
SPL 03-AAA22840A	Two-Stage Plunger/Cylinder Assembly
SPL 14-AAA24179A	Guide Shoe, Slide

**Subject Matter Expert**

<b>Name</b>	<b>Department</b>
Troy Chicoine	OSC Service Engineering

**About Spare Parts Leaflets...**

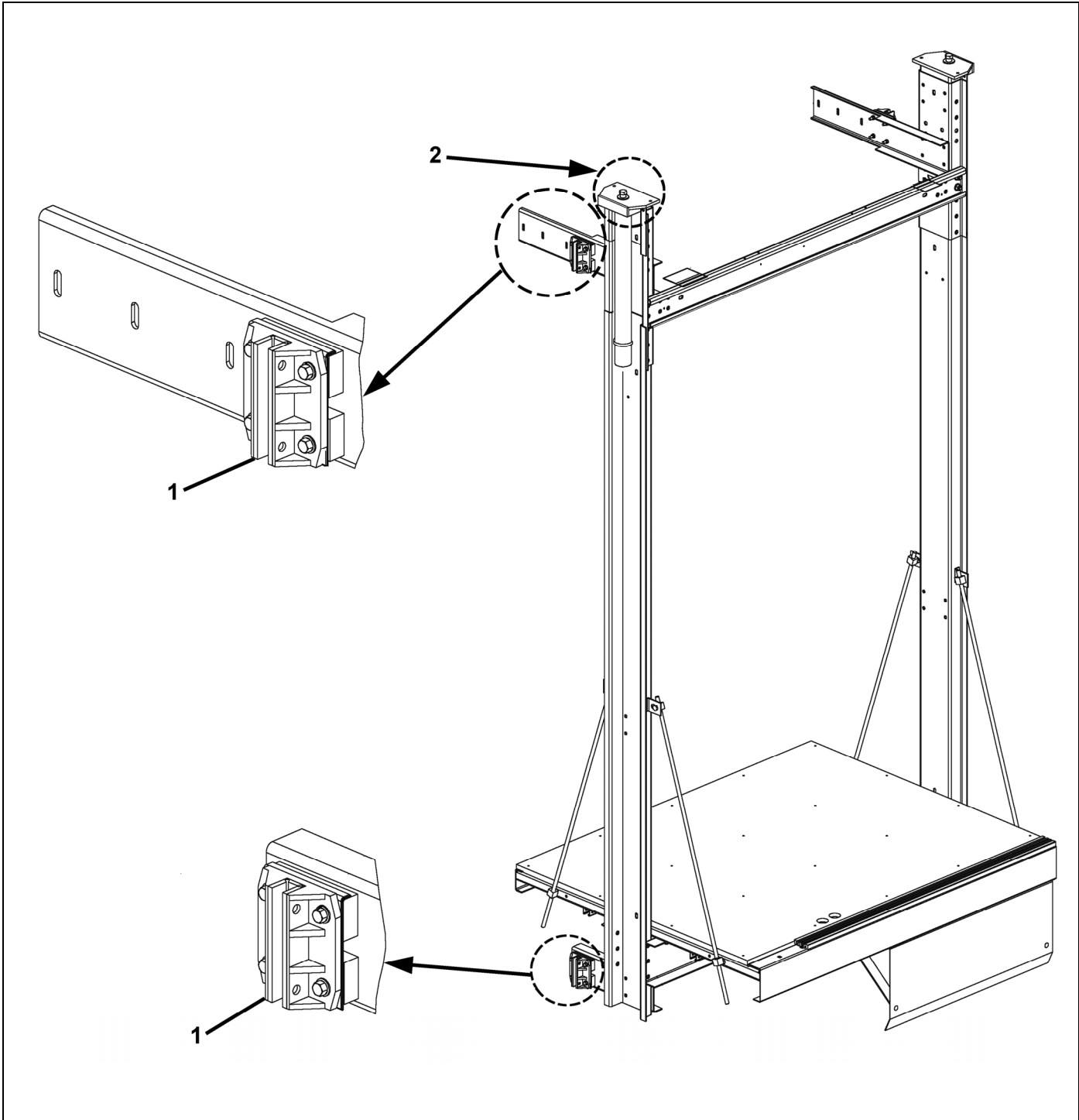
This document lists the lowest replaceable units (LRUs) for the standard version of the product. The LRUs are chosen by a team of Otis associates representing engineering and manufacturing.



While goal of this document is to make parts identification as easy as possible, the document cannot be all-inclusive. Elevator and escalator contracts classified as "special" or "custom" are not addressed here. For such contracts, please refer to specified information, the contract folder, TIPs, Field Education Articles, Construction Letters, etc. for further information.

If you have any suggestions about this document, please contact the subject matter expert listed on this page.

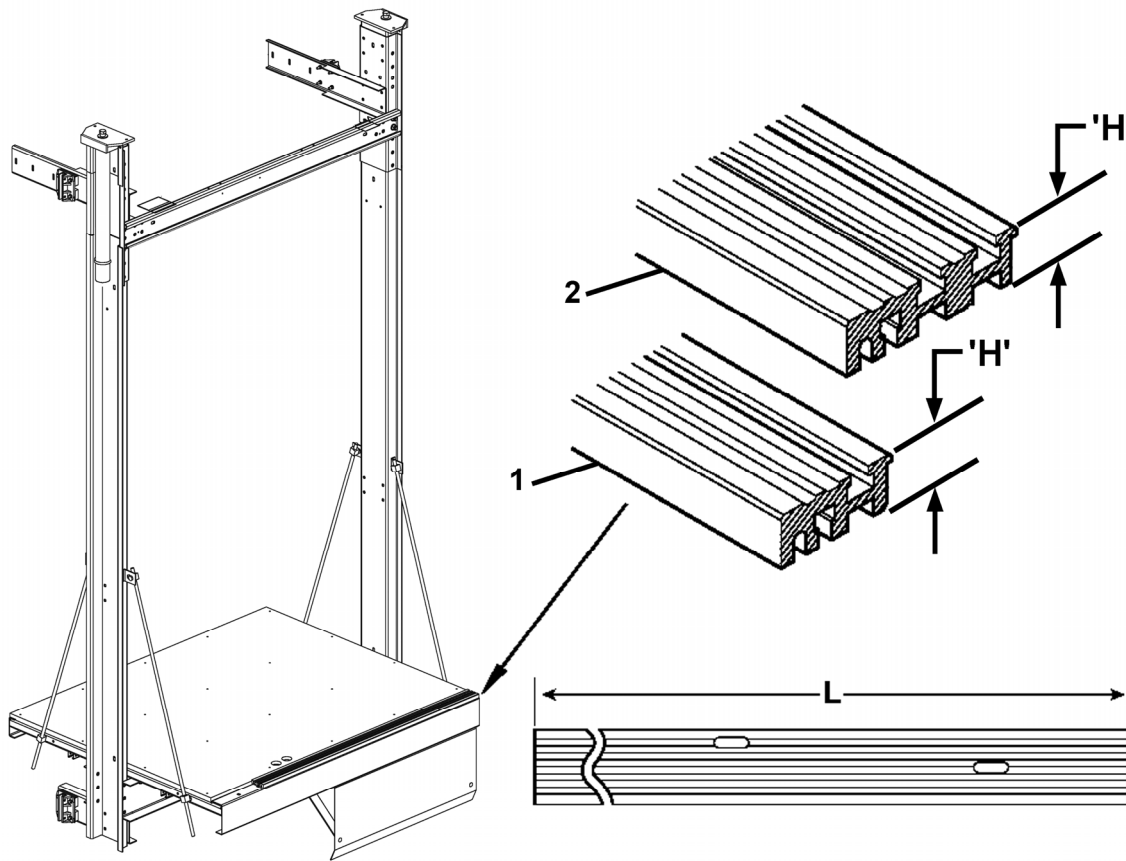
# Carframe Guide Shoes

**14-AAA2400N**






W/O VINTAGE & ABA24000N		
REF. No.	PART No.	DESCRIPTION
1	AAB24179A2	Guide Shoe, Slide,  SPL 14-AAA24179A
2	---	Kit, Plunger Connection,  SPL 03-AAA22840A

**Threshold Plates**



**W/O VINTAGE & ABA24000N**

REF. No.	PART No.			Threshold Plate Applications			
	H = 1.340 (in.)	H = 1.220 (in.)	H = 0.820 (in.)	Opening (in.)	Door Type	'L' (in.)	SEE NOTE
	 10/7/91-4/2/00	 4/3/00-12/25/01	 12/26/01-				
1	AAA280AW4__	AAA280BC4__	AAA280BD2-__	36	Single-Slide	61	1-3
	AAA280AW7__	AAA280BC7__	AAA280BD3-__	42	Single-Slide, Center-Opening	70	
	AAA280AW11__	AAA280BC11__	AAA280BD4-__	48	Center-Opening	82	
	AAA50APJ__	AAA50ATX__	AAA50AUD-__	---	---	84	1-4
2	AAA280AW17__	AAA280BC17__	AAA280BD5-__	48	Two-Speed	72.5	1-3
	AAA280AW16__	AAA280BC16__	AAA280BD6-__	54	Two-Speed	75.5	
	AAA50APK__	AAA50ATW__	AAA50AUE-__	---	---	84	1-4

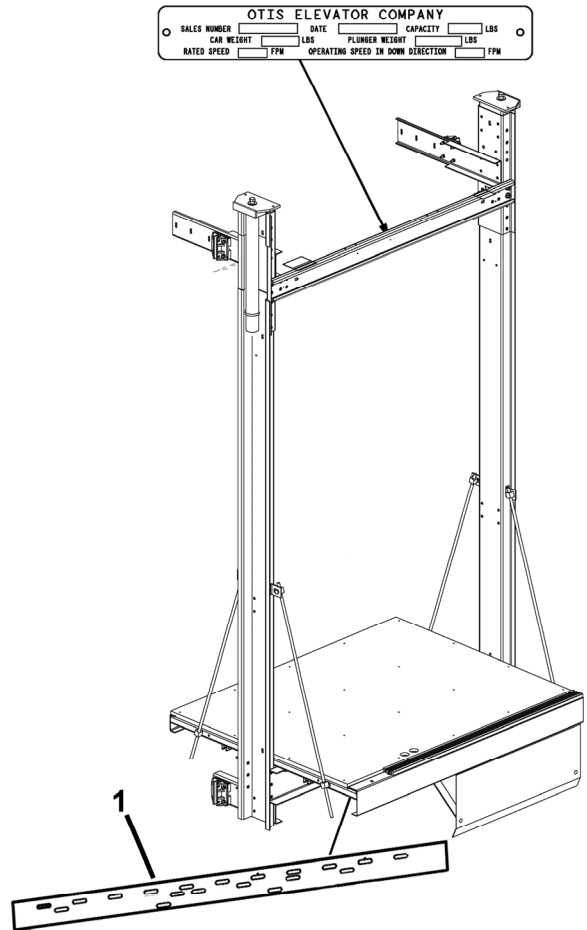
- NOTES:**
- 1) Complete the part number with the material finish: 41, aluminum, 7, bronze, and 45, silver. All listed threshold plates are configured without an OTIS medallion.
  - 2) Select spacers from page 5 if 'H' is 1.220 or 1.340 inches to make up difference for the 0.820 high threshold plate.
  - 3) Contact OSC Customer Service for threshold plate with an OTIS medallion.
  - 4) Cut at jobsite to desired length.

# Threshold Spacer (for non-standard floor depths)

# 14-AAA2400N

Table 1: Threshold Spacer Thickness

Duty (lb.)	Door Opening (in.) & Type	Floor Thickness (in.)		Total Spacer Thickness (in.)	Use
		From	To		
2000/2100	36 S/S	0.38	0.50	0.13	(1) AAA462AP16
		0.51	0.63	0.25	(1) AAA462AP3
		0.64	0.75	0.38	(1) AAA462AP4
		0.76	0.88	0.50	(1) AAA462AP3
		0.89	1.00	0.63	(1) AAA462AP3 & (1) AAA462AP4
		1.01	1.13	0.15	(2) AAA462AP4
2500 -3500	42 S/S & C/O	0.38	0.50	0.13	(1) AAA462AP17
		0.51	0.63	0.25	(1) AAA462AP5
		0.64	0.75	0.38	(1) AAA462AP6
		0.76	0.88	0.50	(2) AAA462AP5
		0.89	1.00	0.63	(1) AAA462AP5 & (1) AAA462AP6
		1.01	1.13	0.75	(2) AAA462AP6
4500H	48 2/S	0.38	0.50	0.13	(1) AAA462AP20
		0.51	0.63	0.25	(1) AAA462AP11
		0.64	0.75	0.38	(1) AAA462AP12
		0.76	0.88	0.75	(2) AAA462AP11
		0.89	1.00	0.63	(1) AAA462AP11 & (1) AAA462AP12
		1.01	1.13	0.75	(2) AAA462AP12
5000H	54 2/S	0.38	0.50	0.13	(1) AAA462AP21
		0.51	0.63	0.25	(1) AAA462AP13
		0.64	0.75	0.38	(1) AAA462AP14
		0.76	0.88	0.50	(2) AAA462AP13
		0.89	1.00	0.63	(1) AAA462AP13 & (1) AAA462AP14
		1.01	1.13	0.75	(2) AAA462AP14
1.14	1.25	0.88	(2) AAA462AP14 & (1) AAA462AP21		



**W/O VINTAGE & ABA2400N**

REF. NO.	PART NO.	DESCRIPTION	LENGTH (in.)	THICKNESS (in.)
1	AAA462AP3	Spacer, Threshold	70.75	0.25
	AAA462AP4			0.38
	AAA462AP16			0.13
	AAA462AP5		82.75	0.25
	AAA462AP6			0.38
	AAA462AP17			0.13
	AAA462AP11		70.75	0.25
	AAA462AP12			0.38
	AAA462AP20			0.13
	AAA462AP13		73.75	0.25
	AAA462AP14			0.38
	AAA462AP21			0.13