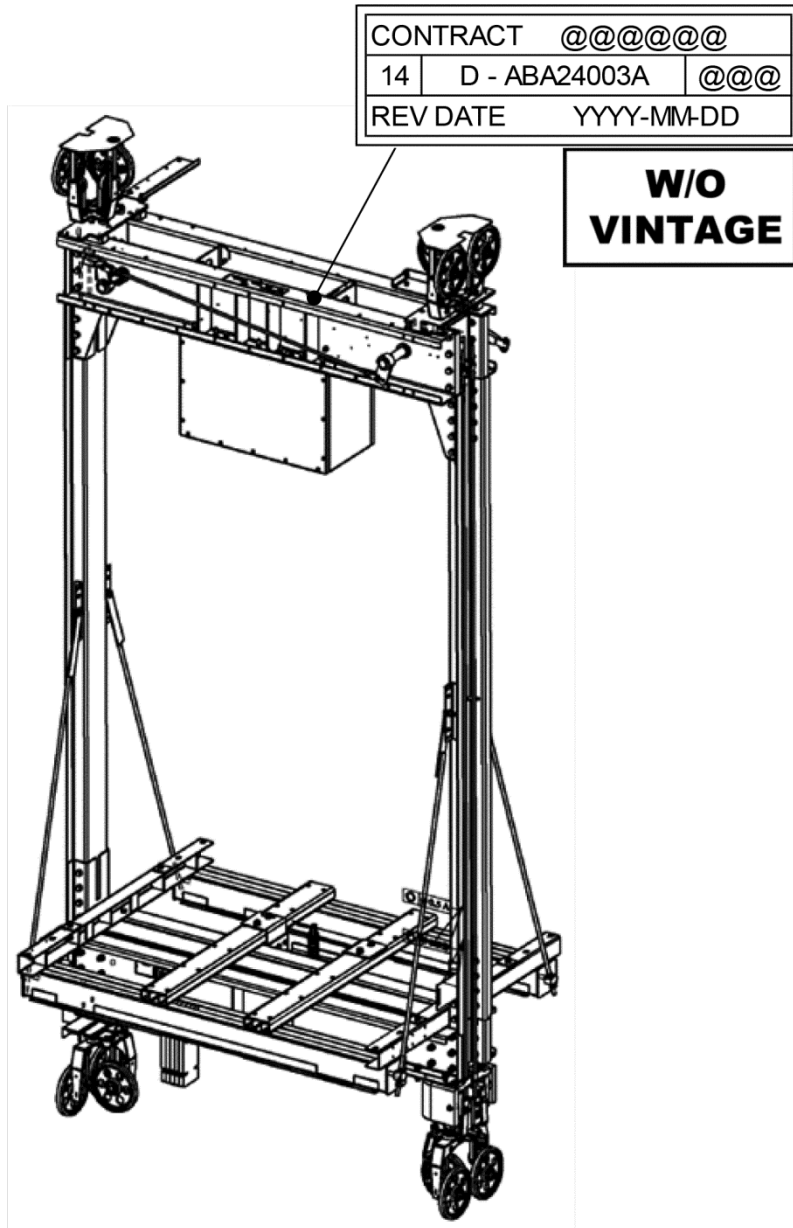


Carframe Assembly Skyrise®

Spare Parts Leaflet

14-AAA24003A

July 8, 2014 / Page 1 of 5



OTIS

SERVICE ENGINEERING
Otis Elevator Company
HRSIT, Shanghai China

Leaflet Description

The SPL describes the lowest replaceable parts for the AAA24003A carframe used on Skyrise.

Leaflet Revisions

Date Revised	Subject Matter Expert	Reason for Revision
July 8, 2014	Goto, Yasuhiro	New SPL

Related Drawings

Drawing No.	Title	Drawing No.	Title
AAA24003A	Assembly, Car Frame		

Related Documents

Document ID	Title
14-AAA24004A	Crosshead Assembly
14-KAA24006A	Car Sheave Assembly
14-JAA24123AAJ	Assembly, Safety Gear, 5C
14-JAA24123AAK	Assembly, Safety Gear, 8C
14-JAA24123AAM	Assembly, Safety Gear, 12C
14-AAA24120F	Assembly, Safety Gear, BLM12C

Subject Matter Expert

Name	Department
Goto, Yasuhiro	SIT High Rise Shanghai

About Spare Parts Leaflets...

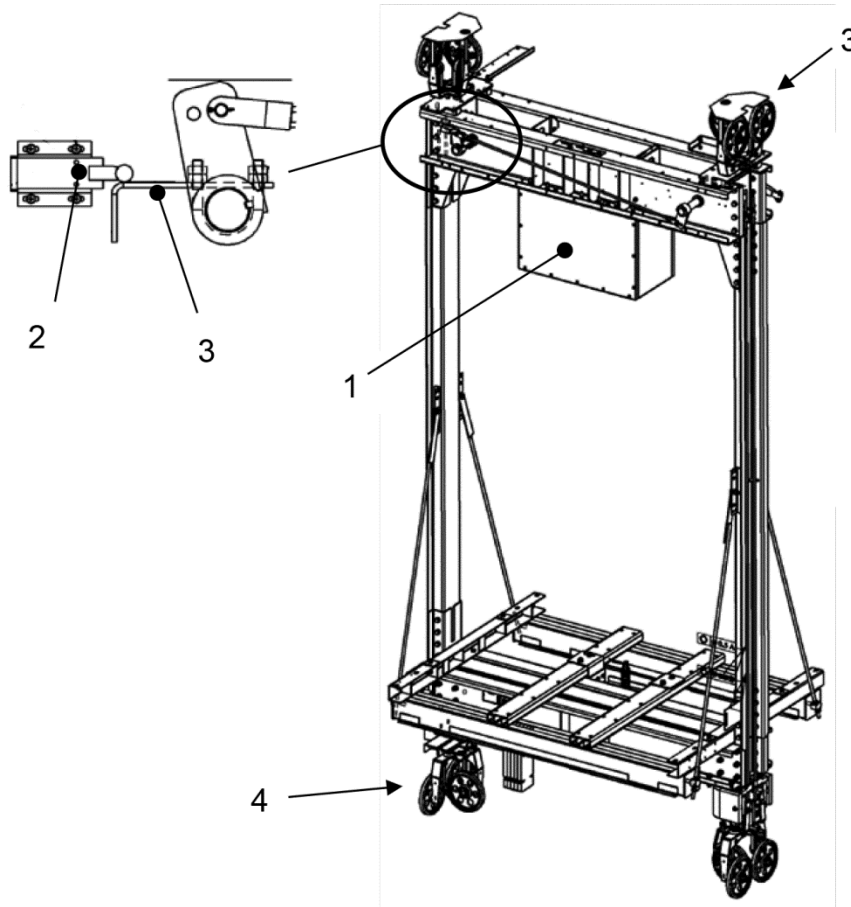
This document lists the lowest replaceable units (LRUs) for the standard version of the product. The LRUs are chosen by a team of Otis associates representing engineering and manufacturing.

While goal of this document is to make parts identification as easy as possible, the document cannot be all-inclusive. Elevator and escalator contracts classified as “special” or “custom” are not addressed here. For such contracts, please refer to specified information, the contract folder, TIPs, Field Education Articles, Construction Letters, etc. for further information.

If you have any suggestions about this document, please contact the subject matter expert listed on this page.

Carframe Assembly

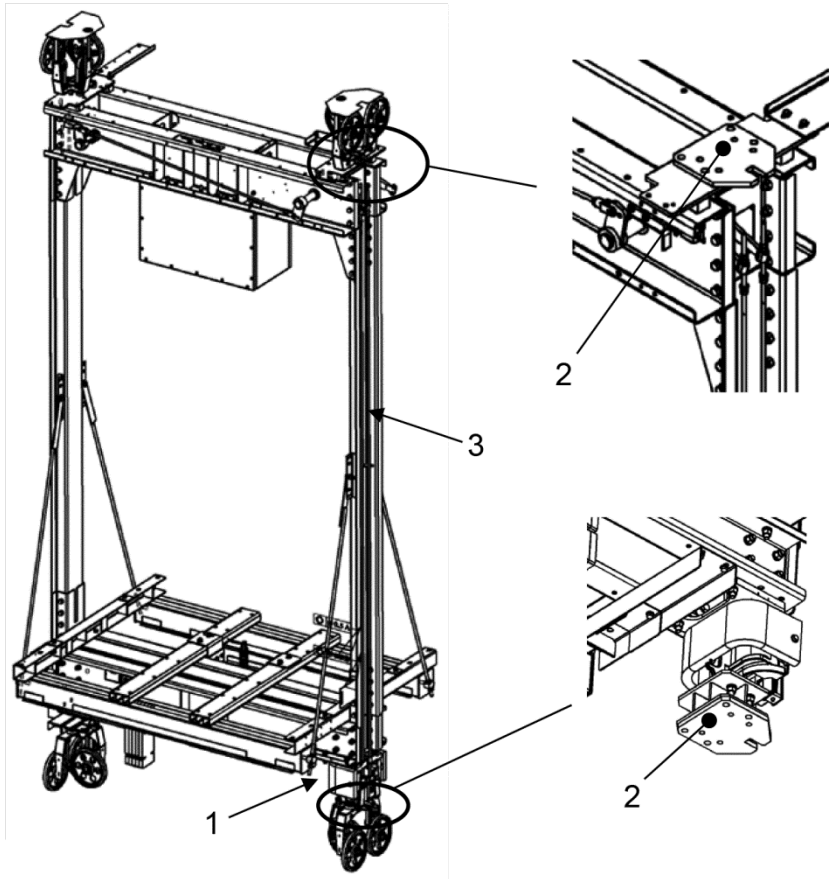
14-AAA24003A








AAA24003A ABA24003A		
REF. No.	PART No.	DESCRIPTION
1	---	2:1 Car Sheave Assembly SPL 14-AAA24006A
2	DAA26900G1	Limit Switch
3	AAA283BED1	Limit Switch Bracket
4	2R64989A	260 mm Roller Guide Assembly, Top, T127-1 (#1-1/2) and T127-2 (#1) Rails
	2R64989B	260 mm Roller Guide Assembly, Bottom, T127-1 (#1-1/2) and T127-2 (#1) Rails
	2R64989E	260 mm Roller Guide Assembly, Top, 140-1 (#3/4) Rails
	2R64989F	260 mm Roller Guide Assembly, Bottom, T140-1 (#3/4) Rails
	---	Roller Guide Assembly (URG) SPL 14- AAA24180AV

Carframe Assembly

14-AAA24003A

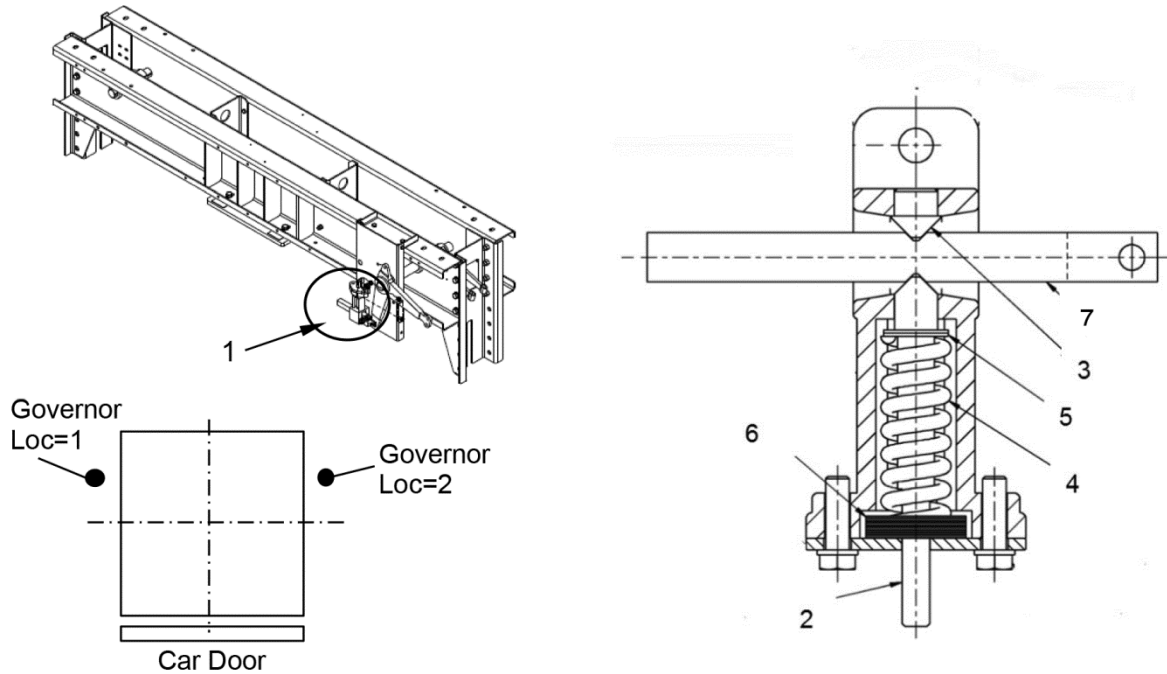


AAA24003A
ABA24003A

REF. No.	PART No.	DESCRIPTION
1	---	Assembly, Safety Gear, 5C  SPL 14- JAA24123AAJ
	---	Assembly, Safety Gear, 8C  SPL 14- JAA24123AAK
	---	Assembly, Safety Gear, 12C  SPL 14- JAA24123AAM
	---	Assembly, Safety Gear, BLM12C  SPL 14-AAA24120F
	---	Assembly, Safety Gear, 11U  SPL 14-AAA24120F
	---	Assembly, Safety Gear, OS6000D, For ENGB Only
2	AAA386MVG1	Retainer Plate for T127-1 or T127-2 Guide Rail *Only Seismic Area
	AAA386MVG2	Retainer Plate for T140 Guide Rail *Only Seismic Area
3	AAA98NE999-___	Safety Lift Rod Order per total length of rod (mm)

Releasing Carrier

14-AAA24003A



		AAA24003A ABA24003A	
REF. No.	PART No.	DESCRIPTION	
1	ABA24004C1	Releasing Carrier, Governor Loc=2, Gov Type: HSXMR	
	ABA24004C2	Releasing Carrier, Governor Loc=2, Gov Type: 7063E / SAMSON	
	ABA24004C3	Releasing Carrier, Governor Loc=1, Gov Type: HSXMR	
	ABA24004C4	Releasing Carrier, Governor Loc=1, Gov Type: 7063E / SAMSON	
2	AAA81RA1	Pin	
3	444G1	Plug	
4	90XC8	Spring	ABA24004C1/3 OD = 33.3 mm, ID = 20.5 mm
	AAA90HK1		ABA24004C2/4 OD = 35.5 mm, ID = 20.5 mm
5	AAA127DC1	Washer, Flat Ferrous OD = 33 mm, ID = 19 mm, 1.6 mm Thick	
6	127VB8	Washer, OD = 50mm, ID = 20.5 mm, 0.8 mm Thick	
7	AAA331DX1	Catch	