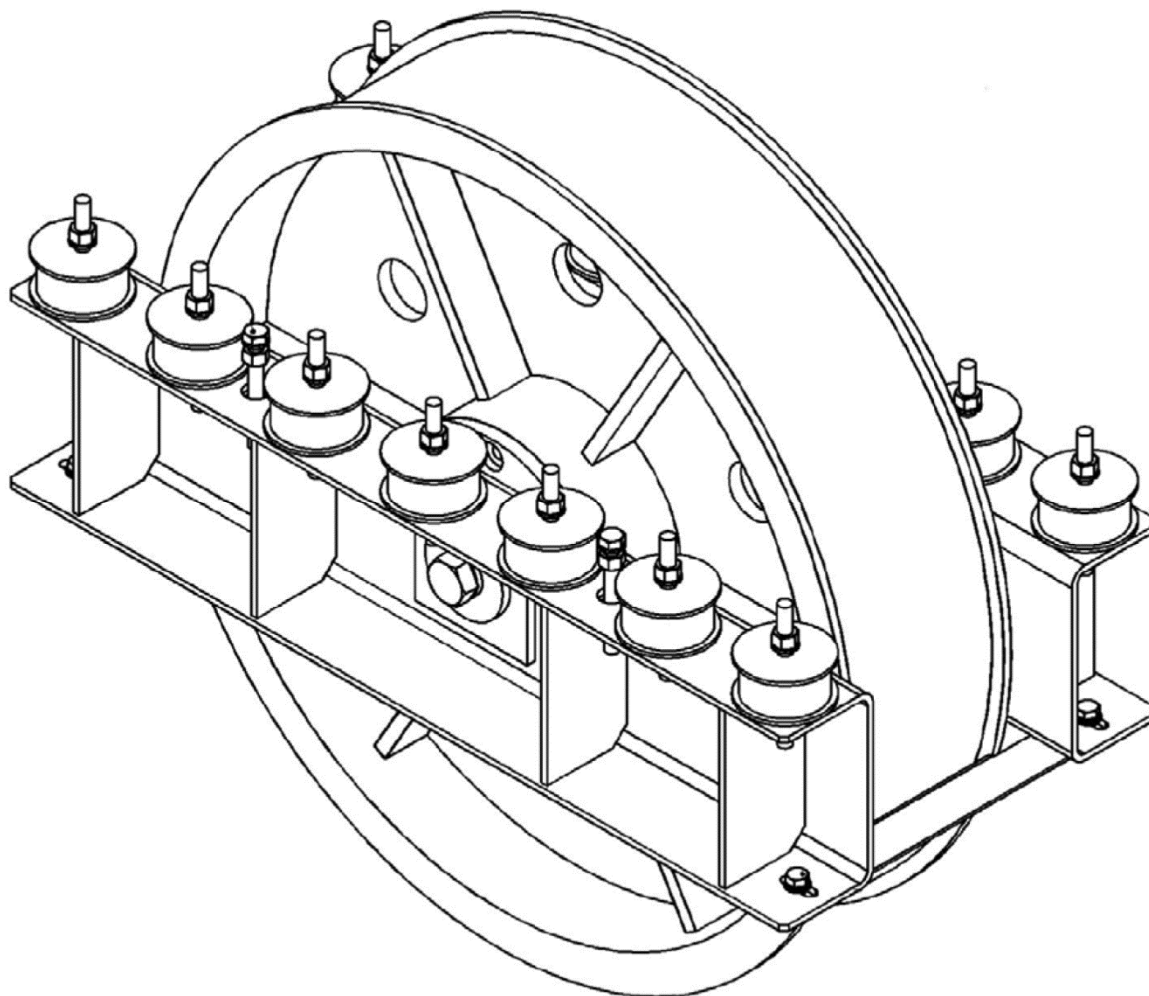


**Hitch Assembly TOC,  
GMH**

**Spare Parts Leaflet  
14-AAA24006A**

**May 24, 2011 / Page 1 of 4**



**OTIS**

**SERVICE ENGINEERING**  
**Otis Elevator Company**  
**HRSIT, Shanghai, China**

Unpublished Work—© Otis Elevator Co.; 2014

**Leaflet Description**

This SPL outlines the LRU components for the top of car hitch assembly. When replacing a sheave, it is highly recommended to replace the sheave, shaft, bearings and covers as an assembly

**Leaflet Revisions**

<b>Date Revised</b>	<b>Subject Matter Expert</b>	<b>Reason for Revision</b>
May 24, 2011	Murata Jiro	New SPL

**Related Drawings**

<b>Drawing No.</b>	<b>Title</b>	<b>Drawing No.</b>	<b>Title</b>
AAA24006A	Hitch Assembly	---	---
AAA24062A	Sheave Assembly	---	---

**Related Documents**

<b>Document ID</b>	<b>Title</b>
---	---
---	---

**Subject Matter Expert**

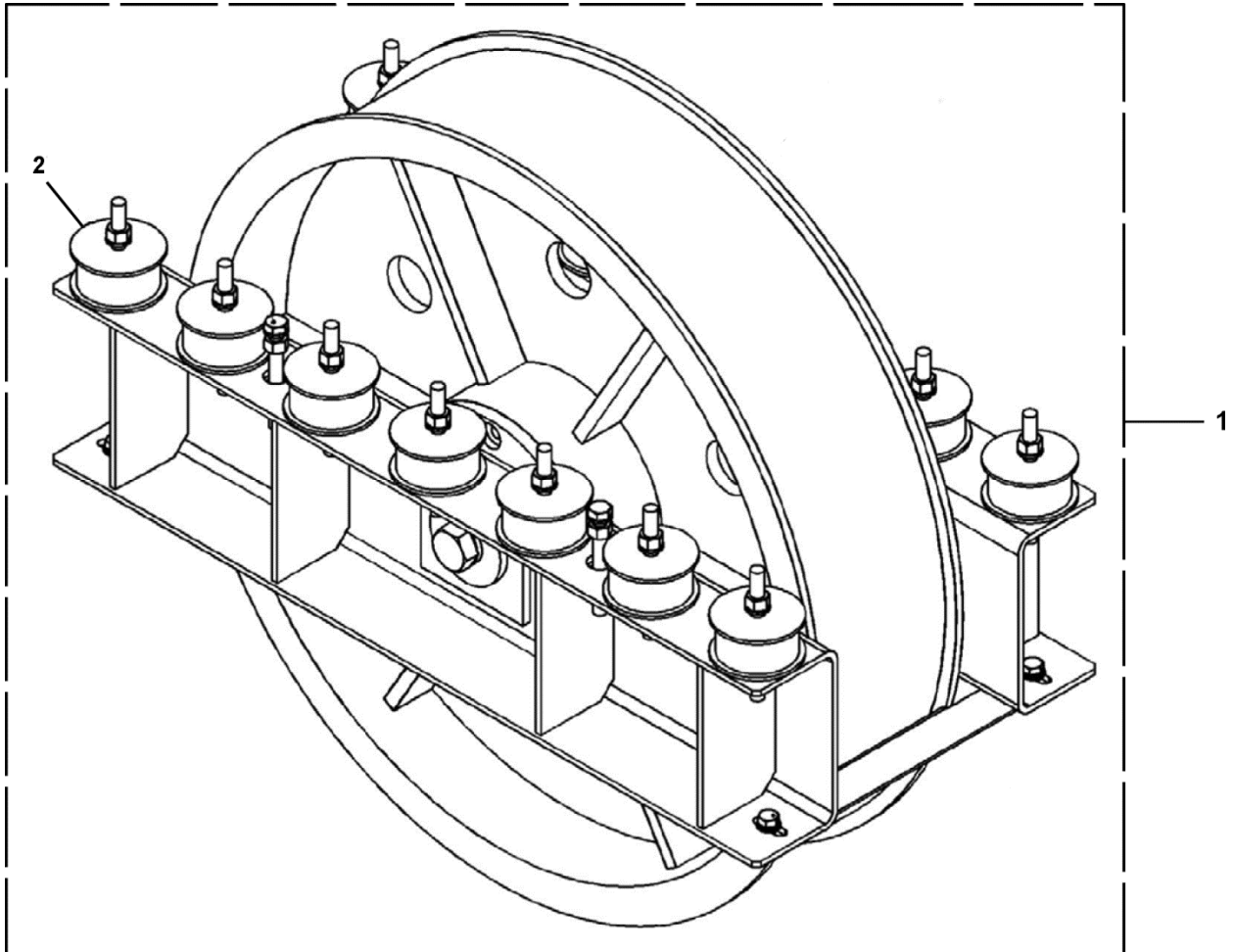
<b>Name</b>	<b>Department</b>
Gary Mendrala	OSC Service Engineering

**About Spare Parts Leaflets...**

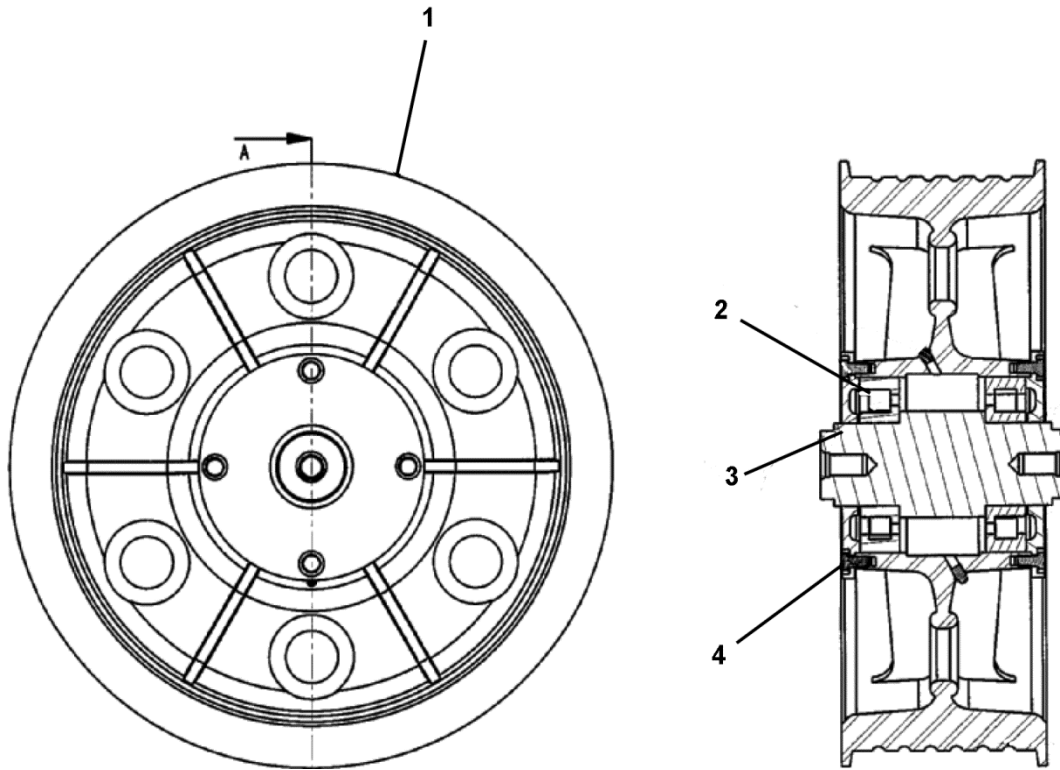
This document lists the lowest replaceable units (LRUs) for the standard version of the product. The LRUs are chosen by a team of Otis associates representing engineering and manufacturing.

While goal of this document is to make parts identification as easy as possible, the document cannot be all-inclusive. Elevator and escalator contracts classified as "special" or "custom" are not addressed here. For such contracts, please refer to specified information, the contract folder, TIPs, Field Education Articles, Construction Letters, etc. for further information.

If you have any suggestions about this document, please contact the subject matter expert listed on this page.



VINTAGE		
REF. No.	PART No.	DESCRIPTION
1	DAA24062M1	Sheave Assembly, Sheave Dia. = 711 mm, 5 Grooves 1/2 in. Rope
	DAA24062M2	Sheave Assembly, Sheave Dia. =711 mm, 6 Grooves, 1/2 in. Rope
	DAA24062M3	Sheave Assembly Sheave Dia. = 711 mm, 7 Grooves, 1/2 in. Rope
2	JAA310AWV2	Rubber



<b>VINTAGE</b>		
<b>REF. No.</b>	<b>PART No.</b>	<b>DESCRIPTION</b>
1	JAA00266AAJ001	Sheave 711 mm Diameter, 5 Grooves, 1/2 in. Rope
	JAA00266AAJ002	Sheave 711 mm Diameter, 6 Grooves, 1/2 in. Rope
	JAA00266AAJ003	Sheave 711 mm Diameter, 7 Grooves, 1/2 in. Rope
2	209J5	Bearing
3	DAA495J7	Shaft
4	346PJ5	Cover
*	435C1	Fitting, Grease

\* not shown