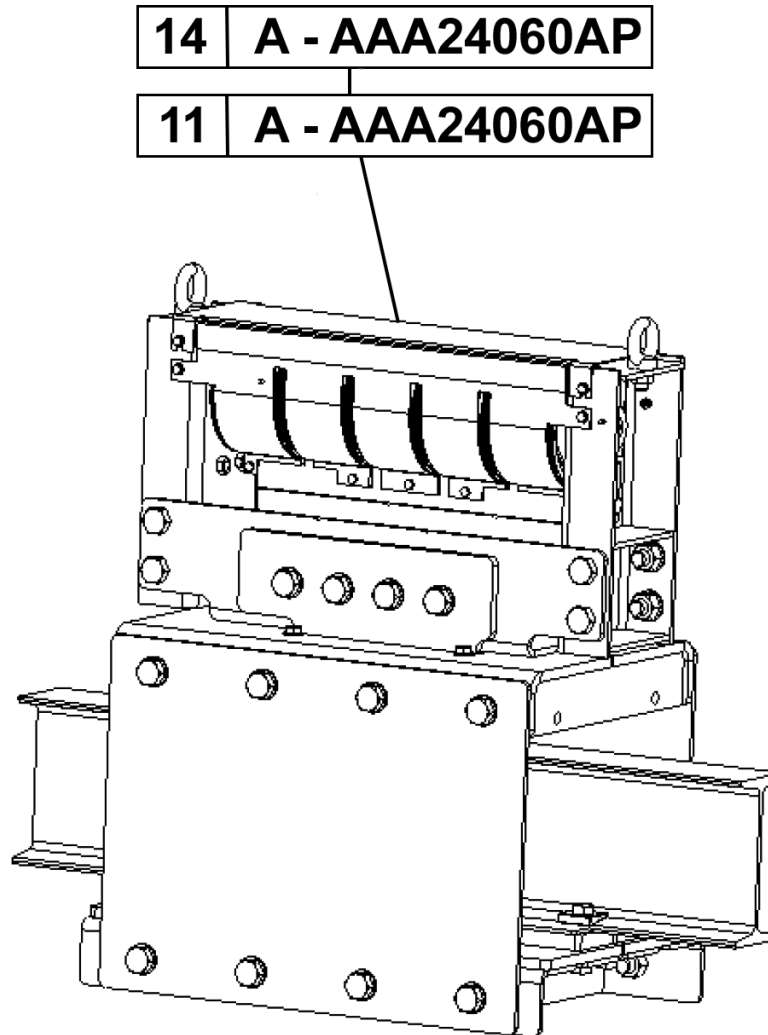


**G2M 2:1 Angled Gen2
Car Hitch Assembly
(Modernization)**

Spare Parts Leaflet

14-AAA24060AP

August 31, 2022 / Page 1 of 5



OTIS

This document does not contain any
technical data subject to EAR or ITAR

SERVICE ENGINEERING

Otis Elevator Company

Bloomfield, Connecticut USA

Unpublished Work—© Otis Elevator Co.; 2022

Leaflet Description

The AAA24060AP angled Gen2 car hitch is used in the angled Gen2 Modernization system on the car crosshead. This hitch assembly does not use sound isolation blocks.

NOTE: The AAA24060AP assemblies have been incorrectly shipped out with vintage tag 11-AAA24060AP.

Leaflet Revisions

Date Revised	Subject Matter Expert	Reason for Revision
August 31, 2022	Christian Kaljulaid	New SPL

Related Drawings

Drawing No.	Title	Drawing No.	Title
AAA24060AP	Hitch, 2:1	AAA384AKR	Guard, 2:1 Gen2
AAA20780AS	Sheave Assembly	AAA384AKQ	Guard, 2:1 Sheave
AAA20780W	Sheave Assembly	ABA392EM	Hitch, CSB Sheave

Related Documents

Document ID	Title
TIP 10.0-14	<i>Gen2 Sheave Replacement</i>
SPL 11-AAA24060AP	<i>Pointer SPL for SPL 14-AAA24060AP</i>
SPL 06-AAA20238AR	<i>Machine Room Angled Gen2 Machine Bedplate</i>
SPL 06-AAA20238AS	<i>Machine Room Stubby Gen2 Machine Bedplate</i>
SPL 06-AAA20238AP	<i>Machine Room Gen2 Machine Bedplate</i>

Subject Matter Expert

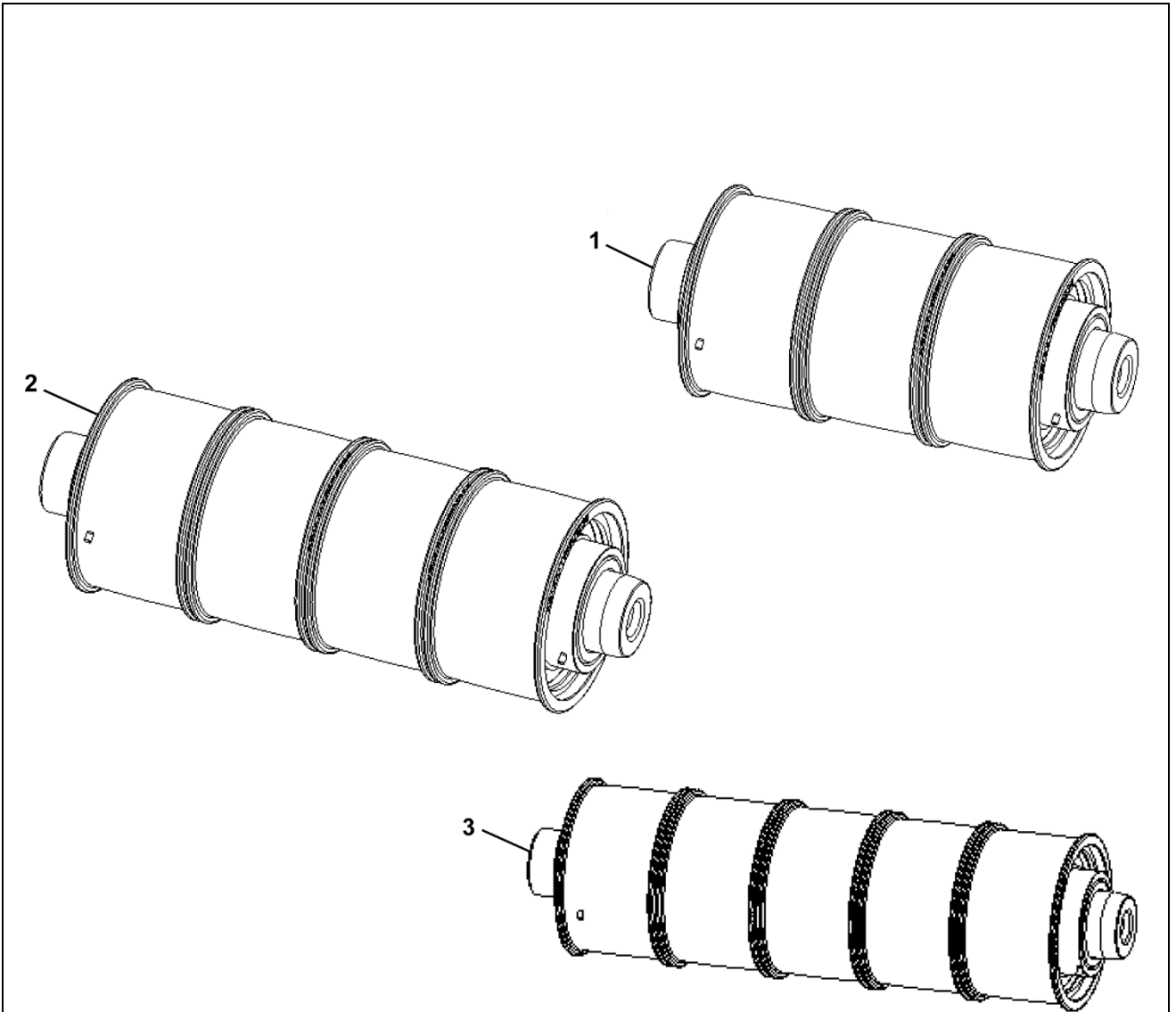
Name	Department
Christian Kaljulaid	Mod Mechanical Engineering

About Spare Parts Leaflets...

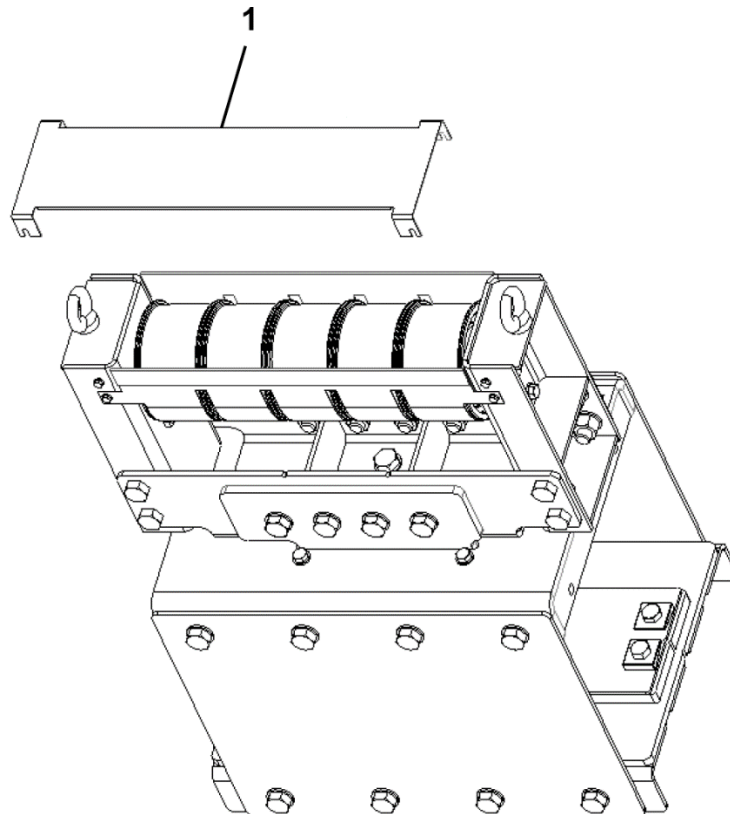
This document lists the lowest replaceable units (LRUs) for the standard version of the product. The LRUs are chosen by a team of Otis associates representing engineering and manufacturing.

While goal of this document is to make parts identification as easy as possible, the document cannot be all-inclusive. Elevator and escalator contracts classified as "special" or "custom" are not addressed here. For such contracts, please refer to specified information, the contract folder, TIPs, Field Education Articles, Construction Letters, etc. for further information.

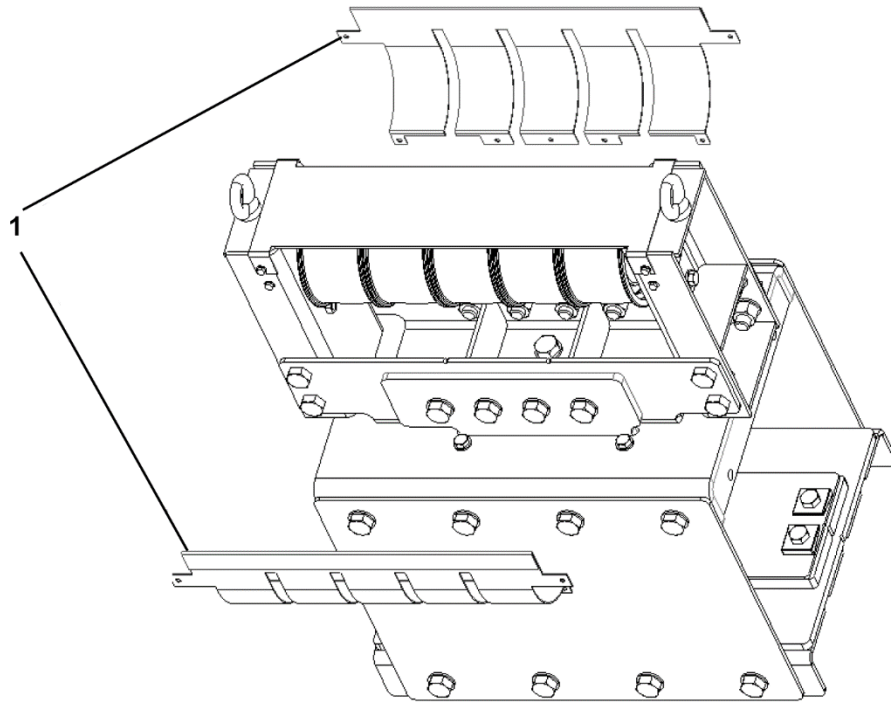
If you have any suggestions about this document, please contact the subject matter expert listed on this page.



AAA24060AP				
REF. No.	PART No.	DESCRIPTION	BELT SIZE	REMARKS
1	AAA20780W2 AAA20780AS3	Assembly, Sheave	64kN 86kN	3-Belt
2	AAA20780W3 AAA20780AS4			4-Belt
3	AAA20780AS1			5-Belt



AAA24060AP			
REF. No.	PART No.	DESCRIPTION	REMARKS
1	AAA384AKR4	Guard, Top	3-Belt
	AAA384AKR5		4-Belt
	AAA384AKR1		5-Belt



AAA24060AP			
REF. No.	PART No.	DESCRIPTION	REMARKS
1	AAA384AKQ3	Guard, Bottom	3-Belt
	AAA384AKQ4		4-Belt
	AAA384AKQ1		5-Belt