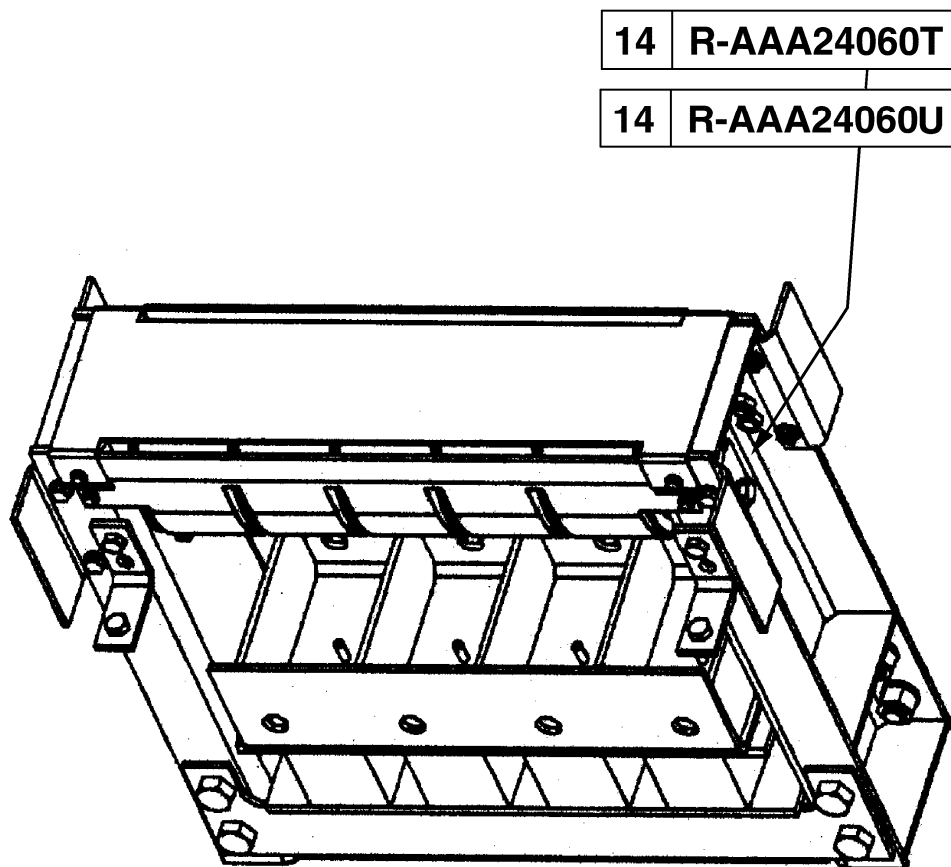


**2:1 Carframe Hitch  
Assembly  
Counterweight at Rear  
Gen2<sup>®</sup> System**

**Spare Parts Leaflet  
14-AAA24060T**

**December 23, 2009/ Page 1 of 3**



**OTIS**

**Safety First!**

**SERVICE ENGINEERING  
Otis Elevator Company  
Bloomfield, Connecticut USA**

**Leaflet Description**

This SPL provides spare parts information for 2:1 carframe hitch for Gen2® system.

**Leaflet Revisions**

<b>Date Revised</b>	<b>Subject Matter Expert</b>	<b>Reason for Revision</b>
February 28, 2005	Sean Mismas	New SPL
December 23, 2009	Al Feitl	Added AAA20780C5 on page 3.

**Related Drawings**

<b>Drawing No.</b>	<b>Title</b>	<b>Drawing No.</b>	<b>Title</b>
AAA24060T	Arrangement and Assembly; 2:1 Carframe Hitch Counterweight at Rear Gen2™ System	---	---
---	---	---	---

**Related Documents**

<b>Document ID</b>	<b>Title</b>
SPL 14-AAA24060U	2:1 Carframe Hitch Counterweight at Side Gen2™ System

**Subject Matter Expert**

<b>Name</b>	<b>Department</b>
Troy Chicoine	OSC Service Engineering

**About Spare Parts Leaflets...**

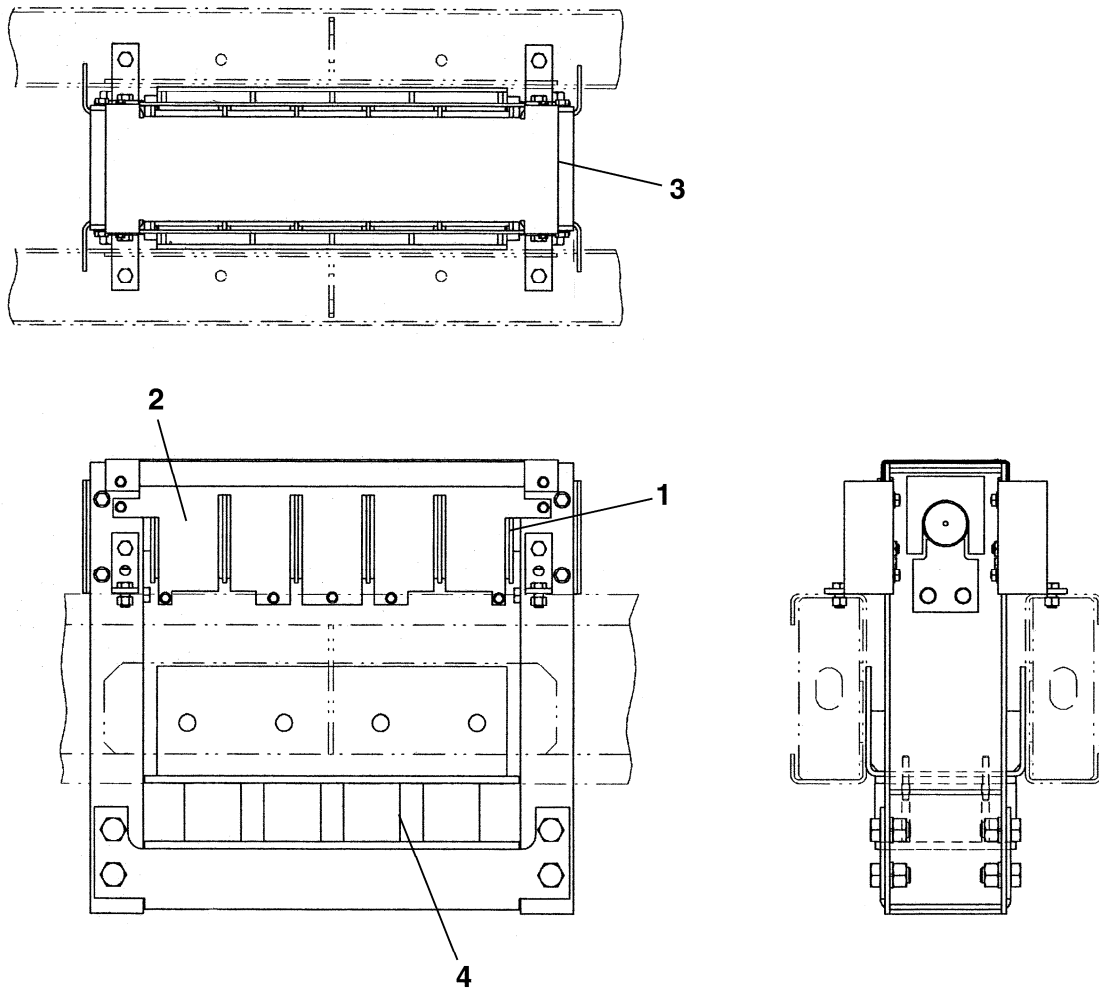
This document lists the lowest replaceable units (LRUs) for the standard version of the product. The LRUs are chosen by a team of Otis associates representing engineering and manufacturing.

While goal of this document is to make parts identification as easy as possible, the document cannot be all-inclusive. Elevator and escalator contracts classified as “special” or “custom” are not addressed here. For such contracts, please refer to specified information, the contract folder, TIPs, Field Education Articles, Construction Letters, etc. for further information.

If you have any suggestions about this document, please contact the subject matter expert listed on this page.

# 2:1 Carframe Hitch

**14-AAA24060T**



**AAA24060T2 Shown**

AAA24060T AAA24060U			
REF. No.	PART No.	DESCRIPTION	
1	AAA20780C4 AAA20780C5	Assembly, Sheave	
2	AAA384AKQ1	Guard (Bottom)	
3	AAA384AKR1	Guard (Top)	
4	AAA310RB2	Isolator, Block	Used w/ arrangements AAA24060T2 or AAA24060U2