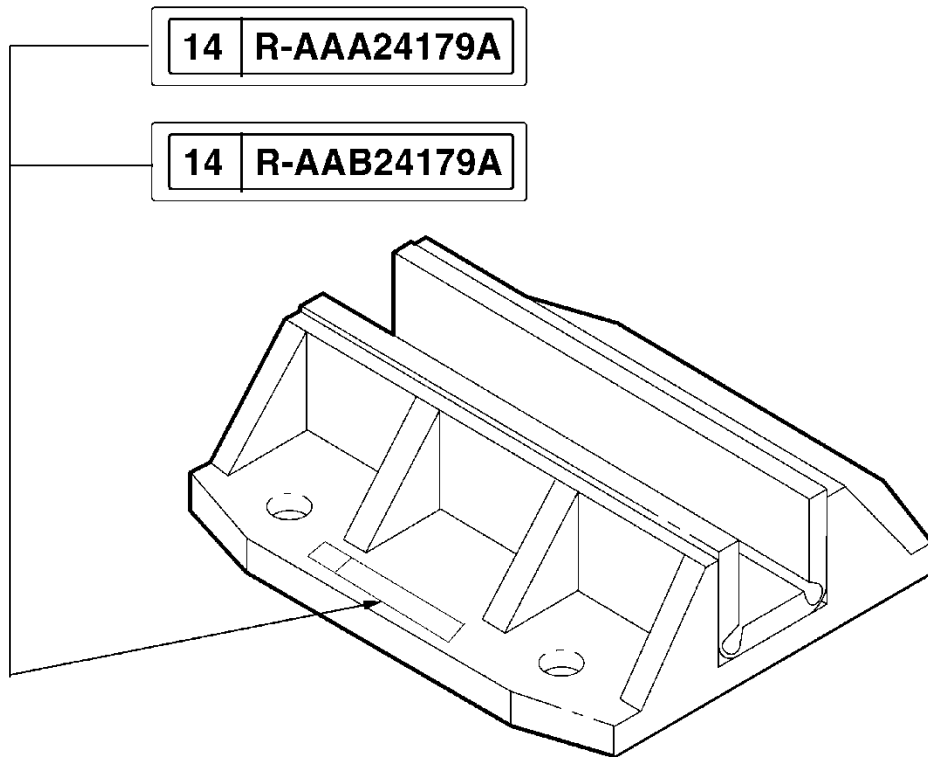


# Guide Shoe Assembly

**Spare Parts Leaflet**

**14-AAA24179A**

**January 14, 2015 / Page 1 of 3**



# OTIS

**SERVICE ENGINEERING**  
**Otis Elevator Company**  
**Bloomfield, Connecticut USA**

Unpublished Work—© Otis Elevator Co.; 2015

**Leaflet Description**

This leaflet provides spare parts information for type AAB24179A guide shoe assemblies used on LVM, LVME, LVML, LRVH, LHM, and LHML systems.

**Leaflet Revisions**

<b>Date Revised</b>	<b>Subject Matter Expert</b>	<b>Reason for Revision</b>
March 1993	---	New leaflet, initial release
June 1994	---	Update parts & artwork
December 1, 1999	Duane Stupienski	Update parts & artwork; add history page
December 15, 2001	Duane Stupienski	Move callout 5 to correct part (shim).
January 14, 2015	Val Sheynkman	Superseded AAA380CE1 to AAA380CE2 in ref. 3, p. 3

**Related Drawings**

<b>Drawing No.</b>	<b>Title</b>	<b>Drawing No.</b>	<b>Title</b>
AAA24179A	Shoe, Guide Assembly	ACA24000N	Assembly, Carframe and Platform, Direct Holeless
AAB24179A	Shoe, Guide Assembly	ACA24220AAB	Assembly, Carframe and Platform, 2000,2100, and 2500 Duty
ABA24000M	Assembly, Carframe and Platform, 2000-5000H Duty LVM		

**Related Documents**

<b>Document ID</b>	<b>Title</b>
SPL 14-AAA24000AG	Carframe & Platform Assembly (LVME)

**Subject Matter Expert**

<b>Name</b>	<b>Department</b>
Val Sheynkman	OSC Service Engineering

**About Spare Parts Leaflets...**

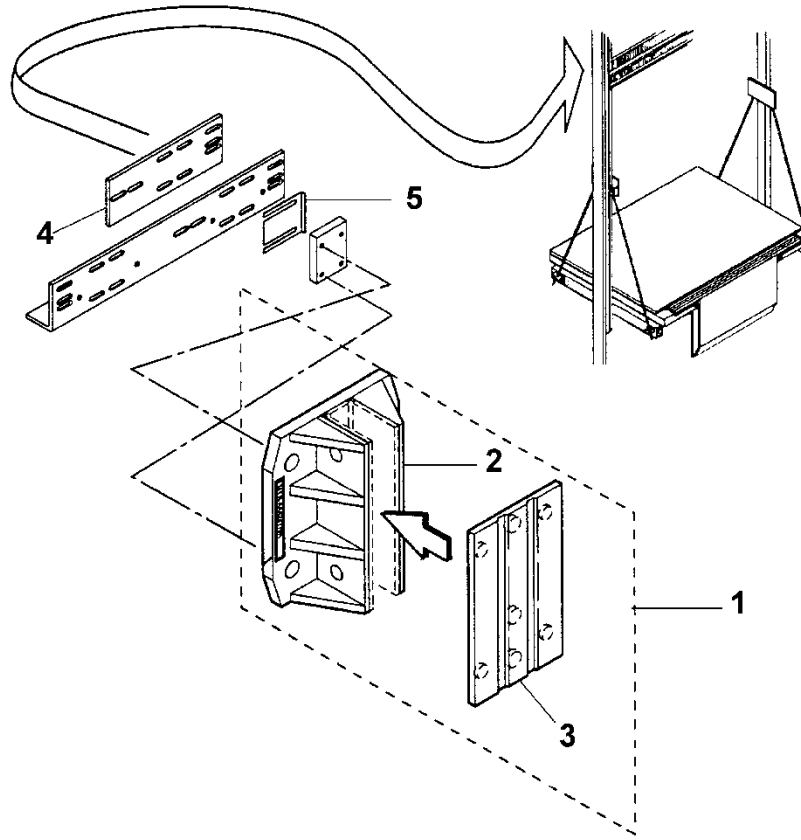
This document lists the lowest replaceable units (LRUs) for the standard version of the product. The LRUs are chosen by a team of Otis associates representing engineering and manufacturing.

While goal of this document is to make parts identification as easy as possible, the document cannot be all-inclusive. Elevator and escalator contracts classified as "special" or "custom" are not addressed here. For such contracts, please refer to specified information, the contract folder, TIPs, Field Education Articles, Construction Letters, etc. for further information.

If you have any suggestions about this document, please contact the subject matter expert listed on this page.

# Guide Shoe Assembly Components

14-AAA24179A



	<b>AAA24179A</b>	<b>AAB24179A</b>	
<b>REF. No.</b>	<b>PART No.</b>	<b>PART No.</b>	<b>DESCRIPTION</b>
1	AAA24179A1 AAA24179A2 AAB24179A2	AAB24179A2	Assembly, Guide Shoe
2	AAA237CF1 ABA237CF1	ABA237CF1	Base
3	AAA380CD1 AAA380CD2 AAA380CE1 AAA380CE2	AAA380CE1 AAA380CE2	Gib, Shoe Guide
4	AAA255GN1		Shim, 0.37 in. Thick
5	255ES12		Shim, 0.03 in. Thick