

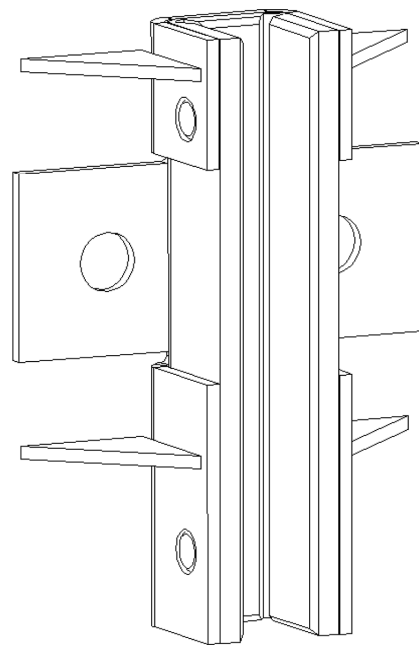
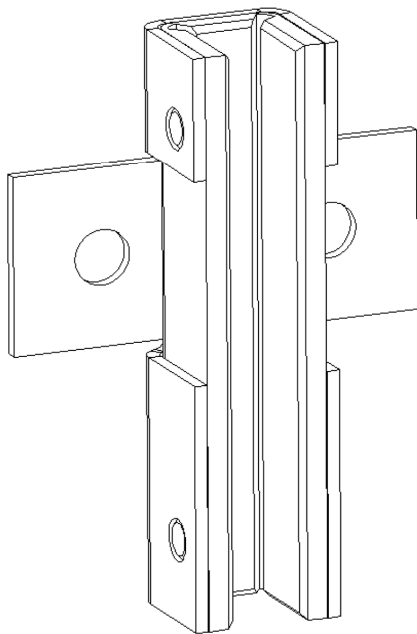
**Gen2L Counterweight  
Sliding Guides**

**Spare Parts Leaflet**

**14-AAA24179F**

**July 31, 2013 / Page 1 of 3**

**W/O VINTAGE**



**OTIS**

**Safety First!**

**SERVICE ENGINEERING**  
**Otis Elevator Company**  
**Bloomfield, Connecticut USA**

**Leaflet Description**

This SPL lists replaceable parts in type AAA24179F counterweight sliding guides used in Gen2L.

**Leaflet Revisions**

| <b>Date Revised</b> | <b>Subject Matter Expert</b> | <b>Reason for Revision</b>                           |
|---------------------|------------------------------|--|
| December 22, 2008   | Anying Shen                  | New SPL  |
| April 17, 2013      | Anying Shen                  | Updated history page                                 |
| July 31, 2013       | Rose Lorenzo                 | Added p/n AAA380CE3 and updated illustration on p. 3 |

**Related Drawings**

| <b>Drawing No.</b> | <b>Title</b>        | <b>Drawing No.</b> | <b>Title</b> |
|--------------------|---------------------|--------------------|--------------|
| AAA24179F          | Guide Shoe Assembly | ---                | ---          |
| ---                | ---                 | ---                | ---          |

**Related Documents**

| <b>Document ID</b> | <b>Title</b>   |
|--------------------|--|
| SPL 16-AAA25700S   | <i>Gen2L Counterweight</i>                                     |
| SPL 16-AAA25700AM  | <i>Counterweight Assembly 2100, 2500, 3000, 3500 Duty</i>      |
| TIP 18.2-3         | <i>Gen2 Underslung Counterweight Sliding Guide Replacement</i> |

**Subject Matter Expert**

| <b>Name</b>   | <b>Department</b>       |
|---------------|-------------------------|
| Val Sheynkman | OSC Service Engineering |

**About Spare Parts Leaflets...**

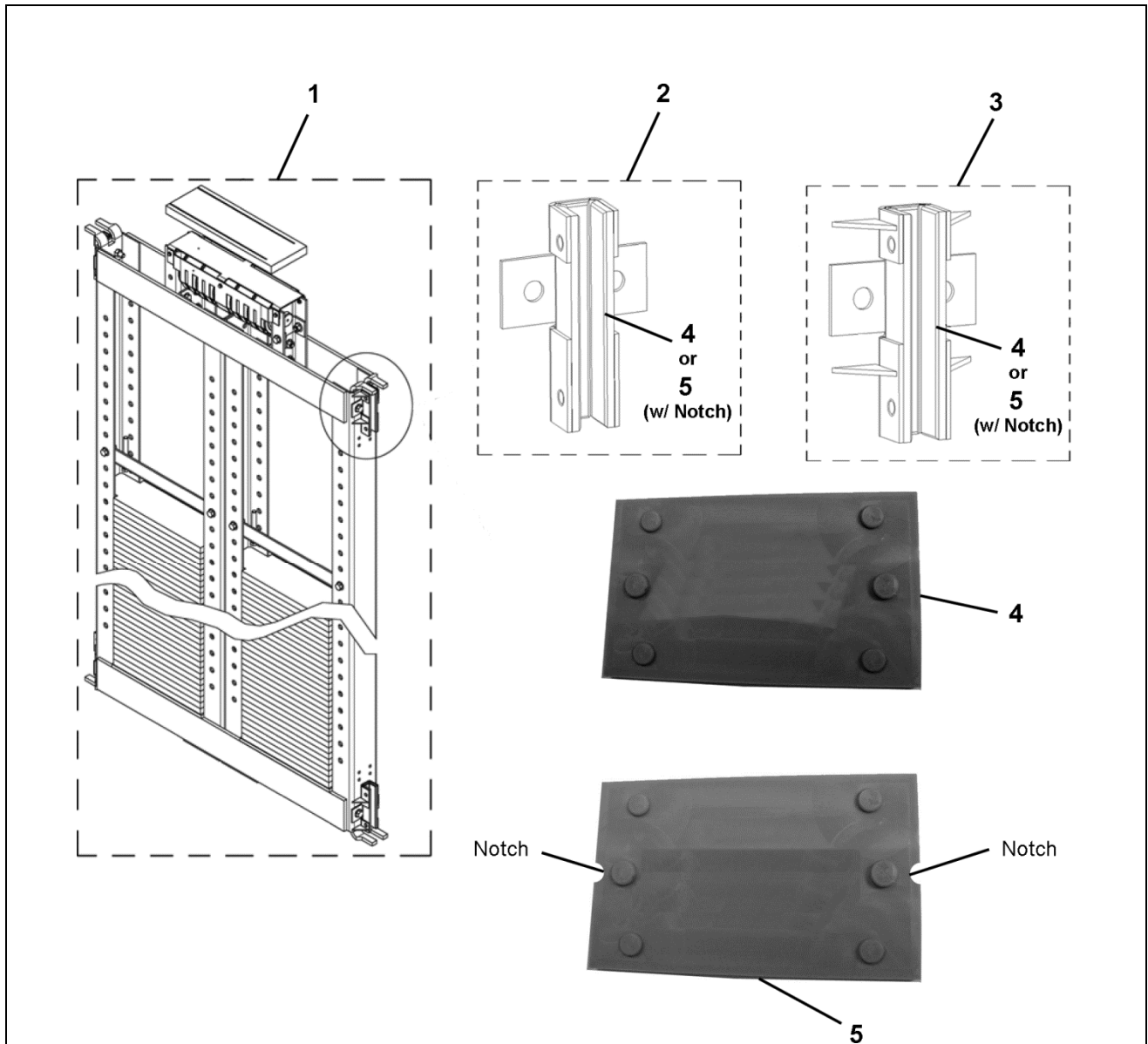
This document lists the lowest replaceable units (LRUs) for the standard version of the product. The LRUs are chosen by a team of Otis associates representing engineering and manufacturing.

While goal of this document is to make parts identification as easy as possible, the document cannot be all-inclusive. Elevator and escalator contracts classified as “special” or “custom” are not addressed here. For such contracts, please refer to specified information, the contract folder, TIPs, Field Education Articles, Construction Letters, etc. for further information.

If you have any suggestions about this document, please contact the subject matter expert listed on this page.

# Counterweight Sliding Guides

14-AAA24179F



| W/O VINTAGE |                        |   |
|-------------|------------------------|---|
| REF. No.    | PART No.               | DESCRIPTION   |
| 1           | ---                    | Assembly, Counterweight,  SPL 16-AAA25700S and  16-AAA25700AM         |
| 2           | AAA24179F1             | Assembly, Guide Shoe, Seismic Zone <2                                 |
| 3           | AAA24179F2             | Assembly, Guide Shoe, Seismic Zone ≥2                                 |
| 4           | AAA380CE1<br>AAA380CE2 | Gib   |
| 5           | AAA380CE3              | Gib, for Non-Standard Production, Special Contract Units,  TIP 18.2-3 |