

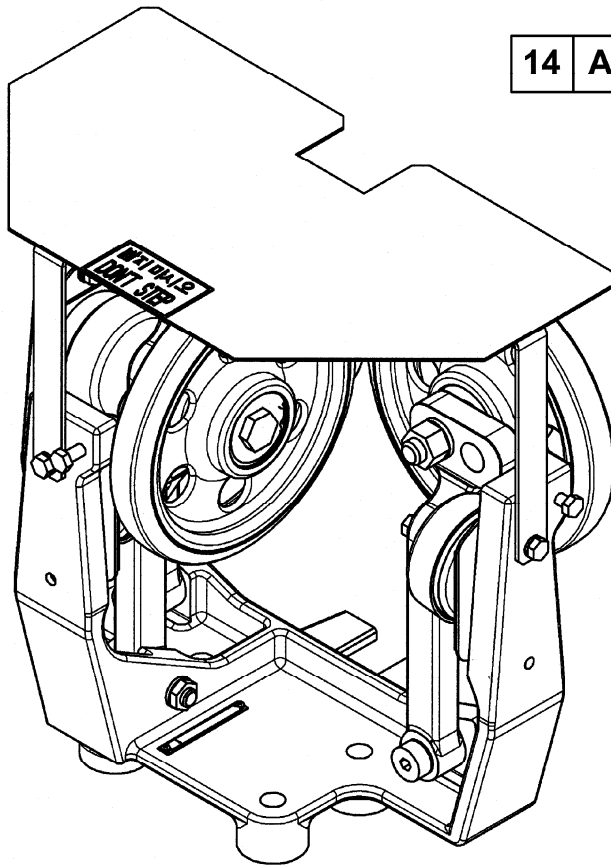
**Ultra Roller Guides
200 mm & 260 mm**

Spare Parts Leaflet

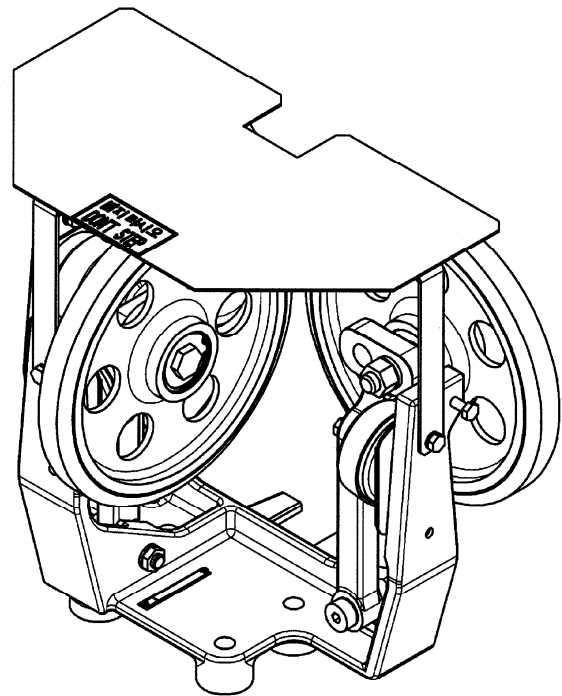
14-AAA24180AV

March 21, 2012 / Page 1 of 5

14 AAA24180AV



200 mm Roller Guide



260 mm Roller Guide

OTIS

Safety First!

**SERVICE ENGINEERING
Otis Elevator Company
Bloomfield, Connecticut USA**

Leaflet Description

This SPL provides spare parts information for 200 mm and 260 mm Ultra Roller Guides. Ultra roller guides are direct replacements (form-fit-function) for traditional Otis 7-7/8 in. and 10 in. roller guide types E, F6261C and A, B6261AM. MSDS sheet is available for the bumpers since they are fluid filled.

Leaflet Revisions

Date Revised	Subject Matter Expert	Reason for Revision
June 5, 2002	Tom Malone	New SPL
March 21, 2012	Val Sheynkman	Updated references 7 on pp. 4 and 5

Related Drawings

Drawing No.	Title	Drawing No.	Title
AAA24180AV	Ultra Roller Guide 200 mm and 260 mm	AAA384AGW	Guard
AAA288ACF	Lever	AAA456YL	Roller
AAA320FP	Bumper		

Related Documents

Document ID	Title
SPL 14-A6261AM	10 in. Roller Guides
SPL 14-E6261C	7-7/8 in. Roller Guides

Subject Matter Expert

Name	Department
Val Sheynkman	OSC, Service Engineering

About Spare Parts Leaflets...

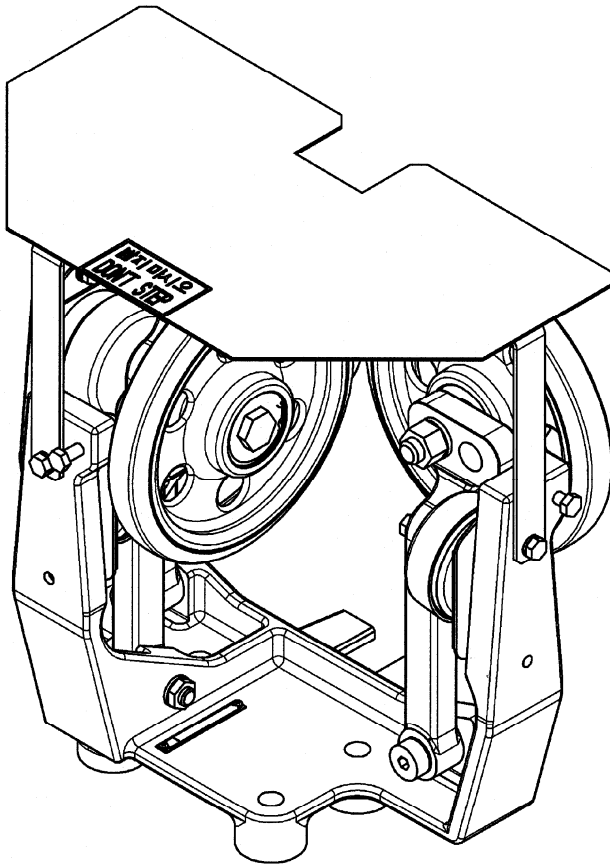
This document lists the lowest replaceable units (LRUs) for the standard version of the product. The LRUs are chosen by a team of Otis associates representing engineering and manufacturing.

While goal of this document is to make parts identification as easy as possible, the document cannot be all-inclusive. Elevator and escalator contracts classified as "special" or "custom" are not addressed here. For such contracts, please refer to specified information, the contract folder, TIPs, Field Education Articles, Construction Letters, etc. for further information.

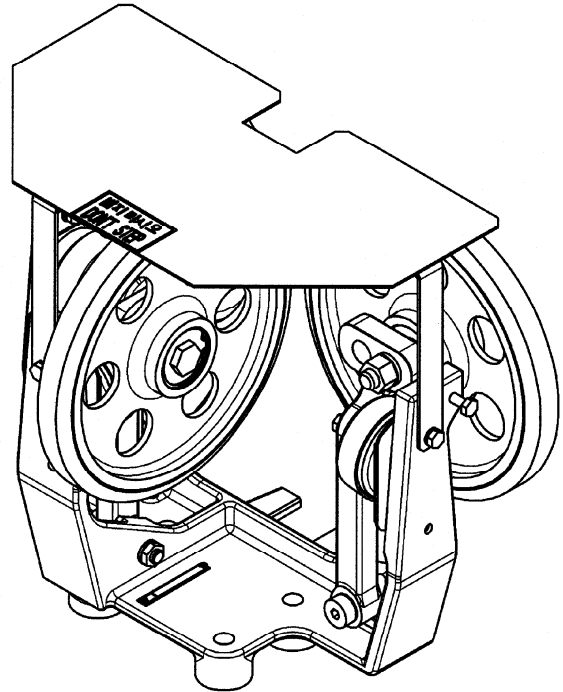
If you have any suggestions about this document, please contact the subject matter expert listed on this page.

Ultra Roller Guide Assemblies 200 mm and 260 mm

14-AAA24180AV



**200 mm Roller Guide Assemblies
AAA24180AV1 and 4**

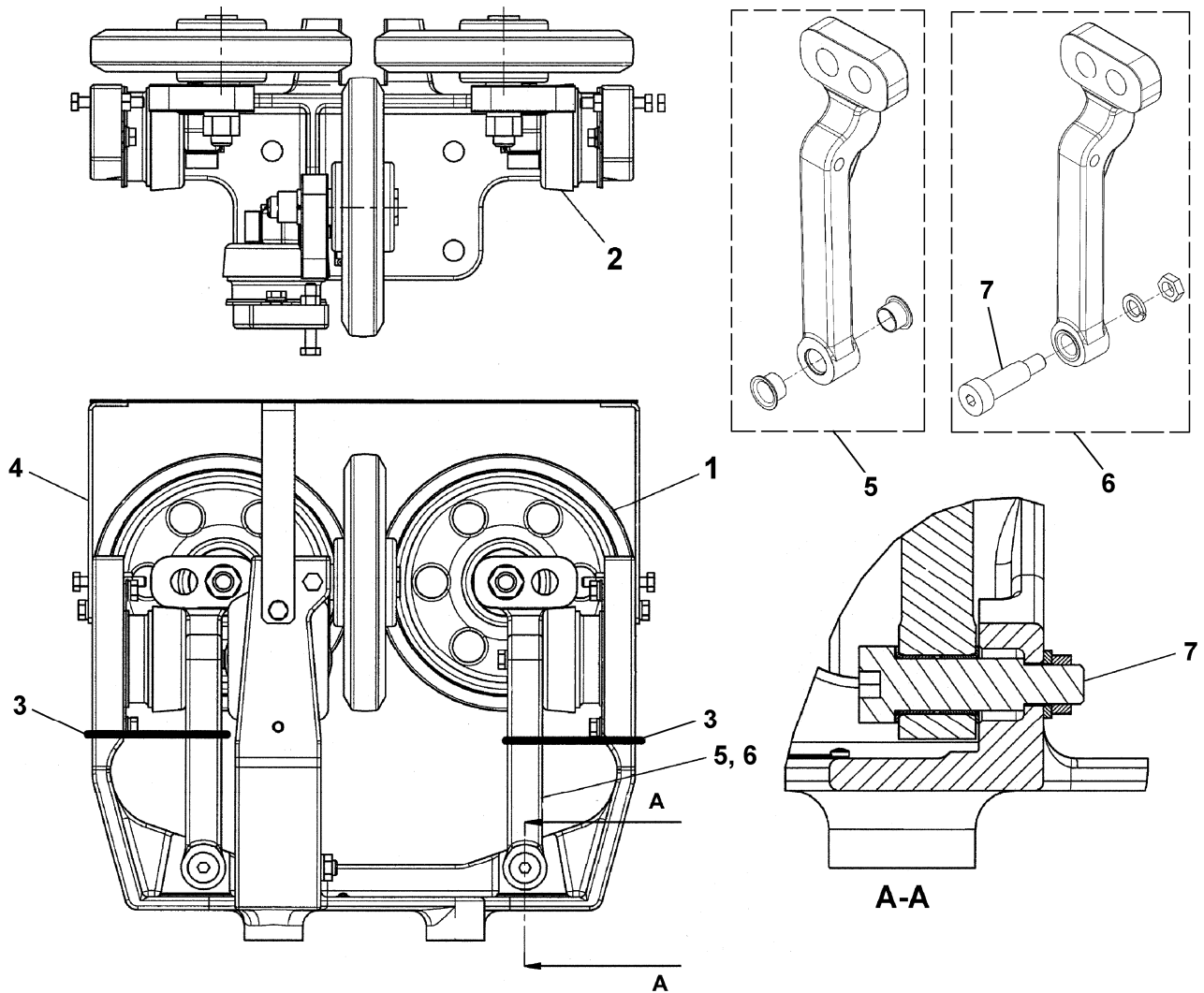


**260 mm Roller Guide Assemblies
AA24180AV2, 3, 5 and 6**

AAA24180AV				
PART No.	DESCRIPTION	GUIDE RAIL	ROLLER DIAMETER	GUARD
AAA24180AV1	Assembly, Ultra Roller Guide	#1, #1-1/2, #3/4	200 mm	With
AAA24180AV2			260 mm	
AAA24180AV3		#1/2 & 0A	200 mm	Without
AAA24180AV4		#1, #1-1/2, #3/4		
AAA24180AV5		#1/2 & 0A	260 mm	
AAA24180AV6			260 mm	

14-AAA24180AV

200 mm Ultra Roller Guide Assembly

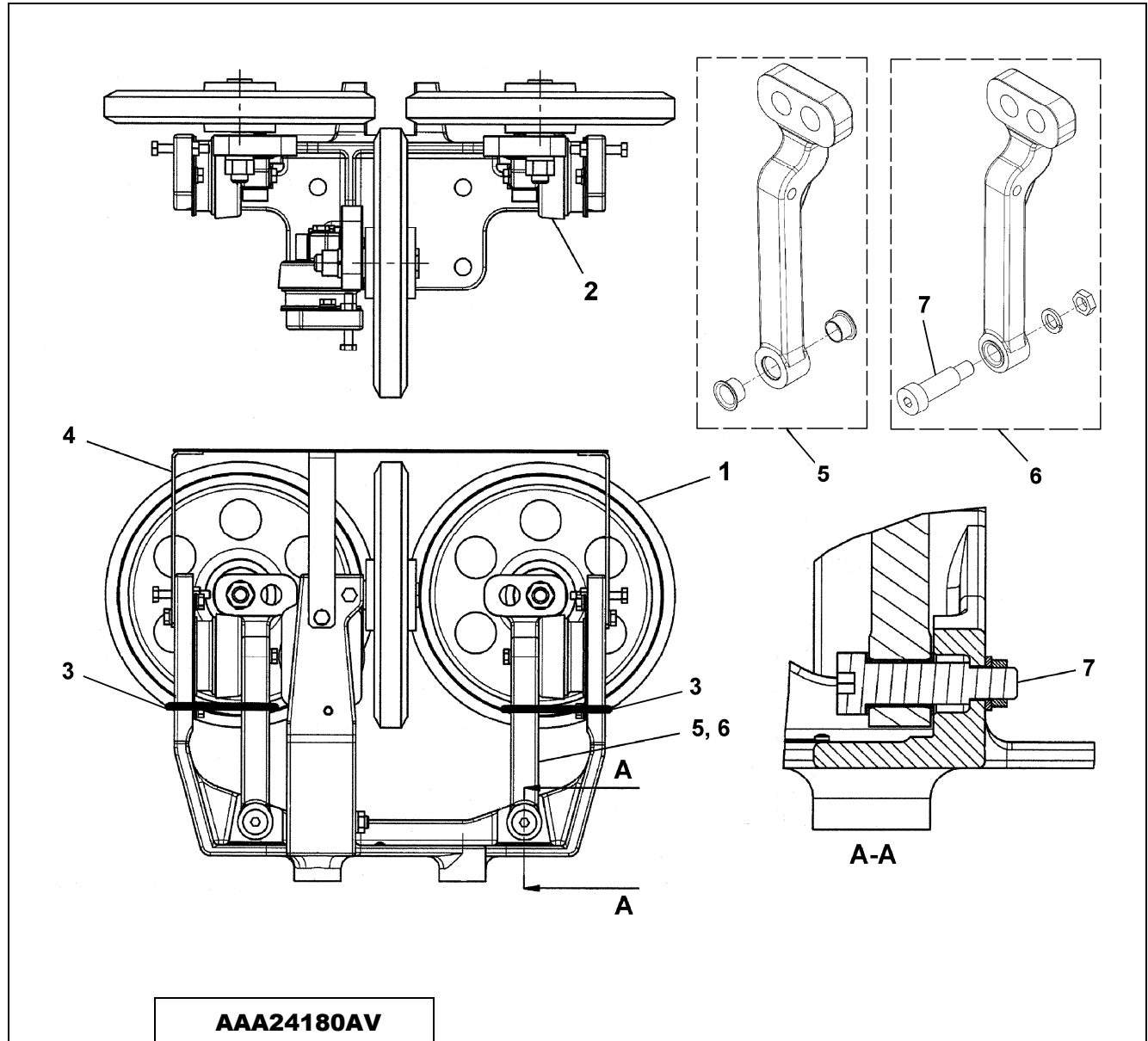


AAA24180AV		
REF. No.	PART No.	DESCRIPTION
1	AAA456YL1	Assembly, Roller, 200 mm
2	AAA320FP1	Bumper
3	336KL6	Clamp, Hose or Duct
4	AAA384AGW1	Guard
5	AAA288ACF1	Lever, w/Bearings
6	AAA288ACF3	Lever, Kit Includes: Bearings, Screw, and Hardware
7	ISO737916X40-12-9B AAA27076EB1	Screw, 16 x 40 Hexagon Socket Head Shoulder, see NOTE

NOTE: For details, see TIP 18.0-2, *Ultra™ Roller Guide Bolt Modification Kit*.

260 mm Ultra Roller Guide Assembly

14-AAA24180AV



AAA24180AV		
REF. No.	PART No.	DESCRIPTION
1	AAA456YL2	Assembly, Roller, 260 mm
2	AAA320FP1	Bumper
3	336KL6	Clamp, Hose or Duct
4	AAA384AGW1	Guard
5	AAA288ACF1	Lever, w/Bearings
6	AAA288ACF3	Lever, Kit Includes: Bearings, Screw, and Hardware
7	ISO737916X40-12-9B AAA27076EB1	Screw, 16 x 40 Hexagon Socket Head Shoulder, see NOTE

NOTE: For details, see TIP 18.0-2, *Ultra™ Roller Guide Bolt Modification Kit*.