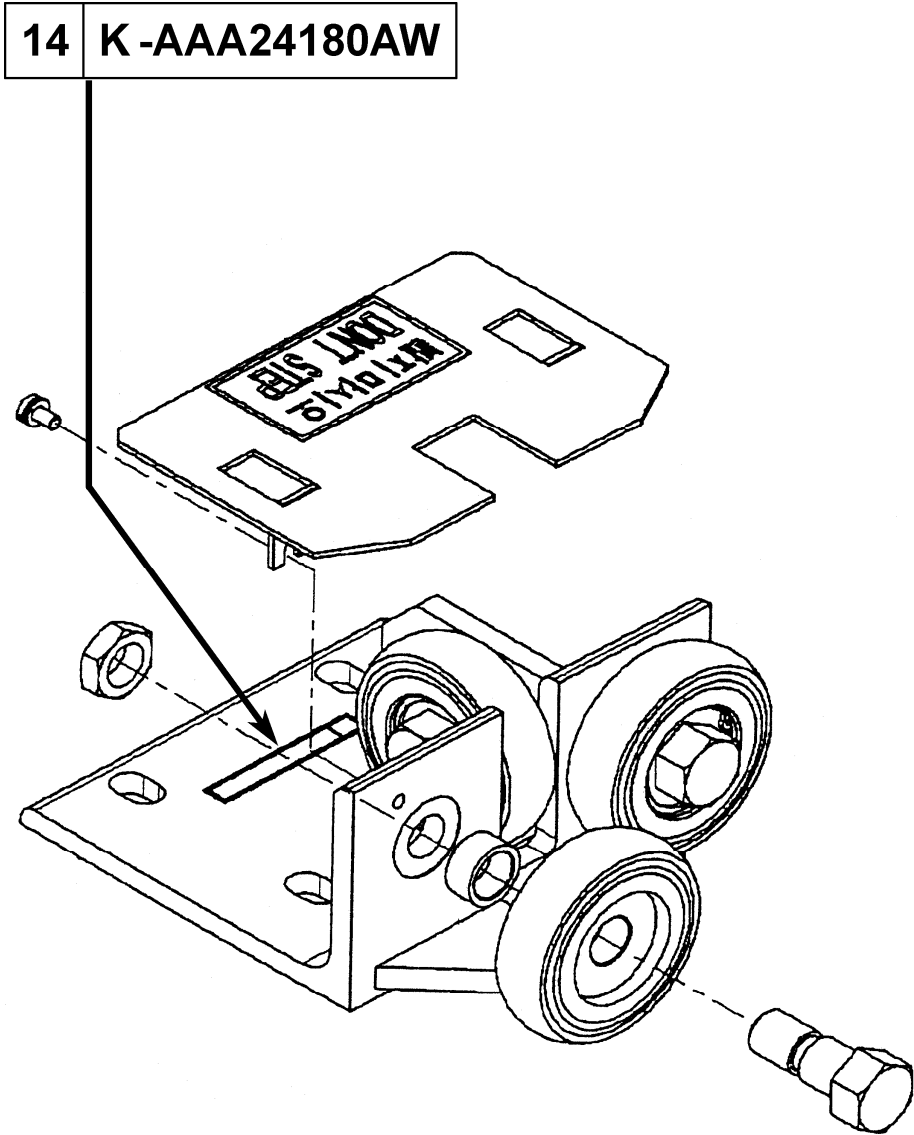


**Roller Guide—Car and
Counterweight
76 mm Diameter**

**Spare Parts Leaflet
14-AAA24180AW**

February 2, 2009 / Page 1 of 4



OTIS

Safety First!

SERVICE ENGINEERING
Otis Elevator Company
Bloomfield, Connecticut USA

Leaflet Description

This SPL provides spare parts information for LGO-76 mm low cost roller guides. For Gen2R2 limited duty, the roller guides with 76 mm diameter rollers are installed on the top of the car and on the counterweight (top and bottom). Roller guides on the top of the car and counterweight require guards. Roller guides installed at the bottom of the counterweight do not require a guard.

Leaflet Revisions

Date Revised	Subject Matter Expert	Reason for Revision
October 3, 2002	Boris Traktovenko	New SPL
February 2, 2009	Jay Lengacher	Add arrangements 9-12.

Related Drawings

Drawing No.	Title	Drawing No.	Title
AAA24180AW	Roller Guide Assembly and Arrangement \varnothing 76 mm		

Related Documents

Document ID	Title
14-AAA24180AX	Roller Guide—Car and Counterweight \varnothing 160 mm
AAA27076AZ	Material List

Subject Matter Expert

Name	Department
Jay Lengacher	Bloomington NSAA-SIT

About Spare Parts Leaflets...

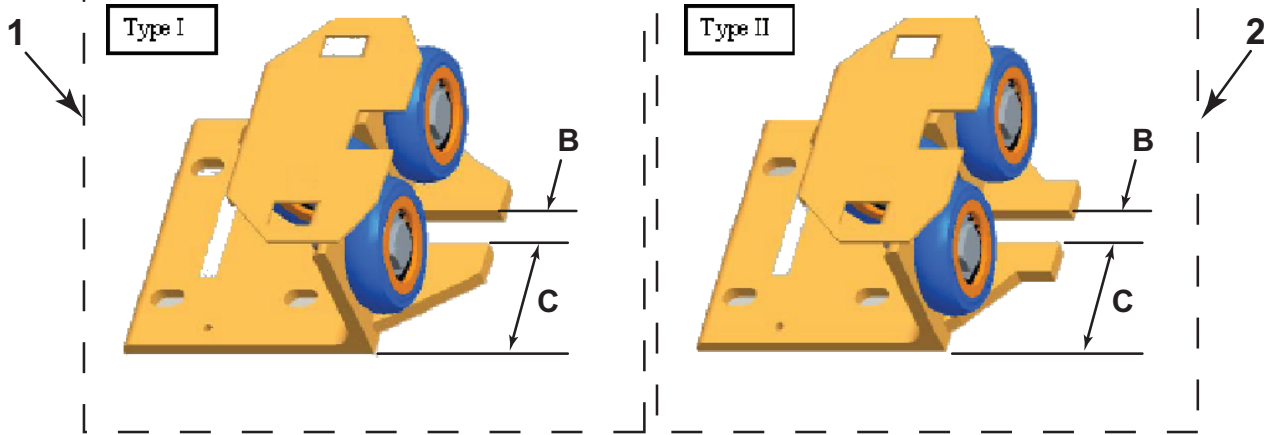
This document lists the lowest replaceable units (LRUs) for the standard version of the product. The LRUs are chosen by a team of Otis associates representing engineering and manufacturing.

While goal of this document is to make parts identification as easy as possible, the document cannot be all-inclusive. Elevator and escalator contracts classified as “special” or “custom” are not addressed here. For such contracts, please refer to specified information, the contract folder, TIPS, Field Education Articles, Construction Letters, etc. for further information.

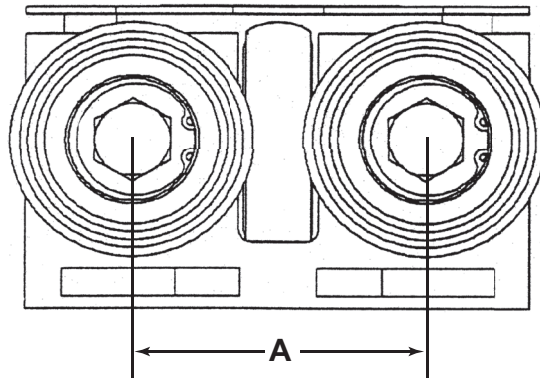
If you have any suggestions about this document, please contact the subject matter expert listed on this page.

Roller Guide Assemblies

14-AAA24180AW

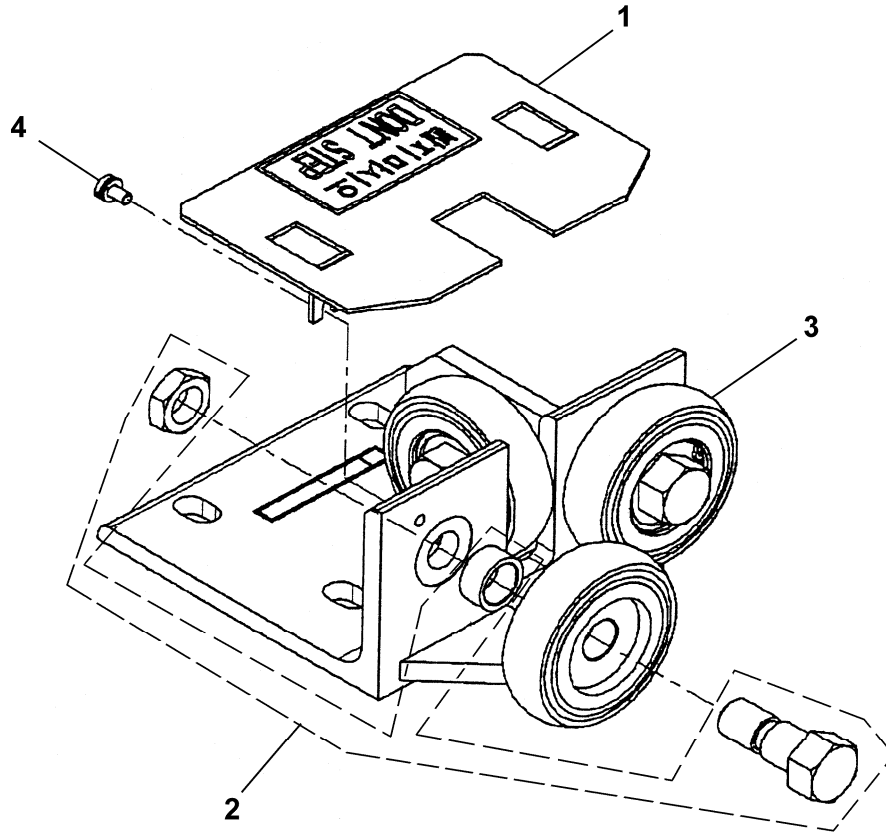


Top Arrangements Shown



AAA24180AW

REF. No.	PART No.	A	B	C	TYPE	GUARD	Rail (size)		DESCRIPTION
		mm					ETO	US	
1	AAA24180AW1	91.7	24.0	67.0	1	With (Top)	T89	# 2	Assembly, Roller Guide
	AAA24180AW2	94.7	27.0	65.5			T140-1	# 3/4	
	AAA24180AW3	84.7	17.0	70.5			T3E	---	
	AAA24180AW4	91.7	24.0	67.0		W/O (Bottom)	T89	# 2	
	AAA24180AW5	94.7	27.0	65.5			T140-1	# 3/4	
	AAA24180AW6	84.7	17.0	70.5			T3E	---	
	AAA24180AW7	91.7	24.0	67.0		With (Top)	T127-1 & T127-2	# 1-1/2 & # 1	
	AAA24180AW8					W/O (Bottom)			
	AAA24180AW11					With (Top)	T75-3/B	---	
	AAA24180AW12					W/O (Bottom)			
2	AAA24180AW9	85.7	18.0	70.0	2	With (Top)	T127-1 & T127-2	# 1-1/2 & # 1	
	AAA24180AW10		18.0	70.0		W/O (Bottom)			



AAA24180AW		
REF. No.	PART No.	DESCRIPTION
1	AAA384AHH1	Guard
2	AAA24180AW401	Kit, Mounting Hardware
3	AAA456YS2	Roller
4	AAA124FD38	Screw, Sems M5x10