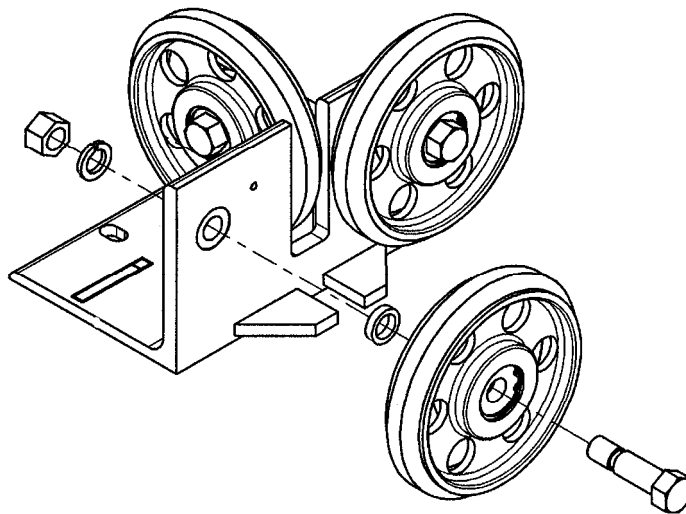


**Roller Guide—Car and
Counterweight
160 mm Diameter**

**Spare Parts Leaflet
14-AAA24180AX**

October 3, 2002 / Page 1 of 4

14 K-AAA24180AX



OTIS

Safety First!

**SERVICE ENGINEERING
Otis Elevator Company
Bloomfield, Connecticut USA**

Leaflet Description

This SPL provides spare part information for LGO-160 mm low cost roller guides. For Gen2R2 limited duty, the roller guides with 160 mm diameter rollers are installed only at the bottom of the car and do not require a guard.

Leaflet Revisions

Date Revised	Subject Matter Expert	Reason for Revision
October 3, 2002	Boris Traktoenko	New SPL

Related Drawings

Drawing No.	Title	Drawing No.	Title
AAA24180AX	Roller Guide Assembly and Arrangement 160 mm		

Related Documents

Document ID	Title
SPL 14-AAA24180AW	Roller Guide—Car and Counterweight \varnothing 76 mm

Subject Matter Expert

Name	Department
Boris Traktoenko	OEC-F Mechanical Engineering

About Spare Parts Leaflets...

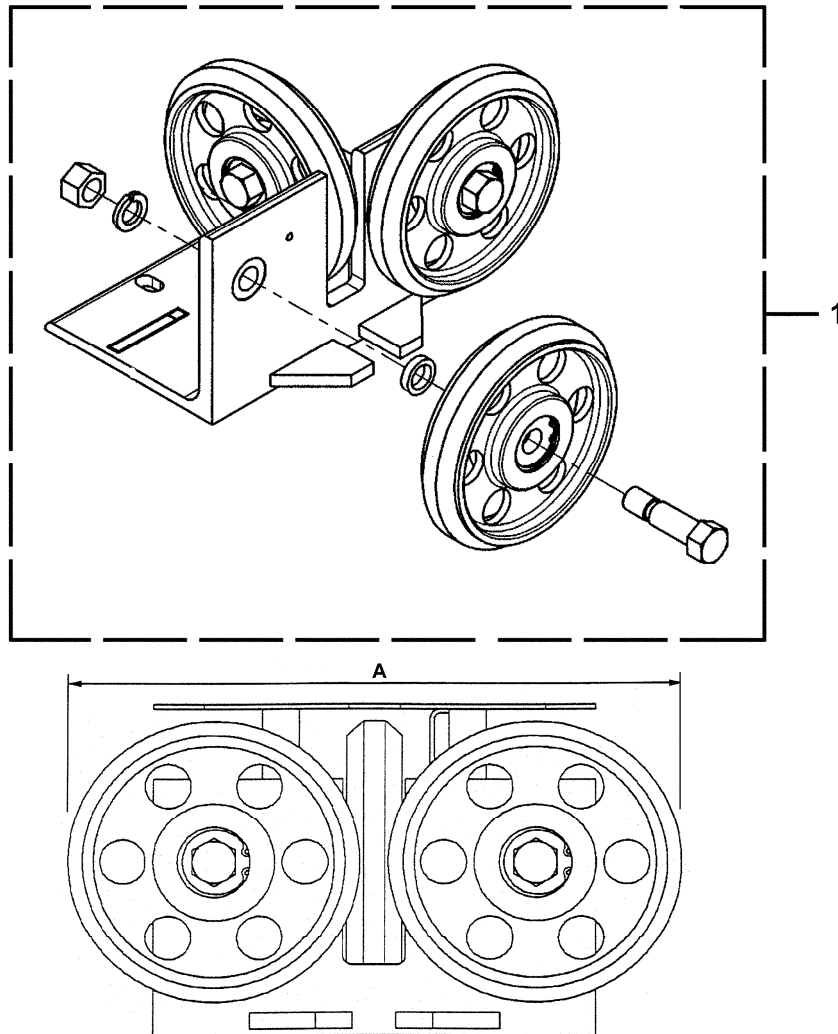
This document lists the lowest replaceable units (LRUs) for the standard version of the product. The LRUs are chosen by a team of Otis associates representing engineering and manufacturing.

While goal of this document is to make parts identification as easy as possible, the document cannot be all-inclusive. Elevator and escalator contracts classified as “special” or “custom” are not addressed here. For such contracts, please refer to specified information, the contract folder, TIPs, Field Education Articles, Construction Letters, etc. for further information.

If you have any suggestions about this document, please contact the subject matter expert listed on this page.

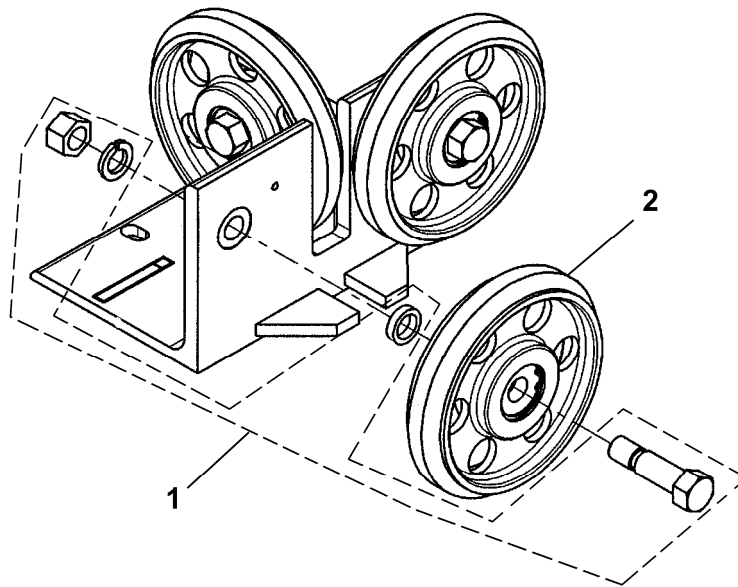
Roller Guide Assemblies

14-AAA24180AX



AAA24180AX					
REF. No.	PART No.	DESCRIPTION	RAIL		LENGTH "A"
1	AAA24180AX4	Assembly, Roller Guide w/o Guard (Bottom Carframe mount only for GEN2R2) Note	T89	# 2	335.5
	AAA24180AX5		T140-1	# 3/4	338.5
	AAA24180AX6		T3E	---	328.5
	AAA24180AX8		T127-1 & T127-2	# 1 1/2 & # 1	335.5

NOTE: For top roller guides for GEN2R2 applications, see SPL 14-AAA24180AW.



AAA24180AX		
REF. No.	PART No.	DESCRIPTION
1	AAA24180AX401	Kit, Hardware
2	AAA456YW1	Roller