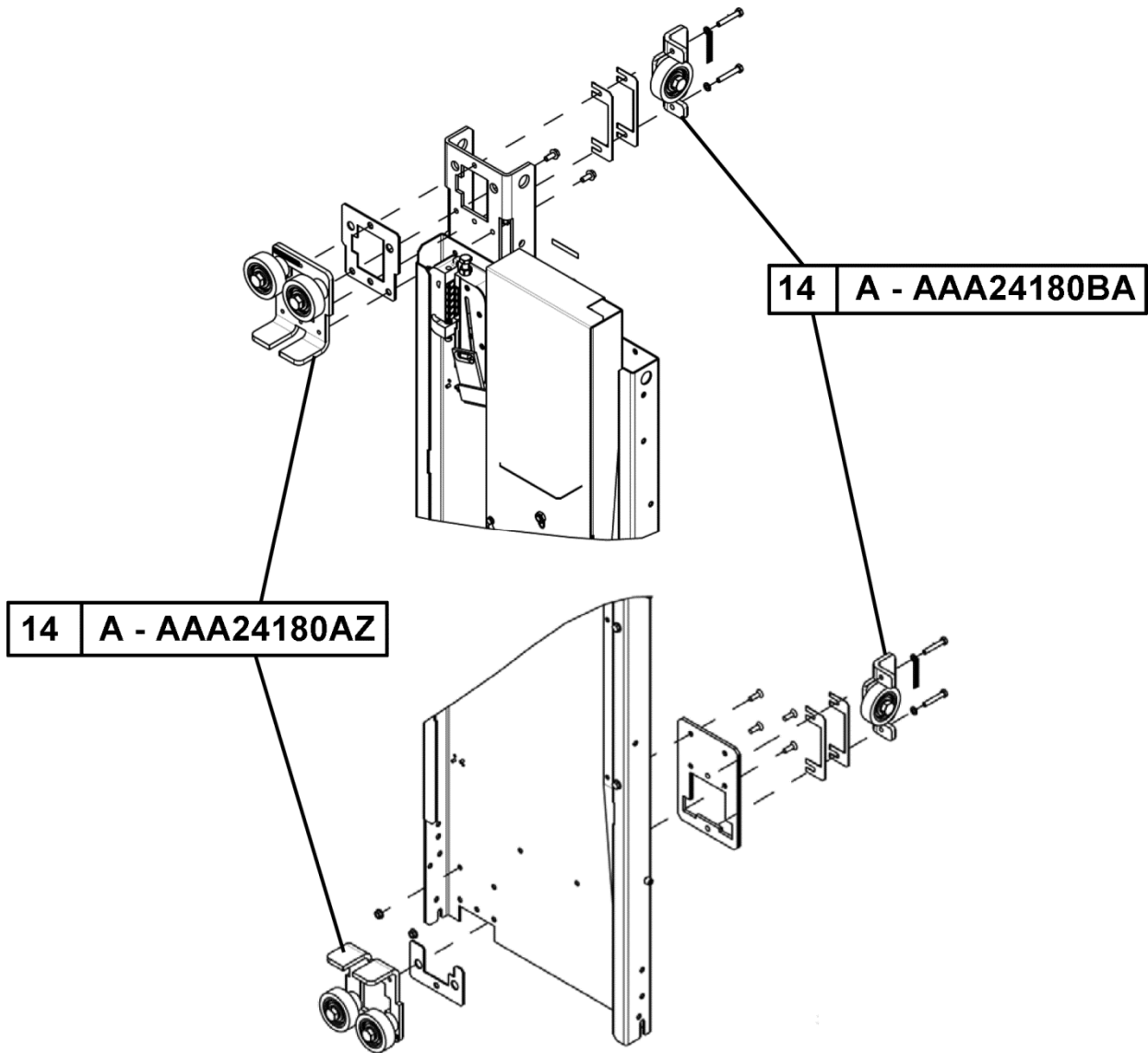


Roller Guides

Spare Parts Leaflet

14-AAA24180AZ

February 29, 2012 / Page 1 of 5



OTIS

Safety First!

SERVICE ENGINEERING
Otis Elevator Company
Bloomfield, Connecticut USA

Leaflet Description

This leaflet provides spare parts information for the roller guide types AAA24180AZ and AAA24180BA.

Leaflet Revisions

Date Revised	Subject Matter Expert	Reason for Revision
February 29, 2012	Peter Locke	New SPL
---	---	---

Related Drawings

Drawing No.	Title	Drawing No.	Title
AAA24180AZ	Roller Guide, asm (front and back rollers)	AAA24180BA	Roller Guide, asm (post rollers)
AAA382NG	Upright, asm	AAA29507C	Hardware Kits

Related Documents

Document ID	Title
---	---
---	---

Subject Matter Expert

Name	Department
Val Sheynkman	OSC Service Engineering

About Spare Parts Leaflets...

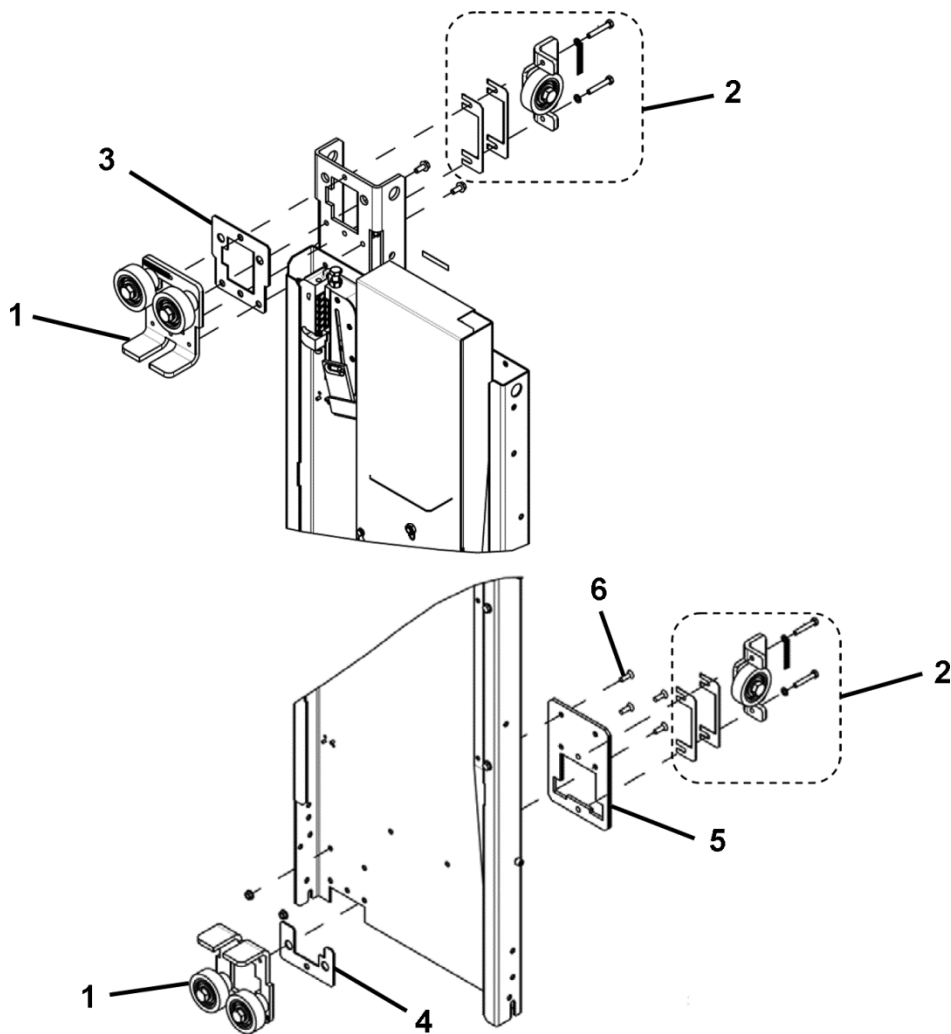
This document lists the lowest replaceable units (LRUs) for the standard version of the product. The LRUs are chosen by a team of Otis associates representing engineering and manufacturing.

While goal of this document is to make parts identification as easy as possible, the document cannot be all-inclusive. Elevator and escalator contracts classified as “special” or “custom” are not addressed here. For such contracts, please refer to specified information, the contract folder, TIPs, Field Education Articles, Construction Letters, etc. for further information.

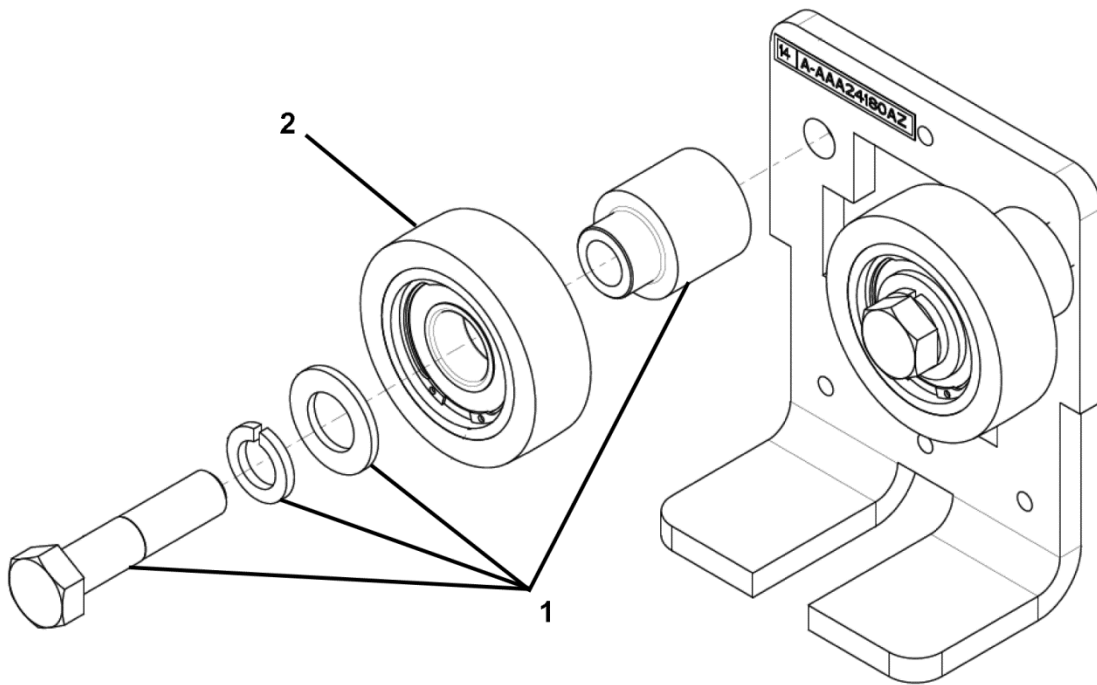
If you have any suggestions about this document, please contact the subject matter expert listed on this page.

Roller Guides

14-AAA24180AZ



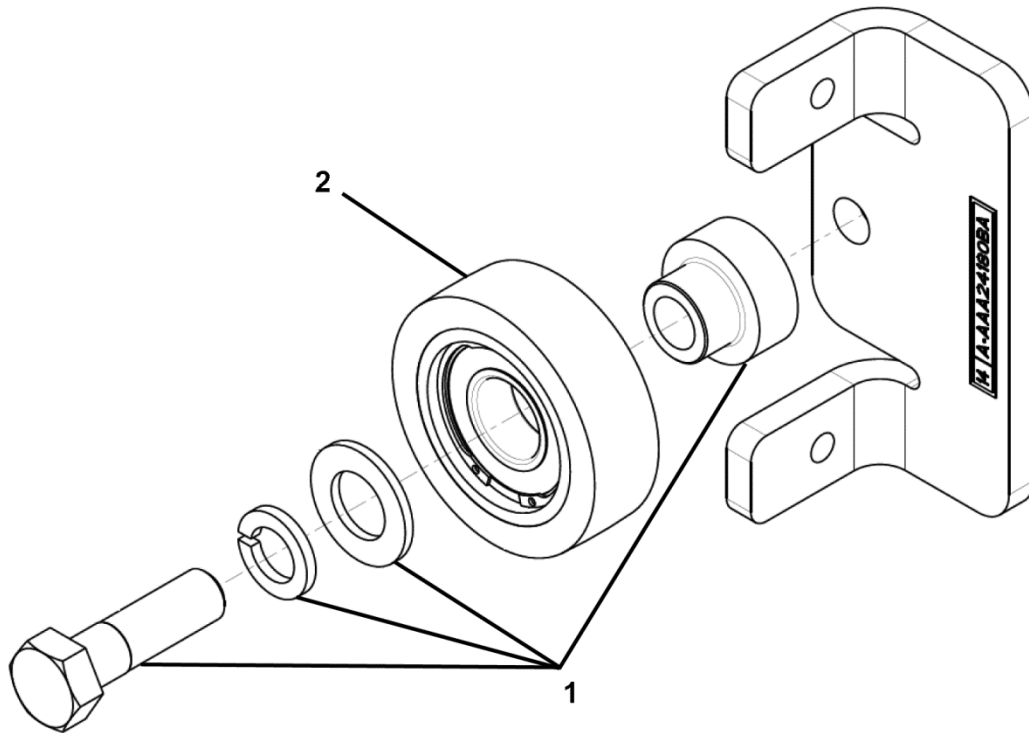
AAA24180AZ		
REF. No.	PART No.	DESCRIPTION
1	AAA24180AZ1	Guide, Roller, Front and Back
2	AAA29507C425	Kit, Includes: Post Roller, Shims, and Mounting Hardware
3	AAA255PH1	Shim, Top Roller Mounting
4	AAA255PX1	Shim, Lower Roller Mounting
5	AAA386MRE1	Plate, Lower Roller Mounting
6	ISO7046M8X25H-4.8Z	Screw, M8x25 Cross Recessed Countersunk Flat Head



AAA24180AZ		
REF. No.	PART No.	DESCRIPTION
1	AAA24180AZ400	Kit, Roller Mounting
2	AAA456ZK1	Roller

Roller Guides

14-AAA24180AZ



AAA24180BA		
REF. No.	PART No.	DESCRIPTION
1	AAA24180BA400	Kit, Roller Mounting
2	AAA456ZK1	Roller