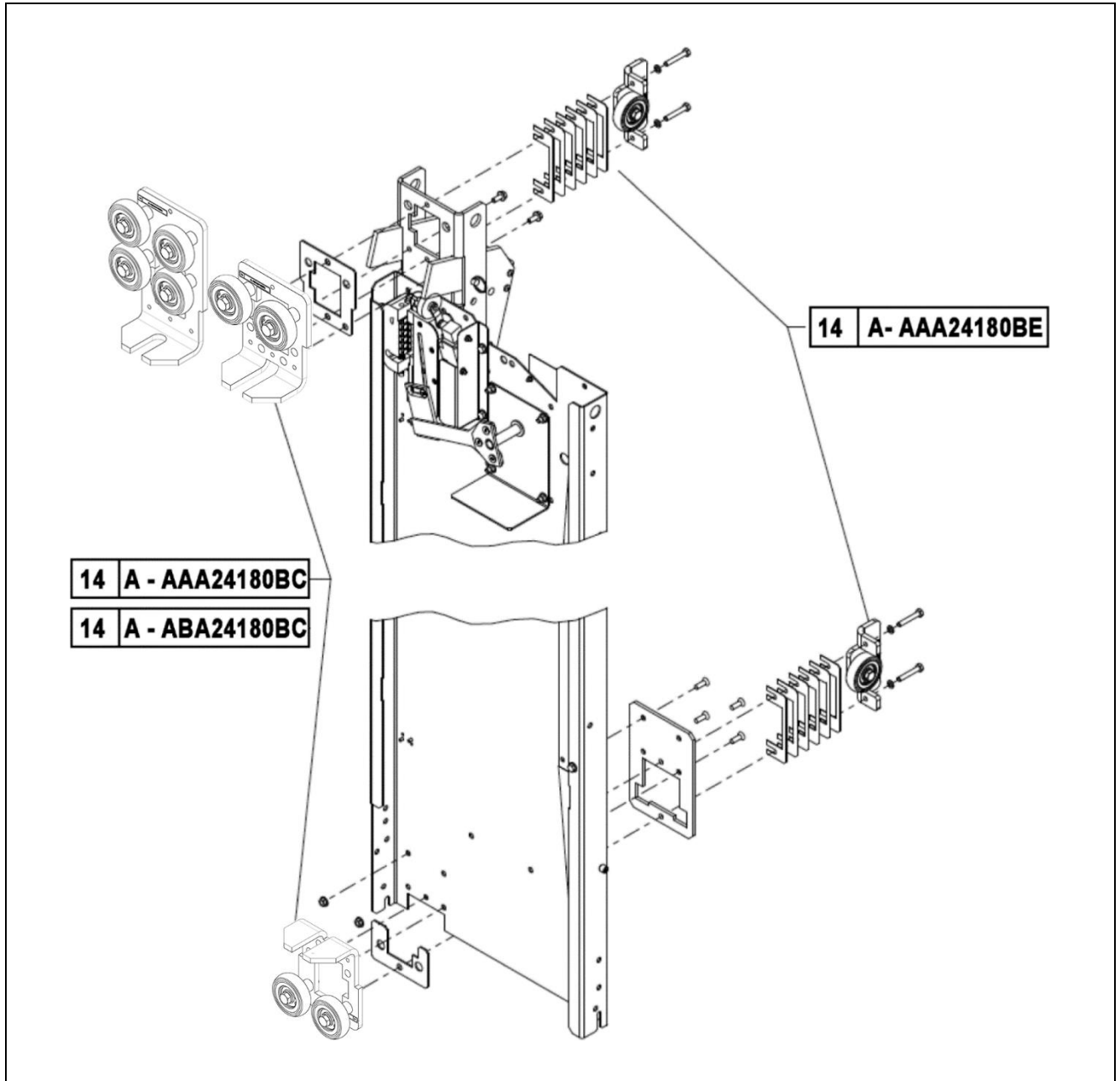


# Roller Guides

**Spare Parts Leaflet**

**14-AAA24180BC**

**March 15, 2023 / Page 1 of 6**



# OTIS

This document does not contain any technical data subject to EAR or ITAR

**SERVICE ENGINEERING**  
**Otis Elevator Company**  
**Bloomfield, Connecticut USA**

Unpublished Work—© Otis Elevator Co.; 2023

**Leaflet Description**

This leaflet provides spare parts information for the roller guide types AAA24180BC and AAA24180BE.

**Leaflet Revisions**

<b>Date Revised</b>	<b>Subject Matter Expert</b>	<b>Reason for Revision</b>
August 15, 2012	Kiron Bhaskar	New SPL
February 13, 2013	Val Sheynkman	Corrected vintage information on pages 4 and 5
February 20, 2013	Richard Blakelock	Corrected history page
November 13, 2013	Richard Blakelock	Update cover page and p. 3
March 16, 2016	Pieter Van Lieu and Kyle Pereira	Added counterweight frame AAA25700AM and roller guide arrangement AAA24180BC2
February 8, 2017	Juan Murillo	Added new p/n AAA29507L453 on p. 3
May 15, 2019	Juan Murillo	Added new p/n AAA24180BC4
March 15, 2023	Juan Murillo	Added Vintage ABA information

**Related Drawings**

<b>Drawing No.</b>	<b>Title</b>	<b>Drawing No.</b>	<b>Title</b>
AAA24180BC	Roller Guide, Assembly (front and back rollers)	AAA24180BE	Roller Guide, Assembly (post rollers)
ABA24180BC			
AAA25700AM	Assembly, Counterweight	AAA29507E	Assembly, Car, G2U Pass
AAA29507H	Assembly, Car, G2U & HYD Service	AAA29507K	Assembly, Car, G2U & HYD Pass
AAA29507M	Assembly, Car, G2U & HYD Service	AAA29507S	Assembly, Car, G2U & HYD Pass
AAA29507T	Assembly, Car, G2H & HYD Service		

**Subject Matter Expert**

<b>Name</b>	<b>Department</b>
Juan Murillo	OSC Service Engineering

**About Spare Parts Leaflets...**

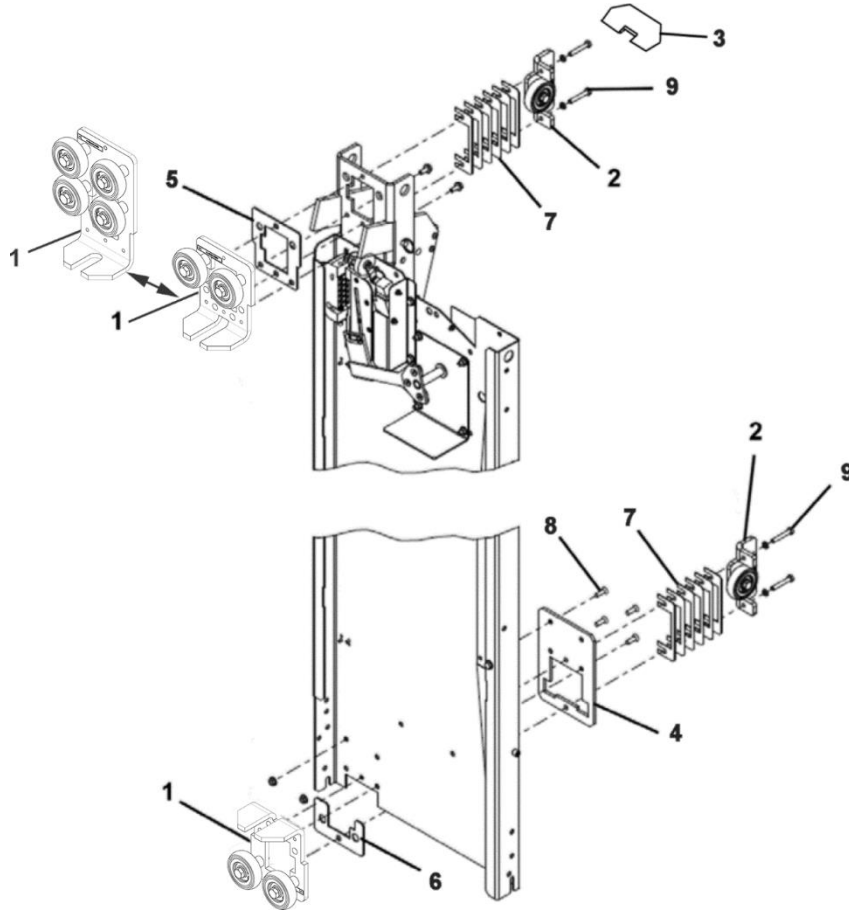
This document lists the lowest replaceable units (LRUs) for the standard version of the product. The LRUs are chosen by a team of Otis associates representing engineering and manufacturing.

While goal of this document is to make parts identification as easy as possible, the document cannot be all-inclusive. Elevator and escalator contracts classified as "special" or "custom" are not addressed here. For such contracts, please refer to specified information, the contract folder, TIPs, Field Education Articles, Construction Letters, etc. for further information.

If you have any suggestions about this document, please contact the subject matter expert listed on this page.

# Roller Guides for Car

**14-AAA24180BC**

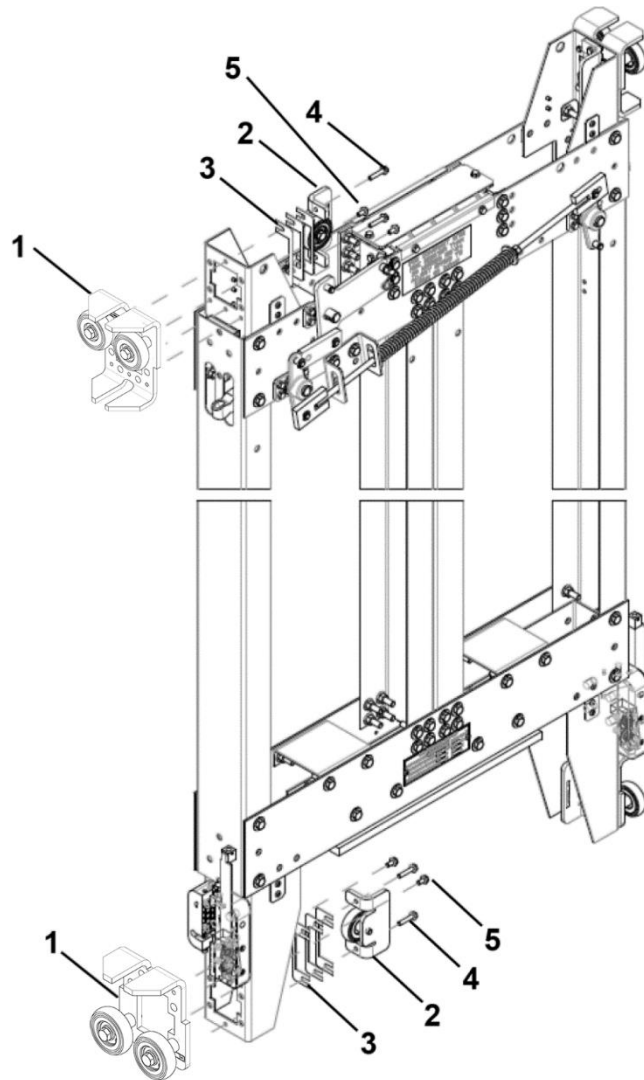


REF. No.	PART No.	DESCRIPTION
	<b>AAA24180BC</b> <b>ABA24180BC</b>	
1	AAA24180BC1 ABA24180BC1	Guide, Roller, Front and Back, 2 Rollers <b>NOTE 1</b> (G2U Pass Cars, HYD Pass & Service Cars)
	AAA24180BC4 ABA24180BC4	Guide, Roller, Front and Back, 4 Rollers <b>NOTE 1 &amp; 3</b> (G2U Service Cars)
2	AAA24180BE1	Guide, Roller, Post, <b>NOTE 1</b>
3	AAA29507L453	Kit, Hardware, Roller Guide Top Guard, <b>NOTE 2</b>
4	AAA386MRE1	Plate, Lower Roller Mounting
5	AAA255PH1	Shim, Top Roller Mounting
6	AAA255PX1	Shim, Lower Roller Mounting, 2.75 mm Thick (One shim; Two shims required)
	AAA255PX2	Shim, Lower Roller Mounting, 1.31 mm Thick (One shim; Two shims required)
7	AAA255PW1	Shim, Post Roller Mounting (One shim; Six shims required)
8	ISO7046M8X25H-4.8Z	Screw, M8x25 Cross Recessed Countersunk Flat Head
9	ISO4017M8X50-8.8Z	Screw, M8x50 HGX Head

**NOTE 1:** This roller guide will only be used with 3 mm clearance safeties.

**NOTE 2:** This top guard will only be supplied to the city of LA.

**NOTE 3:** This roller guide is shipped on G2S Service Cars, but can be installed on HYD Passenger, HYD Service, or G2S Passenger cars.

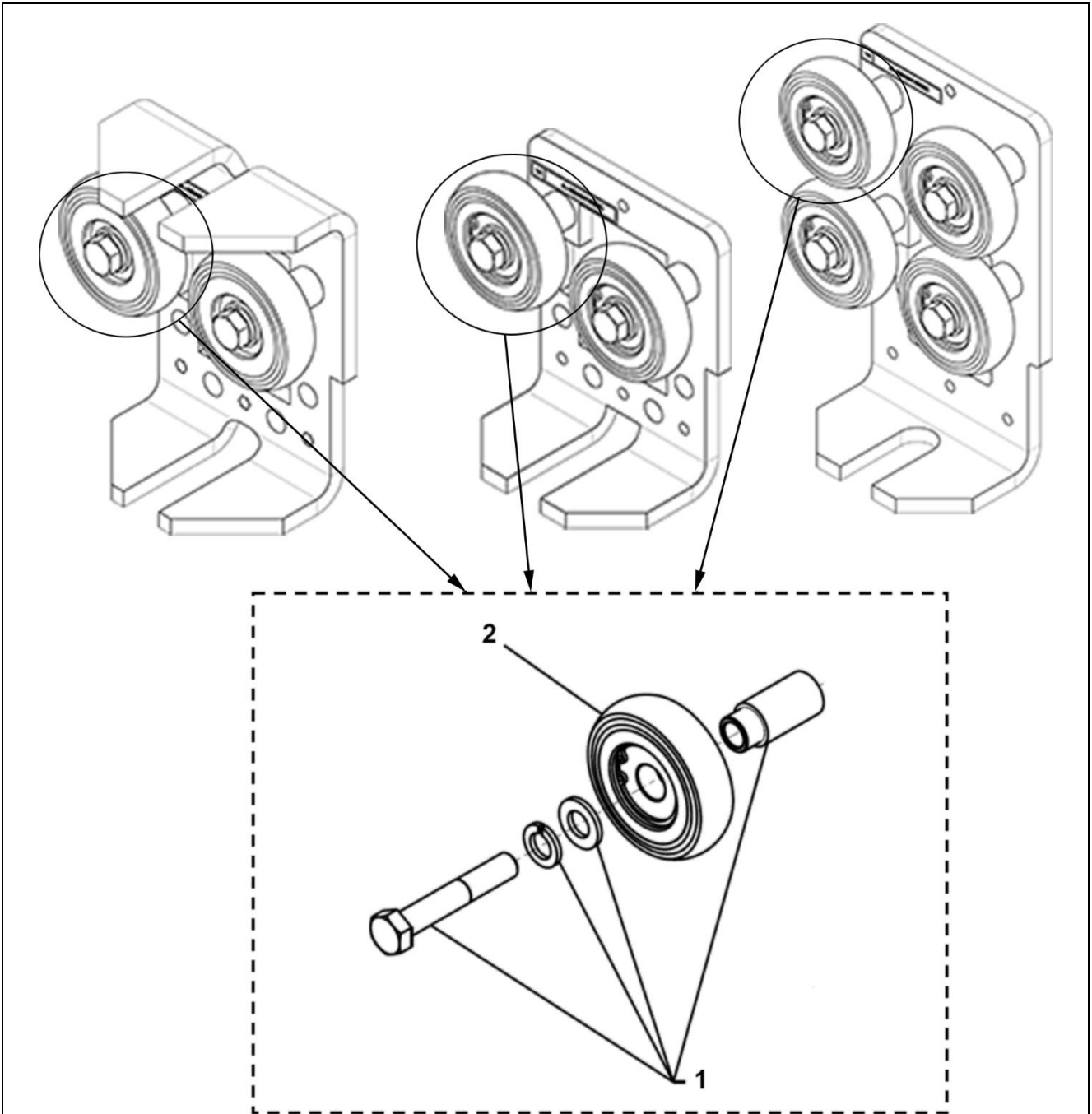


<b>AAA24180BC ABA24180BC</b>		
<b>REF. No.</b>	<b>PART No.</b>	<b>DESCRIPTION</b>
1	AAA24180BC1 ABA24180BC1	Guide, Roller, Front and Back, Bottom, <b>NOTE</b>
	AAA24180BC2 ABA24180BC2	Guide, Roller, Front and Back, Top, <b>NOTE</b>
2	AAA24180BE2	Guide, Roller, Post, <b>NOTE</b>
3	AAA255PW1	Shim, Post Roller Mounting (One shim; Three shims required)
4	NON1241M8X40-8.8Z	Screw, M8x40 Hex Head Cap Screw w/ Serrated Flange
5	NON1241M8X16-8.8Z	Screw, M8x16 Hex Head Cap Screw w/ Serrated Flange

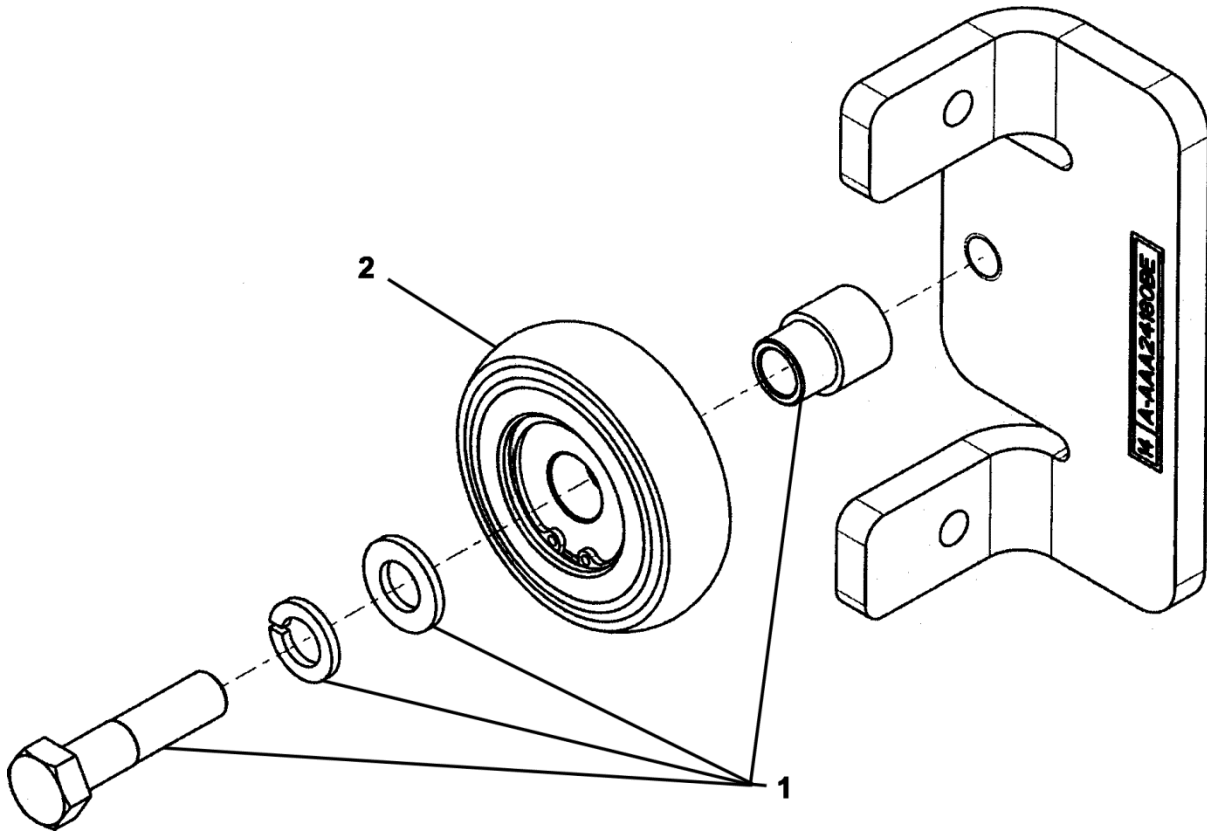
**NOTE:** This roller guide will only be used with 3 mm clearance safeties.

# Roller Guides

**14-AAA24180BC**



<b>AAA24180BC ABA24180BC</b>		
<b>REF. No.</b>	<b>PART No.</b>	<b>DESCRIPTION</b>
1	AAA24180BC400 ABA24180BC400	Kit, Roller Mounting
2	AAA456YS2	Roller



AAA24180BE		
REF. No.	PART No.	DESCRIPTION
1	AAA24180BE400	Kit, Roller Mounting
2	AAA456YS2	Roller