

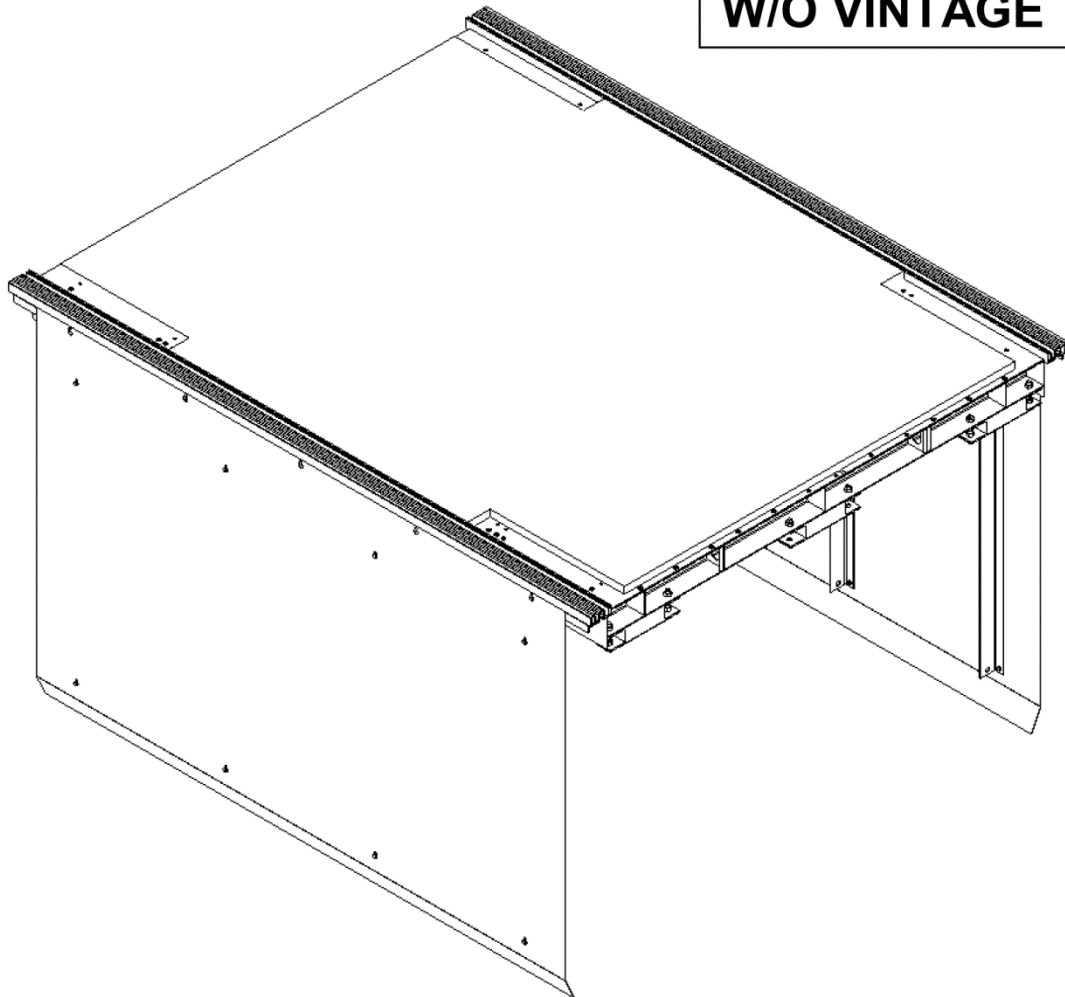
**GMH Platform
(900 – 2268 kg Duties)**

Spare Parts Leaflet

14-AAA24240H

3/12/2014 / Page 1 of 8

W/O VINTAGE



OTIS

SERVICE ENGINEERING

Otis Elevator Company

HRSIT, Shanghai China

Unpublished Work—© Otis Elevator Co.

Leaflet Description

This Spare Parts Leaflet (SPL) reflects the Lowest Replaceable Unites (LRUs) for GMH platform assemblies, for duties ranging from 900 kg to 2268 kg.

Leaflet Revisions

Date Revised	Subject Matter Expert	Reason for Revision
3.12.2014	Lu Xiaopei	New SPL

Related Drawings

Drawing No.	Title	Drawing No.	Title
AAA24240H	PLATFORM		

Related Documents

Document ID	Title

Subject Matter Expert

Name	Department
Lu Xiaopei	GMH SIT

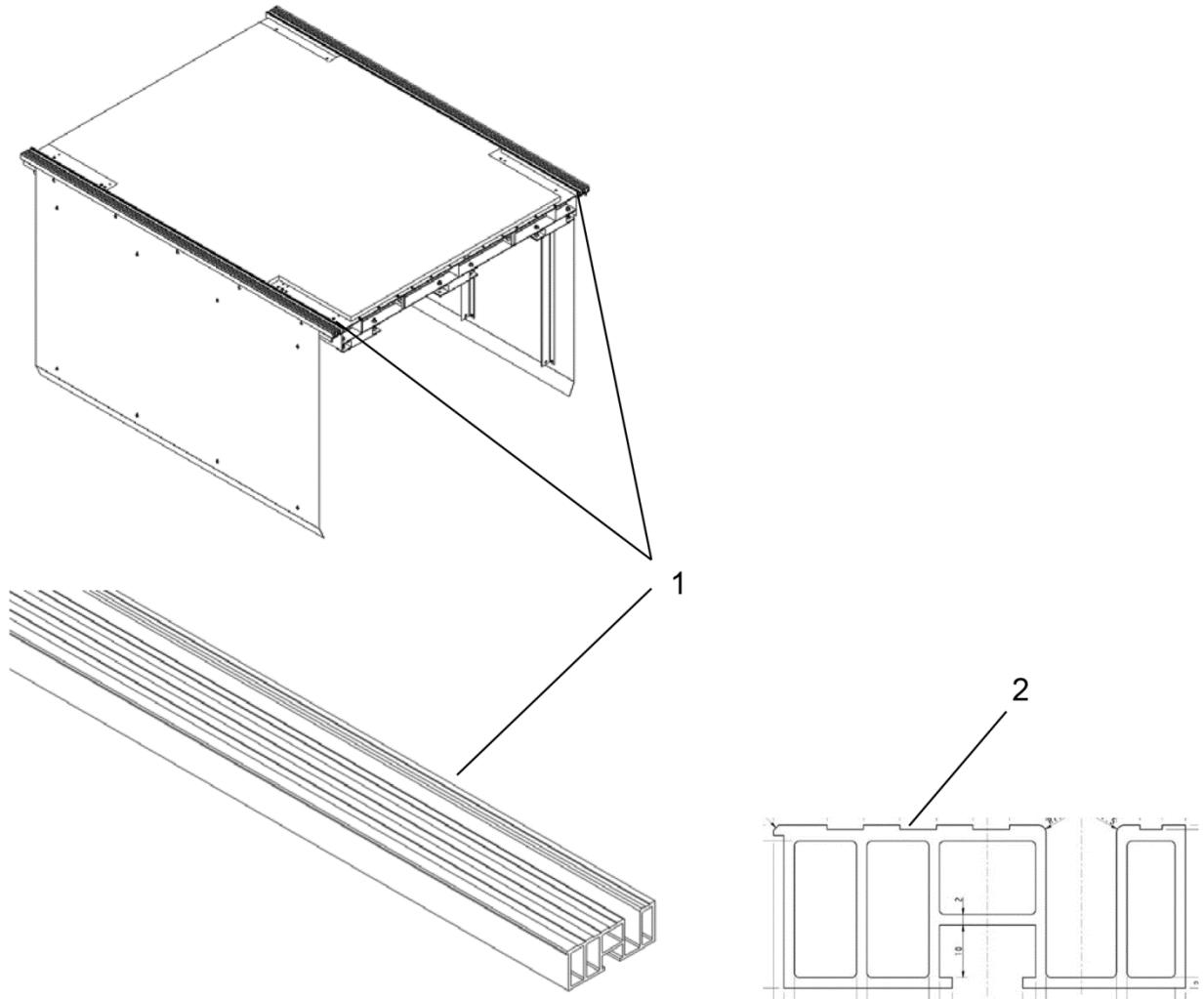
About Spare Parts Leaflets...

This document lists the lowest replaceable units (LRUs) for the standard version of the product. The LRUs are chosen by a team of Otis associates representing engineering and manufacturing.

While goal of this document is to make parts identification as easy as possible, the document cannot be all-inclusive. Elevator and escalator contracts classified as "special" or "custom" are not addressed here. For such contracts, please refer to specified information, the contract folder, TIPs, Field Education Articles, Construction Letters, etc. for further information.

If you have any suggestions about this document, please contact the subject matter expert listed on this page.

Center-Opening Doors Platform Shown

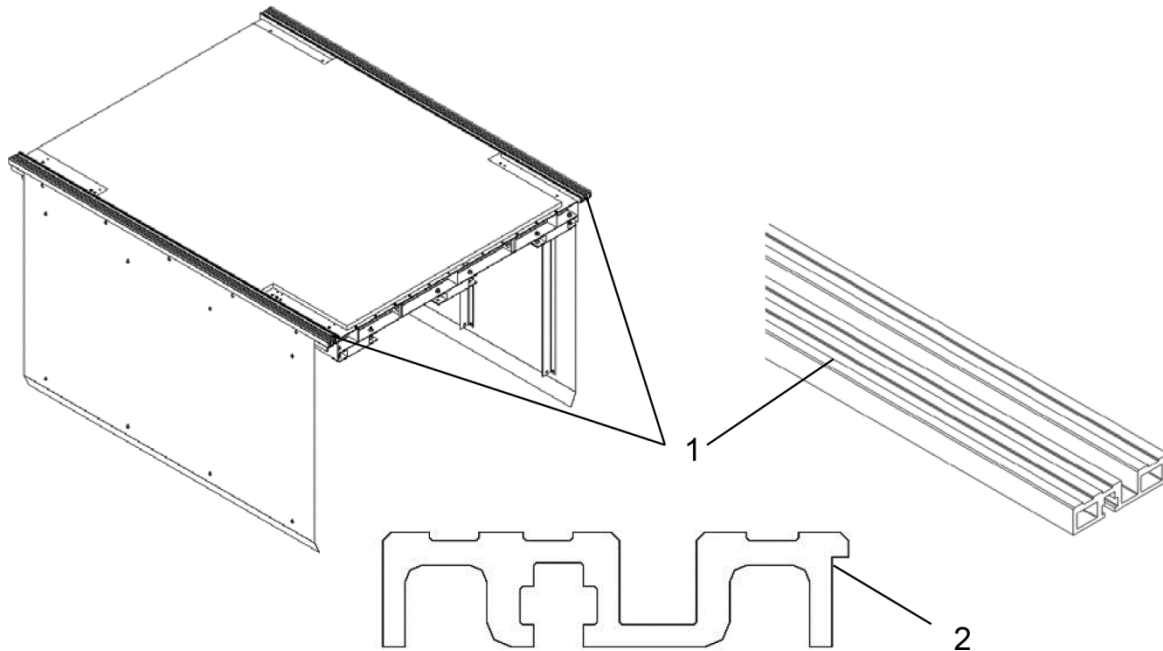


W/O VINTAGE					
REF. No.	PART No.	DESCRIPTION	OPENING TYPE	OPENING WIDTH	LENGTH
1	AAA280BL999-762	Threshold, Aluminum	C/O For NGSOK	762 mm	1504 mm
	AAA280BL999-914			914 mm	1808 mm
	AAA280BL999-1067			1067 mm	2114 mm
	AAA280BL999-1219			1219 mm	2418 mm
	AAA280BL999-1372			1372 mm	2724 mm
2	AAA50AWL-2780	Shape, Aluminum	N/A	N/A	2780 mm

14-AAA24240H

Platform Threshold, Aluminum, C/O and S/S for NGPOK

Center-Opening Doors Platform Shown



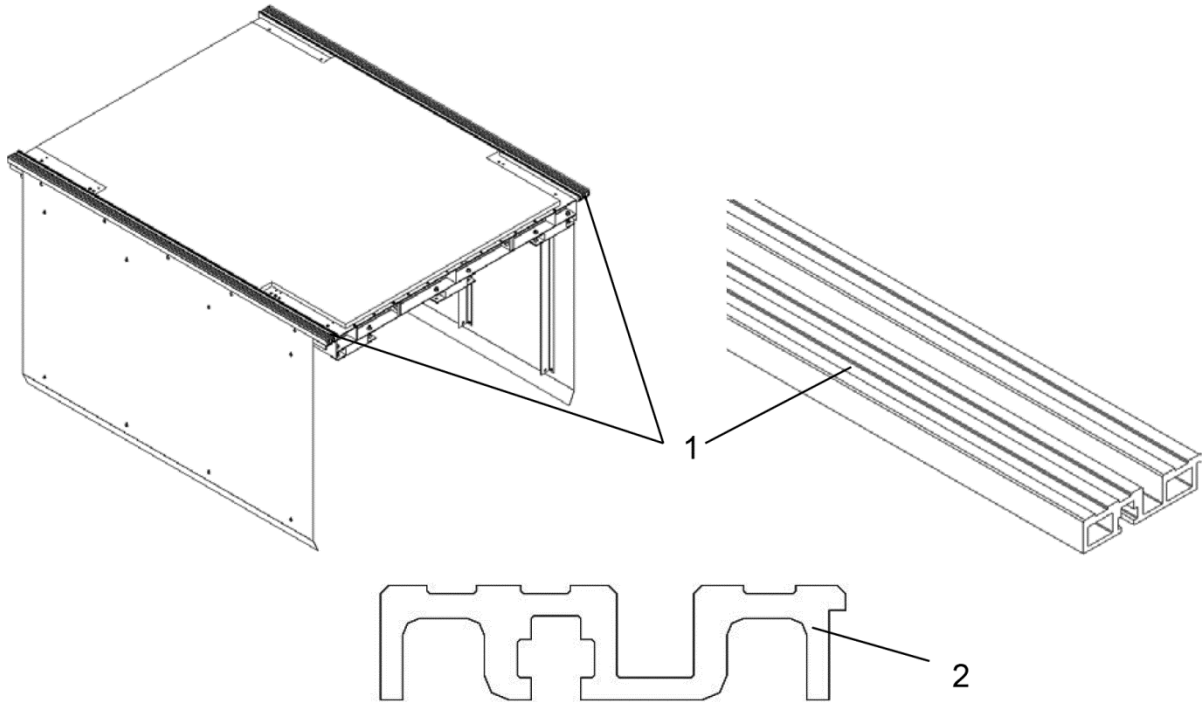
W/O VINTAGE					
REF. No.	PART No.	DESCRIPTION	OPENING TYPE	OPENING WIDTH	LENGTH
1	AAA280BS999-CO-762	Threshold, Aluminum	C/O For NGPOK	762 mm	1524 mm
	AAA280BS999-CO-914			914 mm	1828 mm
	AAA280BS999-CO-1067			1067 mm	2134 mm
	AAA280BS999-CO-1219			1219 mm	2438 mm
	AAA280BS999-CO-1372			1372 mm	2744 mm
	AAA280BS999-SS-762		S/S For NGPOK	762 mm	1524 mm
	AAA280BS999-SS-914			914 mm	1828 mm
	AAA280BS999-SS-1067			1067 mm	2134 mm
	AAA280BS999-SS-1219			1219 mm	2438 mm
	AAA280BS999-SS-1372			1372 mm	2744 mm
2	AAA280BJ995-3200	Shape, Aluminum, No Slots / Holes	C/O, S/S	N/A	3200 mm

NOTE: Holes drilled in finished C/O and S/S thresholds are different, and parts are not interchangeable.

Platform Threshold, Bronze, C/O and S/S for NGPOK

14-AAA24240H

Center-Opening Doors and Side-Opening Doors Platform Shown



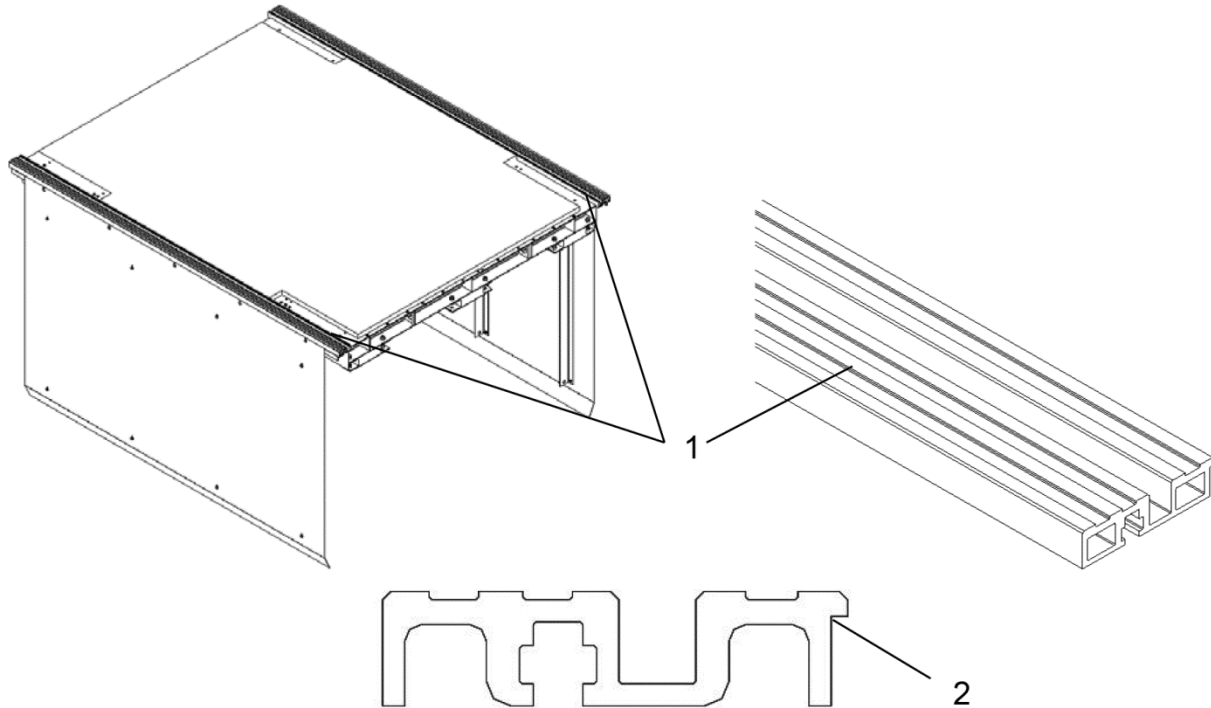
W/O VINTAGE					
REF. No.	PART No.	DESCRIPTION	OPENING TYPE	OPENING WIDTH	LENGTH
1	AAA280BV999-CO-762	Threshold, Bronze	C/O For NGPOK	762 mm	1524 mm
	AAA280BV999-CO-914			914 mm	1828 mm
	AAA280BV999-CO-1067			1067 mm	2134 mm
	AAA280BV999-CO-1219			1219 mm	2438 mm
	AAA280BV999-CO-1372			1372 mm	2744 mm
	AAA280BV999-SS-762		S/S For NGPOK	762 mm	1524 mm
	AAA280BV999-SS-914			914 mm	1828 mm
	AAA280BV999-SS-1067			1067 mm	2134 mm
	AAA280BV999-SS-1219			1219 mm	2438 mm
	AAA280BV999-SS-1372			1372 mm	2744 mm
2	AAA280BN995-3200	Shape, Bronze, No Slots / Holes	C/O, S/S	N/A	3200 mm

NOTE: Holes drilled in finished C/O and S/S thresholds are different, and parts are not interchangeable.

14-AAA24240H

Platform Threshold, Nickel Silver, C/O and S/S for NGPOK

Center-Opening Doors and Side-Opening Doors Platform Shown

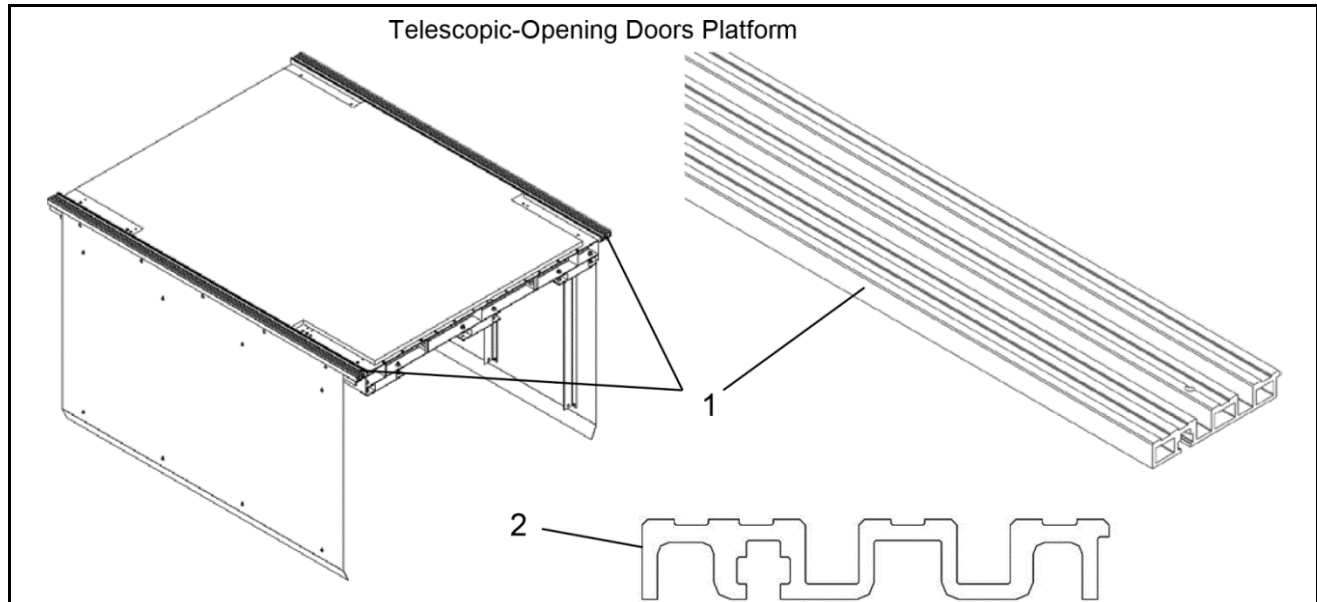


W/O VINTAGE					
REF. No.	PART No.	DESCRIPTION	OPENING TYPE	OPENING WIDTH	LENGTH
1	AAA280BT999-CO-762	Threshold, Nickel Silver	C/O For NGPOK	762 mm	1524 mm
	AAA280BT999-CO-914			914 mm	1828 mm
	AAA280BT999-CO-1067			1067 mm	2134 mm
	AAA280BT999-CO-1219			1219 mm	2438 mm
	AAA280BT999-CO-1372			1372 mm	2744 mm
	AAA280BT999-SS-762		S/S For NGPOK	762 mm	1524 mm
	AAA280BT999-SS-914			914 mm	1828 mm
	AAA280BT999-SS-1067			1067 mm	2134 mm
	AAA280BT999-SS-1219			1219 mm	2438 mm
	AAA280BT999-SS-1372			1372 mm	2744 mm
2	AAA280BM995-3200	Shape, Nickel Silver	C/O, S/S	N/A	3200 mm

NOTE: Holes drilled in finished C/O and S/S thresholds are different, and parts are not interchangeable.

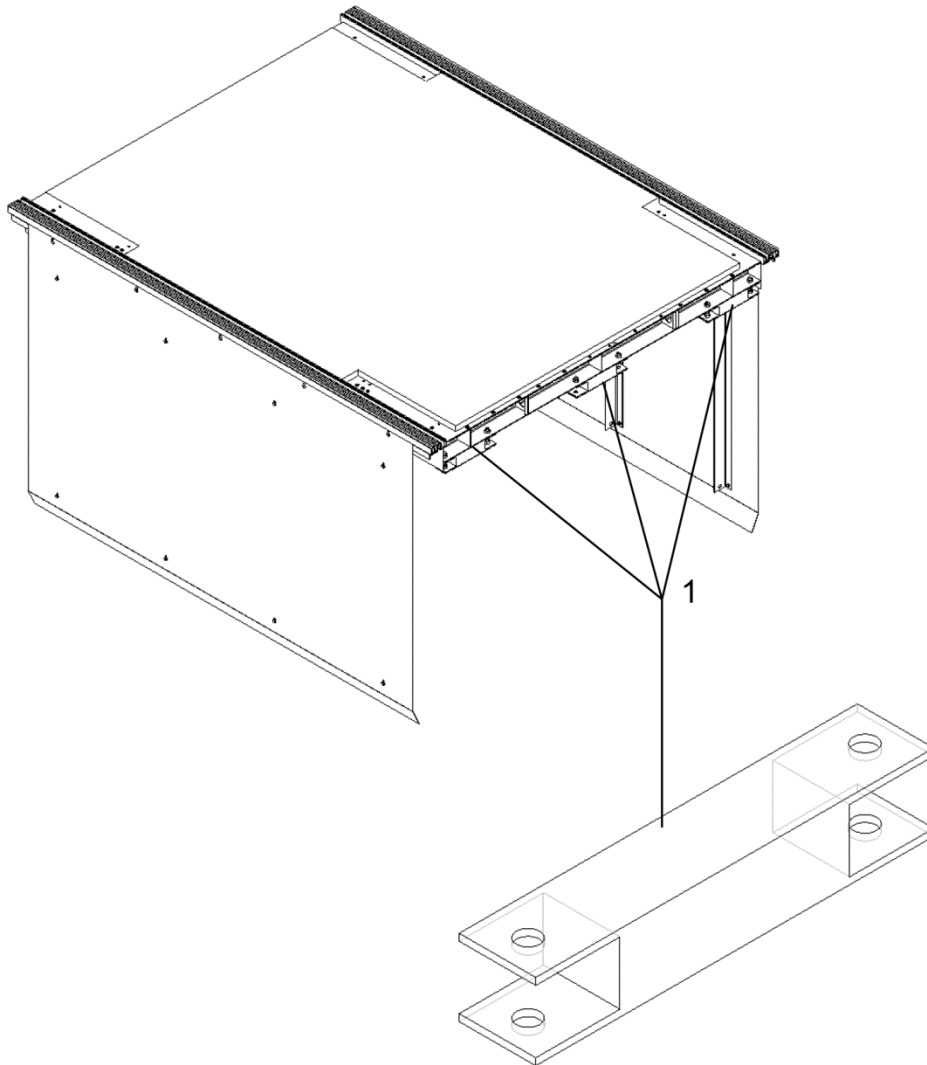
Platform Threshold, 2/S for NGPOK

14-AAA24240H



		W/O VINTAGE			
REF. No.	PART No.	DESCRIPTION	OPENING TYPE	OPENING WIDTH	LENGTH
1	AAA280BS998-762	Threshold, Aluminum	2/S For NGPOK	762 mm	1143 mm
	AAA280BS998-914			914 mm	1371 mm
	AAA280BS998-1067			1067 mm	1600.5 mm
	AAA280BS998-1219			1219 mm	1828.5 mm
	AAA280BS998-1372			1372 mm	2058 mm
	AAA280BV998-762	Threshold, Bronze		762 mm	1143 mm
	AAA280BV998-914			914 mm	1371 mm
	AAA280BV998-1067			1067 mm	1600.5 mm
	AAA280BV998-1219			1219 mm	1828.5 mm
	AAA280BV998-1372			1372 mm	2058 mm
	AAA280BT998-762	Threshold, Nickel Silver		762 mm	1143 mm
	AAA280BT998-914			914 mm	1371 mm
	AAA280BT998-1067			1067 mm	1600.5 mm
	AAA280BT998-1219			1219 mm	1828.5 mm
	AAA280BT998-1372			1372 mm	2058 mm
2	AAA280BJ994-2400	Shape, Aluminum, No Slots / Holes	N/A	2400 mm	
	AAA280BN994-2400	Shape, Bronze, No Slots / Holes	N/A	2400 mm	
	AAA280BM994-2400	Shape, Nickel Silver	N/A	2400 mm	

Platform FLOOR CUSHION RUBBER Shown



		W/O VINTAGE	
REF. No.	PART No.	DESCRIPTION	LENGTH
1	AEA17C790-A	Floor Cushion Rubber	650 mm
	AEA17C790-B		850 mm
	AEA17C790-C		1050 mm