

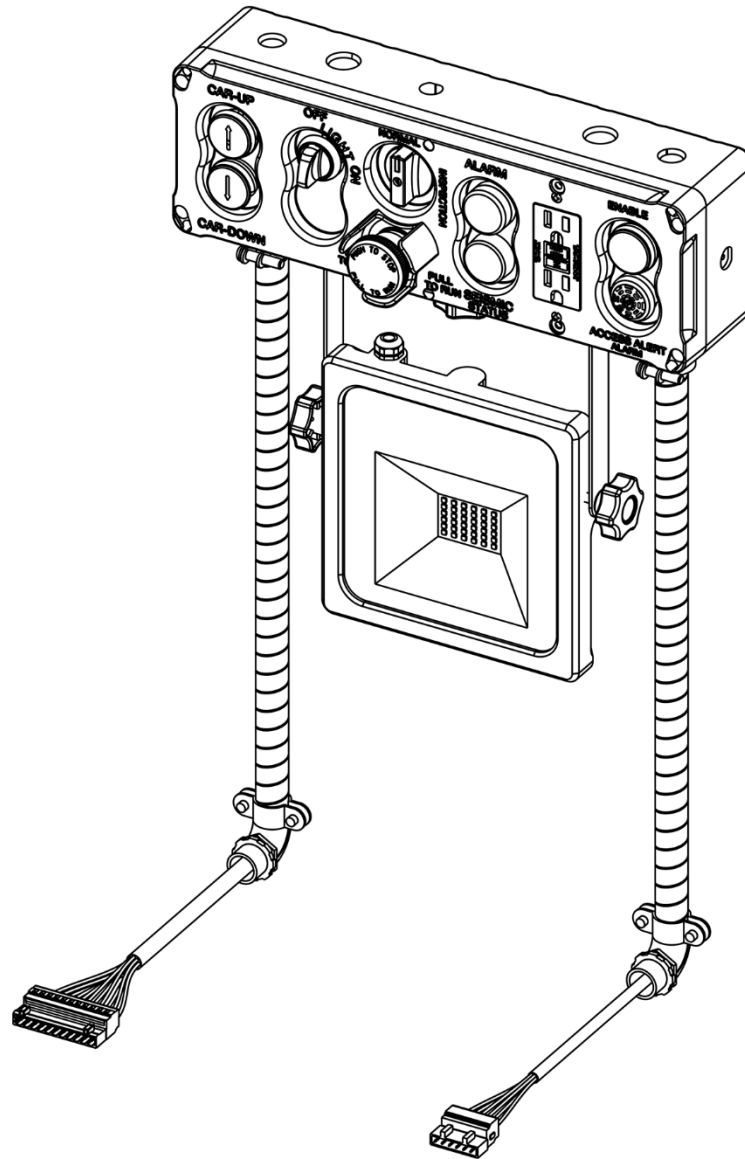
# Top-of-Car Inspection Box with Access Alert

Spare Parts Leaflet

14-AAA24831AC

August 4, 2021 / Page 1 of 4

14 A - AAA24831AC



# OTIS

This document does not contain any technical data subject to EAR or ITAR

**SERVICE ENGINEERING**  
**Otis Elevator Company**  
**Bloomfield, Connecticut USA**

Unpublished Work—© Otis Elevator Co.; 2021

**Leaflet Description**

This leaflet includes the inspection box assembly with the corresponding brackets and wiring diagrams for HydroFit®, G2S, and G2O controllers.

**Leaflet Revisions**

<b>Date Revised</b>	<b>Subject Matter Expert</b>	<b>Reason for Revision</b>
August 4, 2021	Brian Mierzejewski	New SPL

**Related Drawings**

<b>Drawing No.</b>	<b>Title</b>	<b>Drawing No.</b>	<b>Title</b>
AAA24831AC	Inspection Box w/Access Alert, Pluggable Box	---	---

**Related Documents**

<b>Document ID</b>	<b>Title</b>
---	---

**Subject Matter Expert**

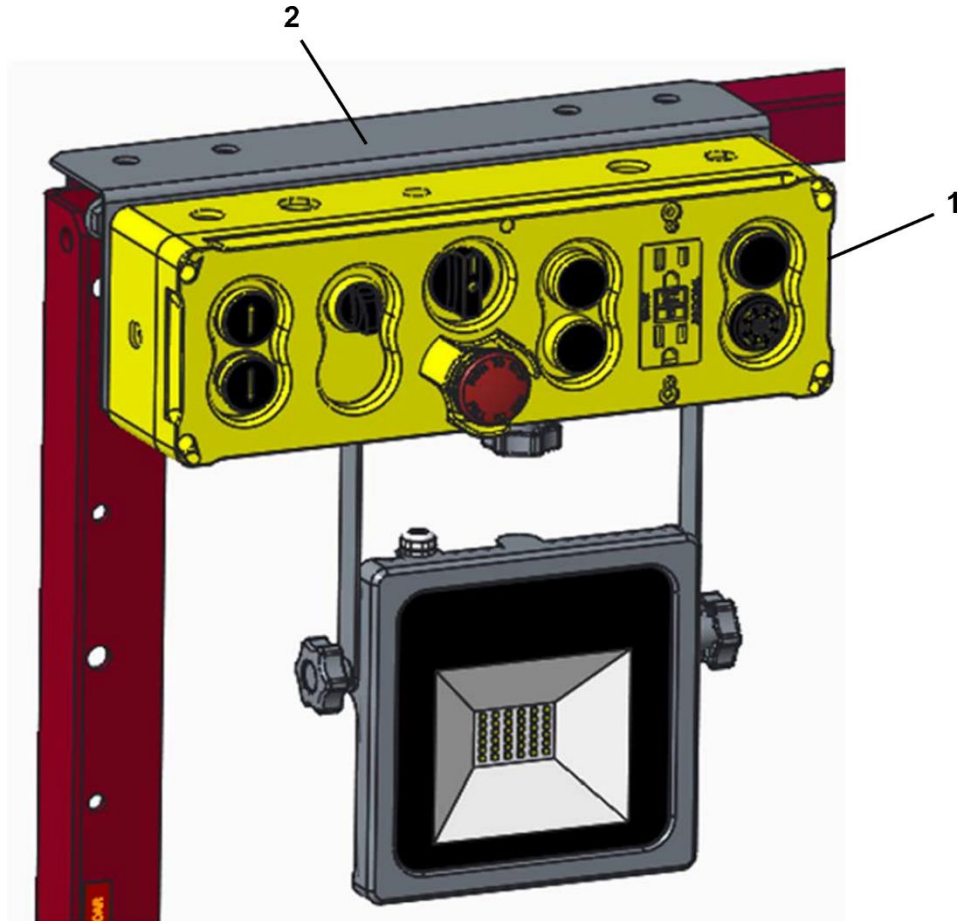
<b>Name</b>	<b>Department</b>
Troy Chicoine	OSC Service Engineering

**About Spare Parts Leaflets...**

This document lists the lowest replaceable units (LRUs) for the standard version of the product. The LRUs are chosen by a team of Otis associates representing engineering and manufacturing.

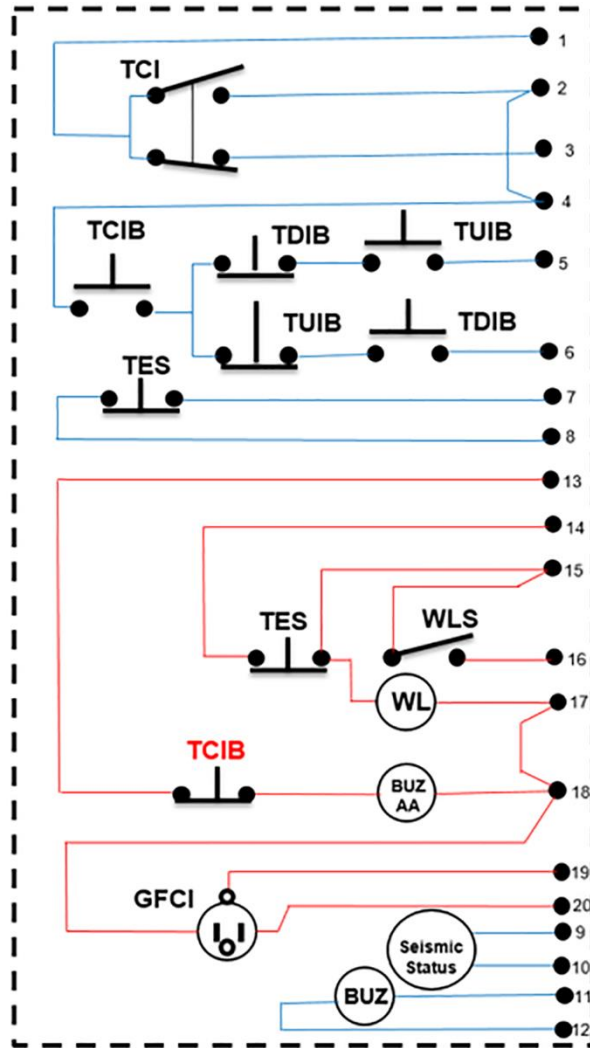
While goal of this document is to make parts identification as easy as possible, the document cannot be all-inclusive. Elevator and escalator contracts classified as “special” or “custom” are not addressed here. For such contracts, please refer to specified information, the contract folder, TIPs, Field Education Articles, Construction Letters, etc. for further information.

If you have any suggestions about this document, please contact the subject matter expert listed on this page.



AAA24831AC		
REF. No.	PART No.	DESCRIPTION
1	AAA24831AC1	Assembly, Top-of-Car Inspection
2	AAA316KTF2	Bracket, G2O (shown)
	AAA316KTG1	Bracket, G2S / HYD
*	AAA447BE185	Pin, Connector KJ13, 11
*	AAA176HH304	Pin, Connector KJ3, 6

\* Part not shown.



- 18 AWG Wire ————
- 14 AWG Wire ————

18AWG Cable Connections			14AWG Cable Connections		
AAA24831AC1 Assembly Terminal Block Number	WAGO P/N 721-611 (marked KJ13) Pin Number	Wire Color	AAA24831AC1 Assembly Terminal Block Number	WAGO P/N 721-606 (marked KJ3) Pin Number	Wire Color
1	3	Red	13	6	Red
2	5	Red	14	5	Red
3	6	Red	15	4	Red
4	-	-	16	1	Red
5	1	Red	17	-	-
6	4	Red	18	2	Red w/White stripe
7	2	Red	19	(Stripped - not connected)	Green w/Yellow stripe
8	8	Red	20	3	Red
9	7	Brown			
10	9	Brown w/White Stripe			
11	10	Brown			
12	11	Brown w/White Stripe			