

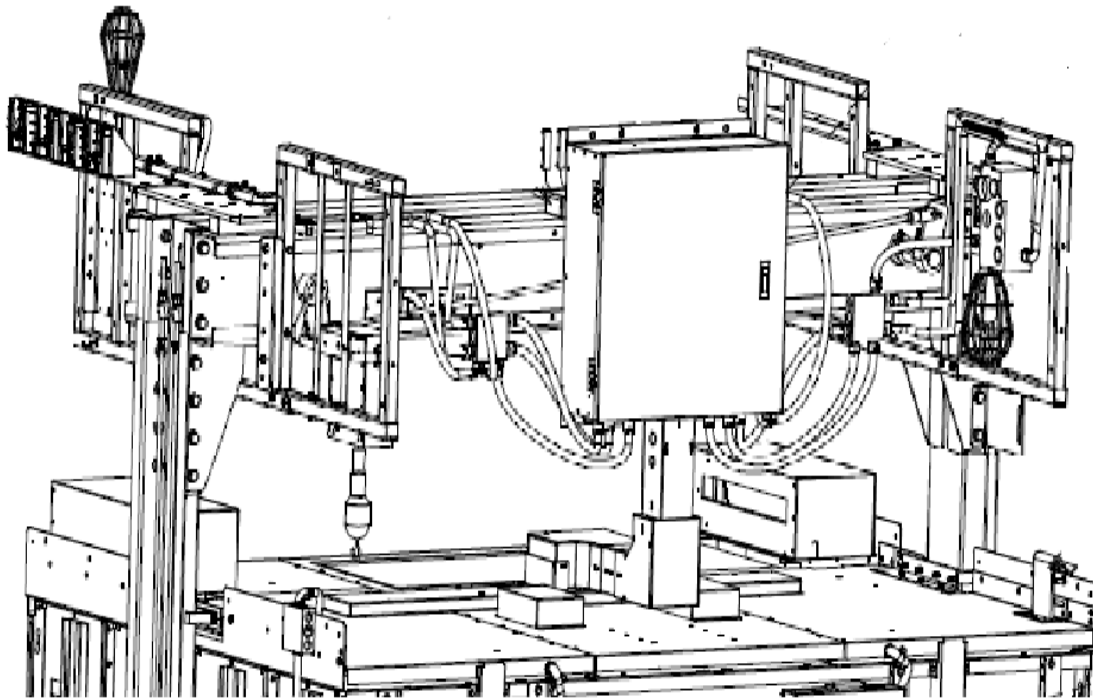
**Top-of-Car Components  
GMH**

**Spare Parts Leaflet**

**14-AAA25400CA**

**April 23, 2014 Page 1 of 4**

**W/O  
VINTAGE**



**OTIS**

**SERVICE ENGINEERING**

**Otis Elevator Company**

**HRSIT, Shanghai China**

Unpublished Work—© Otis Elevator Co.; 2014

**Leaflet Description**

This leaflet describe top of car components spare parts information for GMH product.

**Leaflet Revisions**

<b>Date Revised</b>	<b>Subject Matter Expert</b>	<b>Reason for Revision</b>
12.12, 2013	Allen. Li	New SPL

**Related Drawings**

<b>Drawing No.</b>	<b>Title</b>	<b>Drawing No.</b>	<b>Title</b>
AAA25400CA	Car Component and Wiring Layout	AAA25580BF	Top of car equipment
AAA25580BE	Top of car equipment	AAA25580BJ	Auxiliary work light
AAA24520AA	Detector Box	GAA24270AH	Load weight device
AAA24270K	Load weight device	KAA29505AAN	ET Sensor
KAA29505AAM	NT Sensor		

**Related Documents**

<b>Document ID</b>	<b>Title</b>

**Subject Matter Expert**

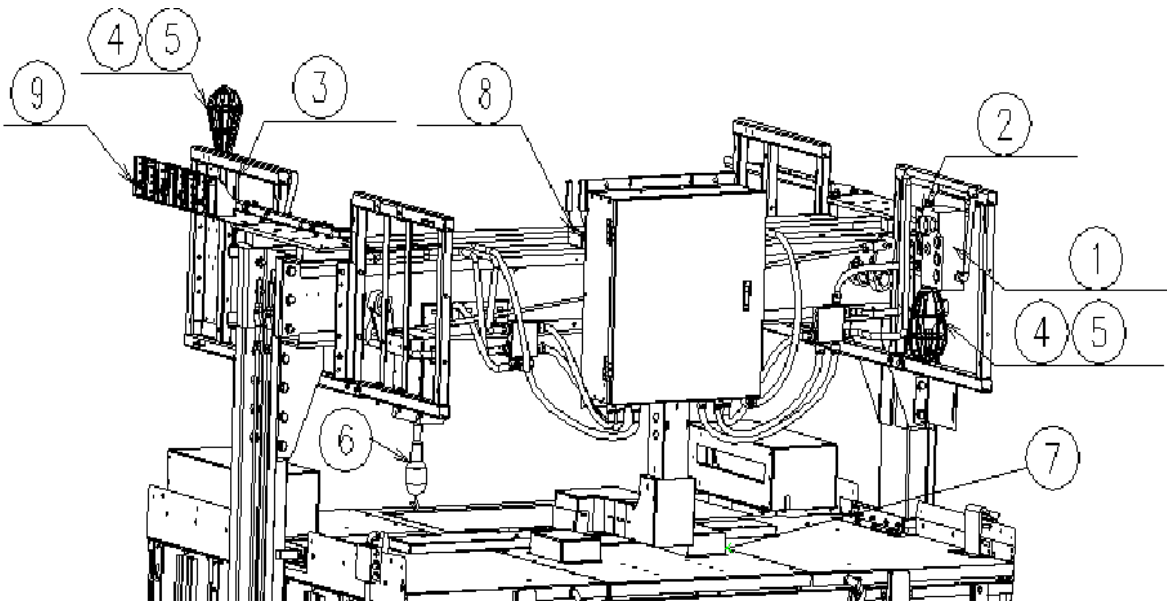
<b>Name</b>	<b>Department</b>
Allen. Li	HRSIT, Shanghai, China

**About Spare Parts Leaflets...**

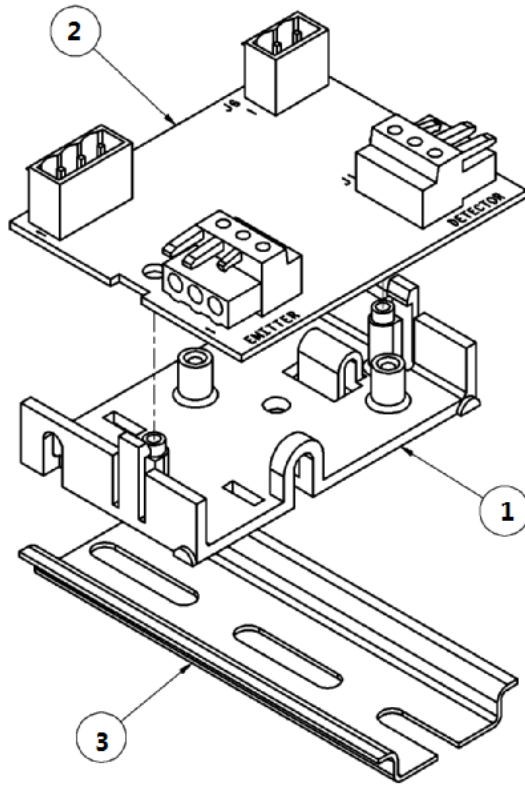
This document lists the lowest replaceable units (LRUs) for the standard version of the product. The LRUs are chosen by a team of Otis associates representing engineering and manufacturing.

While goal of this document is to make parts identification as easy as possible, the document cannot be all-inclusive. Elevator and escalator contracts classified as "special" or "custom" are not addressed here. For such contracts, please refer to specified information, the contract folder, TIPs, Field Education Articles, Construction Letters, etc. for further information.

If you have any suggestions about this document, please contact the subject matter expert listed on this page.



W/O VINTAGE		
REF. No.	PART No.	DESCRIPTION
1	MBA24831A001	Inspection Box,  SPL 14-MAA24831A
2	AAA25580BE6	Assembly, TOC alarm and lighting fixture (w/o Lamp Guard) with GFCI Outlet Front Entrance Only
3	AAA25580BF5	Assembly, TOC Emergency Stop Switch and lighting fixture (w/o Lamp Guard) Rear Entrance Only
4	AAA384ABX2	Guard , Lamp
5	6599D14	Lamp, 125 VAC, 100 W
6	AAA25580BJ	Light Box, Auxiliary,  SPL 17-AAA25580BJ
7	---	Electronic Door Detector Material, See p.4
8	GAA24270AH	Load Weight Device,  17-GAA24270AH
	AAA24270K	Load Weight Device,  17-AAA24270K
9	KAA29505AAN	ET Sensor,  12-KAA29505AAN
	KAA29505AAM	NT Sensor,  12-KAA29505AAM



	<b>W/O VINTAGE</b>	
<b>REF. No.</b>	<b>PART No.</b>	<b>DESCRIPTION</b>
1	AAA180FE1	Holder, Molded
2	AAA24591AM117	Optiguard PCB. Use only with Optiguard emitter and detector
3	401B89	Rail