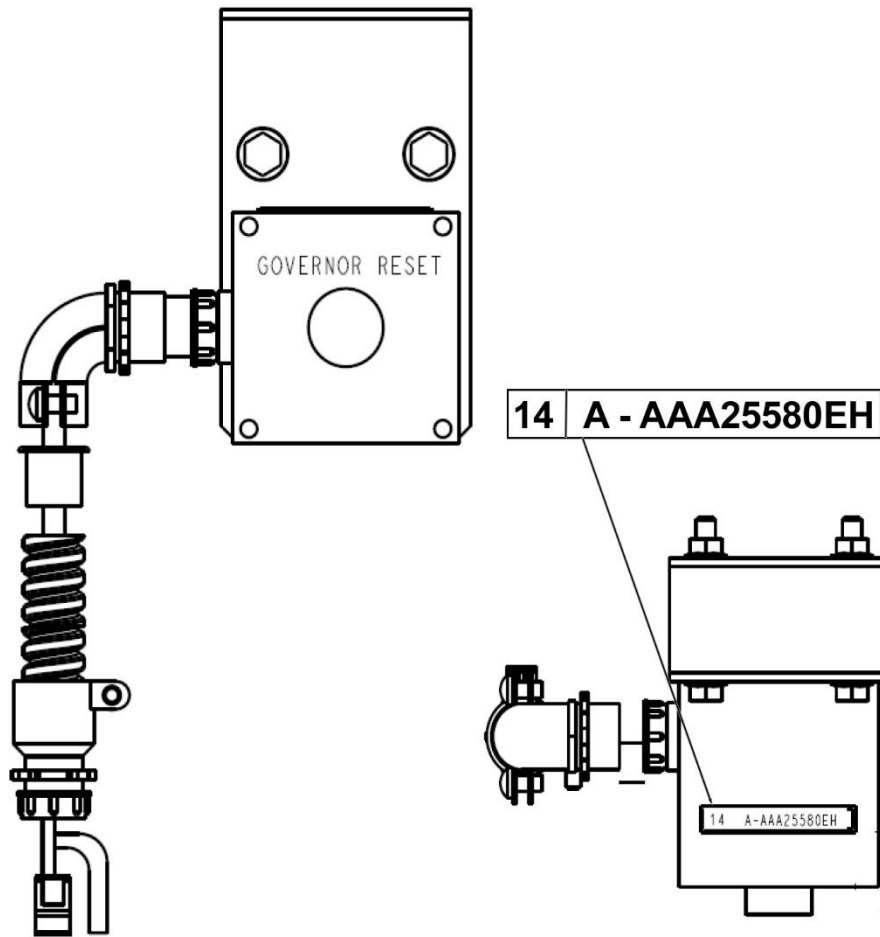


G3C Governor Reset Box

Spare Parts Leaflet

14-AAA25580EH

February 22, 2023 / Page 1 of 3



OTIS

This document does not contain any technical data subject to EAR or ITAR

SERVICE ENGINEERING

Otis Elevator Company

Bloomfield, Connecticut USA

Unpublished Work—© Otis Elevator Co.; 2023

Leaflet Description

This leaflet provides spare parts information for remote governor reset box for the Gen3 core. NYC requires the governor be reset from the hall while being able to physically see the governor. This remote governor reset box provides a way for the mechanic to be able to accomplish this.

Leaflet Revisions

Date Revised	Subject Matter Expert	Reason for Revision
February 22, 2023	Philip Buie	New SPL

Related Drawings

Drawing No.	Title	Drawing No.	Title
AAA25580EH	Governor Reset Box	AAA2160MT	Prewiring Cable Assembly
---	---	---	---

Related Documents

Document ID	Title
---	---

Subject Matter Expert

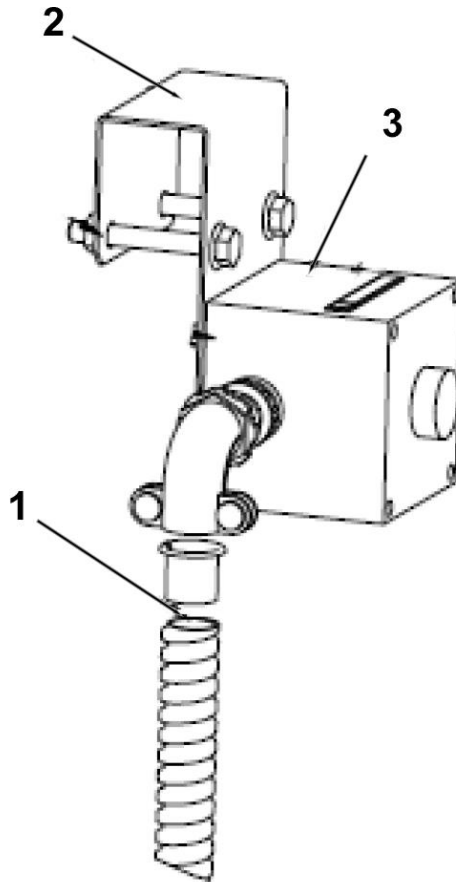
Name	Department
Philip Buie	Florence SIT Engineering

About Spare Parts Leaflets...

This document lists the lowest replaceable units (LRUs) for the standard version of the product. The LRUs are chosen by a team of Otis associates representing engineering and manufacturing.

While goal of this document is to make parts identification as easy as possible, the document cannot be all-inclusive. Elevator and escalator contracts classified as “special” or “custom” are not addressed here. For such contracts, please refer to specified information, the contract folder, TIPS, Field Education Articles, Construction Letters, etc. for further information.

If you have any suggestions about this document, please contact the subject matter expert listed on this page.



AAA25580EH		
REF. No.	PART No.	DESCRIPTION
1	AAA21600MT1	Assembly, Cable, Prewiring, Car, Mounted Governor GRS Harness
2	WAA316YX1	Bracket, Switch, CMG
3	AAA25580EH2	Switch, Reset, CMG