

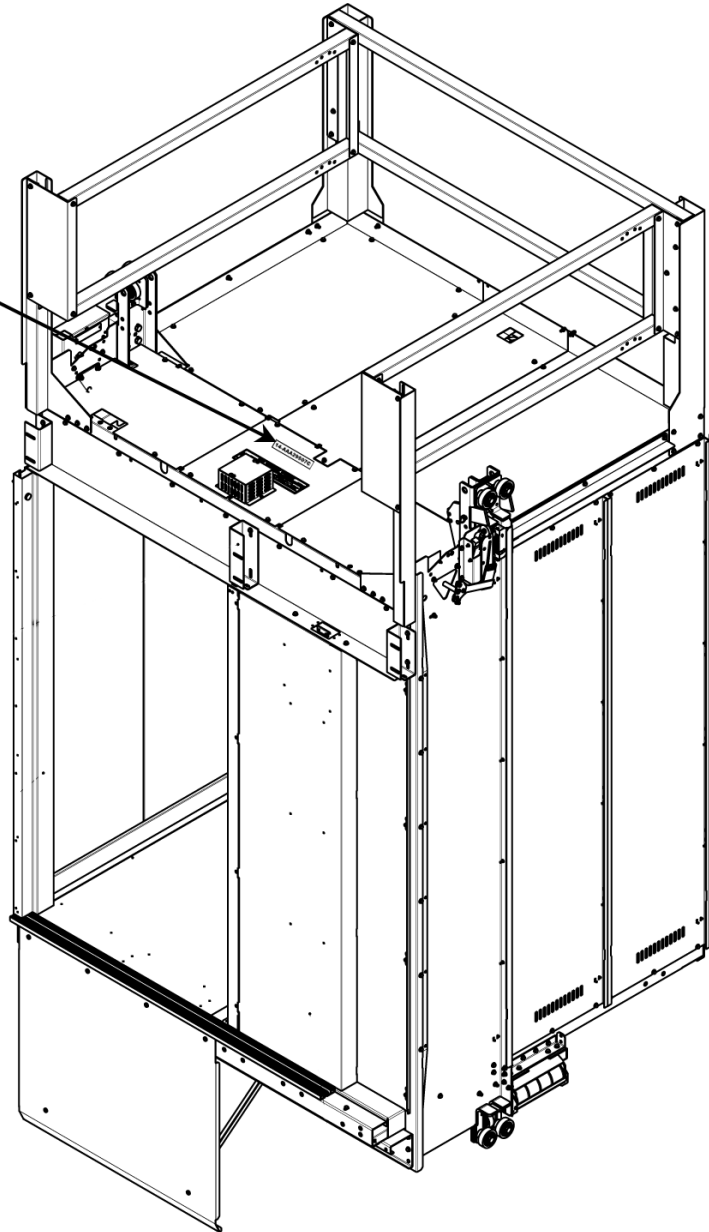
**Gen2 Underslung (150)
Carframe
(2100-3500 lb. Duties)**

Spare Parts Leaflet

14-AAA29507C

September 2, 2015 / Page 1 of 16

14-AAA29507C



OTIS

**SERVICE ENGINEERING
Otis Elevator Company
Bloomfield, Connecticut USA**

Unpublished Work—© Otis Elevator Co.; 2015

Leaflet Description

This leaflet covers the carframe spare parts used on the Gen2® Underslung150, 2100–3500 lb. duties. This system is also sometimes referred to as Gen2 S.

Leaflet Revisions

Date Revised	Subject Matter Expert	Reason for Revision
June 26, 2013	Rich Blakelock	New SPL
July 30, 2014	Kyle Pereira	Updated reference 1 on p. 5
September 2, 2015	Kyle Pereira	Updated p. 15

Related Drawings

Drawing No.	Title	Drawing No.	Title
AAA24661K	Drop Ceiling Passenger		
AAA29507C	Carframe Assembly		

Related Documents

Document ID	Title
SPL 15-TAA20641J	Governor, Manual and Remote Reset
SPL 14-AAA24180AZ	Roller Guides
SPL 14-AAA24180BA	Roller Guides
SPL 17-AAA25580CA	Top of Car Handrail
AAA29503B_TDS	Cab Technical Data Sheet
AAA29507C_TDS	Carframe Technical Data Sheet

Subject Matter Expert

Name	Department
Rich Blakelock	Engineering, OECF

About Spare Parts Leaflets...

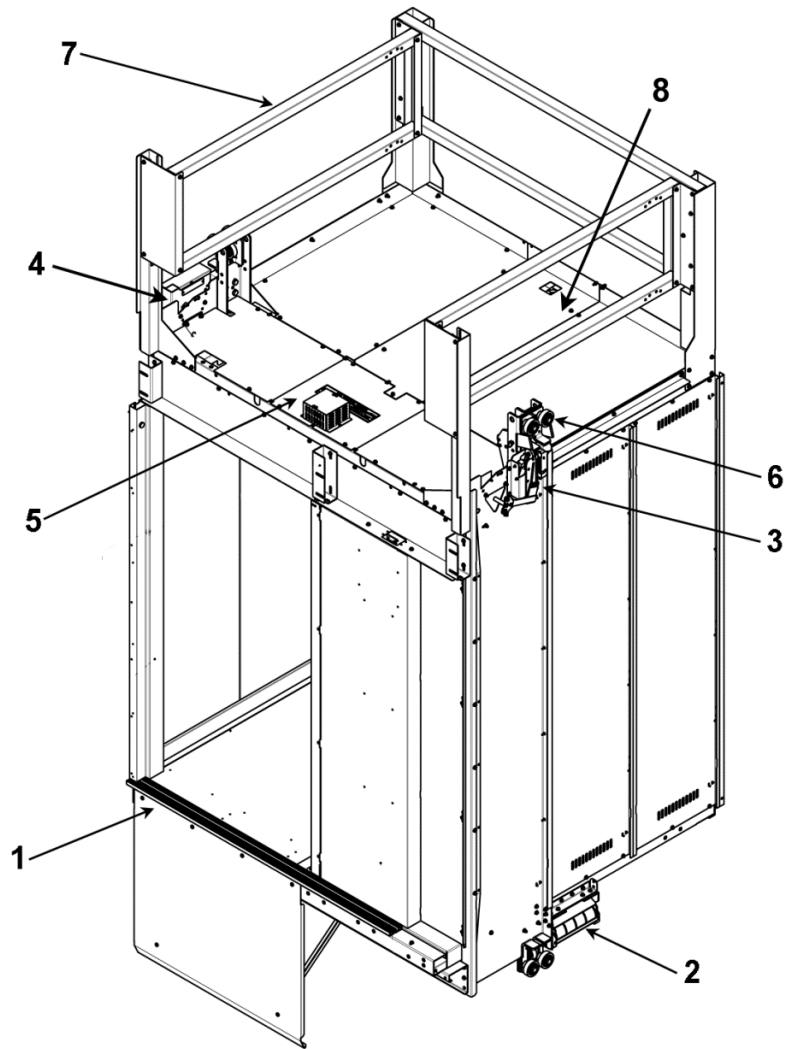
This document lists the lowest replaceable units (LRUs) for the standard version of the product. The LRUs are chosen by a team of Otis associates representing engineering and manufacturing.

While goal of this document is to make parts identification as easy as possible, the document cannot be all-inclusive. Elevator and escalator contracts classified as “special” or “custom” are not addressed here. For such contracts, please refer to specified information, the contract folder, TIPs, Field Education Articles, Construction Letters, etc. for further information.

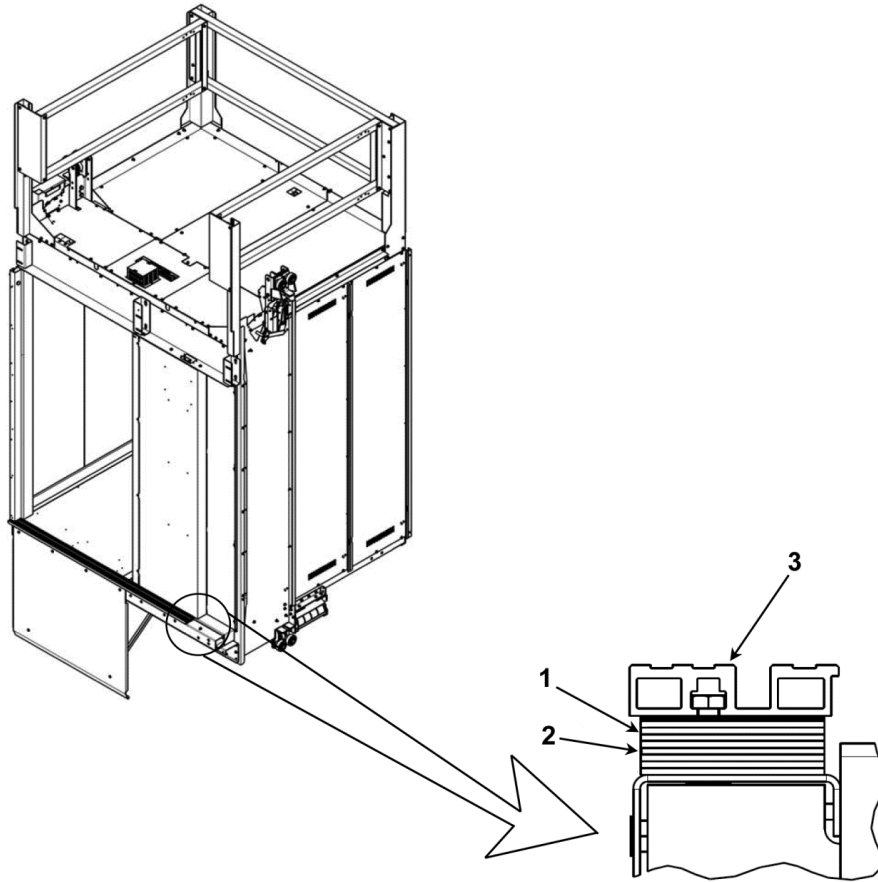
If you have any suggestions about this document, please contact the subject matter expert listed on this page.

Table of Contents

14-AAA29507C



Ref. No.	Page No.	DESCRIPTION
1	4	Threshold and Shim
2	5	Sheave Assembly
3	6	Safeties
4	---	Governor, Manual and Remote Reset. See SPL 15-TAA20641J.
5	7	Safety Linkages
6	9	Roller Guides
7	10	Top-of-Car Handrail
---	11	Crosshead Electrical Components (not shown)
8	12	Top-of-Car Emergency Exit
---	13	Handrails, In-Car (not shown)
---	15	Drop Ceiling (Light Bulb, Light Socket, and Ring) (not shown)
---	16	Miscellaneous Spare Parts (not shown)

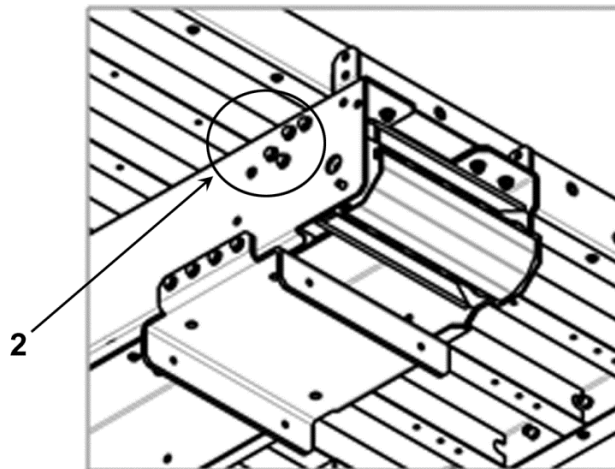
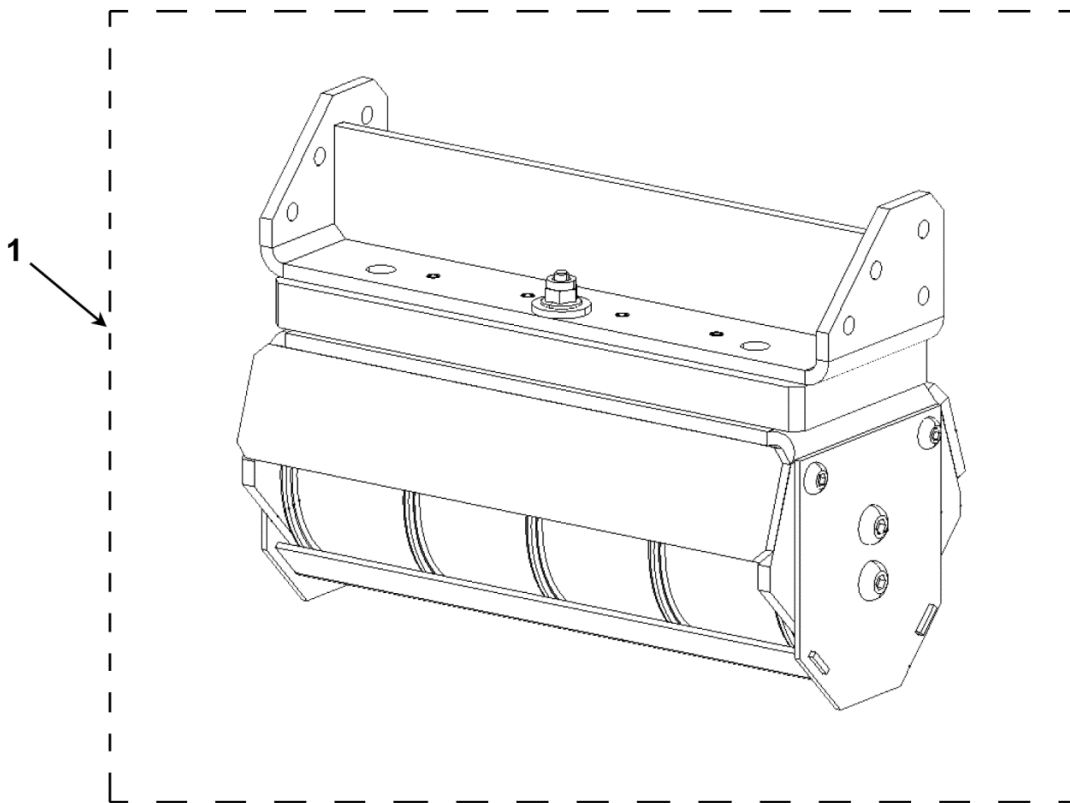


AAA29507C

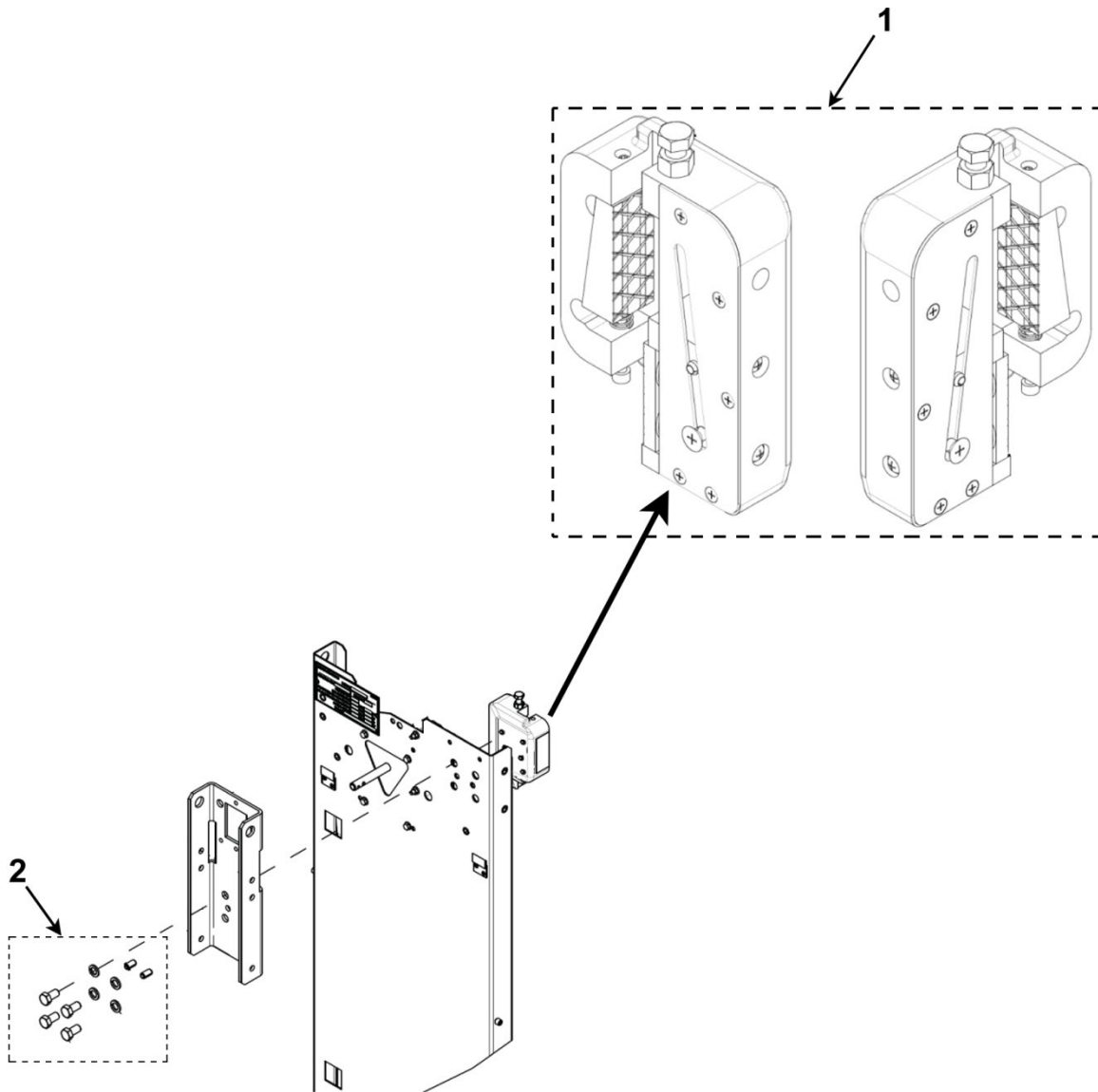
REF. No.	PART No.	DESCRIPTION	THICKNESS	OPENING TYPE	OPENING WIDTH	LENGTH
1	AAA255PG5	Shim, 12 GA	2.75 mm (0.11 in.)	Center-Opening	42 in. (1066,8 mm)	1658 mm (65.28 in.)
	AAA255PG3	Shim, 12 GA	2.75 mm (0.11 in.)	Single-Slide	36 in. (914,4 in.)	1423.4 mm (56.04 in.)
	AAA255PG1	Shim, 12 GA	2.75 mm (0.11 in.)	Single-Slide	42 in. (1066,8 mm)	1658 mm (65.28 in.)
2	AAA255PG6	Shim, 20 GA	1.0 mm (0.04 in.)	Center-Opening	42 in. (1066,8 mm)	1658 mm (65.28 in.)
	AAA255PG4	Shim, 20 GA	1.0 mm (0.04 in.)	Single-Slide	36 in. (914,4 in.)	1423.4 mm (56.04 in.)
	AAA255PG2	Shim, 20 GA	1.0 mm (0.04 in.)	Single-Slide	42 in. (1066,8 mm)	1658 mm (65.28 in.)
3	AAA280BJ1	Threshold	Aluminum	Center-Opening	42 in. (1066,8 mm)	1710.5 mm (67.34 in.)
	AAA280BJ5	Threshold	Aluminum	Single-Slide	36 in. (914,4 in.)	1511 mm (59.5 in.)
	AAA280BJ8	Threshold	Aluminum	Single-Slide	42 in. (1066,8 mm)	1740.5 mm (68.52 in.)
	AAA280BJ20	Shape, Threshold, No Holes/Slots	Aluminum	Center-Opening or Single-Slide	N/A	1740.5 mm (68.52 in.)

Sheave Assembly

14-AAA29507C



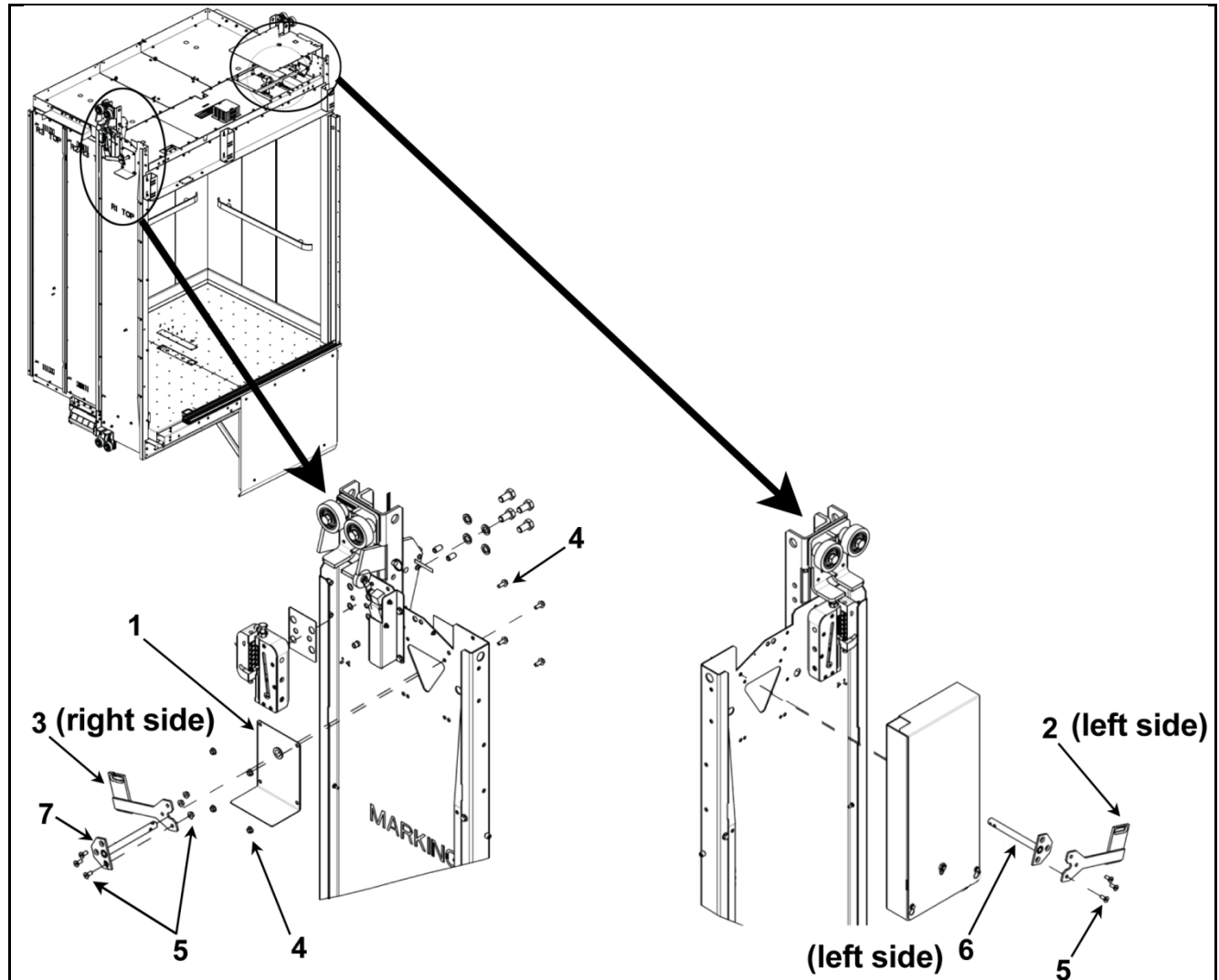
AAA29507C		
Ref. No.	Part No.	DESCRIPTION
1	ABA20780X1 AAA20780Y1 ABA20780Y1	Assembly, Sheave and Housing, 4 Grooves, 43 kN (See SPL 14-AAA20780Y for additional service parts)
2	NON1241M8X20-8.8Z	Bolt, M8X20 (8 required)



AAA29507C		
Ref. No.	Part No.	DESCRIPTION
1	---	Assembly, Safety Kit. See SPL 14-KAA24120AAJ for details
2	AAA29507C420	Kit, Safety Mounting Hardware. Includes 4 M16x30 Bolts and 4 M16 Spring Lockwashers.

14-AAA29507C

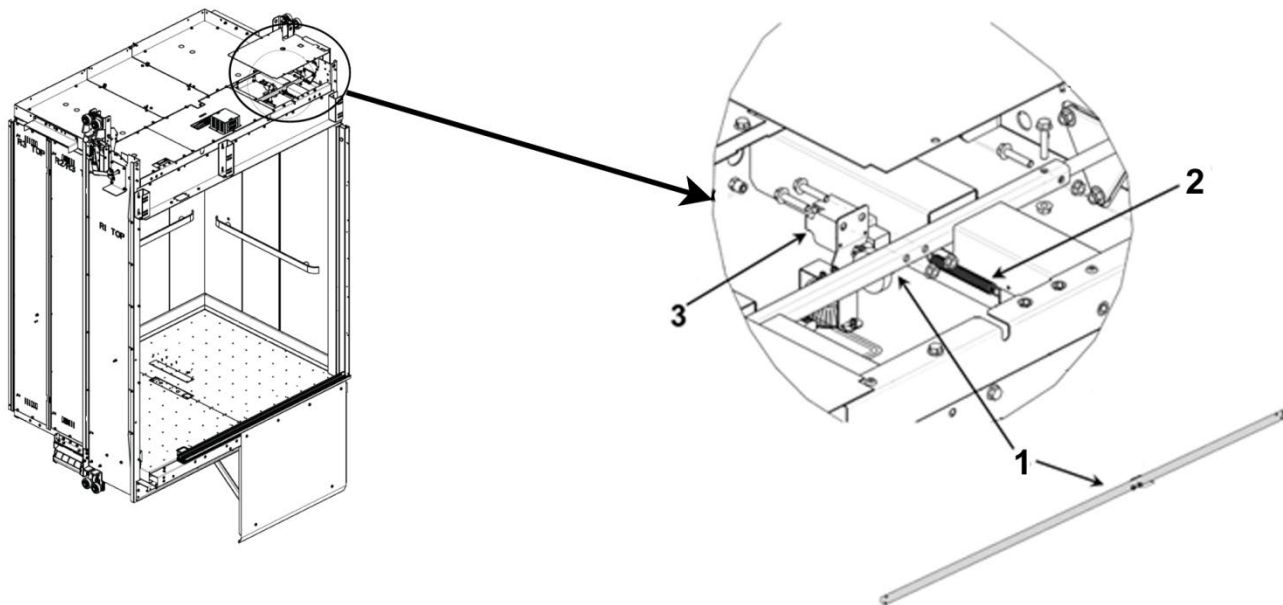
Safety Linkages



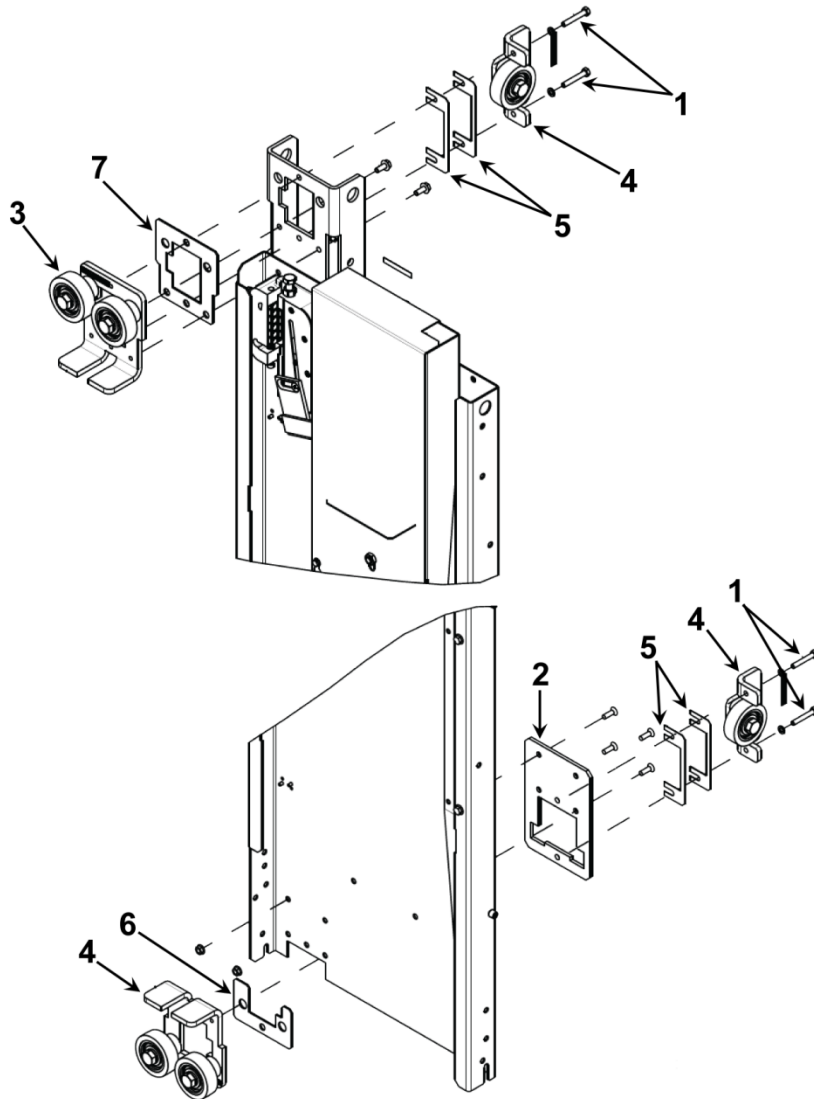
Ref. No.	AAA29507C	DESCRIPTION
	Part No.	
1	AAA283BMT1	Angle, Formed
2	AAA288AED1 ABA288AED1	Arm, Safety Lever, Left Hand
3	AAA288AED2 ABA288AED2	Arm, Safety Lever, Right Hand
4	AAA29507C422	Kit, Hardware, Safety Angle Mounting
5	AAA29507C421	Kit, Hardware, Safety Lever Arm
6	AAA288AEL1 ABA288AEL1 ACA288AEL1	Shaft, Safety Lever, Left Hand
7	AAA288AEL2 ABA288AEL2 ACA288AEL2	Shaft, Safety Lever, Right Hand

Safety Linkages

14-AAA29507C



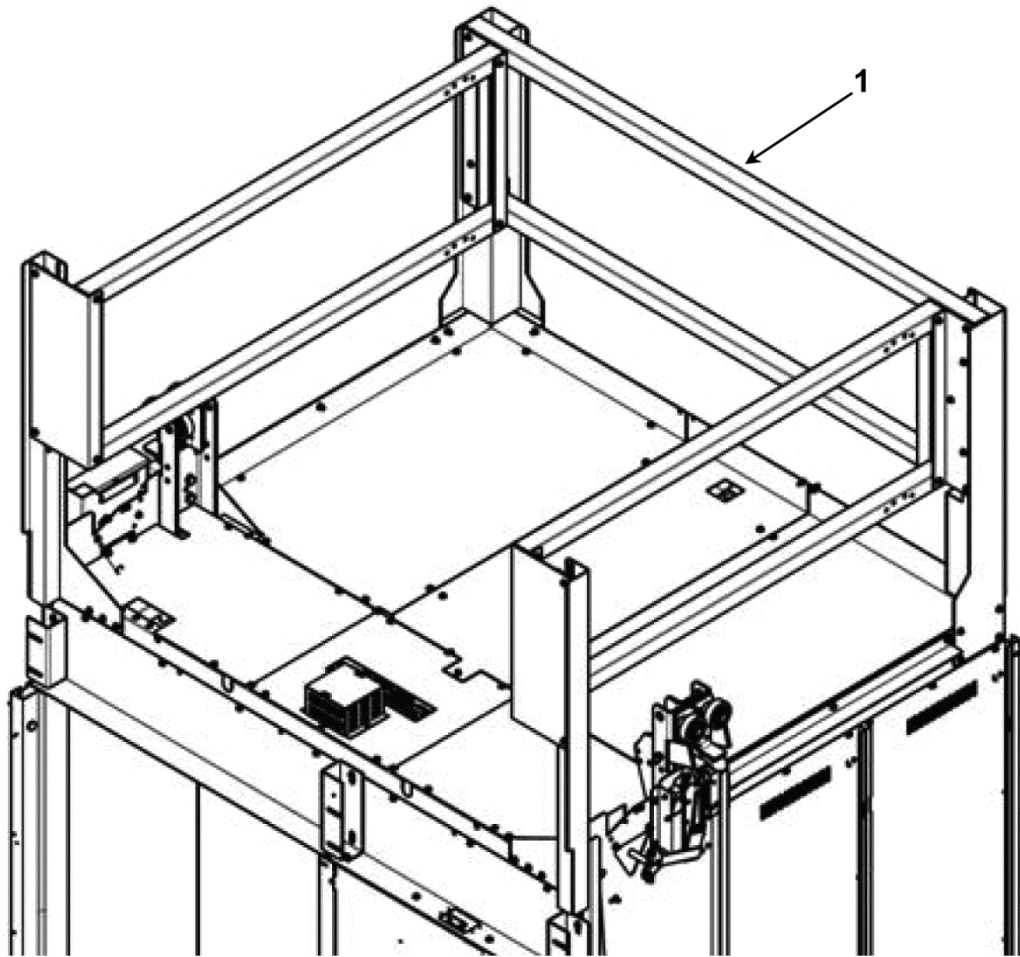
Ref. No.	AAA29507C	
	Part No.	DESCRIPTION
1	AAA377HB1 ABA377HB1	Assembly, Safety Linkage Shaft, 2100 lb. Duty, Length = 1635 mm (64.37 in.)
	AAA377HB2 ABA377HB2	Assembly, Safety Linkage Shaft, 2500, 3000, 3500 lb. Duties, Length = 1870 mm (73.62 in.)
2	AAA91BA1	Spring, Extension
3	AAA22800T3	Switch, SOS



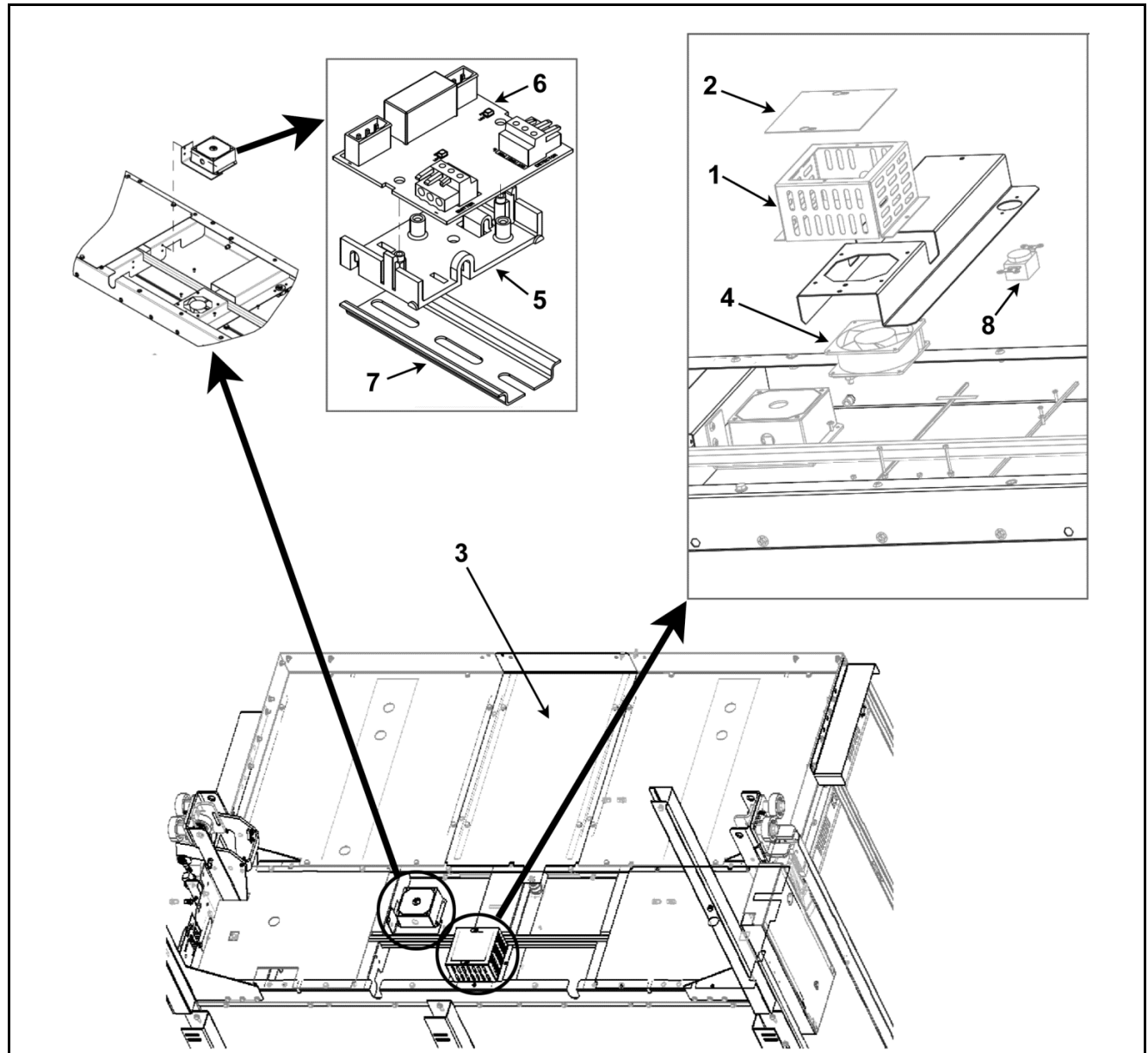
AAA29507C		
Ref. No.	Part No.	DESCRIPTION
1	ISO4017M8X50-8.8Z	Hardware, Post Roller Guide Mounting, Top/Bottom (2 required per post roller guide)
2	AAA386MRE1	Plate, Mounting, Lower Post Roller
3	---	Rollers, Front and Back. See SPL 14-AAA24180AZ.
4	---	Rollers, Post. See SPL 14-AAA24180BA.
5	AAA255PW1	Shim, 1 mm Thick, Post Roller
6	AAA255PX1	Shim, Roller Guide, Bottom
7	AAA255PH1	Shim, Roller Guide, Top

Top-of-Car Handrail

14-AAA29507C



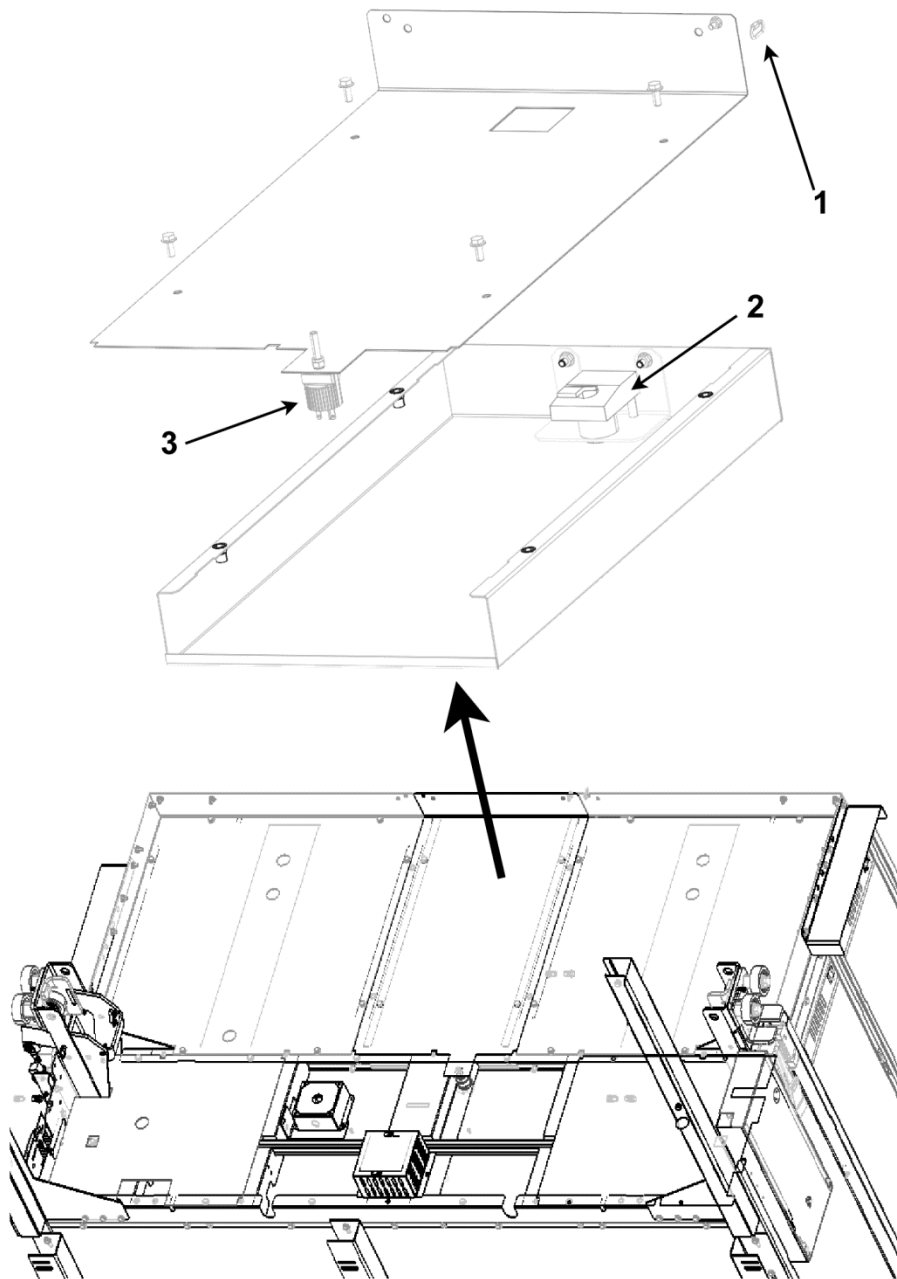
Ref. No.	Part No.	DESCRIPTION
1	AAA29507C	Handrail, Top-of-Car. See SPL 17-AAA25580CA.



AAA29507C		
Ref. No.	Part No.	DESCRIPTION
1	AAA285PD3	Cover, Fan Box
2	AAA285PD4	Cover, Fan Top
3	---	Emergency Exit. See page 12.
4	AAA24720T10	Fan
5	AAA180FE1	Holder, PC Board
6	AAA26800APY1	PC Board, LAMBDA LC
7	401B89	Rail
8	618AD1	Socket, Emergency Exit

Top-of-Car Emergency Exit

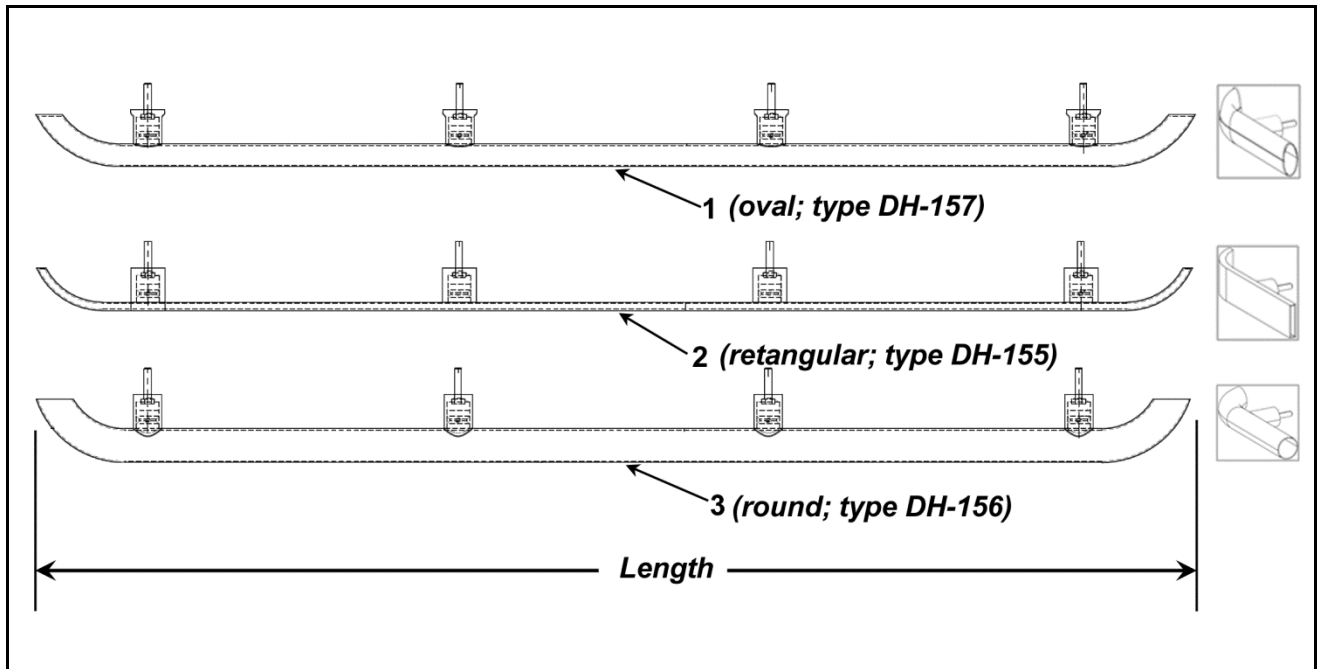
14-AAA29507C



AAA29507C		
Ref. No.	Part No.	DESCRIPTION
1	AAA176HZ1	Connector
2	AAA431AM1	Lock, 5-Pin, with 2 Keys (# 1245)
	AAA431AM2	Lock, 5-Pin, with 2 Keys (# 3502). For Massachusetts Only.
3	AAA648C3	Plug, Emergency Exit

14-AAA29507C

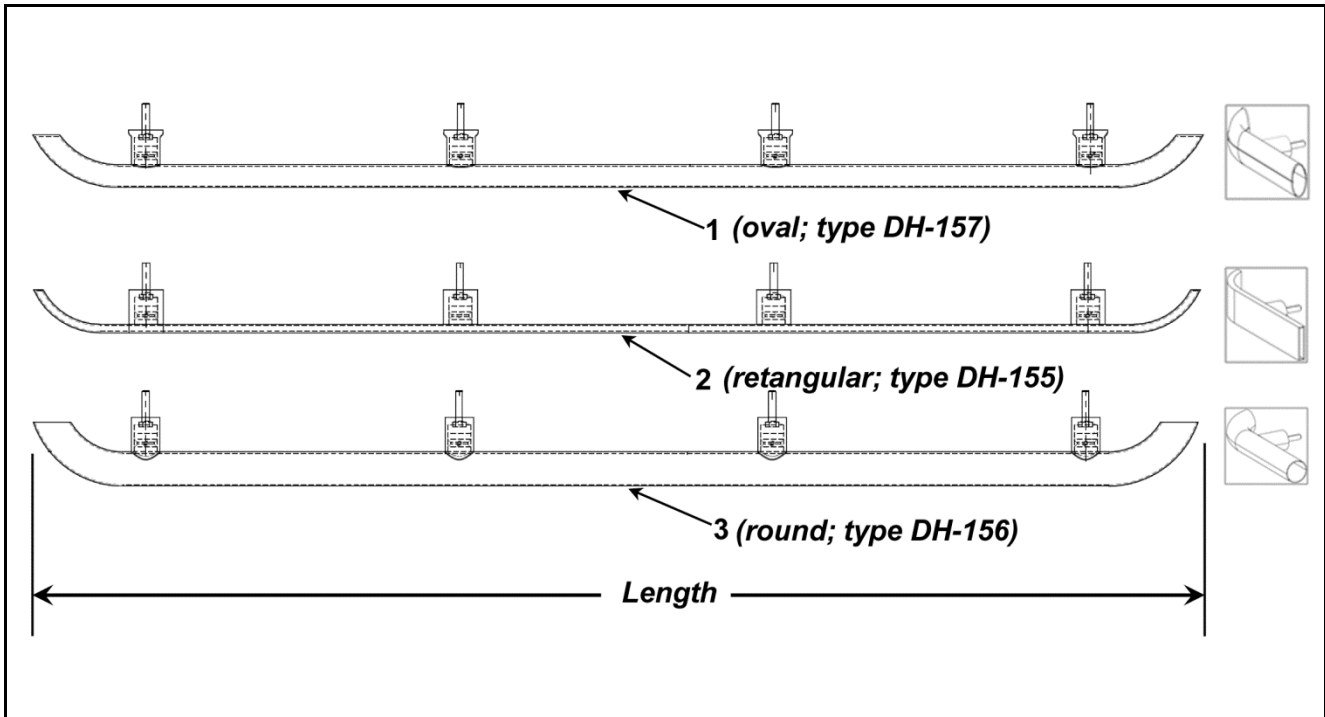
In-Car Handrails, Rear



REF. No.	AAA29507C				
	PART No.	FINISH	DUTIES	LENGTH	HANDRAIL SHAPE
1	AAA139BT1	Brushed Steel	2100	1515 mm (59.65 in.)	Oval, DH-157 25.4 mm x 50.8 mm (1 in. x 2 in.)
	AAA139BT2	Brushed Steel	2500, 3000, 3500	1750 mm (68.9 in.)	
	AAA139BT15	Bronze Tinted	2100	1515 mm (59.65 in.)	
	AAA139BT16	Bronze Tinted	2500, 3000, 3500	1750 mm (68.9 in.)	
2	AAA139BQ1	Brushed Steel	2100	1515 mm (59.65 in.)	Rectangular, DH-155 50.8 mm x 9.5 mm (2 in. x 0.375 in.)
	AAA139BQ2	Brushed Steel	2500, 3000, 3500	1750 mm (68.9 in.)	
	AAA139BQ15	Bronze Tinted	2100	1515 mm (59.65 in.)	
	AAA139BQ16	Bronze Tinted	2500, 3000, 3500	1750 mm (68.9 in.)	
3	AAA139BS1	Brushed Steel	2100	1515 mm (59.65 in.)	Round, DH-156 38.1 mm (1.5 in.) Diameter
	AAA139BS2	Brushed Steel	2500, 3000, 3500	1750 mm (68.9 in.)	
	AAA139BS15	Bronze Tinted	2100	1515 mm (59.65 in.)	
	AAA139BS16	Bronze Tinted	2500, 3000, 3500	1750 mm (68.9 in.)	

In-Car Handrails, Side

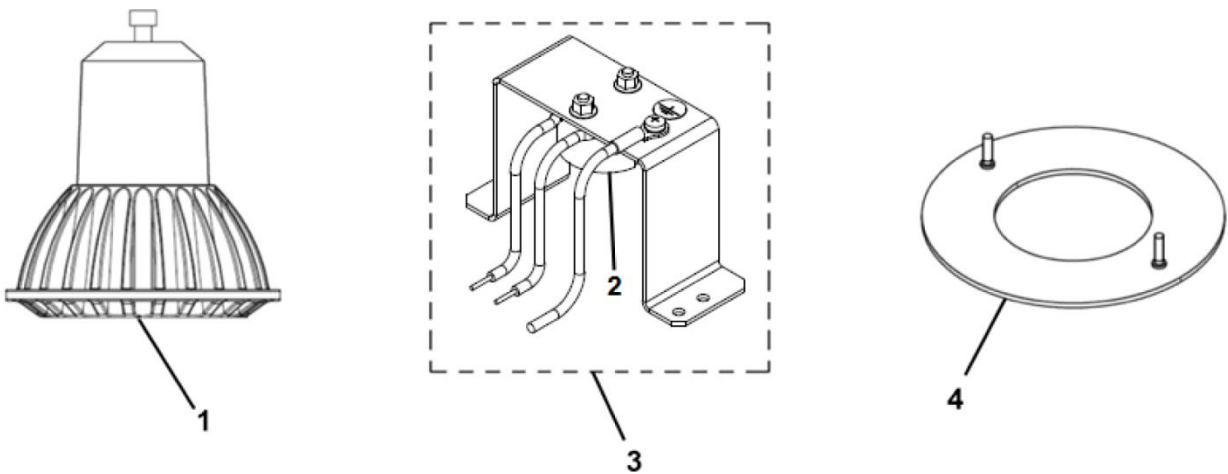
14-AAA29507C



REF. No.	AAA29507C				
	PART No.	FINISH	DUTIES	LENGTH	HANDRAIL SHAPE
1	AAA139BT3	Brushed Steel	2100, 2500	1074 mm (42.28 in.)	Oval. DH-157 25.4 mm x 50.8 mm (1 in. x 2 in.)
	AAA139BT4	Brushed Steel	3000	1293 mm (50.9 in.)	
	AAA139BT5	Brushed Steel	3500	1430 mm (56.3 in.)	
	AAA139BT17	Bronze Tinted	2100, 2500	1074 mm (42.28 in.)	
	AAA139BT18	Bronze Tinted	3000	1293 mm (50.9 in.)	
	AAA139BT19	Bronze Tinted	3500	1430 mm (56.3 in.)	
2	AAA139BQ3	Brushed Steel	2100, 2500	1074 mm (42.28 in.)	Rectangular. DH-155 50.8 mm x 9.5 mm (2 in. x 0.375 in.)
	AAA139BQ4	Brushed Steel	3000	1293 mm (50.9 in.)	
	AAA139BQ5	Brushed Steel	3500	1430 mm (56.3 in.)	
	AAA139BQ17	Bronze Tinted	2100, 2500	1074 mm (42.28 in.)	
	AAA139BQ18	Bronze Tinted	3000	1293 mm (50.9 in.)	
	AAA139BQ19	Bronze Tinted	3500	1430 mm (56.3 in.)	
3	AAA139BS3	Brushed Steel	2100, 2500	1074 mm (42.28 in.)	Round. DH-156 38.1 mm Diameter (1.5 in.)
	AAA139BS4	Brushed Steel	3000	1293 mm (50.9 in.)	
	AAA139BS5	Brushed Steel	3500	1430 mm (56.3 in.)	
	AAA139BS17	Bronze Tinted	2100, 2500	1074 mm (42.28 in.)	
	AAA139BS18	Bronze Tinted	3000	1293 mm (50.9 in.)	
	AAA139BS19	Bronze Tinted	3500	1430 mm (56.3 in.)	

14-AAA29507C

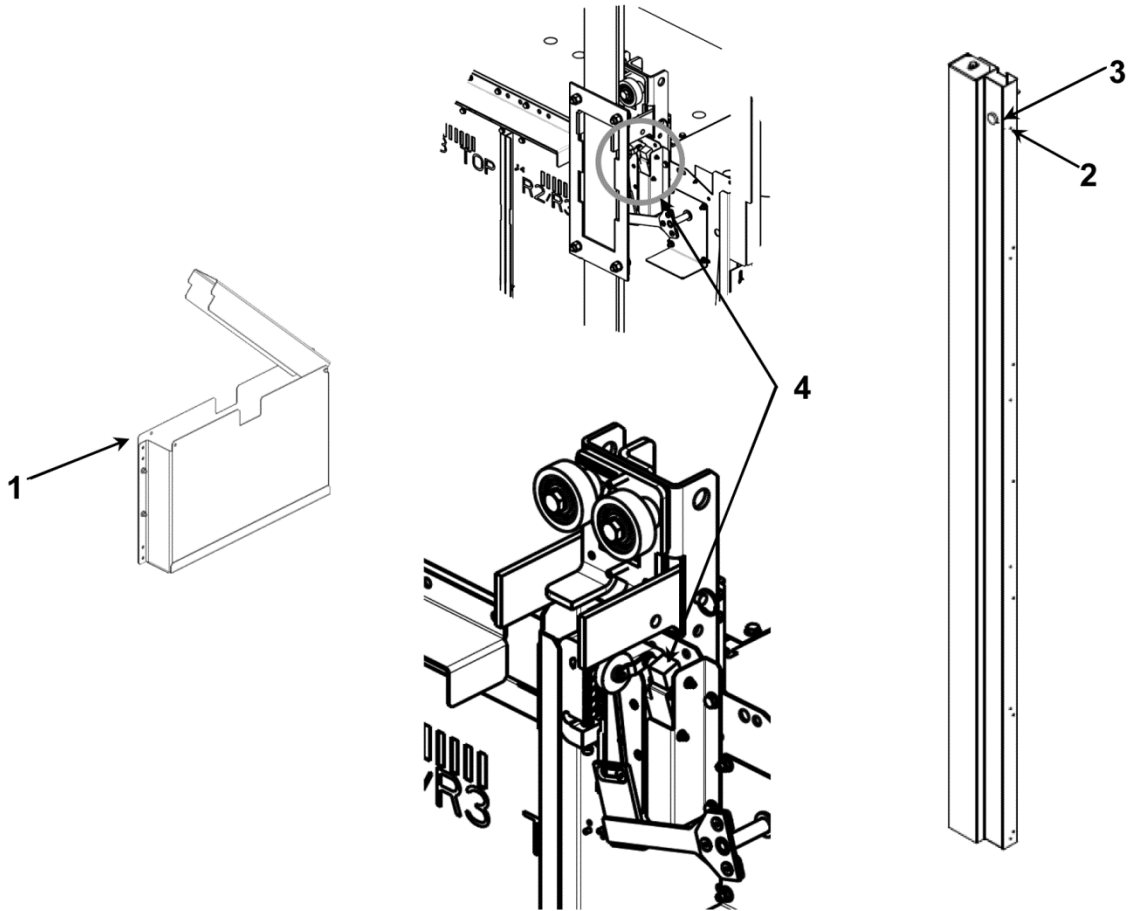
Drop Ceiling Light Bulb, Light Socket, and Trim Ring



VINTAGE		
AAA29507C		
Ref. No.	Part No.	DESCRIPTION
1	AAA417CX1	Bulb, LED
2	AAA618BD5	Socket, Light
3	AAA458K1 AAA458K2	Socket, Light, with Frame
4	AAA458H2	Trim Ring

Miscellaneous Spare Parts

14-AAA29507C



AAA29507C		
Ref. No.	Part No.	DESCRIPTION
1	AAA308ABY1	Box. For wiring diagram. Located on top-of-car handrail.
2	ISO1234-2x40Z	Pin, Cotter, 2 mm Dia., 40 mm Long
3	320CV2	Strike Bumper
4	AAA22800T3	Switch, Blocking