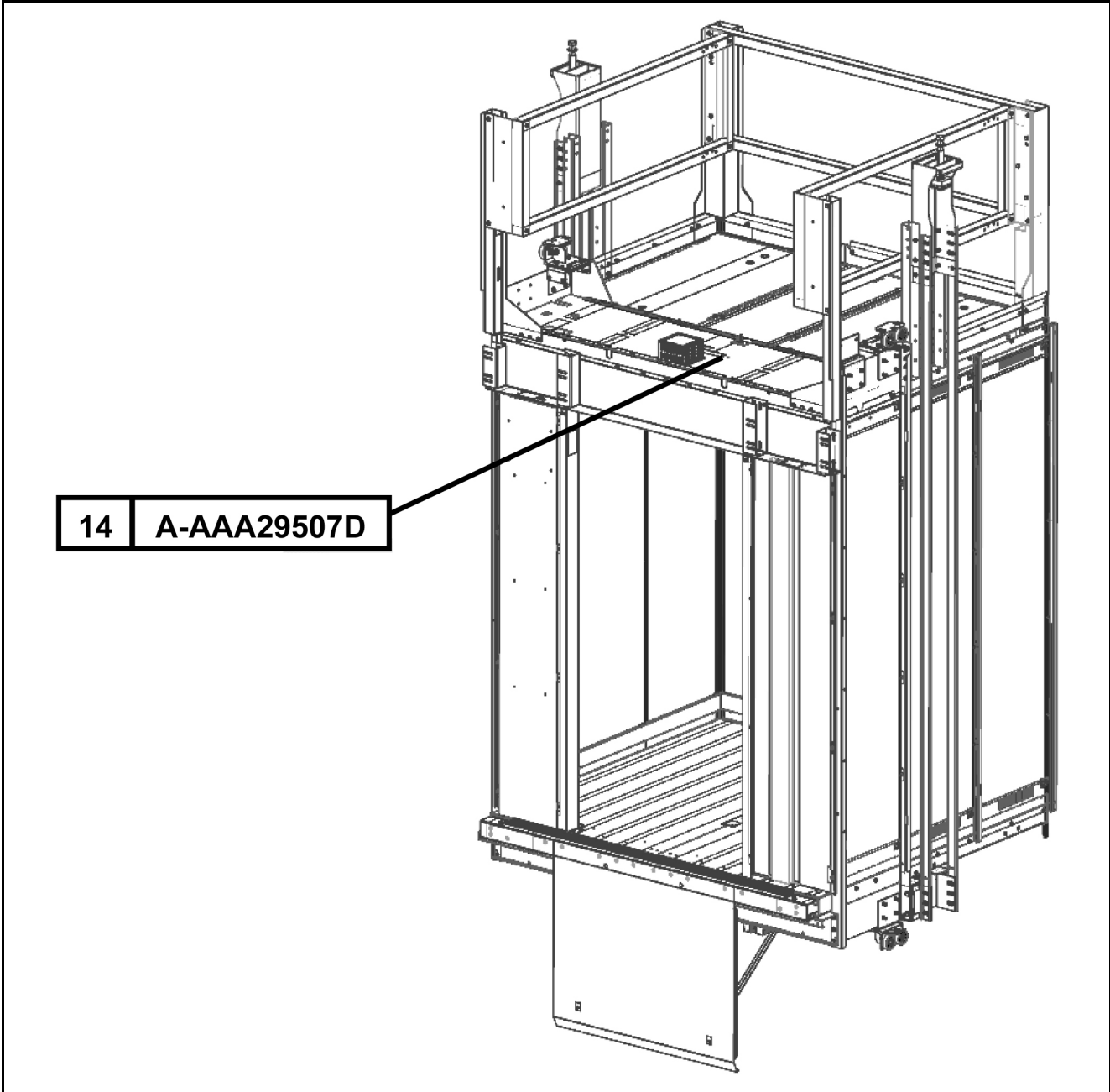


**HydroFit® Carframe
(2100–3500 lb. Duties)**

Spare Parts Leaflet

14-AAA29507D

September 2, 2015 / Page 1 of 12



OTIS

**SERVICE ENGINEERING
Otis Elevator Company
Bloomfield, Connecticut USA**

Unpublished Work—© Otis Elevator Co.; 2015

Leaflet Description

This leaflet provides spare parts information for the carframe used on the HydroFit 2100 to 3500 lb. duties.

Leaflet Revisions

Date Revised	Subject Matter Expert	Reason for Revision
September 11, 2013	Rich Blakelock	New SPL
September 2, 2015	Kyle Pereira	Updated p. 11

Related Drawings

Drawing No.	Title	Drawing No.	Title
AAA29507D	Carframe Assembly		

Related Documents

Document ID	Title
SPL 14-AAA24180AW	Roller Guides
SPL 17-AAA25580CA	Top of Car Handrail
AAA29503B_TDS	Cab Technical Data Sheet
AAA29507D_TDS	Carframe Technical Data Sheet

Subject Matter Expert

Name	Department
Troy Chiccoine	OSC Service Engineering

About Spare Parts Leaflets...

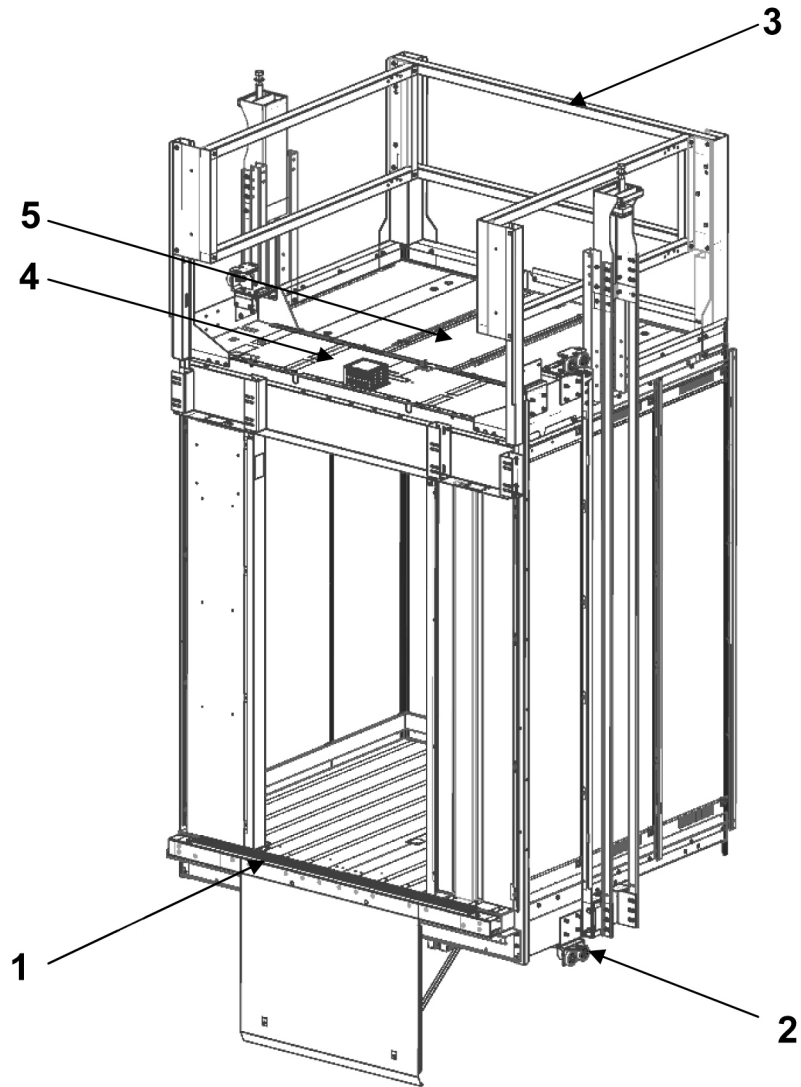
This document lists the lowest replaceable units (LRUs) for the standard version of the product. The LRUs are chosen by a team of Otis associates representing engineering and manufacturing.

While goal of this document is to make parts identification as easy as possible, the document cannot be all-inclusive. Elevator and escalator contracts classified as "special" or "custom" are not addressed here. For such contracts, please refer to specified information, the contract folder, TIPs, Field Education Articles, Construction Letters, etc. for further information.

If you have any suggestions about this document, please contact the subject matter expert listed on this page.

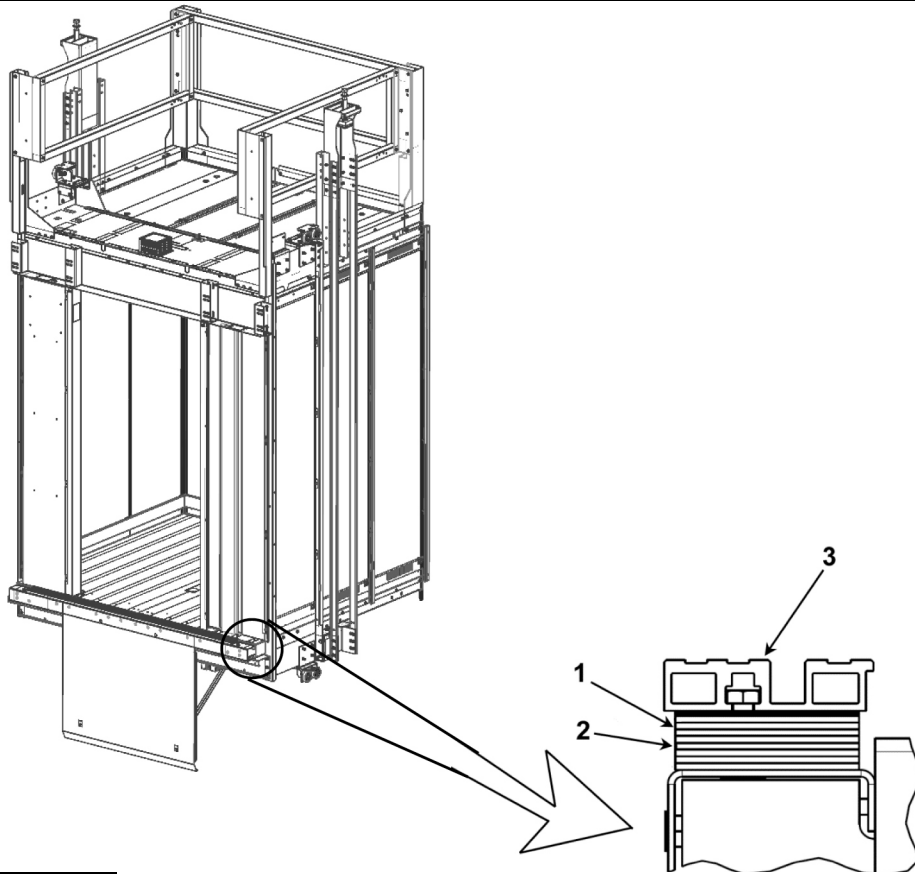
Table of Contents

14-AAA29507D



REF. No.	PAGE No.	DESCRIPTION
1	4	Threshold and Shim
2	5	Roller Guides
3	6	Top-of-Car Handrail
4*	7	Crosshead Electrical Components
5	8	Top-of-Car Emergency Exit
---	9	Handrails, In-Car (not shown)
---	11	Drop Ceiling (Light Bulb, Light Socket, and Ring) (not shown)
---	12	Miscellaneous Spare Parts (not shown)

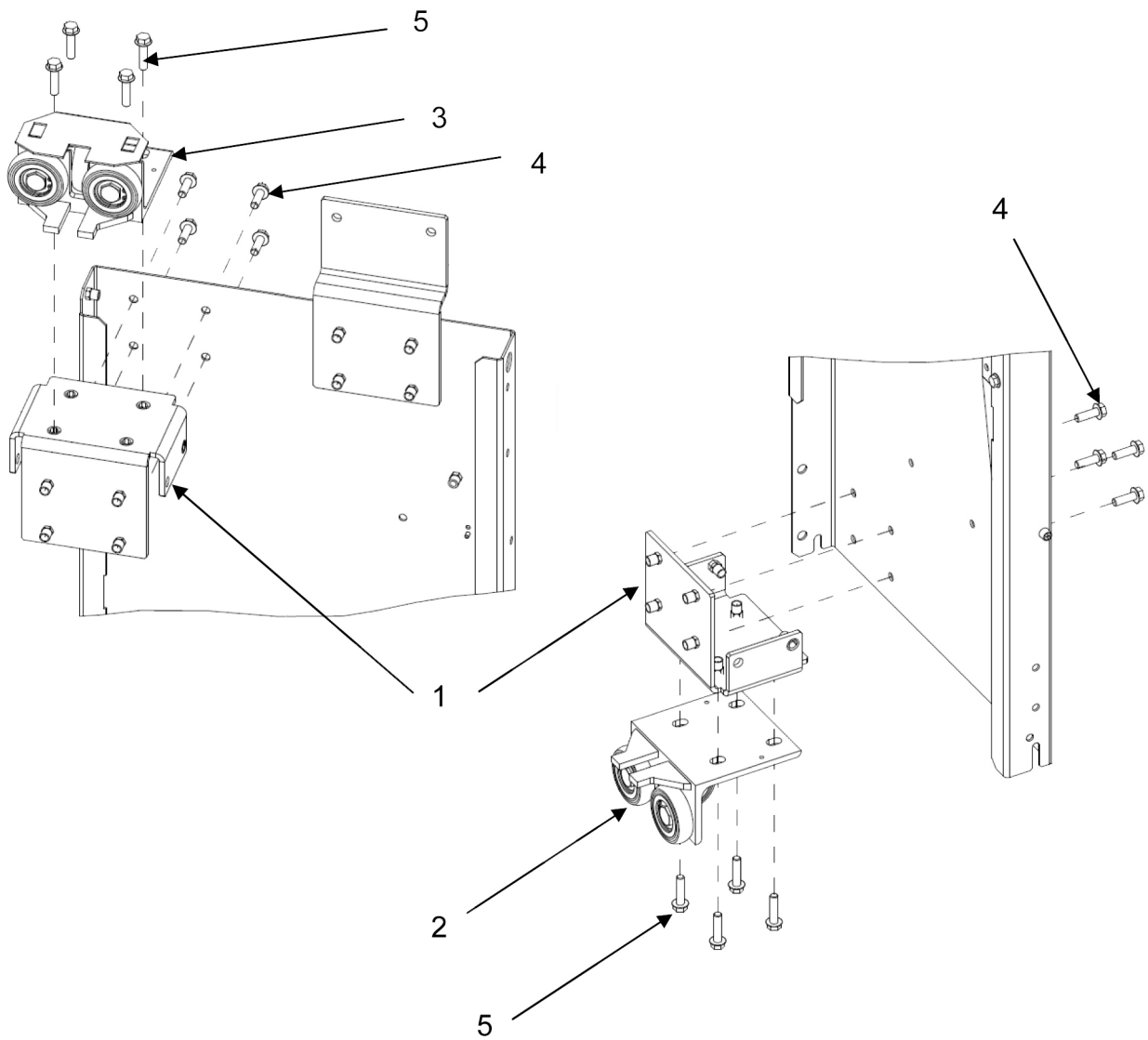
*Location only; actual parts not shown.



REF. No.	AAA29507D					
	PART No.	DESCRIPTION	THICKNESS	OPENING TYPE	OPENING WIDTH	LENGTH
1	AAA255PG5	Shim, 12 GA	2.75 mm (0.11 in.)	Center-Opening	42 in. (1066,8 mm)	1658 mm (65.28 in.)
	AAA255PG3	Shim, 12 GA	2.75 mm (0.11 in.)	Single-Slide	36 in. (914,4 in.)	1423.4 mm (56.04 in.)
	AAA255PG1	Shim, 12 GA	2.75 mm (0.11 in.)	Single-Slide	42 in. (1066,8 mm)	1658 mm (65.28 in.)
2	AAA255PG6	Shim, 20 GA	1.0 mm (0.04 in.)	Center-Opening	42 in. (1066,8 mm)	1658 mm (65.28 in.)
	AAA255PG4	Shim, 20 GA	1.0 mm (0.04 in.)	Single-Slide	36 in. (914,4 in.)	1423.4 mm (56.04 in.)
	AAA255PG2	Shim, 20 GA	1.0 mm (0.04 in.)	Single-Slide	42 in. (1066,8 mm)	1658 mm (65.28 in.)
3	AAA280BJ1	Threshold	Aluminum	Center-Opening	42 in. (1066,8 mm)	1710.5 mm (67.34 in.)
	AAA280BJ5	Threshold	Aluminum	Single-Slide	36 in. (914,4 in.)	1511 mm (59.5 in.)
	AAA280BJ8	Threshold	Aluminum	Single-Slide	42 in. (1066,8 mm)	1740.5 mm (68.52 in.)
	AAA280BJ20	Shape, Threshold, No Holes/Slots	Aluminum	Center-Opening or Single-Slide	N/A	1740.5 mm (68.52 in.)

Roller Guides

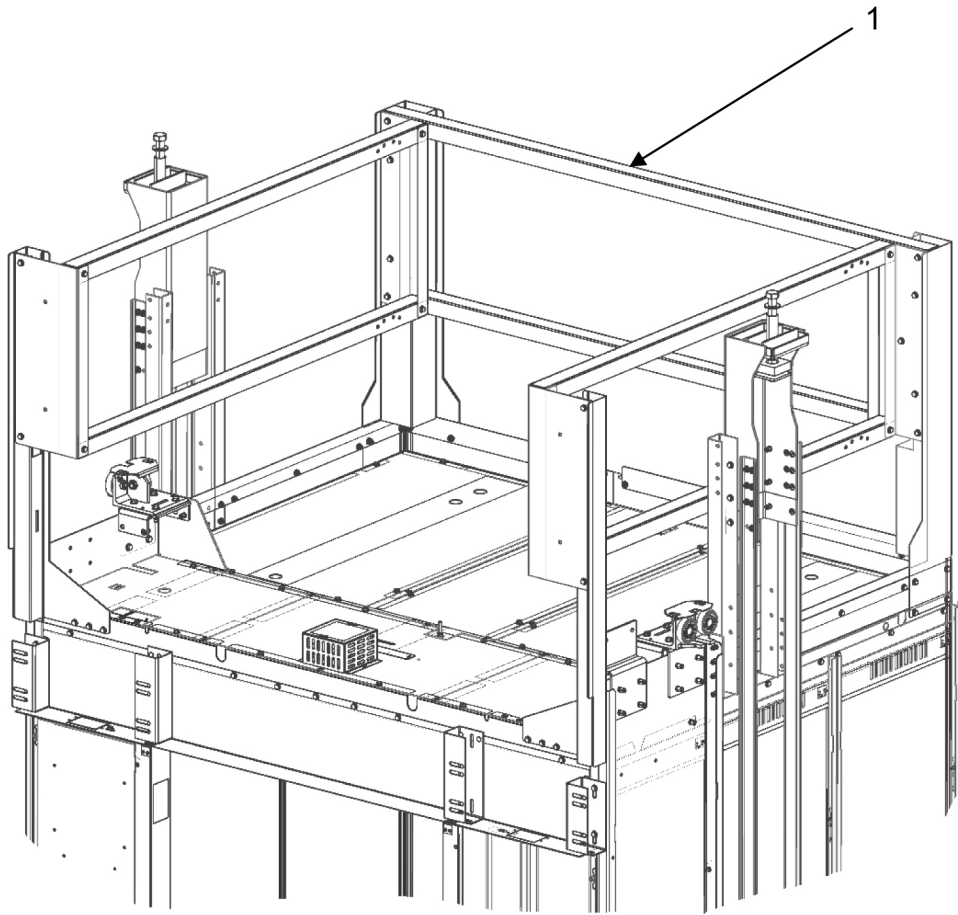
14-AAA29507D



AAA29507D		
REF. No.	PART No.	DESCRIPTION
1	AAAAAA316JCR1	Bracket, Roller Guide Mounting
2	AAA24180AW10	Roller Guide, Bottom, For parts information see SPL 14-AAA24180AW.
3	AAA24180AW9	Roller Guide, Top, For parts information see SPL 14-AAA24180AW.
4	N0N1241M10X30-8.8Z	Screw, Hex Head, M10 x 30 mm long
5	N0N1241M10X40-8.8Z	Screw, Hex Head, M10 x 40 mm long

14-AAA29507D

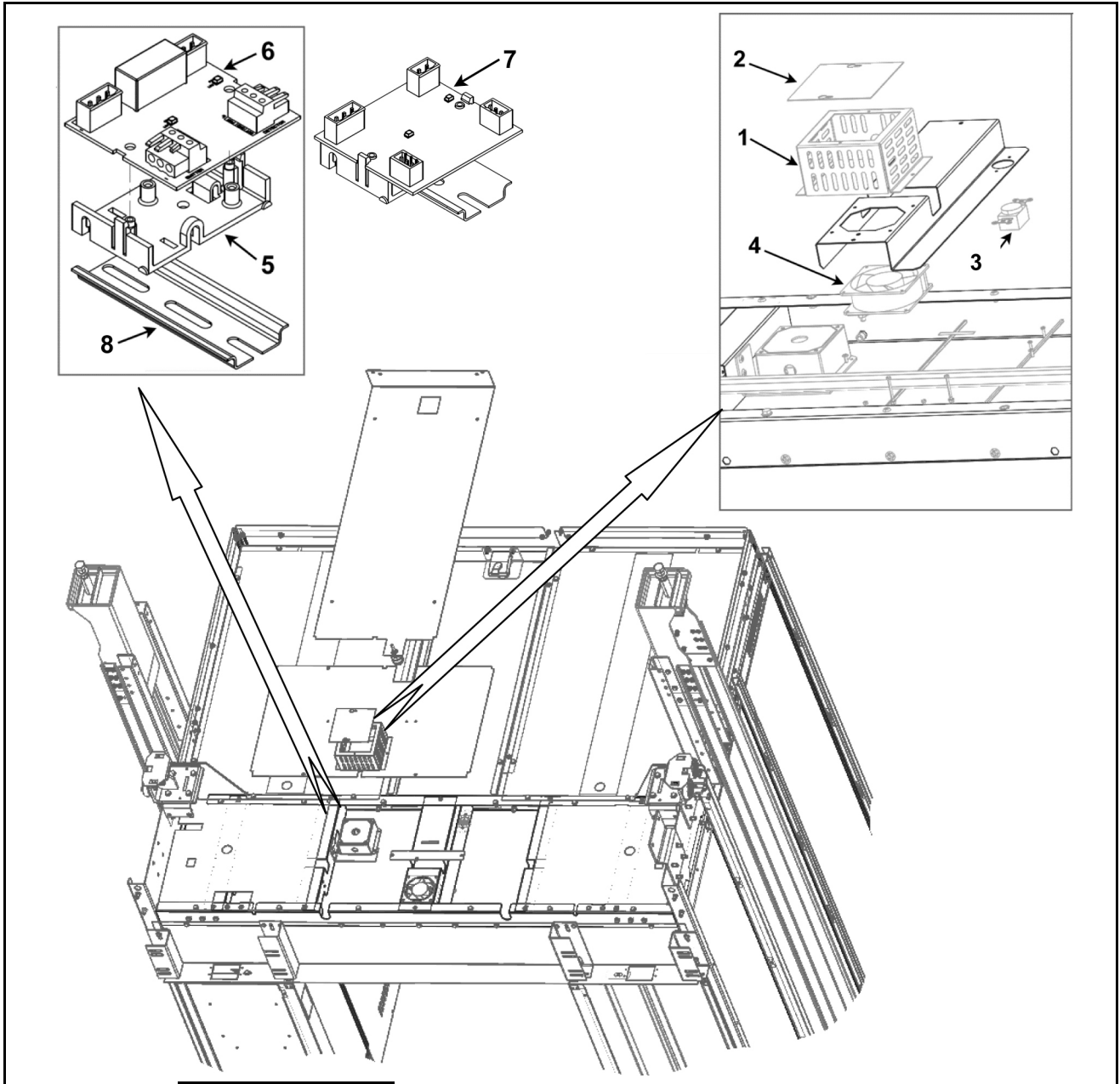
Top-of-Car Handrail



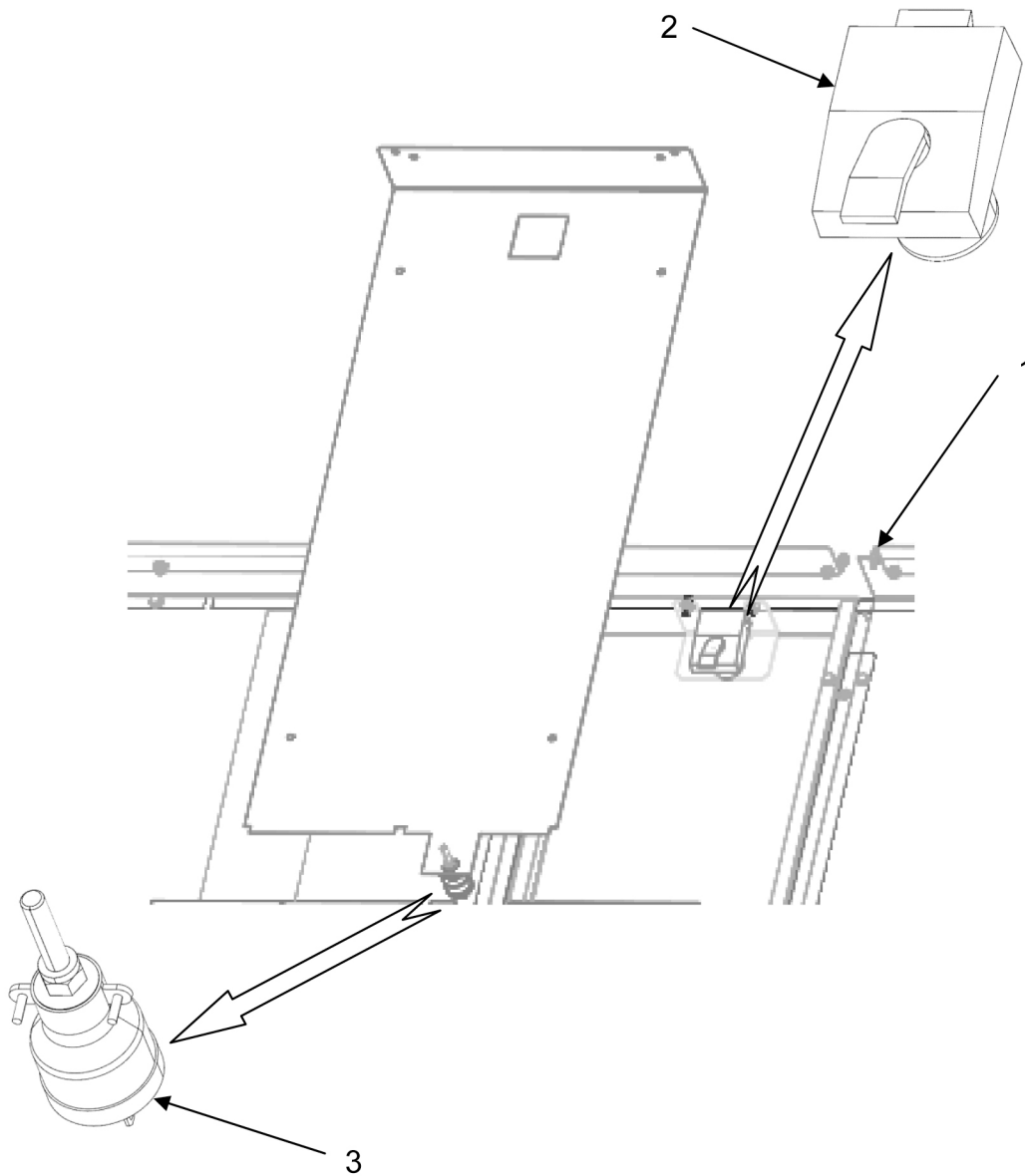
REF. No.	PART No.	DESCRIPTION
1	---	Handrail, Top-of-Car. See SPL 17-AAA25580CA.

Crosshead Electrical Components

14-AAA29507D



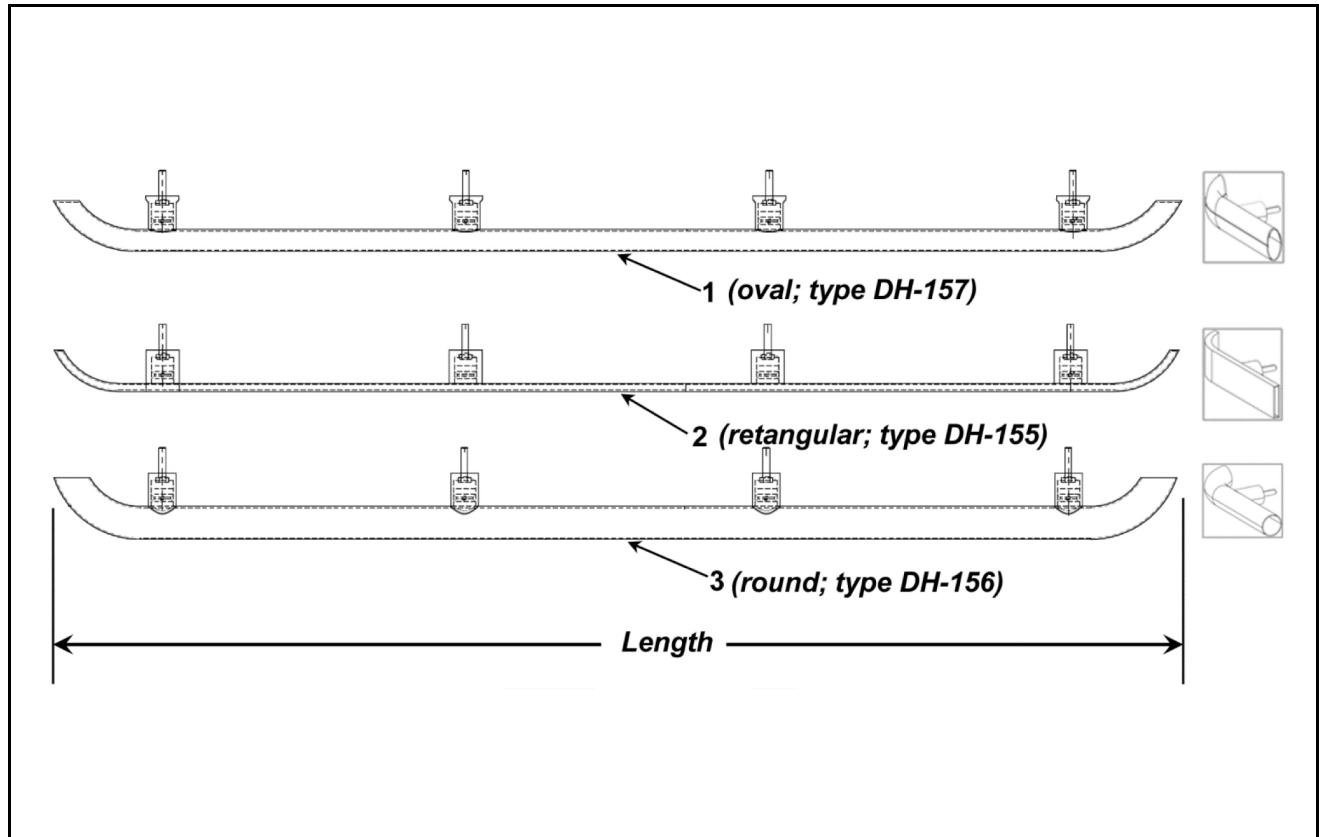
AAA29507D		
REF. No.	PART No.	DESCRIPTION
1	AAA285PD3	Cover, Fan Box
2	AAA285PD4	Cover, Fan Top
3	AAA648C9	Electrical Outlet, Emergency Exit
4	AAA24720T10	Fan
5	AAA180FE1	Holder, PC Board
6	AAA26800APY1	PC Board, LAMBDA LC
7	AAA24591AM117	PC Board, OPTIGUARD™
8	401B89	Rail



AAA29507D		
REF. No.	PART No.	DESCRIPTION
1	AAA176HZ1	Connector
2	AAA431AM1	Lock, 5-Pin, with 2 Keys (# 1245)
	AAA431AM2	Lock, 5-Pin, with 2 Keys (# 3502). For Massachusetts Only.
3	AAA648C3	Plug, Emergency Exit

In-Car Handrails, Rear

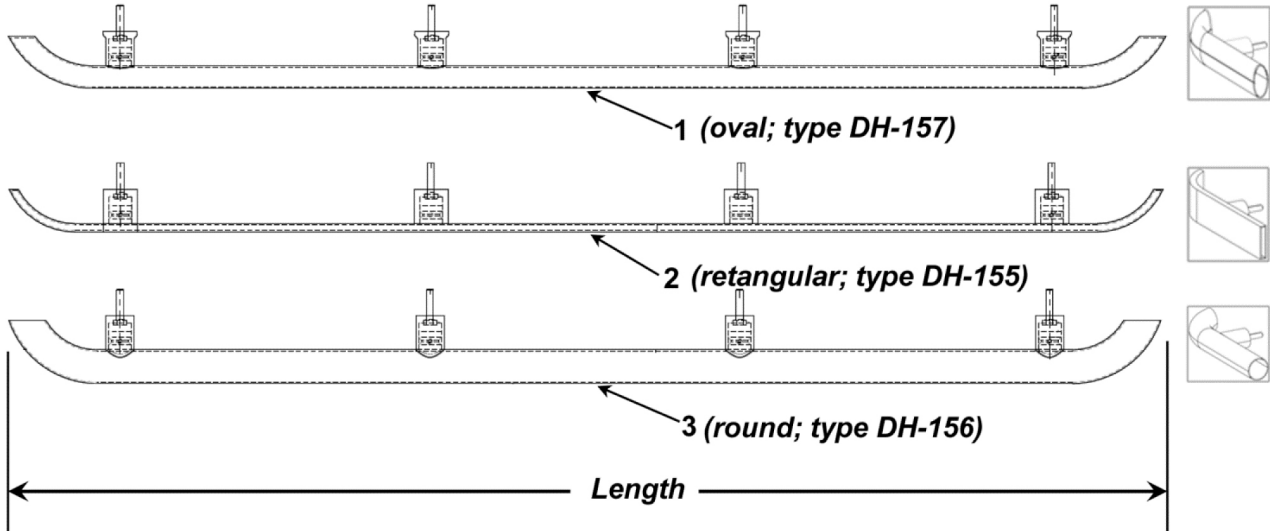
14-AAA29507D



REF. No.	AAA29507D				
	PART No.	FINISH	DUTIES	LENGTH	HANDRAIL SHAPE
1	AAA139BT1	Brushed Steel	2100	1515 mm (59.65 in.)	Oval, DH-157 25.4 mm x 50.8 mm (1 in. x 2 in.)
	AAA139BT2	Brushed Steel	2500, 3000, 3500	1750 mm (68.9 in.)	
2	AAA139BQ1	Brushed Steel	2100	1515 mm (59.65 in.)	Rectangular, DH-155 50.8 mm x 9.5 mm (2 in. x 0.375 in.)
	AAA139BQ2	Brushed Steel	2500, 3000, 3500	1750 mm (68.9 in.)	
	AAA139BQ15	Bronze Tinted	2100	1515 mm (59.65 in.)	
	AAA139BQ16	Bronze Tinted	2500, 3000, 3500	1750 mm (68.9 in.)	
3	AAA139BS1	Brushed Steel	2100	1515 mm (59.65 in.)	Round, DH-156 38.1 mm (1.5 in.) Diameter
	AAA139BS2	Brushed Steel	2500, 3000, 3500	1750 mm (68.9 in.)	
	AAA139BS15	Bronze Tinted	2100	1515 mm (59.65 in.)	
	AAA139BS16	Bronze Tinted	2500, 3000, 3500	1750 mm (68.9 in.)	

14-AAA29507D

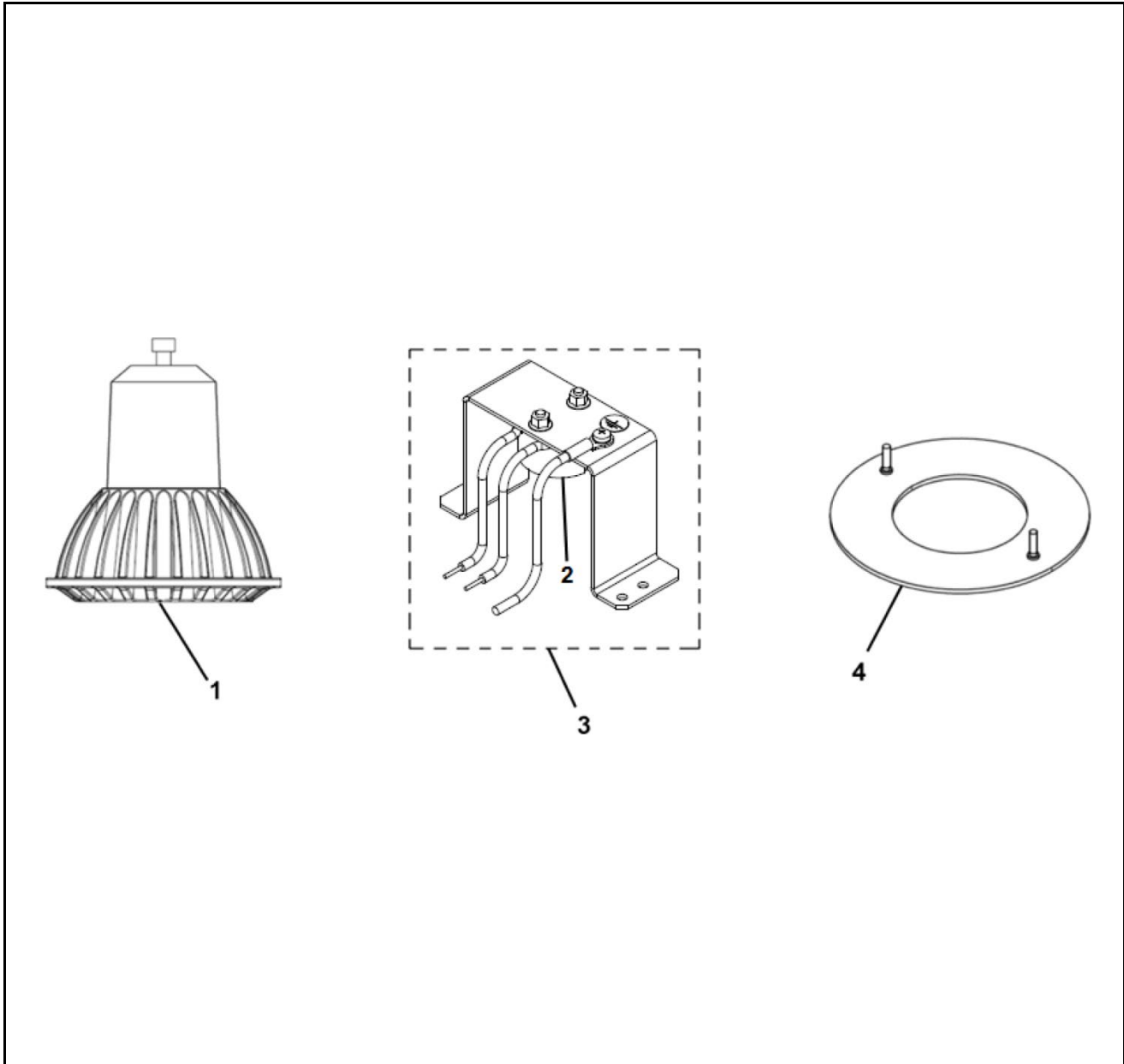
In-Car Handrails, Side



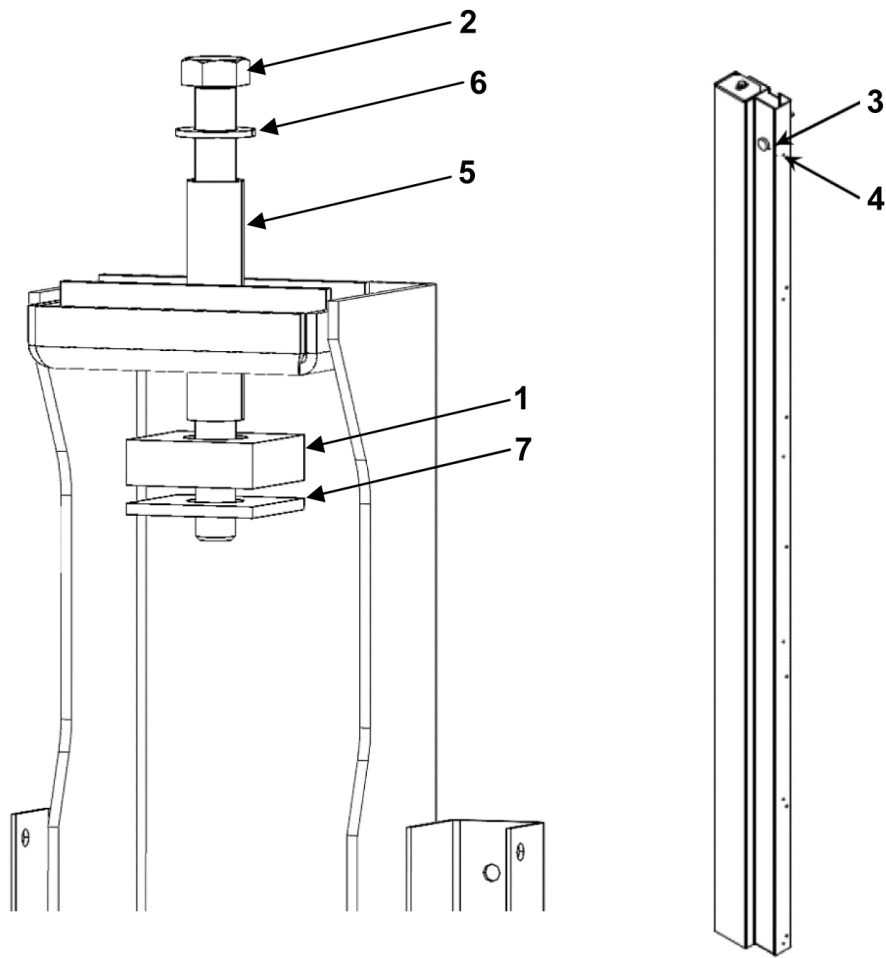
REF. No.	AAA29507D				
	PART No.	FINISH	DUTIES	LENGTH	HANDRAIL SHAPE
1	AAA139BT3	Brushed Steel	2100, 2500	1074 mm (42.28 in.)	Oval, DH-157 25.4 mm x 50.8 mm (1 in. x 2 in.)
	AAA139BT4	Brushed Steel	3000	1293 mm (50.9 in.)	
	AAA139BT5	Brushed Steel	3500	1430 mm (56.3 in.)	
2	AAA139BQ3	Brushed Steel	2100, 2500	1074 mm (42.28 in.)	Rectangular, DH-155 50.8 mm x 9.5 mm (2 in. x 0.375 in.)
	AAA139BQ4	Brushed Steel	3000	1293 mm (50.9 in.)	
	AAA139BQ5	Brushed Steel	3500	1430 mm (56.3 in.)	
	AAA139BQ17	Bronze Tinted	2100, 2500	1074 mm (42.28 in.)	
	AAA139BQ18	Bronze Tinted	3000	1293 mm (50.9 in.)	
	AAA139BQ19	Bronze Tinted	3500	1430 mm (56.3 in.)	
3	AAA139BS3	Brushed Steel	2100, 2500	1074 mm (42.28 in.)	Round, DH-156 38.1 mm (1.5 in.) Diameter
	AAA139BS4	Brushed Steel	3000	1293 mm (50.9 in.)	
	AAA139BS5	Brushed Steel	3500	1430 mm (56.3 in.)	
	AAA139BS17	Bronze Tinted	2100, 2500	1074 mm (42.28 in.)	
	AAA139BS18	Bronze Tinted	3000	1293 mm (50.9 in.)	
	AAA139BS19	Bronze Tinted	3500	1430 mm (56.3 in.)	

Drop Ceiling Light Bulb, Light Socket, and Trim Ring

14-AAA29507D



AAA29507D		
REF. No.	PART No.	DESCRIPTION
1	AAA417CX1	Bulb, LED
2	AAA618BD5	Socket, Light
3	AAA458K1 AAA458K2	Socket, Light, with Frame
4	AAA458H2	Trim Ring



AAA29507D		
REF. No.	PART No.	DESCRIPTION
1	310JJ6	Block, Isolation
2	BTFH 7/8X10ZP	Bolt, Hex Head, 7/8 x 10 in. Long (22.2 x 254 mm) , 2-Stage Telescopic
	BTFH 3/4X3-1/2ZP	Bolt, Hex Head, 3/4 x 3-1/2 in. Long (19 x 89 mm) , Single-Stage Holeless
3	320CV2	Bumper, Strike
4	ISO1234-2x40Z	Pin, Cotter, 0.08 in. (2 mm) Dia., 1.57 in (40 mm) Long
5	377CH53	Pipe, 1.25 in. (31.8 mm) O.D., 11.8 in. (300 mm) Long, 2-Stage Telescopic
	377CH50	Pipe, .75 in. (19 mm) O.D., 2.5 in. (63.5 mm) Long, Single-Stage Holeless
6	WSR SAE7/8ZP	Washer, 7/8 in. (22.2 mm) Flat, 2-Stage Telescopic
	WSR SAE3/4ZP	Washer, 3/4 in. (19 mm) Flat, Single-Stage Holeless
7	127XA47	Washer, Steel