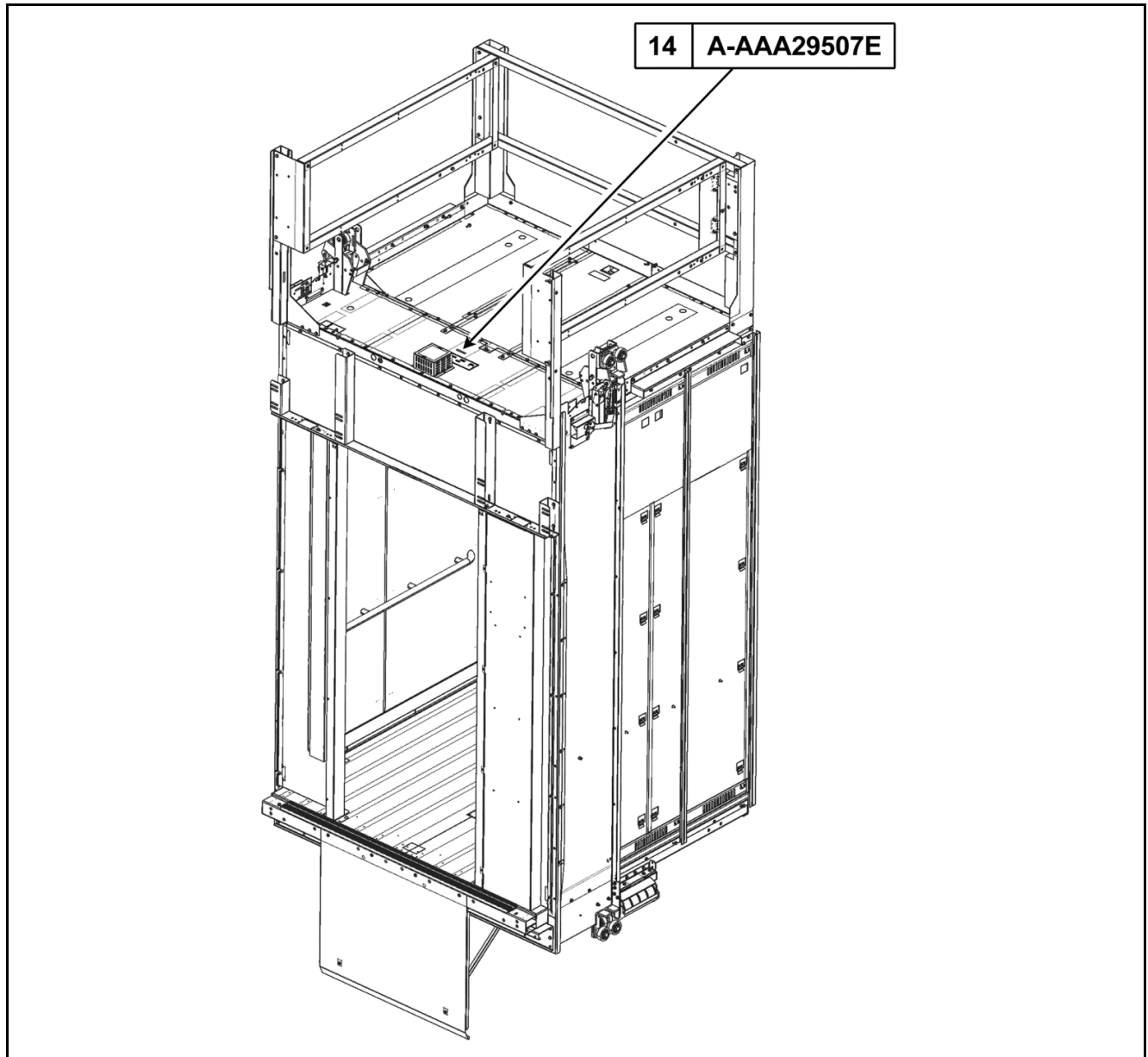


**Gen2® Underslung
(150/200/350)
Carframe
(2100–4000 lb. Duties)**

Spare Parts Leaflet

14-AAA29507E

September 2, 2015 / Page 1 of 18



OTIS

**SERVICE ENGINEERING
Otis Elevator Company
Bloomfield, Connecticut USA**

Unpublished Work—© Otis Elevator Co.; 2015

Leaflet Description

This spare parts leaflet covers the car frame spare parts used on the Gen2 150/200/350 (also known as the Gen2 Underslung or G2S), 2100–4000 lb. duties.

Leaflet Revisions

Date Revised	Subject Matter Expert	Reason for Revision
August 14, 2013	Richard Blakelock	New SPL
January 8, 2014	Kyle Pereira	Callouts Revised
July 30, 2014	Kyle Pereira	Updated p. 6
September 2, 2015	Kyle Pereira	Updated p. 17

Related Drawings

Drawing No.	Title	Drawing No.	Title
AAA29507E_TDS	Gen2 150 Car Technical Data Sheets	AAA29503B_TDS	Gen2 150 Cab TDS

Related Documents

Document ID	Title	Document ID	Title
SPL 14-AAA24180AZ	Roller Guides	SPL 14-AAA20780Y	Integrated Sheave Kit
SPL 14-AAA24180BA	Roller Guides	SPL 14-KAA24120AAJ	P45A Progressive Safety - ASME A17.1 Applications
SPL 14-AAA24180BE	Roller Guides	SPL 14-AAA24180BC	Roller Guides
SPL 15-TAA20641J	Governor	SPL 17-AAA25580CA	Top-of-Car Handrail
SPL 15-TAA20641H	Governor		

Subject Matter Expert

Name	Department
Kyle Pereira	OSC Service Engineering

About Spare Parts Leaflets...

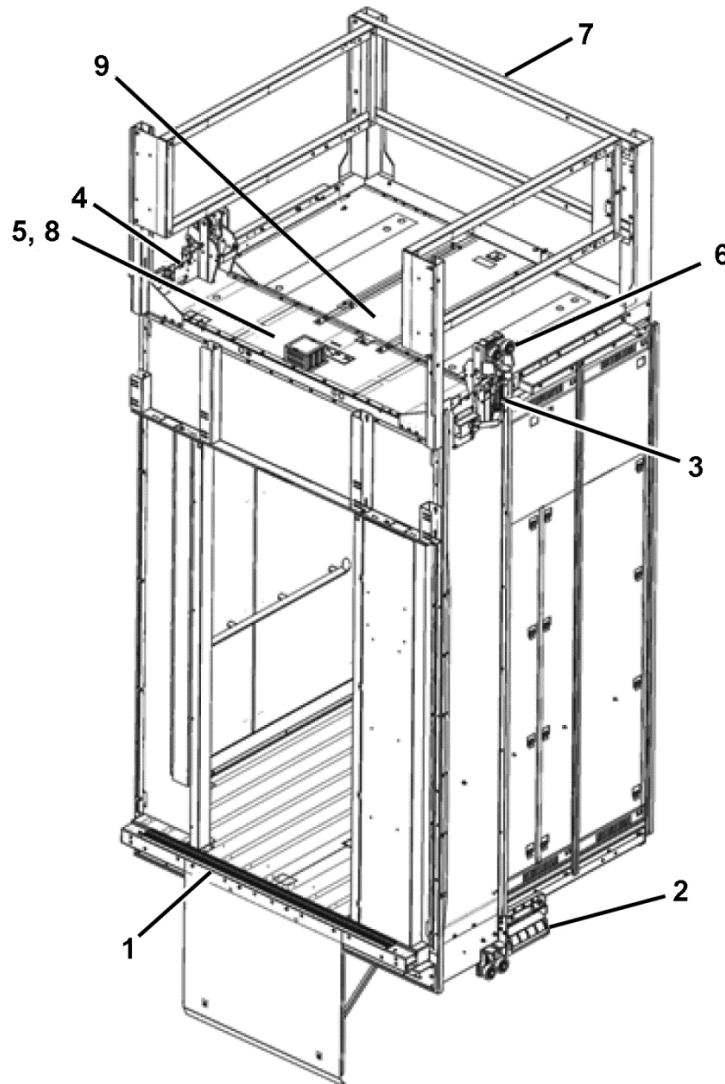
This document lists the lowest replaceable units (LRUs) for the standard version of the product. The LRUs are chosen by a team of Otis associates representing engineering and manufacturing.

While goal of this document is to make parts identification as easy as possible, the document cannot be all-inclusive. Elevator and escalator contracts classified as “special” or “custom” are not addressed here. For such contracts, please refer to specified information, the contract folder, TIPS, Field Education Articles, Construction Letters, etc. for further information.

If you have any suggestions about this document, please contact the subject matter expert listed on this page.

Table of Contents

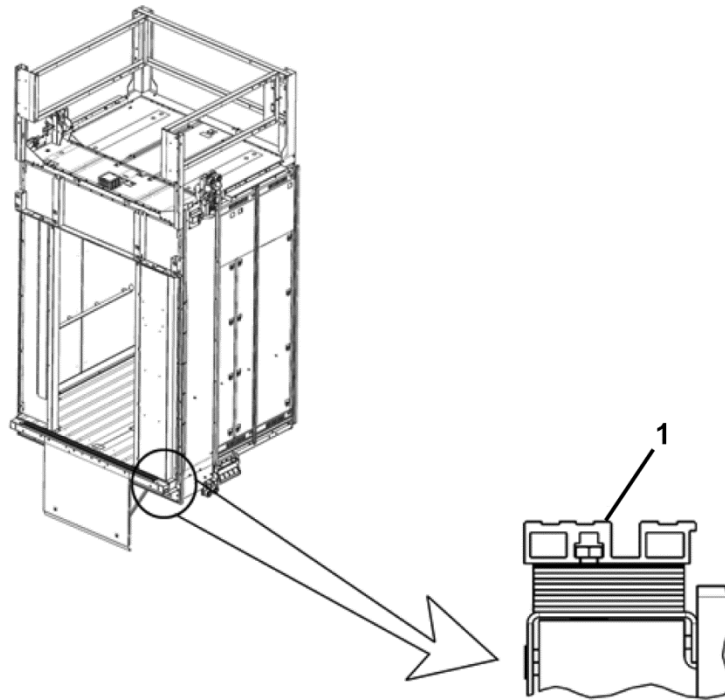
14-AAA29507E



REF. No.	PAGE No.	DESCRIPTION
1	4-5	Threshold and Shim
2	6	Sheave Assembly
3	7	Safeties
4	8	Governor
5	9-10	Safety Linkages
6	11	Roller Guides
7	12	Top-of-Car Handrail
8	13	Crosshead Electrical Components
9	14	Top-of-Car Emergency Exit
---	15-16	Handrails, In Car (Not Shown)
---	17	Drop Ceiling (Light Bulb, Light Socket, and Ring) (Not Shown)
---	18	Miscellaneous Spare Parts (Not Shown)

14-AAA29507E

Threshold



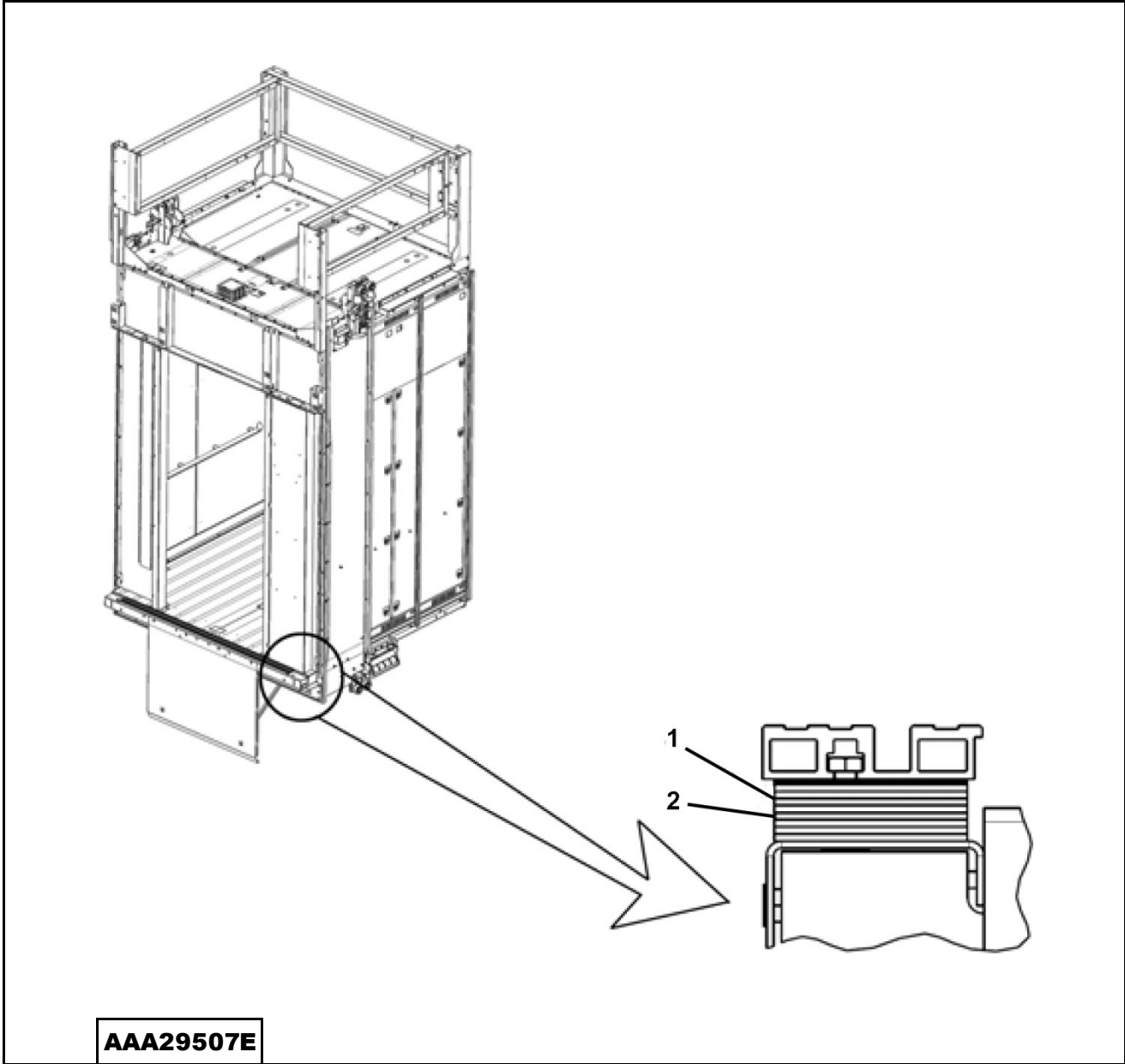
AAA29507E

REF. No.	PART No.	OPENING WIDTH	LENGTH	OPENING TYPE	MATERIAL	DESCRIPTION
1	AAA280BJ1	42 in. (1067 mm)	67.34 in. (1711 mm)	Center-Opening	Aluminum	Threshold
	AAA280BJ3	48 in. (1219 mm)	76.32 in. (1938.5 mm)			
	AAA280BJ5	36 in. (914 mm)	59.49 in. (1511 mm)	Single-Slide		
	AAA280BJ8	42 in. (1067 mm)	68.52 in. (1741 mm)			
	AAA280BJ18	N/A	76.32 in. (1938.5 mm)	CO or SS		
	AAA280BN1	42 in. (1067 mm)	67.34 in. (1711 mm)	Center-Opening	Bronze	Threshold
	AAA280BN3	48 in. (1219 mm)	76.32 in. (1938.5 mm)			
	AAA280BN5	36 in. (914 mm)	59.49 in. (1511 mm)	Single-Slide		
	AAA280BN8	42 in. (1067 mm)	68.52 in. (1741 mm)			
	AAA280BN18	N/A	76.32 in. (1938.5 mm)	CO or SS		
	AAA280BM1	42 in. (1067 mm)	67.34 in. (1711 mm)	Center-Opening	Nickel Silver	Threshold
	AAA280BM3	48 in. (1219 mm)	76.32 in. (1938.5 mm)			
	AAA280BM5	36 in. (914 mm)	59.49 in. (1511 mm)	Single-Slide		
	AAA280BM8	42 in. (1067 mm)	68.52 in. (1741 mm)			
	AAA280BM18	N/A	76.32 in. (1938.5 mm)	CO or SS		

(continued on next page)

Threshold Shim

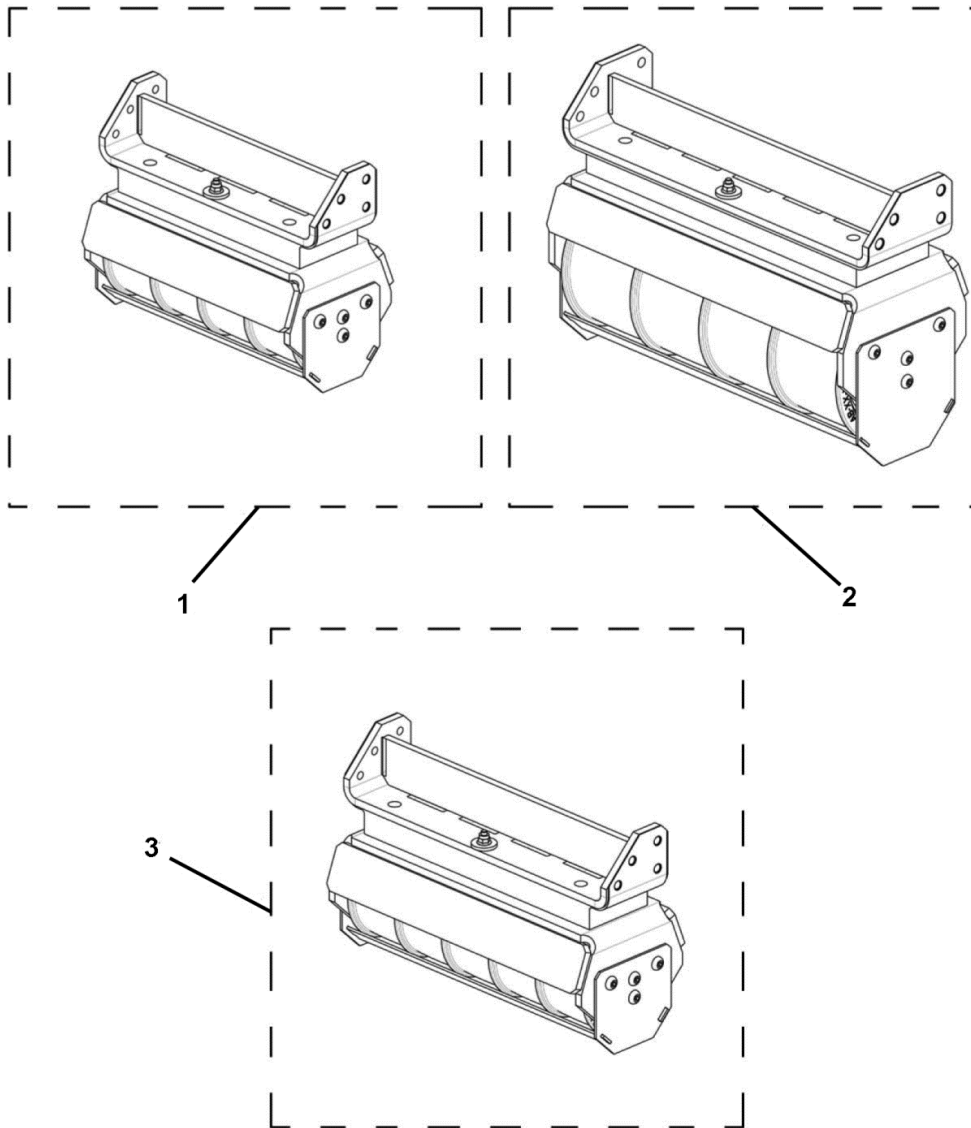
14-AAA29507E



AAA29507E

REF. No.	PART No.	LENGTH	OPENING TYPE	THICKNESS	DESCRIPTION
1	AAA255PG5	65.28 in. (1658 mm)	Center-Opening	0.11 in. (2.75 mm)	Shim, 12 GA
	AAA255PG7	74.25 in. (1886 mm)			
	AAA255PG1	66.89 in. (1699 mm)	Single-Slide		
	AAA255PG3	67.75 in. (1466.8 mm)			
2	AAA255PG6	65.28 in. (1658 mm)	Center-Opening	0.04 in. (1.0 mm)	Shim, 20 GA
	AAA255PG8	74.25 in. (1886 mm)			
	AAA255PG2	66.89 in. (1699 mm)	Single-Slide		
	AAA255PG4	67.75 in. (1466.8 mm)			

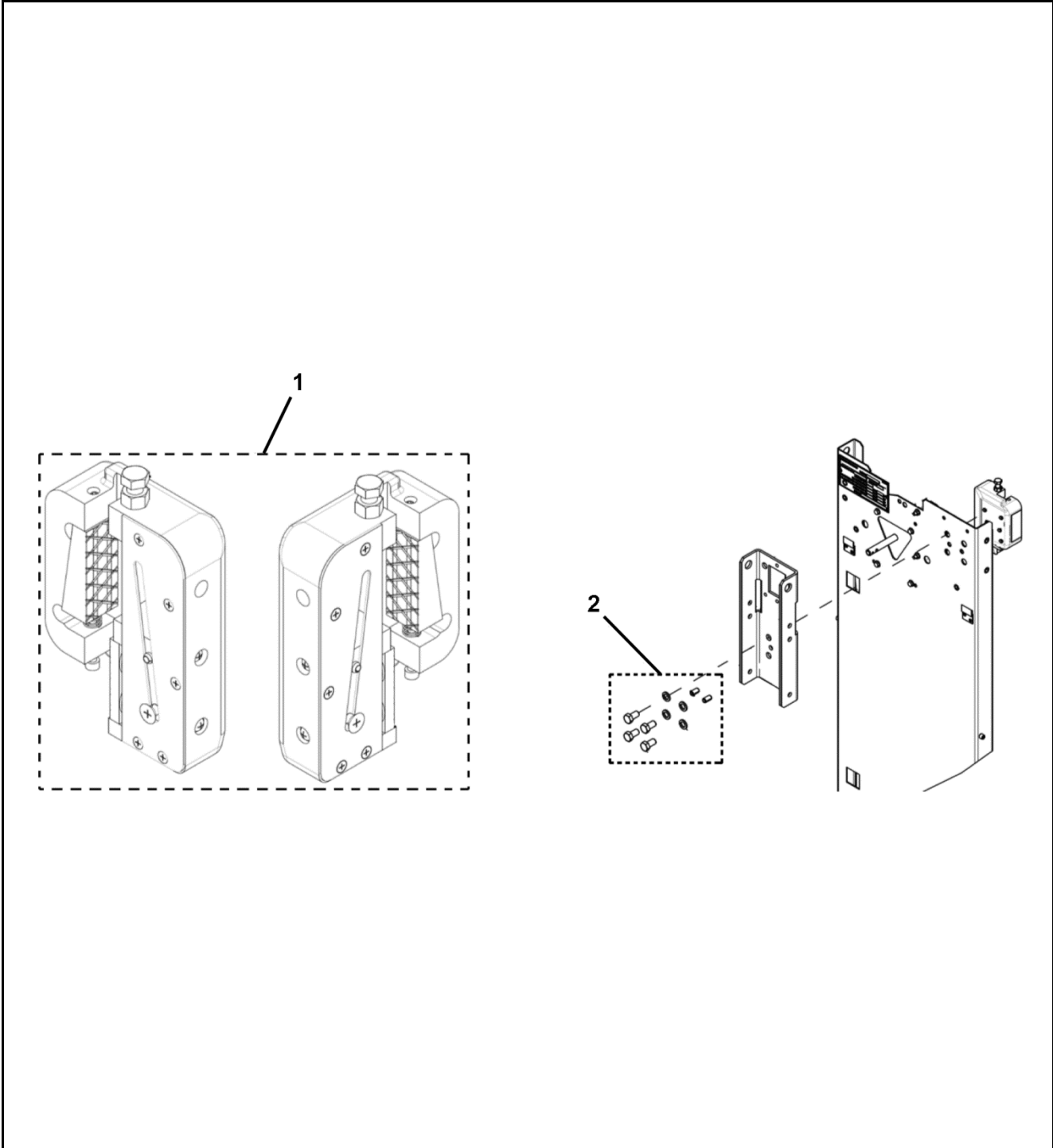
Sheave Assembly



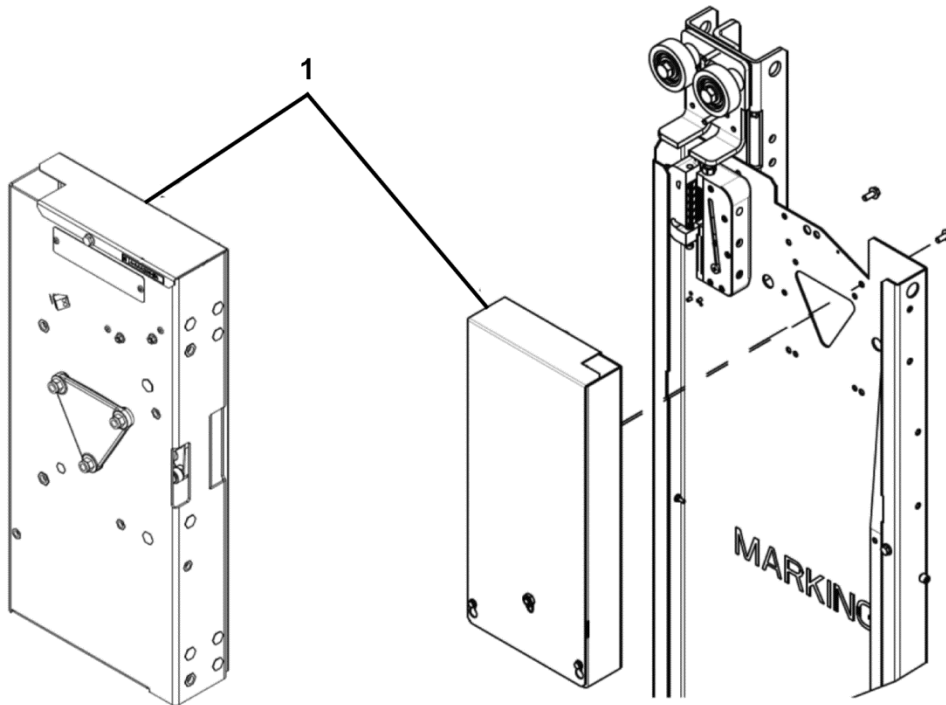
AAA29507E			
REF. No.	PART No.	DESCRIPTION	NOTE
1	ABA20780X1 AAA20780Y1 ABA20780Y1	Assembly, Sheave and Housing, 4 Grooves, 43 kN	For additional service parts, see SPL 14-AAA20780Y
2	AAA20780Z1 ABA20780Z1	Assembly, Sheave and Housing, 4 Grooves, 64 kN	
3	AAA20780Y2 ABA20780Y2	Assembly, Sheave and Housing, 5 Grooves, 43 kN	
---	NON1241M8X20-8.8Z	Bolt, Mounting, M8X20, 8 Required for 43 kN	not shown
---	NON1241M10X20-8.8Z	Bolt, Mounting, M8X20, 8 Required for 64 kN	not shown

Safeties

14-AAA29507E



REF. No.	PART No.	DESCRIPTION
1	---	Kit, Safety Assembly. See SPL 14-KAA24120AAJ for details.
2	AAA29507E425	Kit, Safety Mounting Hardware. Includes 8 M16X30 bolts and 8 M16 spring lockwashers.



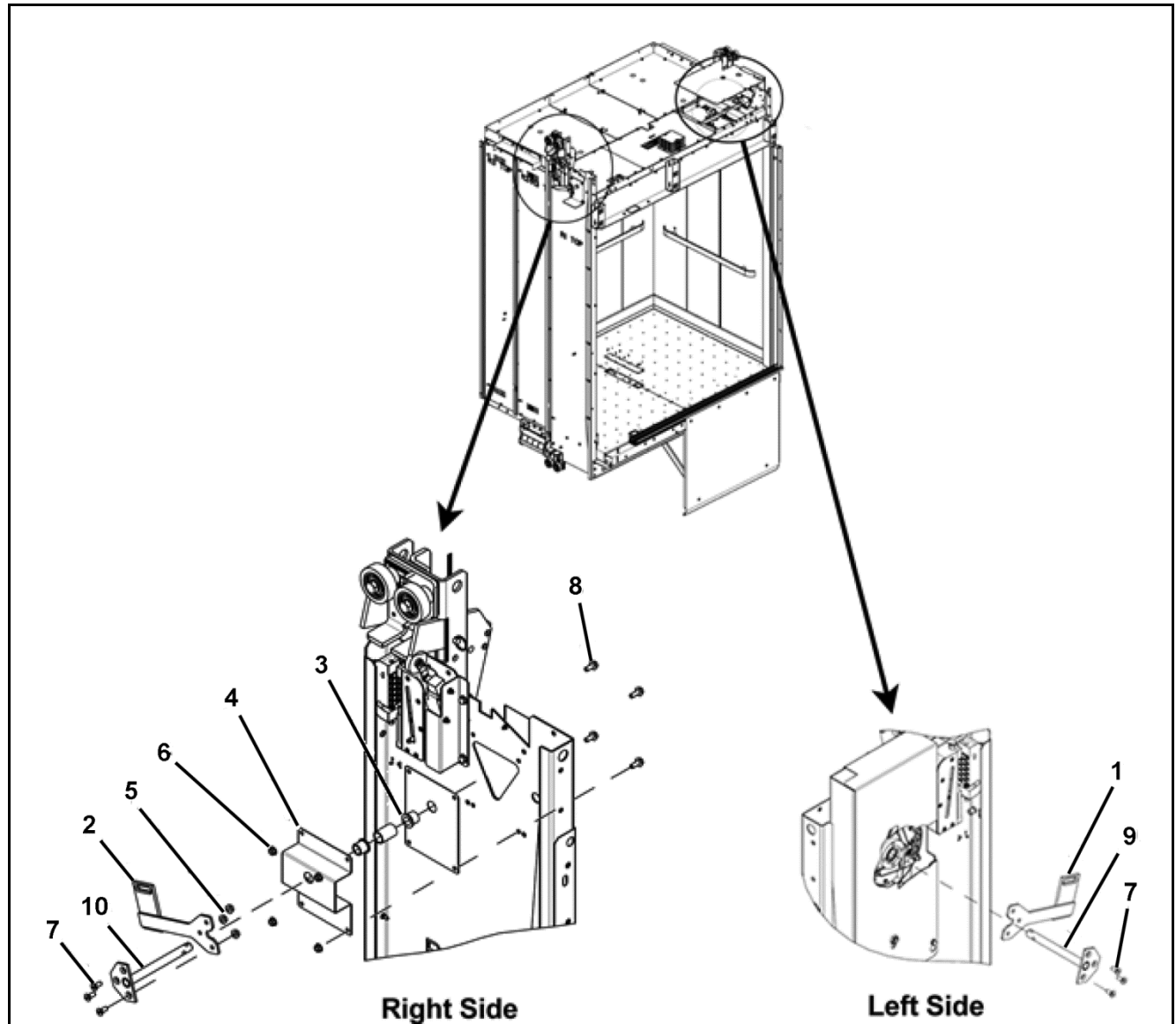
Governor: Back View

**Governor: Front View,
Attaching to Upright**

AAA29507E		
REF. No.	PART No.	DESCRIPTION
1	---	Governor, Manual and Remote Set (150 & 200 fpm). See SPL 15-TAA20641J.
		Governor, Manual and Remote Set (350 fpm). See SPL 15-TAA20641H.

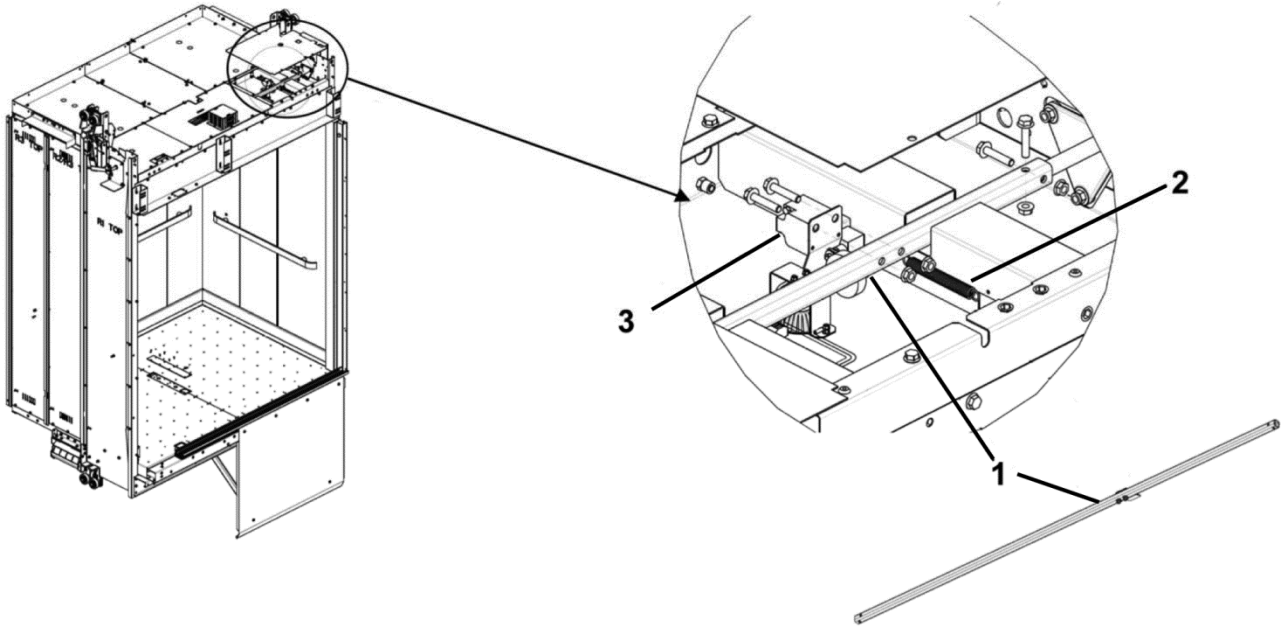
Safety Linkages

14-AAA29507E

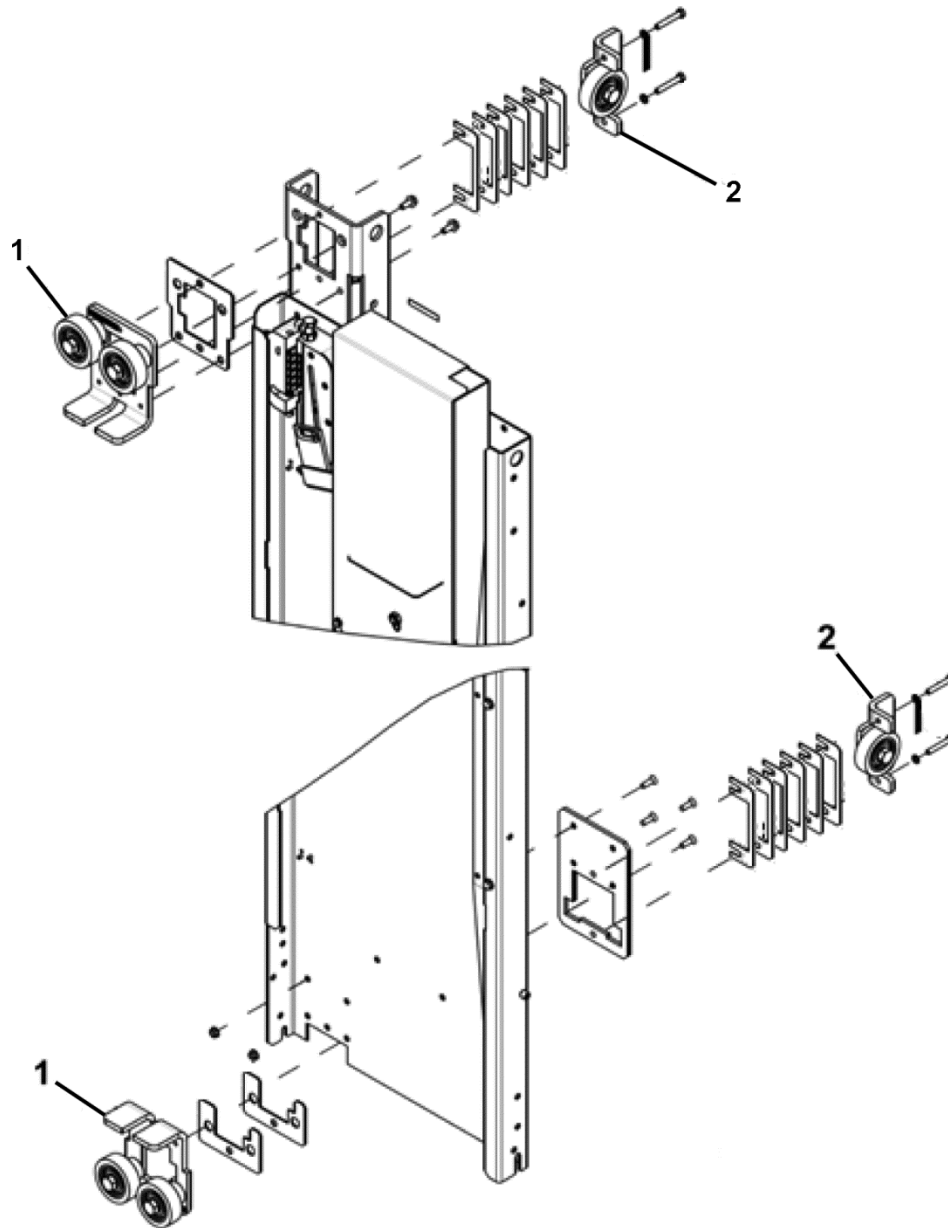


AAA29507E		
REF. No.	PART No.	DESCRIPTION
1	ABA288AED1	Arm, Safety Lever, Left Side
2	ABA288AED2	Arm, Safety Lever, Right Side
3	AAA321LL1	Bushing
4	AAA315ADS1	Channel, Formed
5	NON7201M8-8-B	Nut, M8 Hex Nut w/Serrated Flange. 3 required per safety lever arm
6	NON7201M8-8-Z	Nut, M8 Hex Nut w/Serrated Flange. 4 required per channel
7	ISO10642M8X20-10.9B	Screw, Hexagon Socket C'sunk Head. 3 required per safety lever arm
8	NON1241M8X20-8.8Z	Screw, M8X20 Hex Head w/Serrated Flange
9	ACA288AEL1	Shaft, Safety Lever, Left Side
10	ACA288AEL2	Shaft, Safety Lever, Right Side

Safety Linkages



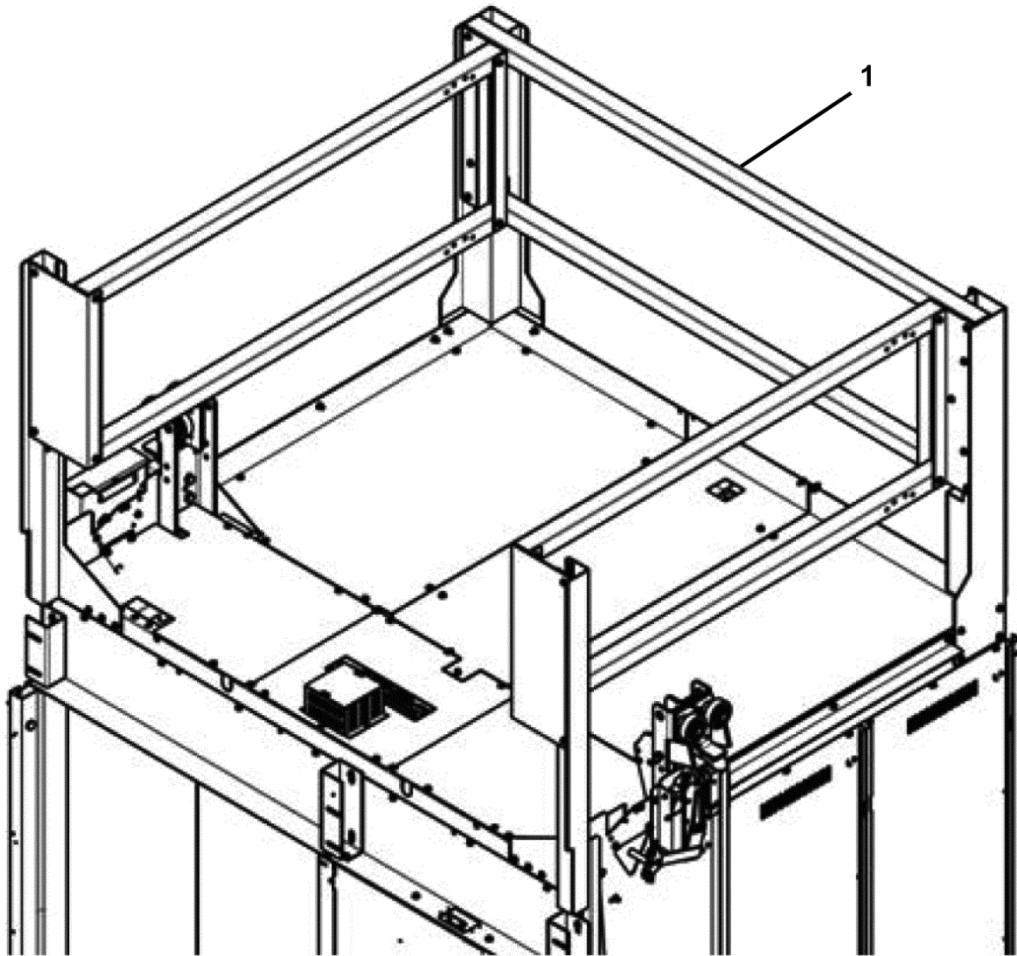
AAA29507E		
REF. No.	PART No.	DESCRIPTION
1	ABA377HB1	Assembly, Safety Linkage Shaft, 64.37 in. (1635 mm) Long. For 2100 lb. Duty
	ABA377HB2	Assembly, Safety Linkage Shaft, 73.62 in. (1870 mm) Long. For 2500, 3000, 3500 lb. Duties
	ABA377HB3	Assembly, Safety Linkage Shaft, 85.63 in. (2175mm) Long. For 4000 lb. Duty
2	AAA91BA1	Spring, Extension
3	AAA22800T3	Switch, SOS



AAA29507E		
REF. No.	PART No.	DESCRIPTION
1	---	Rollers, Front and Back. See SPL 14-AAA24180AZ
		Rollers, Front and Back. See SPL 14-AAA24180BC
2	---	Rollers, Post. See SPL 14-AAA24180BA
		Rollers, Post. See SPL 14-AAA24180BE

Top-of-Car Handrail

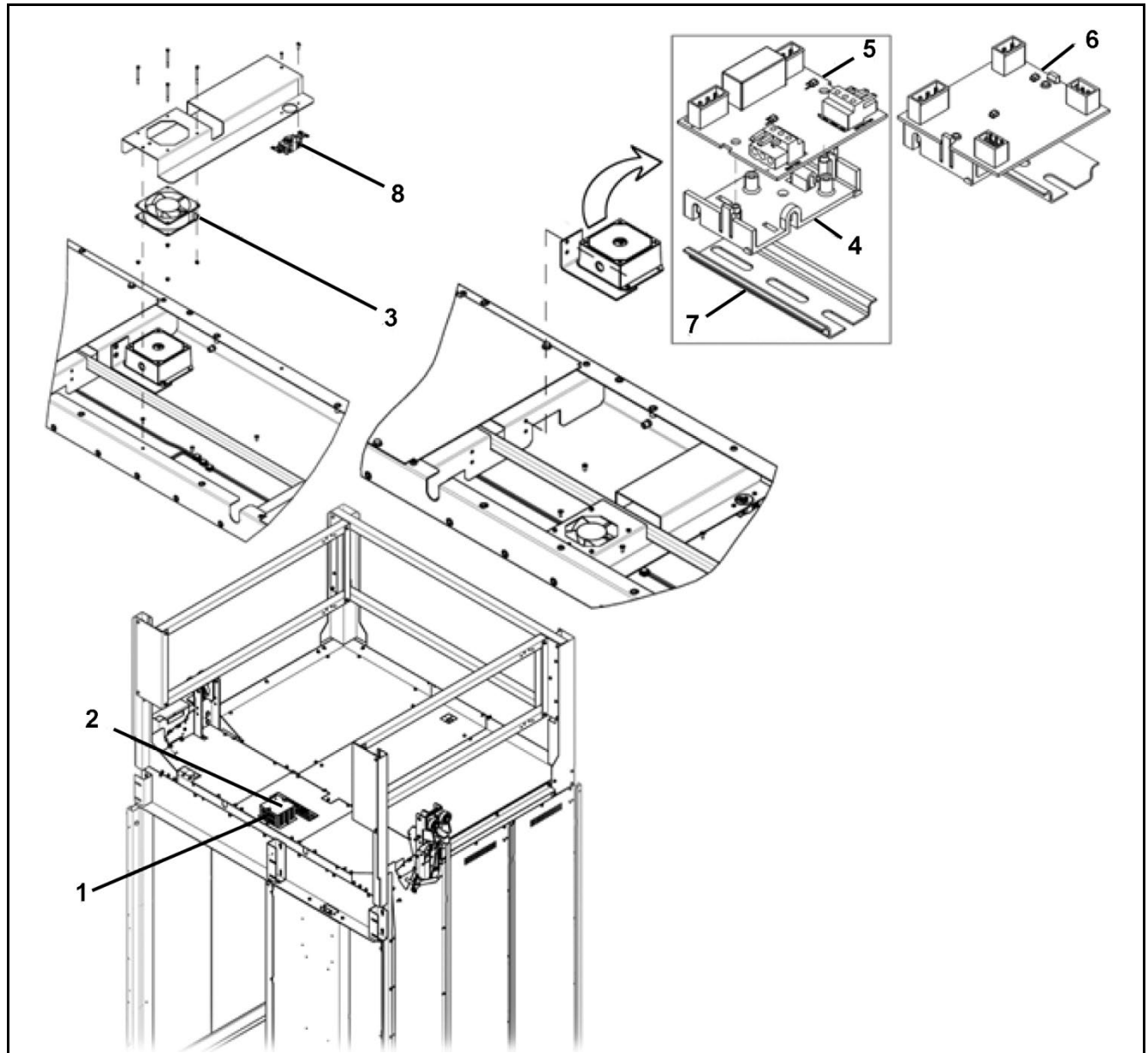
14-AAA29507E



REF. No.	PART No.	DESCRIPTION
1	---	Top-of-Car Handrail. See SPL 17-AAA25580CA

14-AAA29507E

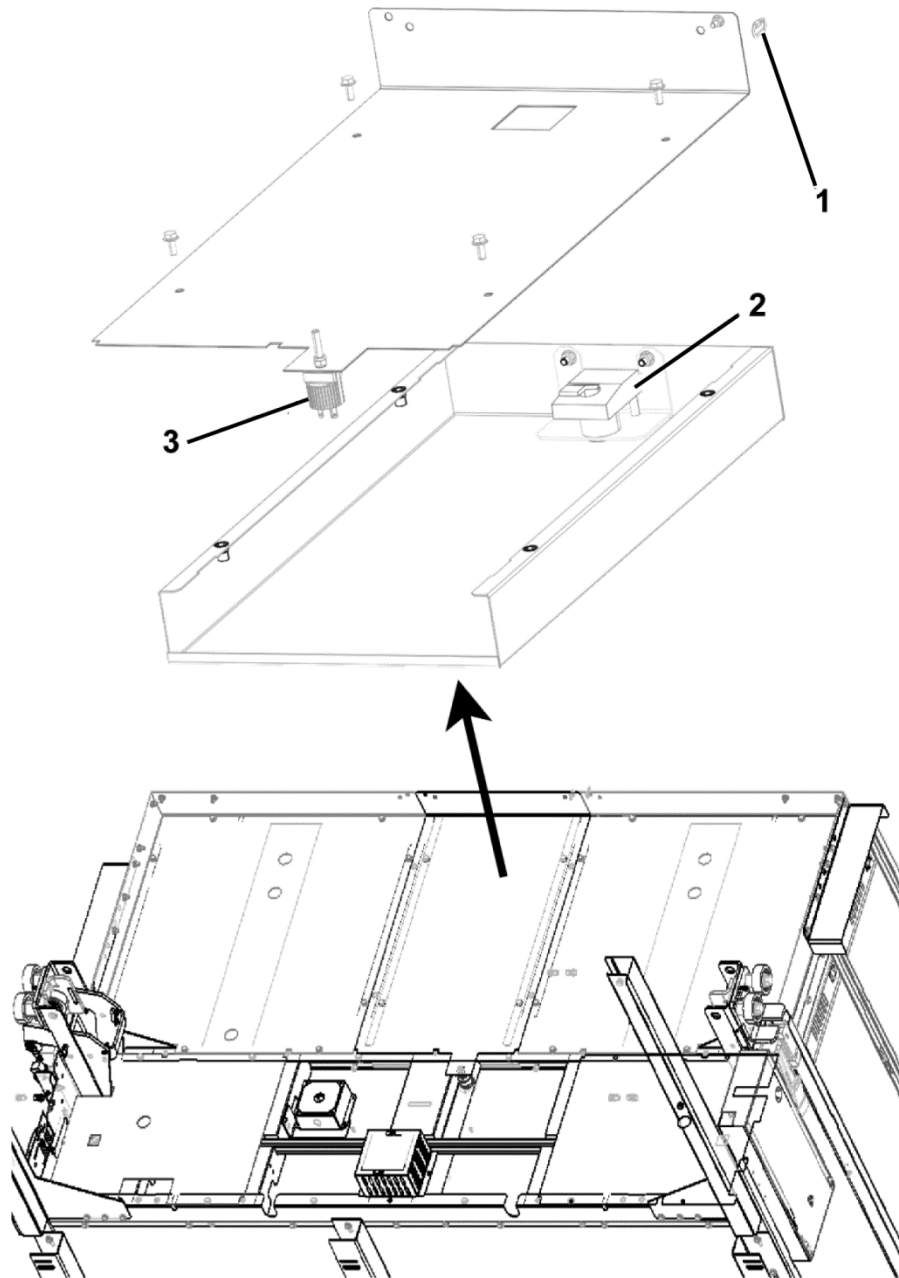
Crosshead Electrical Components



AAA29507E		
REF. No.	PART No.	DESCRIPTION
1	AAA285PD4	Cover, Fan Box
2	AAA285PD3	Cover, Fan Top
3	AAA24720T10	Fan
4	AAA180FE1	Holder, PC Board
5	AAA26800APY1	PC Board, LAMBDA® LC
6	AAA24591AM117	PC Board, OPTIGUARD™
7	401B89	Rail
8	618AD1	Socket, Emergency Exit

Top-of-Car Emergency Exit

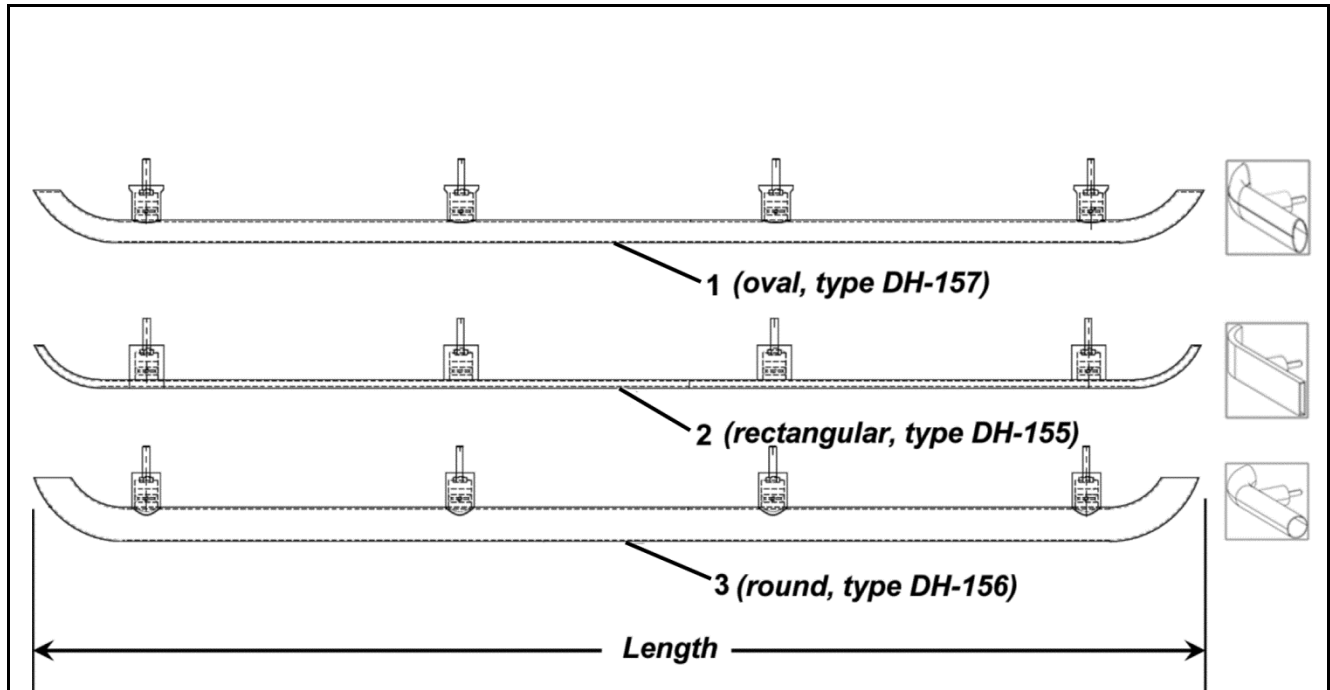
14-AAA29507E



AAA29507E		
REF. No.	PART No.	DESCRIPTION
1	AAA176HZ1	Connector
2	AAA431AM1	Lock, 5-Pin, with 2 Keys (# 1245)
	AAA431AM2	Lock, 5-Pin, with 2 Keys (# 3502). For Massachusetts only.
3	AAA648C3	Plug, Emergency Exit

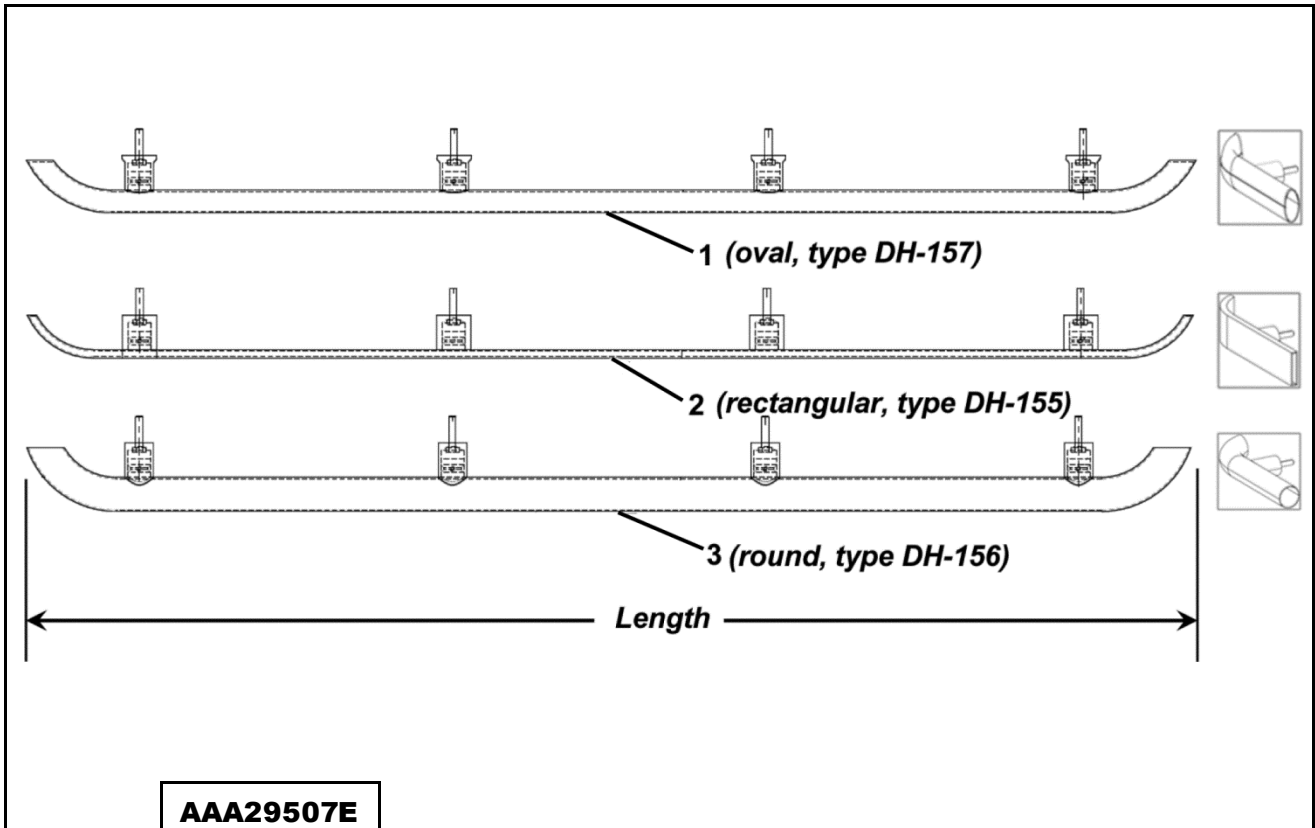
In-Car Handrails, Rear

14-AAA29507E



AAA29507E					
REF. No.	PART No.	FINISH	DUTIES	LENGTH	HANDRAIL SHAPE
	AAA139BT1	Brushed Steel	2100	59.65 in. (1515 mm)	Oval, DH-157, 24.5 x 50.8 mm (1 x 2 in.)
	AAA139BT2		2500, 3000, 3500	68.9 in. (1750 mm)	
	AAA139BT6		4000	80.9 in. (2055 mm)	
2	AAA139BQ15	Bronze Tinted	2100	59.65 in. (1515 mm)	Rectangular, DH-155, 50.8 x 9.5 mm (2 x 0.375 in.)
	AAA139BQ16		2500, 3000, 3500	68.9 in. (1750 mm)	
	AAA139BQ20		4000	80.9 in. (2055 mm)	
	AAA139BQ1	Brushed Steel	2100	59.65 in. (1515 mm)	
	AAA139BQ2		2500, 3000, 3500	68.9 in. (1750 mm)	
	AAA139BQ6		4000	80.9 in. (2055 mm)	
3	AAA139BS15	Bronze Tinted	2100	59.65 in. (1515 mm)	Round, DH-156, 38.1 mm (1.5 in.) Diameter
	AAA139BS16		2500, 3000, 3500	68.9 in. (1750 mm)	
	AAA139BS20		4000	80.9 in. (2055 mm)	
	AAA139BS1	Brushed Steel	2100	59.65 in. (1515 mm)	
	AAA139BS2		2500, 3000, 3500	68.9 in. (1750 mm)	
	AAA139BS6		4000	80.9 in. (2055 mm)	

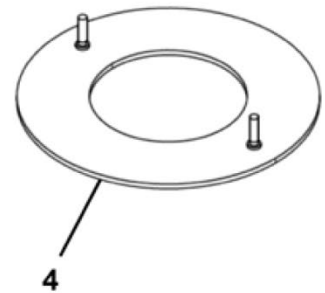
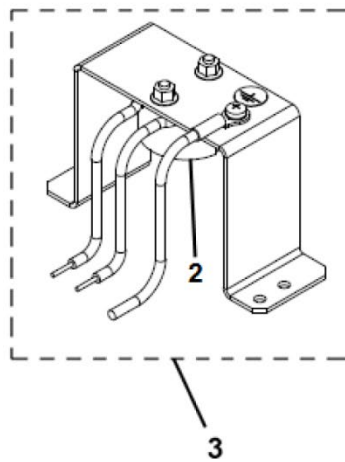
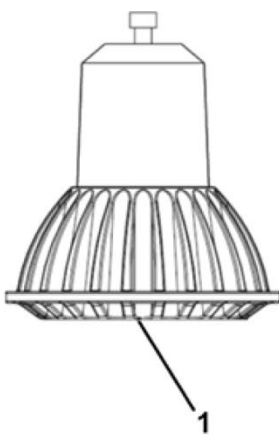
In-Car Handrails, Side



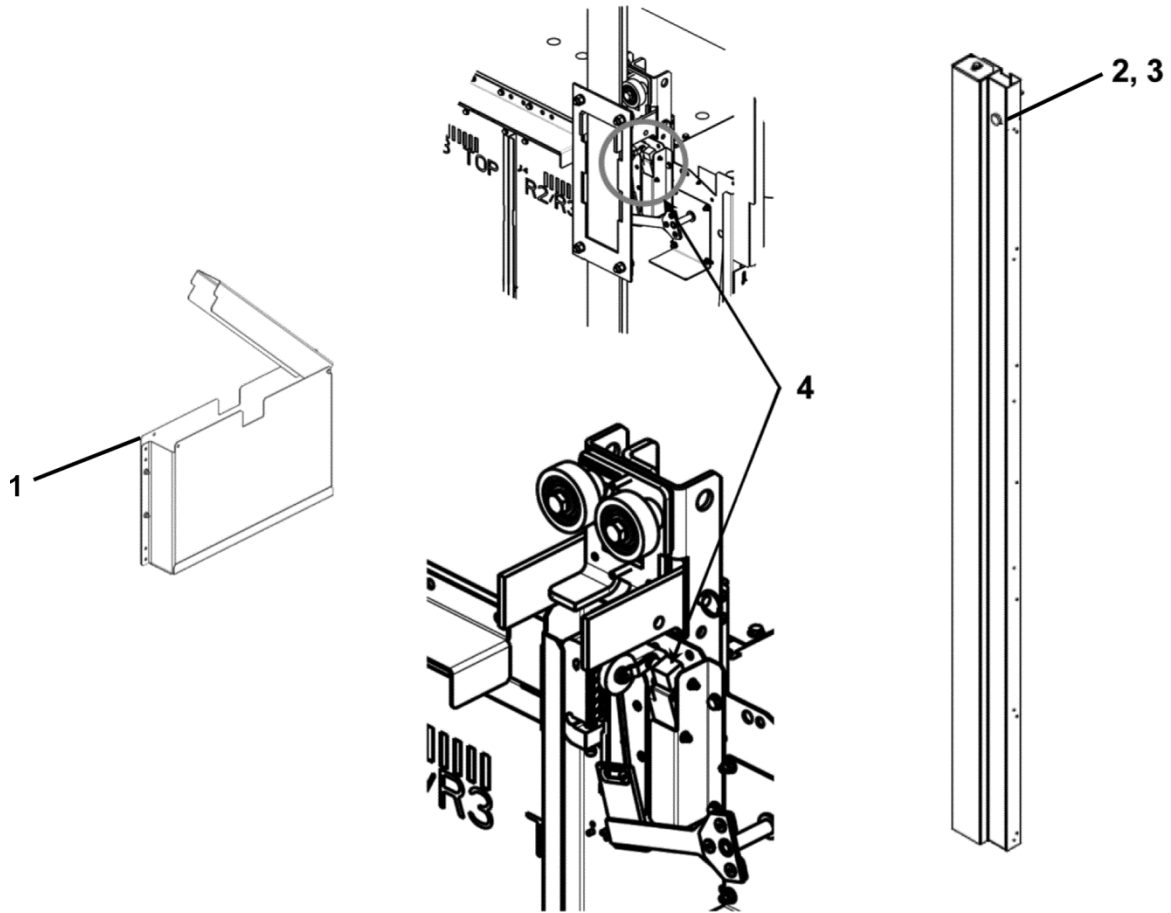
AAA29507E					
REF. No.	PART No.	FINISH	DUTIES	LENGTH	HANDRAIL SHAPE
1	AAA139BT4	Brushed Steel	3000	50.9 in. (1293 mm)	Oval, DH-157, 24.5 x 50.8 mm (1 x 2 in.)
	AAA139BT3		2100, 2500	42.28 in. (1074 mm)	
	AAA139BT5		3500, 4000P	56.3 in. (1430 mm)	
2	AAA139BQ18	Bronze Tinted	3000	50.9 in. (1293 mm)	Rectangular, DH-155, 50.8 x 9.5 mm (2 x 0.375 in.)
	AAA139BQ17		2100, 2500	42.28 in. (1074 mm)	
	AAA139BQ19		3500, 4000P	56.3 in. (1430 mm)	
	AAA139BQ4	Brushed Steel	3000	50.9 in. (1293 mm)	
	AAA139BQ3		2100, 2500	42.28 in. (1074 mm)	
	AAA139BQ5		3500, 4000P	56.3 in. (1430 mm)	
3	AAA139BS18	Bronze Tinted	3000	50.9 in. (1293 mm)	Round, DH-156, 38.1 mm (1.5 in.) Diameter
	AAA139BS17		2100, 2500	42.28 in. (1074 mm)	
	AAA139BS19		3500, 4000P	56.3 in. (1430 mm)	
	AAA139BS4	Brushed Steel	3000	50.9 in. (1293 mm)	
	AAA139BS3		2100, 2500,	42.28 in. (1074 mm)	
	AAA139BS5		3500, 4000P	56.3 in. (1430 mm)	

Ceiling & Drop Ceiling Light Bulb, Light Socket, Trim Ring

14-AAA29507E



AAA29507E		
REF. No.	PART No.	DESCRIPTION
1	AAA417CX1	Bulb, LED
2	AAA618BD5	Socket, Light
3	AAA458K1 AAA458K2	Socket, Light, w/ Frame
3	AAA458H2	Trim Ring



AAA29507E		
REF. No.	PART No.	DESCRIPTION
1	AAA308ABY1	Box. For wire diagram. Located on top-of-car handrail.
2	320CV2	Bumper, Strike
3	ISO1234-2X40Z	Pin, Cotter, 2 mm Dia., 40 mm Long (0.08 in. Dia. X 1.57 in. Long)
4	AAA22800T3	Switch, Blocking