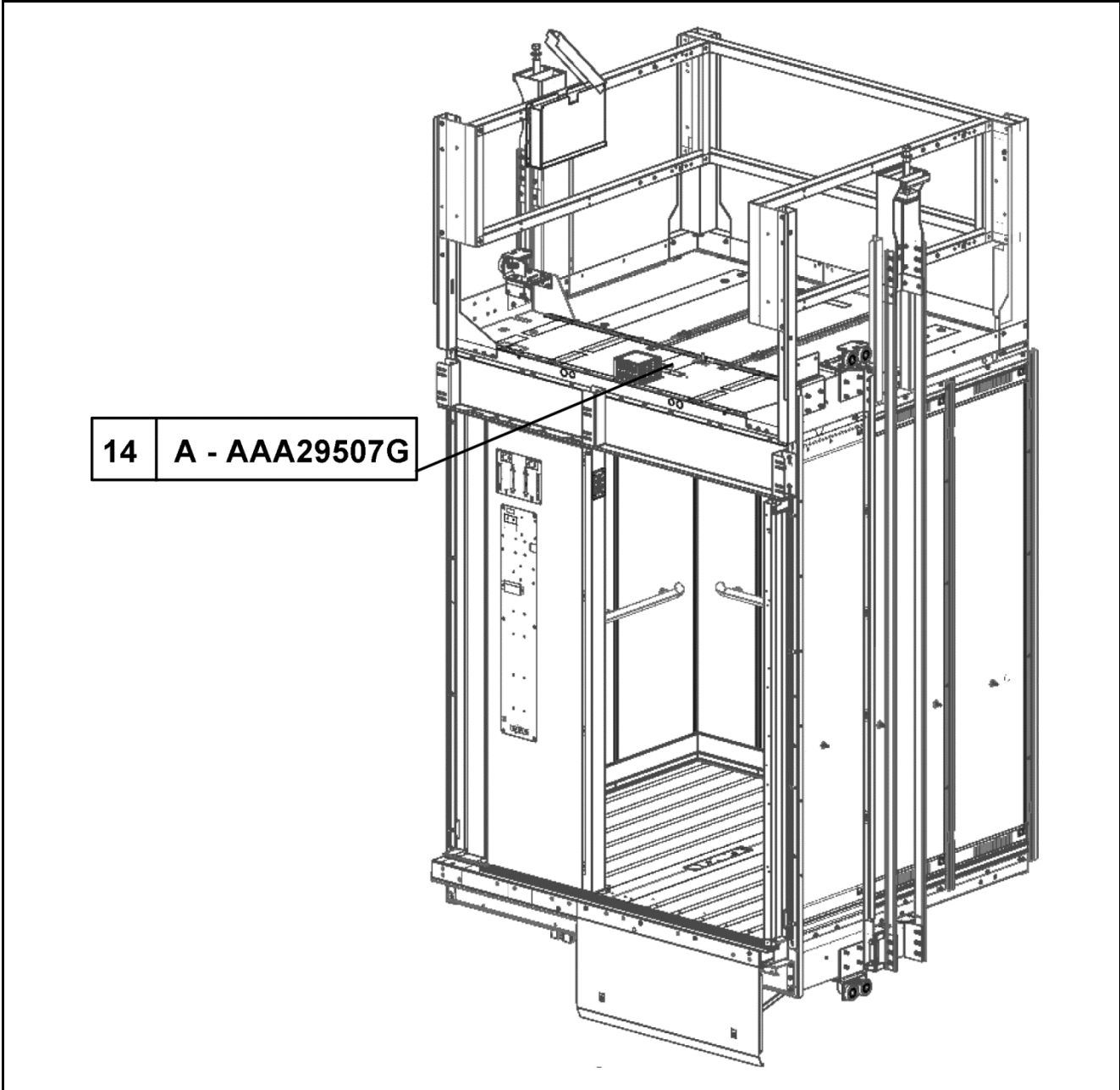


**HydroFIT Carframe
(2100–3500 lb. Duties)**

Spare Parts Leaflet

14-AAA29507G

September 2, 2015 / Page 1 of 13



OTIS

**SERVICE ENGINEERING
Otis Elevator Company
Bloomfield, Connecticut USA**

Unpublished Work—© Otis Elevator Co.; 2015

Leaflet Description

This leaflet covers the carframe spare parts used on the HydroFIT® 2100–3500 lb. duties.

Leaflet Revisions

Date Revised	Subject Matter Expert	Reason for Revision
September 11, 2013	Rich Blakelock Troy Chicoine	New SPL
January 8, 2014	Kyle Pereira	Corrected part numbers on pg. 8
September 2, 2015	Kyle Pereira	Updated p. 12

Related Drawings

Drawing No.	Title	Drawing No.	Title
AAA29507G	Carframe Assembly		

Related Documents

Document ID	Title
SPL 14-AAA24180AW	Roller Guides
SPL 17-AAA25580CA	Top-of-Car Handrail
AAA29503B_TDS	Cab Technical Data Sheet
AAA29507G_TDS	Carframe Technical Data Sheet

Subject Matter Expert

Name	Department
Troy Chicoine	OSC Service Engineering

About Spare Parts Leaflets...

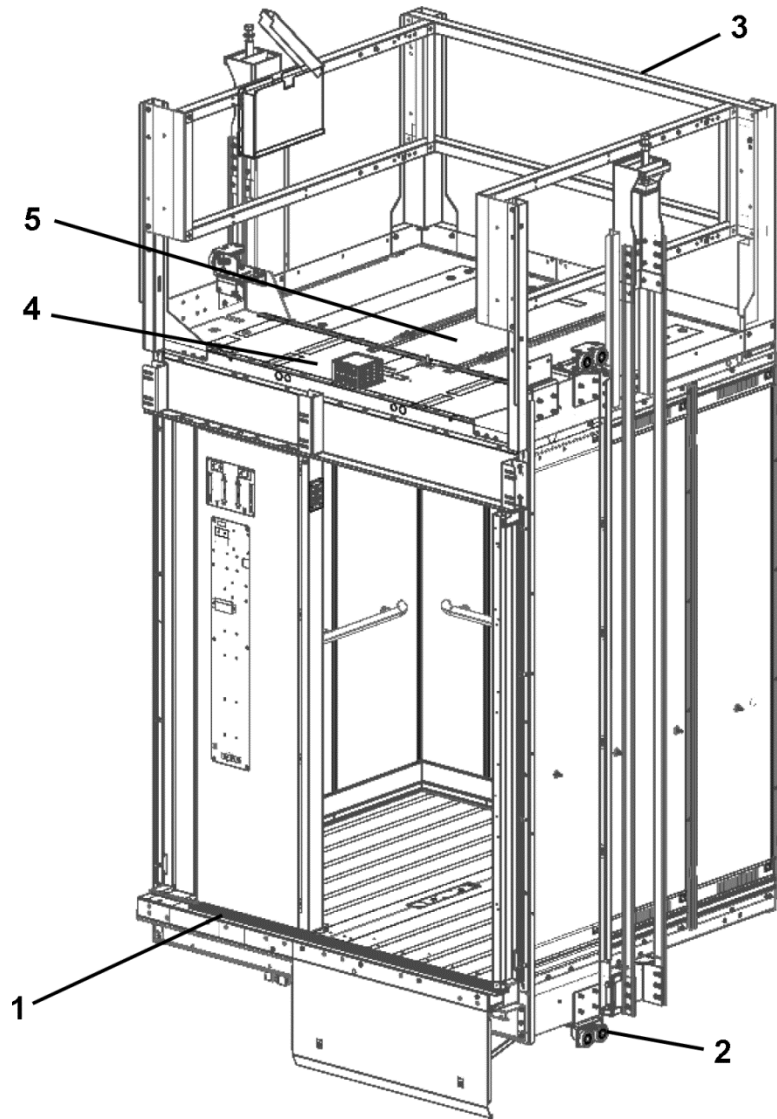
This document lists the lowest replaceable units (LRUs) for the standard version of the product. The LRUs are chosen by a team of Otis associates representing engineering and manufacturing.

While goal of this document is to make parts identification as easy as possible, the document cannot be all-inclusive. Elevator and escalator contracts classified as “special” or “custom” are not addressed here. For such contracts, please refer to specified information, the contract folder, TIPs, Field Education Articles, Construction Letters, etc. for further information.

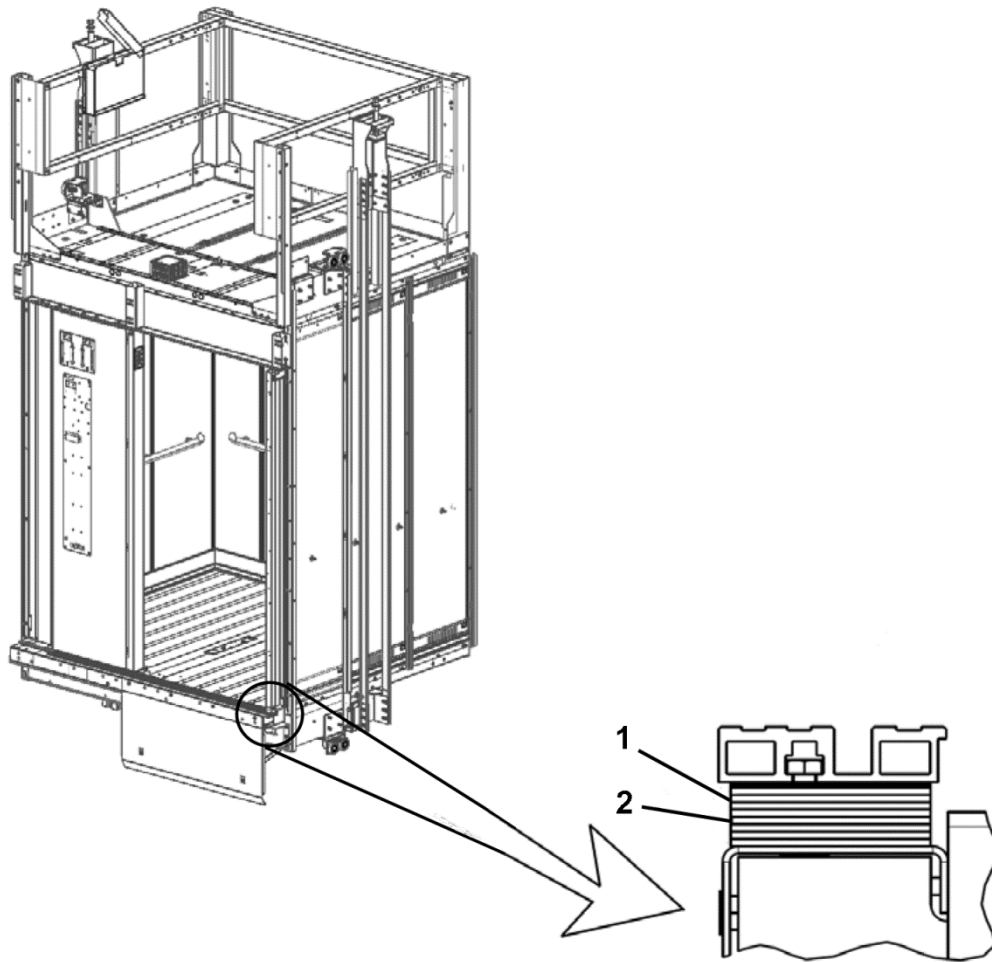
If you have any suggestions about this document, please contact the subject matter expert listed on this page.

Table of Contents

14-AAA29507G



REF. No.	PAGE	DESCRIPTION
1	4-5	Threshold and Shim
2	6	Roller Guides
3	7	Top-of-Car Handrail
4	8	Crosshead Electrical Components
5	9	Top-of-Car Emergency Exit
---	10-11	Handrails, In-Car (not shown)
---	12	Drop Ceiling (Light Bulb, Light Socket, and Ring) (not shown)
---	13	Miscellaneous Spare Parts (not shown)

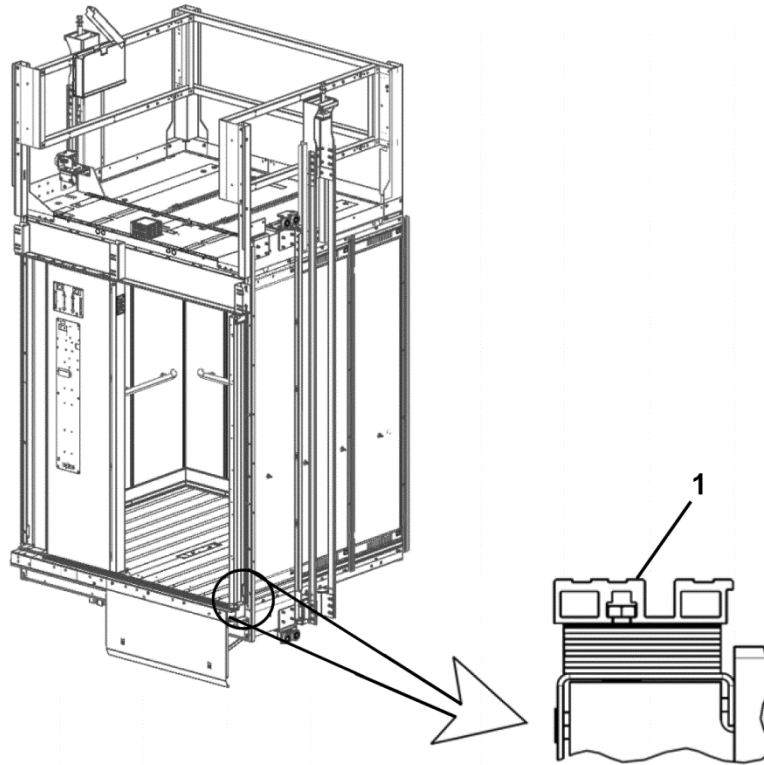


AAA29507G						
REF. No.	PART No.	DESCRIPTION	THICKNESS	OPENING TYPE	OPENING WIDTH	LENGTH
1	AAA255PG5	Shim, 12 GA	2.75 mm (0.11 in.)	Center-Opening	42 in. (1066,8 mm)	1658 mm (65.28 in.)
	AAA255PG3	Shim, 12 GA	2.75 mm (0.11 in.)	Single-Slide	36 in. (914,4 in.)	1423.4 mm (56.04 in.)
	AAA255PG1	Shim, 12 GA	2.75 mm (0.11 in.)	Single-Slide	42 in. (1066,8 mm)	1658 mm (65.28 in.)
2	AAA255PG6	Shim, 20 GA	1.0 mm (0.04 in.)	Center-Opening	42 in. (1066,8 mm)	1658 mm (65.28 in.)
	AAA255PG4	Shim, 20 GA	1.0 mm (0.04 in.)	Single-Slide	36 in. (914,4 in.)	1423.4 mm (56.04 in.)
	AAA255PG2	Shim, 20 GA	1.0 mm (0.04 in.)	Single-Slide	42 in. (1066,8 mm)	1658 mm (65.28 in.)

Continued on Next Page

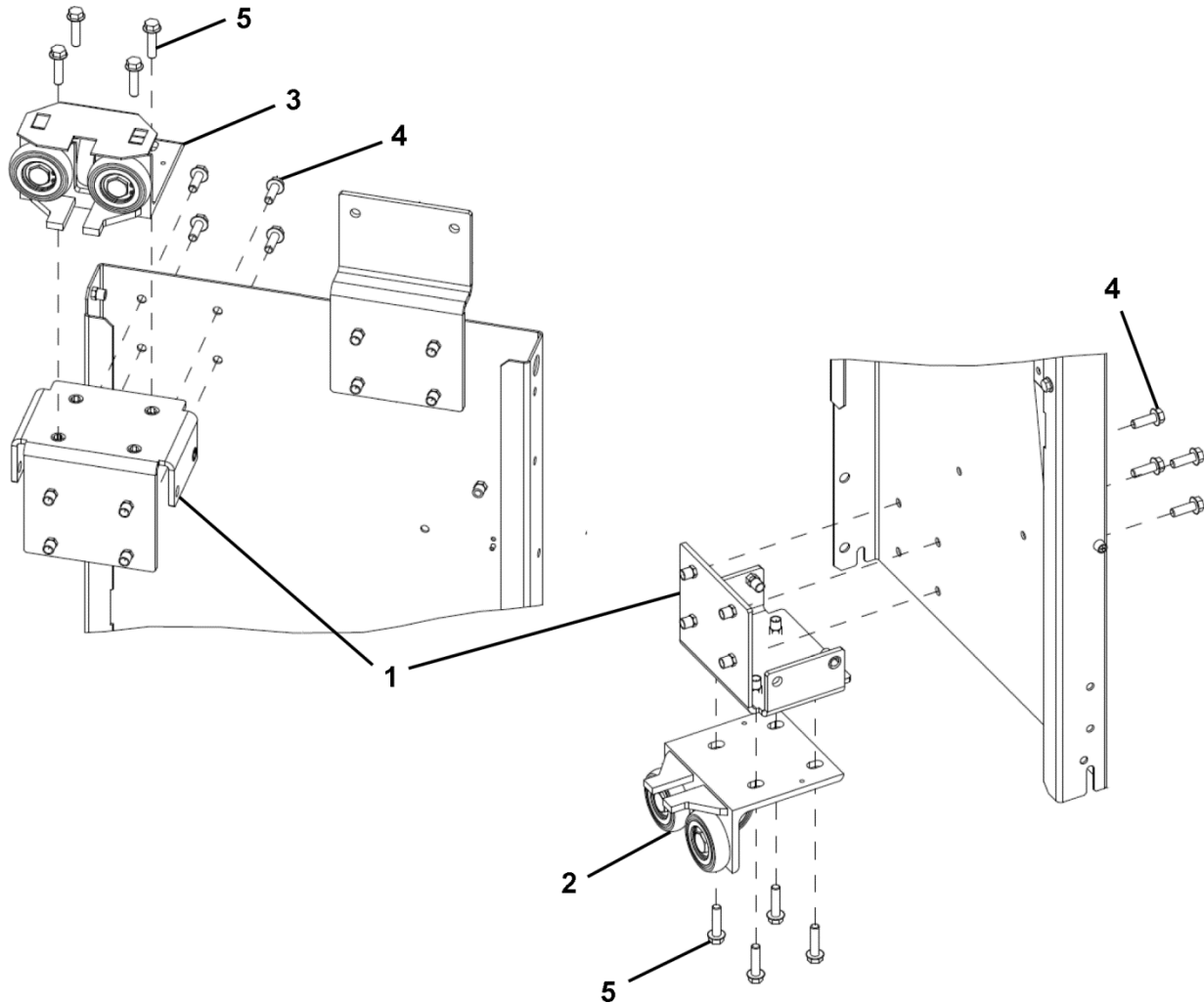
Threshold

14-AAA29507G



AAA29507G

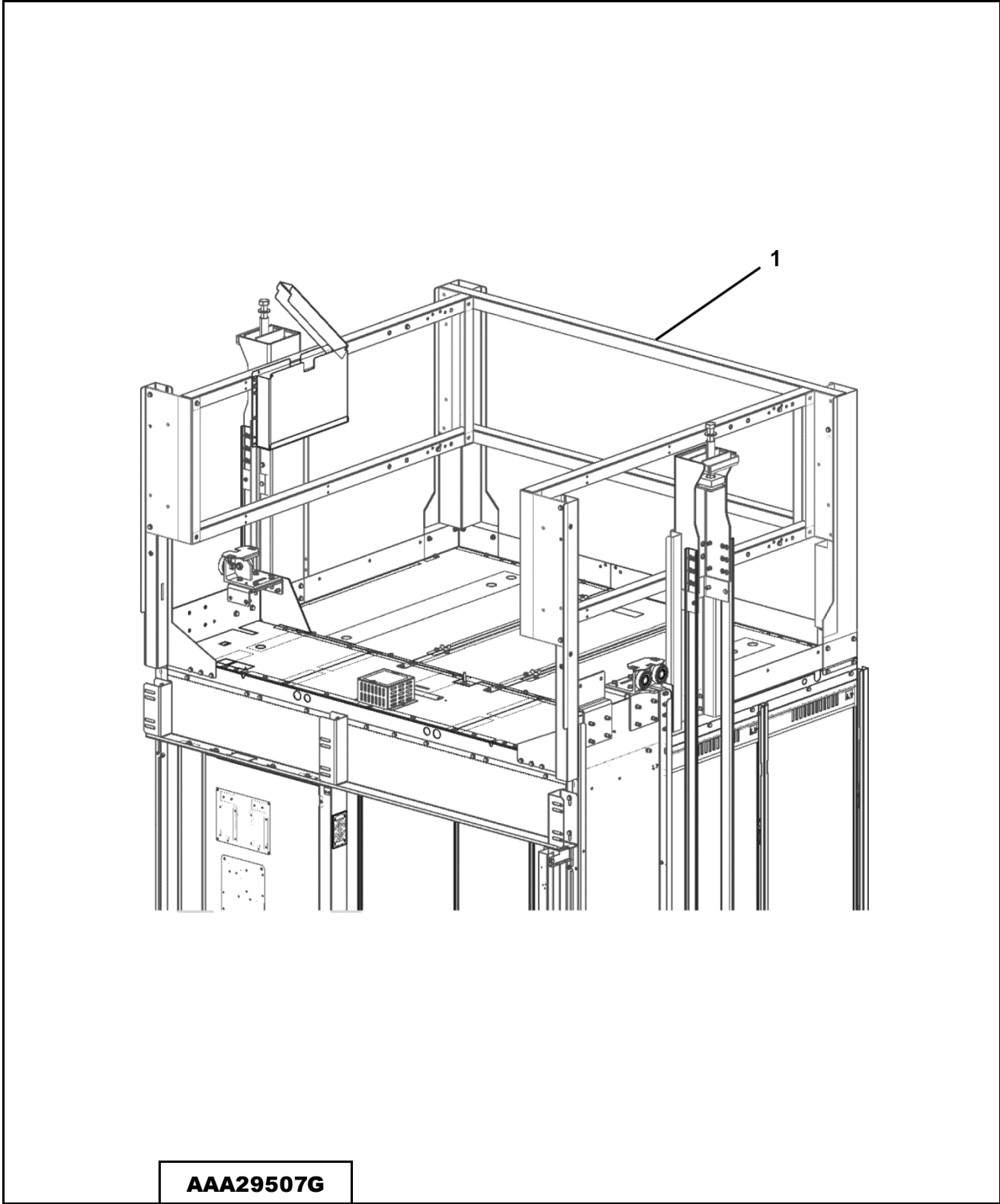
REF. No.	PART No.	DESCRIPTION	THICKNESS	OPENING TYPE	OPENING WIDTH	LENGTH
1	AAA280BJ1	Threshold	Aluminum	Center-Opening	42 in. (1067 mm)	67.34 in. (1710.5 mm)
	AAA280BJ5			Single-Slide	36 in. (914 in.)	59.5 in. (1511 mm)
	AAA280BJ8			Single-Slide	42 in. (1067 mm)	68.52 in. (1740.5 mm)
	AAA280BJ20	Shape, Threshold, No Holes/Slots		Center-Opening or Single-Slide	N/A	68.52 in. (1740.5 mm)
	AAA280BM1	Threshold	Nickel Silver	Center-Opening	42 in. (1067 mm)	67.34 in. (1710.5 mm)
	AAA280BM5			Single-Slide	36 in. (914 in.)	59.5 in. (1511 mm)
	AAA280BM8			Single-Slide	42 in. (1067 mm)	68.52 in. (1740.5 mm)
	AAA280BM20	Shape, Threshold, No Holes/Slots		Center-Opening or Single-Slide	N/A	68.52 in. (1740.5 mm)
	AAA280BN1	Threshold	Bronze	Center-Opening	42 in. (1067 mm)	67.34 in. (1710.5 mm)
	AAA280BN5			Single-Slide	36 in. (914 in.)	59.5 in. (1511 mm)
	AAA280BN8			Single-Slide	42 in. (1067 mm)	68.52 in. (1740.5 mm)
	AAA280BN20	Shape, Threshold, No Holes/Slots		Center-Opening or Single-Slide	N/A	68.52 in. (1740.5 mm)




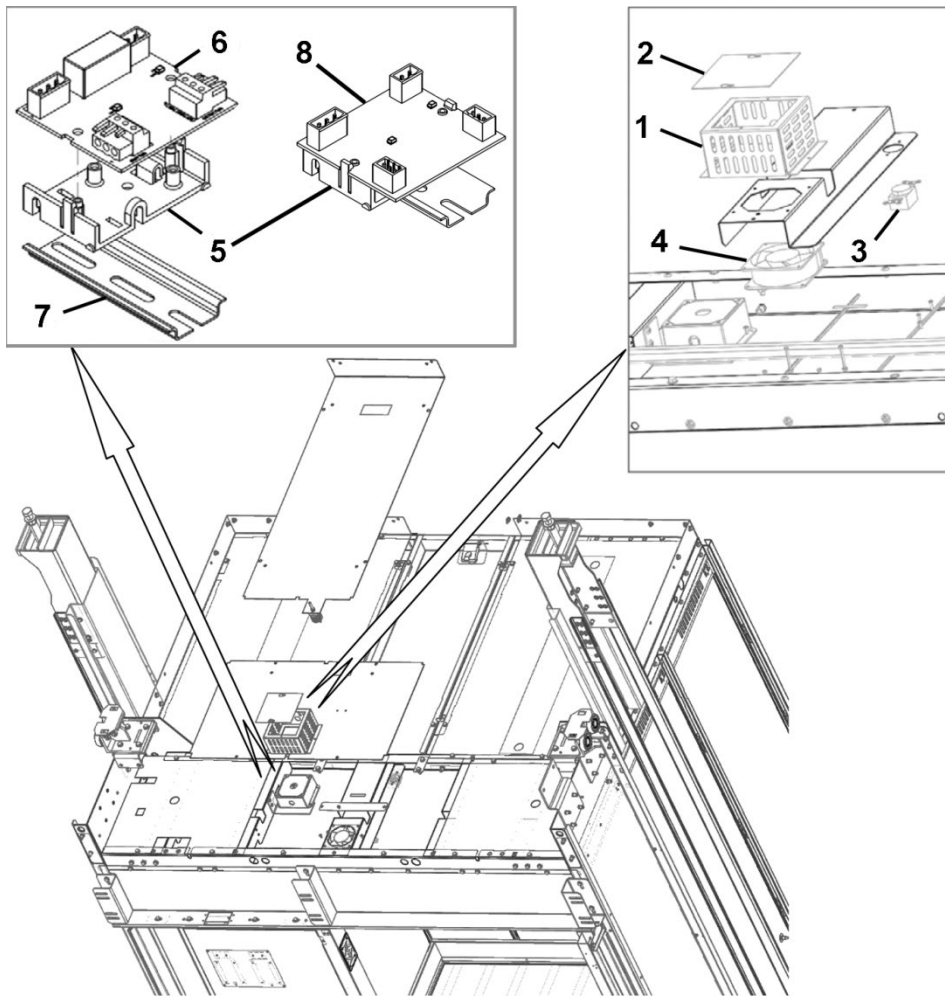
AAA29507G		
Ref. No.	Part No.	DESCRIPTION
1	AAA316JCR1	Bracket, Roller Guide Mounting
2	AAA24180AW10	Roller Guide, Bottom, SPL 14-AAA24180AW
3	AAA24180AW9	Roller Guide, Top, SPL 14-AAA24180AW
4	N0N1241M10X30-8.8Z	Screw, Hex Head, M10 x 30 mm Long
5	N0N1241M10X40-8.8Z	Screw, Hex Head, M10 x 40 mm Long

Top-of-Car Handrail

14-AAA29507G



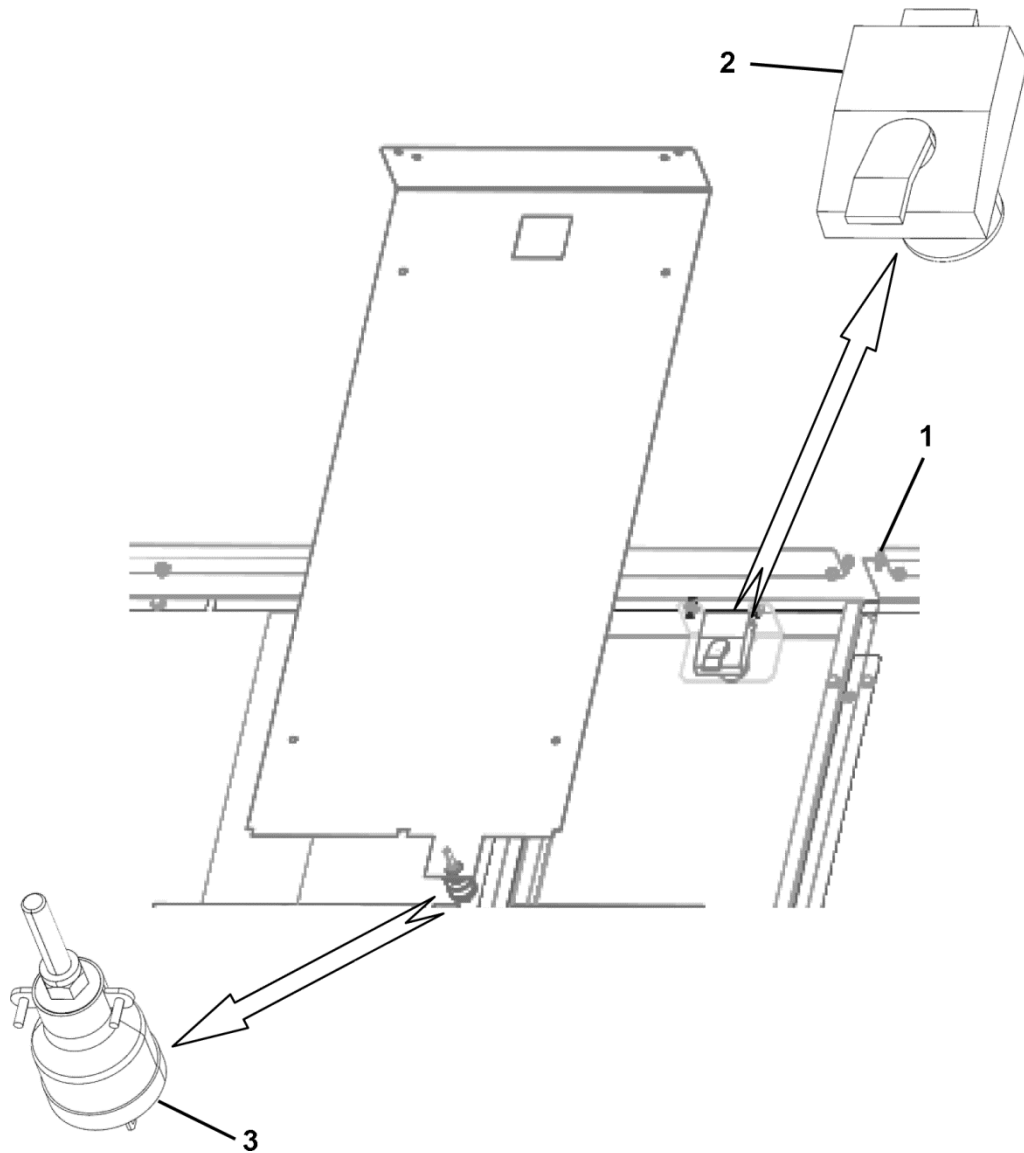
AAA29507G		
REF. No.	PART No.	DESCRIPTION
1	---	Handrail, Top-of-Car,  SPL 17-AAA25580CA



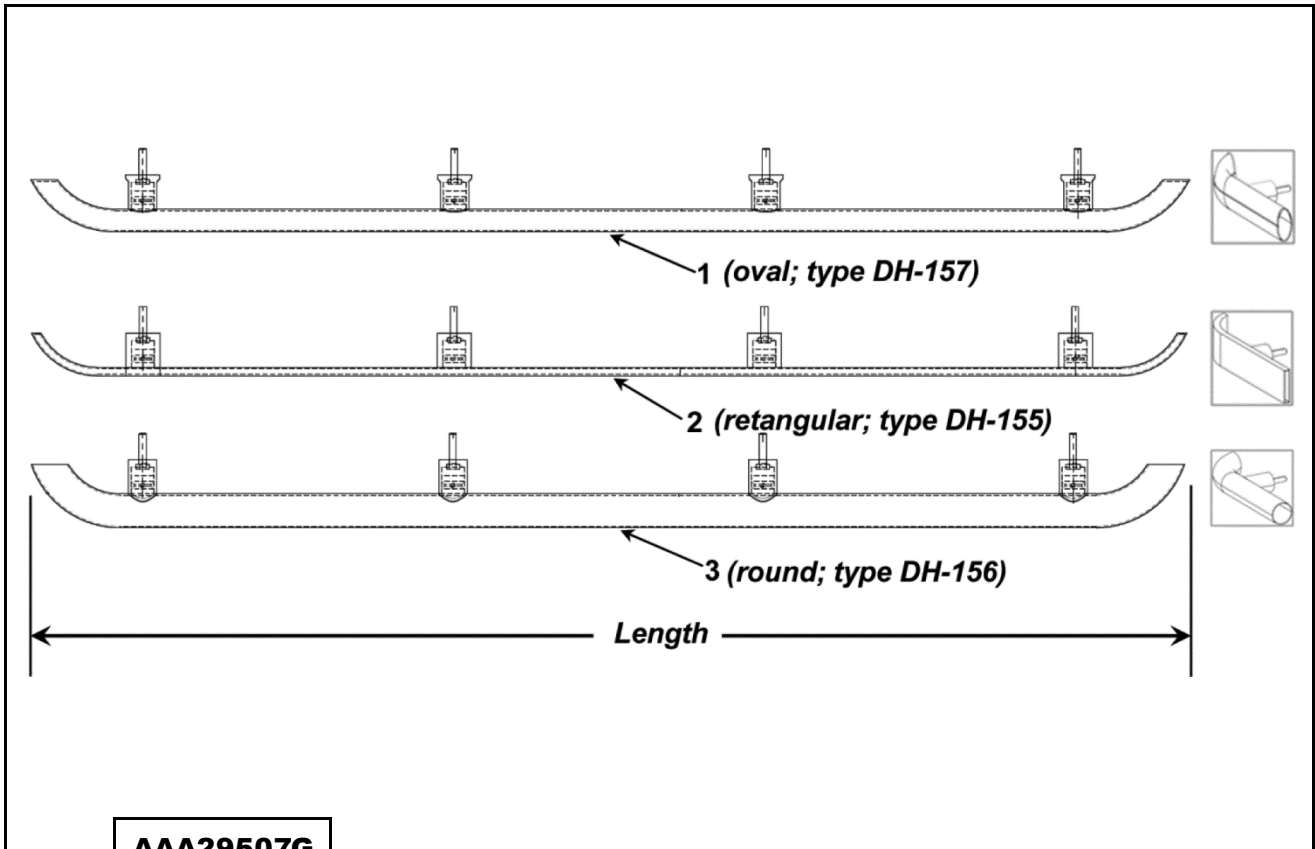
AAA29507G		
Ref. No.	Part No.	DESCRIPTION
1	AAA285PD4	Cover, Fan Box
2	AAA285PD3	Cover, Fan Top
3	AAA648C9	Electrical Outlet, Emergency Exit
4	AAA24720T10	Fan
5	AAA180FE1	Holder, PC Board
6	AAA26800APY1	PC Board, LAMBDA LC
7	401B89	Rail
8	AAA24591AM117	OPTIGUARD™ PC Board. Use only with OPTIGUARD emitter and detector.

Top-of-Car Emergency Exit

14-AAA29507G



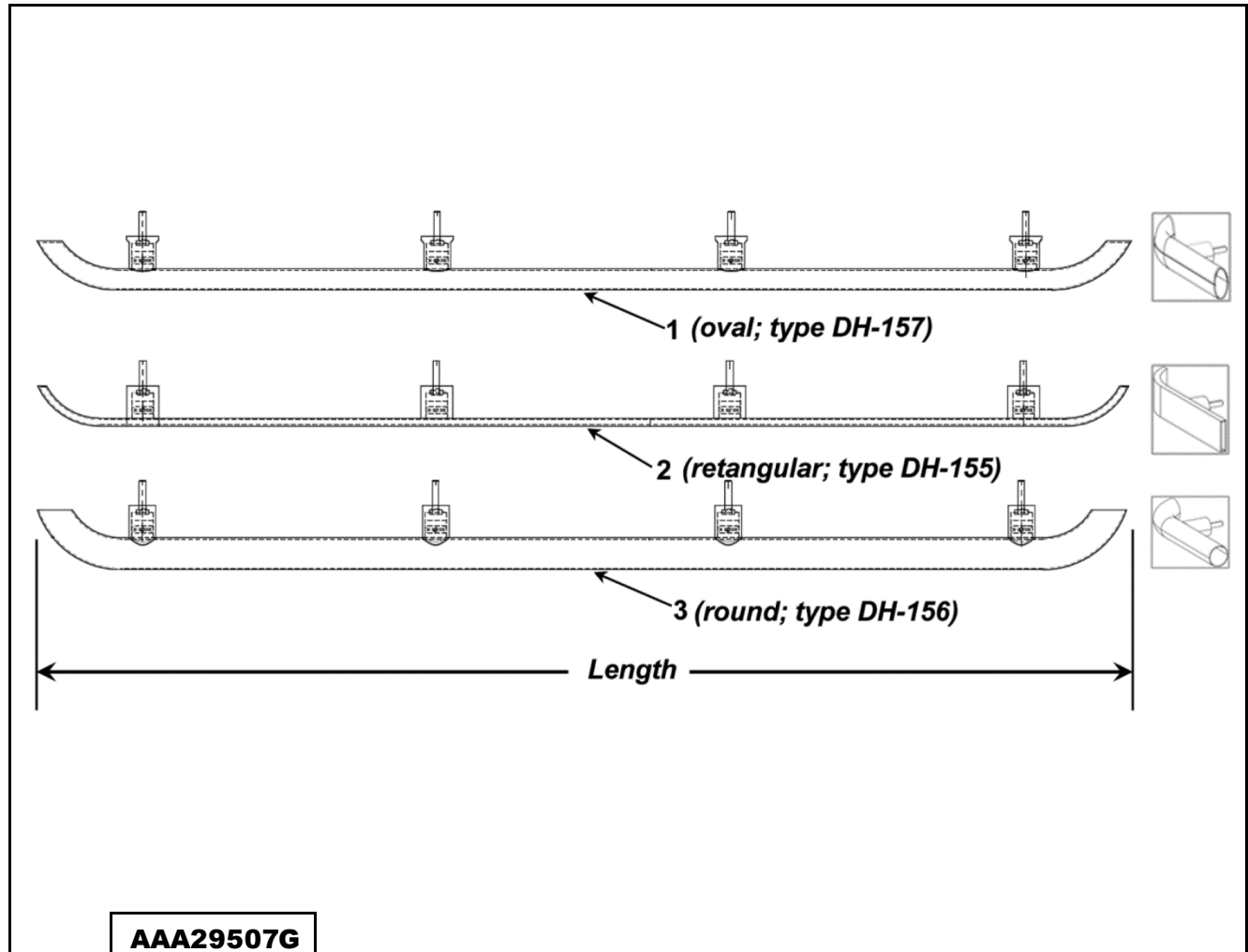
AAA29507G		
Ref. No.	Part No.	DESCRIPTION
1	AAA176HZ1	Connector
2	AAA431AM1	Lock, 5-Pin, with 2 Keys (# 1245)
	AAA431AM2	Lock, 5-Pin, with 2 Keys (# 3502). For Massachusetts Only.
3	AAA648C3	Plug, Emergency Exit



AAA29507G					
REF. No.	PART No.	FINISH	DUTIES	LENGTH	HANDRAIL SHAPE
1	AAA139BT1	Brushed Steel	2100	1515 mm (59.65 in.)	Oval, DH-157 25.4 mm x 50.8 mm (1 in. x 2 in.)
	AAA139BT2	Brushed Steel	2500, 3000, 3500	1750 mm (68.9 in.)	
2	AAA139BQ1	Brushed Steel	2100	1515 mm (59.65 in.)	Rectangular, DH-155 50.8 mm x 9.5 mm (2 in. x 0.375 in.)
	AAA139BQ2	Brushed Steel	2500, 3000, 3500	1750 mm (68.9 in.)	
	AAA139BQ15	Bronze Tinted	2100	1515 mm (59.65 in.)	
	AAA139BQ16	Bronze Tinted	2500, 3000, 3500	1750 mm (68.9 in.)	
3	AAA139BS1	Brushed Steel	2100	1515 mm (59.65 in.)	Round, DH-156 38.1 mm (1.5 in.) Diameter
	AAA139BS2	Brushed Steel	2500, 3000, 3500	1750 mm (68.9 in.)	
	AAA139BS15	Bronze Tinted	2100	1515 mm (59.65 in.)	
	AAA139BS16	Bronze Tinted	2500, 3000, 3500	1750 mm (68.9 in.)	

In-Car Handrails, Side

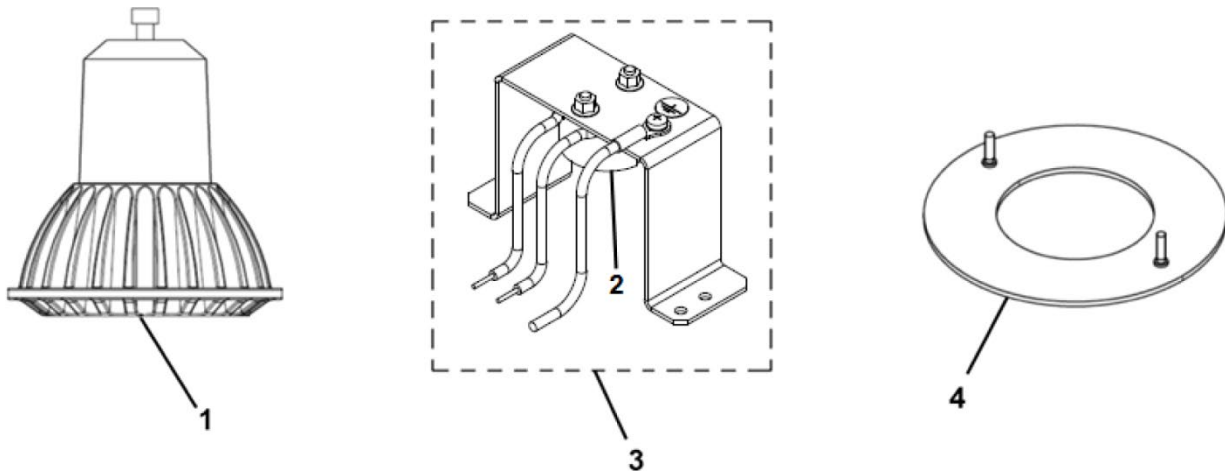
14-AAA29507G



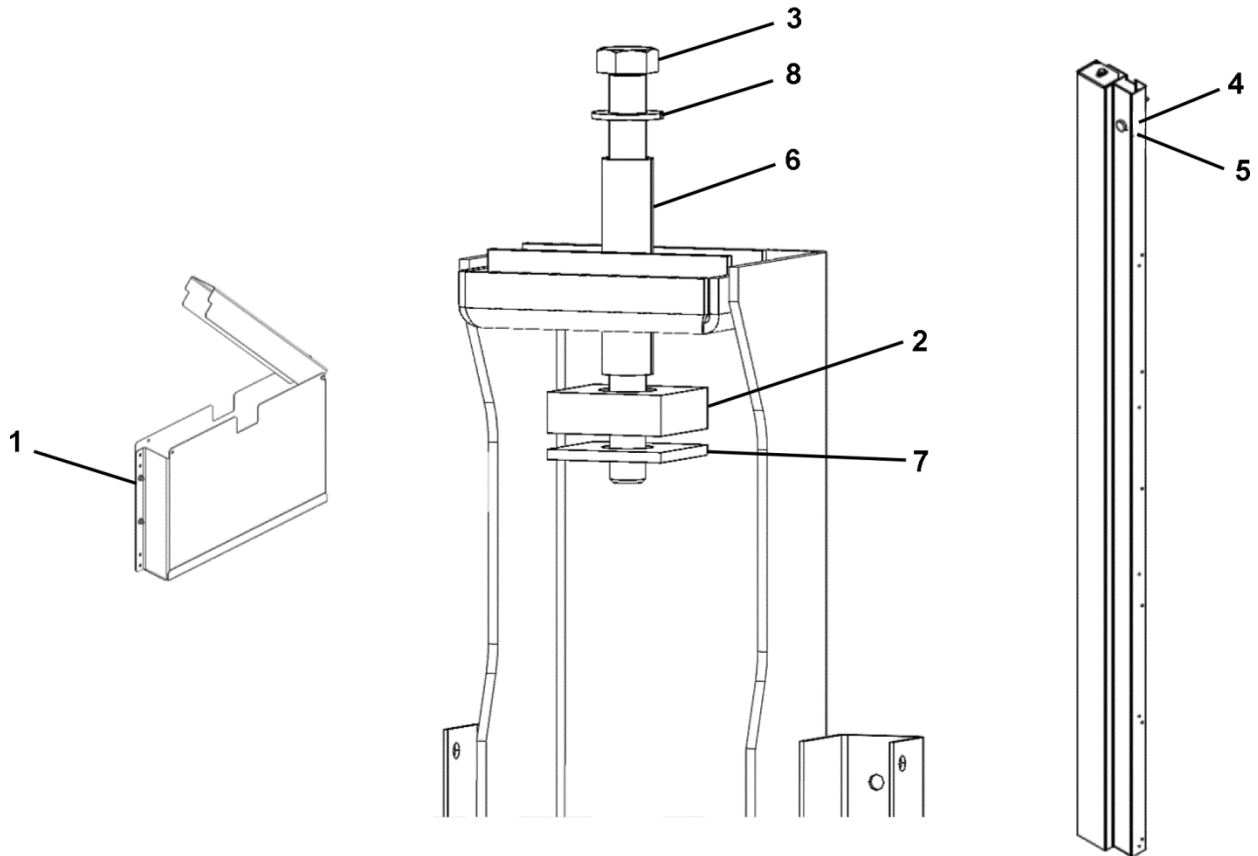
AAA29507G					
REF. No.	PART No.	FINISH	DUTIES	LENGTH	HANDRAIL SHAPE
1	AAA139BT3	Brushed Steel	2100, 2500	1074 mm (42.28 in.)	Oval. DH-157 25.4 mm x 50.8 mm (1 in. x 2 in.)
	AAA139BT4	Brushed Steel	3000	1293 mm (50.9 in.)	
	AAA139BT5	Brushed Steel	3500	1430 mm (56.3 in.)	
2	AAA139BQ3	Brushed Steel	2100, 2500	1074 mm (42.28 in.)	Rectangular. DH-155 50.8 mm x 9.5 mm (2 in. x 0.375 in.)
	AAA139BQ4	Brushed Steel	3000	1293 mm (50.9 in.)	
	AAA139BQ5	Brushed Steel	3500	1430 mm (56.3 in.)	
	AAA139BQ17	Bronze Tinted	2100, 2500	1074 mm (42.28 in.)	
	AAA139BQ18	Bronze Tinted	3000	1293 mm (50.9 in.)	
	AAA139BQ19	Bronze Tinted	3500	1430 mm (56.3 in.)	
3	AAA139BS3	Brushed Steel	2100, 2500	1074 mm (42.28 in.)	Round. DH-156 38.1 mm Diameter (1.5 in.)
	AAA139BS4	Brushed Steel	3000	1293 mm (50.9 in.)	
	AAA139BS5	Brushed Steel	3500	1430 mm (56.3 in.)	
	AAA139BS17	Bronze Tinted	2100, 2500	1074 mm (42.28 in.)	
	AAA139BS18	Bronze Tinted	3000	1293 mm (50.9 in.)	
	AAA139BS19	Bronze Tinted	3500	1430 mm (56.3 in.)	

14-AAA29507G

Drop Ceiling Light Bulb, Light Socket, and Trim Ring



AAA29507G		
Ref. No.	Part No.	DESCRIPTION
1	AAA417CX1	Bulb, LED
2	AAA618BD5	Socket, Light
3	AAA458K1 AAA458K2	Socket, Light, w/ Frame
4	AAA458H2	Trim Ring



AAA29507G		
Ref. No.	Part No.	DESCRIPTION
1	AAA308ABY1	Box, for Wiring Diagram (located on top-of-car handrail)
2	310JJ6	Block, Isolation
3	BTFH 7/8X10ZP	Bolt, Hex Head, 7/8 x 10 in. Long (22.2 x 254 mm) , 2-Stage Telescopic
	BTFH 3/4X3-1/2ZP	Bolt, Hex Head, 3/4 x 3-1/2 in. Long (19 x 89 mm) , Single-Stage Holeless
4	320CV2	Bumper, Strike
5	ISO1234-2x40Z	Pin, Cotter, 2 mm Dia., 40 mm Long
6	377CH53	Pipe, 1.25 in. (31.8 mm) O.D., 11.8 in. (300 mm) Long, 2-Stage telescopic
	377CH50	Pipe, 0.75 in. (19 mm) O.D., 2.5 in. (63.5 mm) Long, Single-Stage Holeless
7	127XA69	Washer, Steel
8	WSR SAE7/8ZP	Washer, 7/8 in. (22.2 mm) Flat, 2-Stage Telescopic
	WSR SAE3/4ZP	Washer, 3/4 in. (19 mm) Flat, Single-Stage Holeless