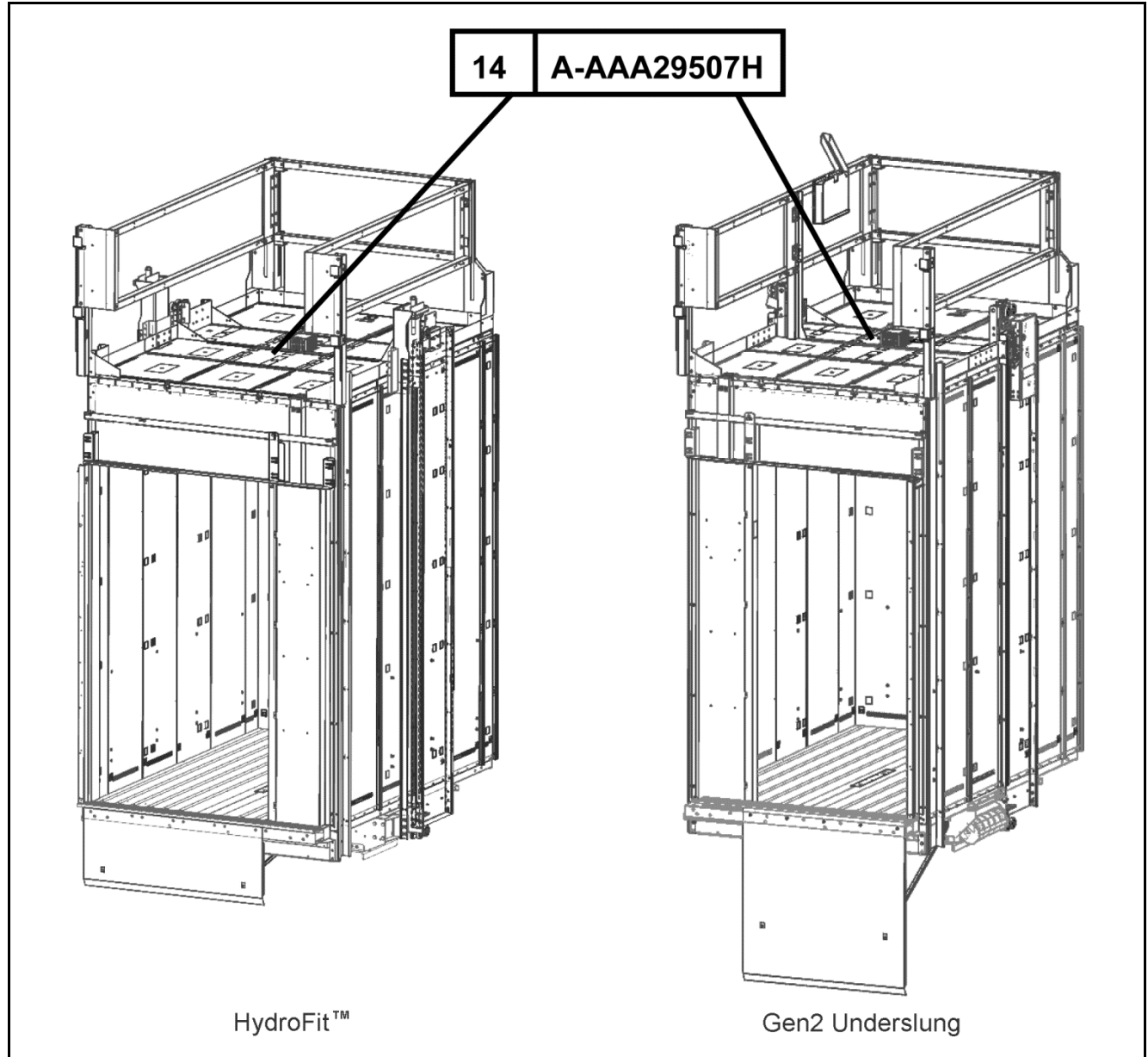


**Gen2 Underslung and
HydroFit Service Carframes
(4000–5000 lb. Duties)**

**Spare Parts Leaflet
14-AAA29507H**

September 2, 2015 / Page 1 of 20



OTIS

SERVICE ENGINEERING
Otis Elevator Company
Bloomfield, Connecticut USA

Unpublished Work—© Otis Elevator Co.; 2015

Leaflet Description

This spare parts leaflet covers the car frame spare parts used on the Gen2 Service Duty cabframes (also known as the Gen2 Underslung or G2S) and the HydroFIT Service Duty carframes, 4000–5000 lb. duties.

Leaflet Revisions

Date Revised	Subject Matter Expert	Reason for Revision
January 8, 2014	Kyle Pereira and Rich Blakelock	New SPL
July 16, 2014	Kyle Pereira	Corrected p. 12
July 30, 2014	Kyle Pereira	Updated references 1 and 2 on p. 6
September 2, 2015	Kyle Pereira	Updated p. 19

Related Drawings

Drawing No.	Title	Drawing No.	Title
AAA29507H_TDS	G2S/HF Service Duty Technical Data Sheets	AAA29503B_TDS	Gen2 150 Cab TDS

Related Documents

Document ID	Title	Document ID	Title
SPL 15-TAA20641J	<i>Governor</i>	SPL 14-AAA20780Y	<i>Integrated Sheave Kit</i>
SPL 14-AAA24180BC	<i>Roller Guides</i>	SPL 14-KAA24120AAJ	<i>P45A Progressive Safety - ASME A17.1 Applications</i>
SPL 14-AAA24180BE	<i>Roller Guides</i>	SPL 17-AAA25580CM	<i>Top-of-Car Handrail</i>

Subject Matter Expert

Name	Department
Kyle Pereira	OSC Service Engineering

About Spare Parts Leaflets...

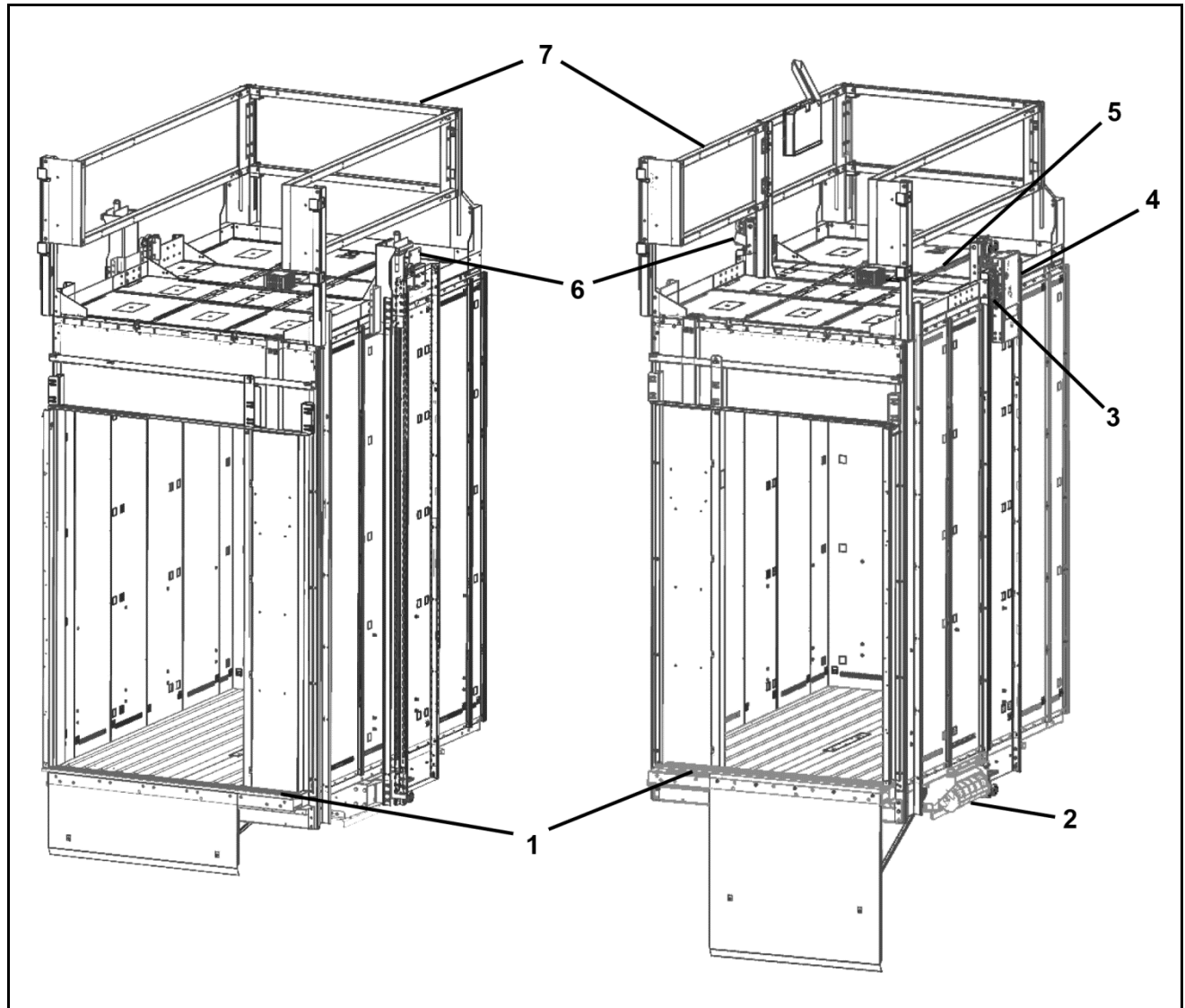
This document lists the lowest replaceable units (LRUs) for the standard version of the product. The LRUs are chosen by a team of Otis associates representing engineering and manufacturing.

While goal of this document is to make parts identification as easy as possible, the document cannot be all-inclusive. Elevator and escalator contracts classified as “special” or “custom” are not addressed here. For such contracts, please refer to specified information, the contract folder, TIPs, Field Education Articles, Construction Letters, etc. for further information.

If you have any suggestions about this document, please contact the subject matter expert listed on this page.

Table of Contents

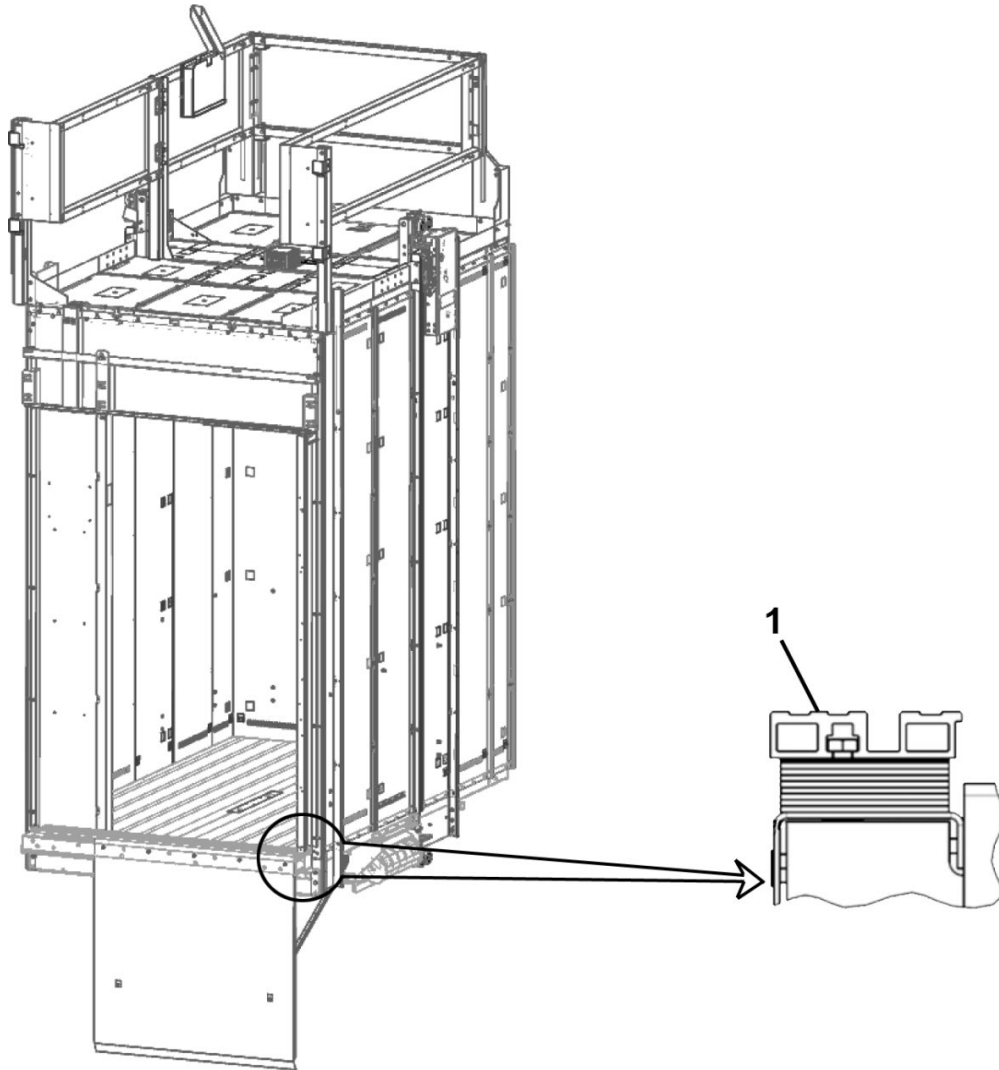
14-AAA29507H



REF. No.	PAGE No.	DESCRIPTION
1	4	Threshold and Shim
2	6	Sheave Assembly
3	7	Safeties
4	8	Governor
5	9	Safety Linkages
6	11	Roller Guides
7	12	Top-of-Car Handrail
---	13	Crosshead Electrical Components (not shown)
---	15	Handrails & Bumper Rails, In Car (not shown)
---	19	Drop Ceiling (Light Bulb, Light Socket, and Ring) (not shown)
---	20	Miscellaneous Spare Parts (not shown)

14-AAA29507H

Threshold

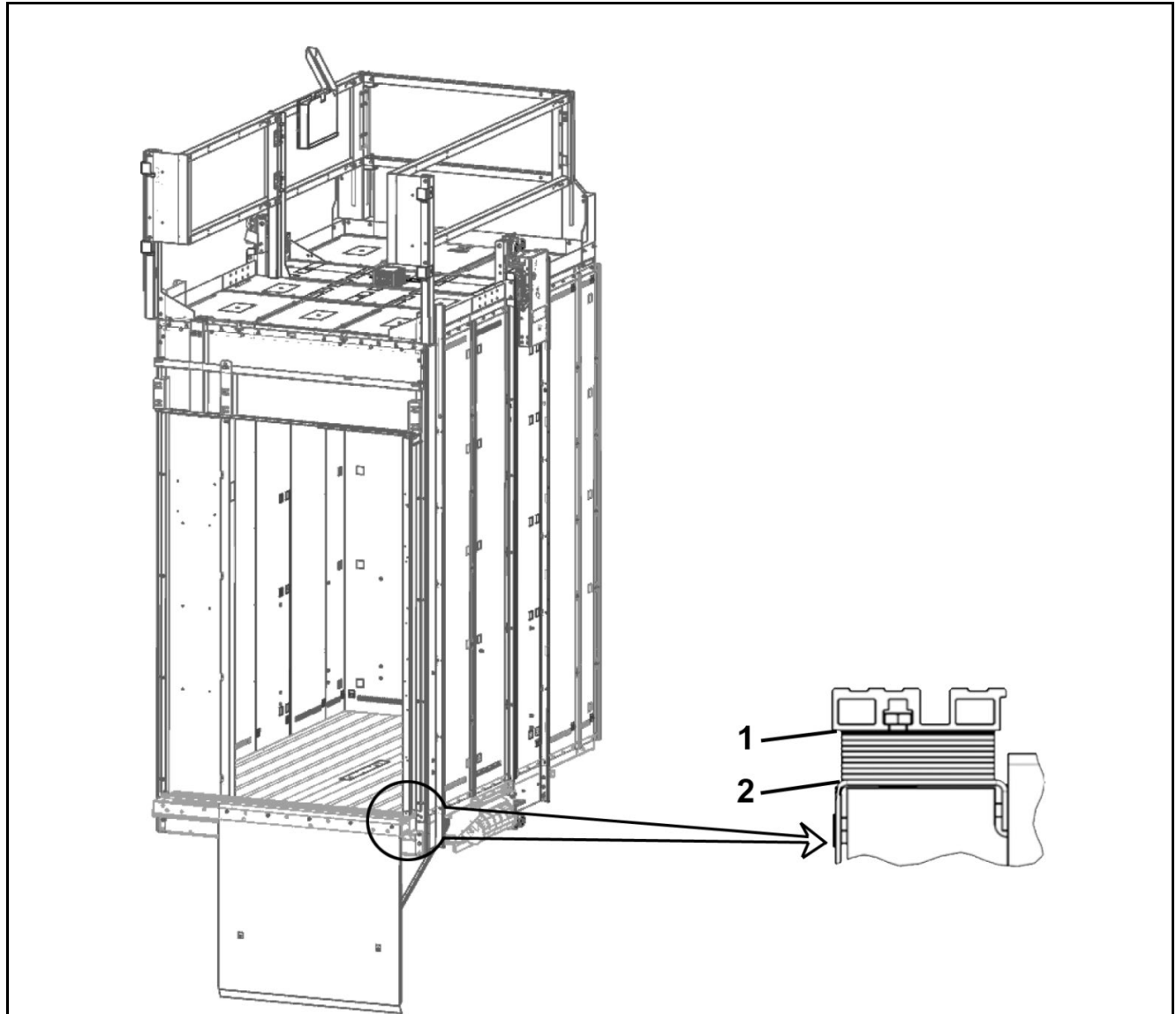


AAA29507H						
REF. No.	PART No.	DESCRIPTION	MATERIAL	OPENING TYPE	OPENING WIDTH	LENGTH
1	AAA280BJ11	Threshold	Aluminum	Two-Speed	48 in. (1219 mm)	65.5 in. (1664 mm)
	AAA280BJ14				54 in. (1372 mm)	73 in. (1855 mm)
	AAA280BJ22	Shape, Threshold, No Holes/Slots			N/A	73 in. (1855 mm)
	AAA280BN11	Threshold	Bronze		48 in. (1219 mm)	65.5 in. (1664 mm)
	AAA280BN14				54 in. (1372 mm)	73 in. (1855 mm)
	AAA280BN22	Shape, Threshold, No Holes/Slots			N/A	73 in. (1855 mm)
	AAA280BM11	Threshold	Nickel Silver		48 in. (1219 mm)	65.5 in. (1664 mm)
	AAA280BM14				54 in. (1372 mm)	73 in. (1855 mm)
	AAA280BM22	Shape, Threshold, No Holes/Slots			N/A	73 in. (1855 mm)

(Continued on next page)

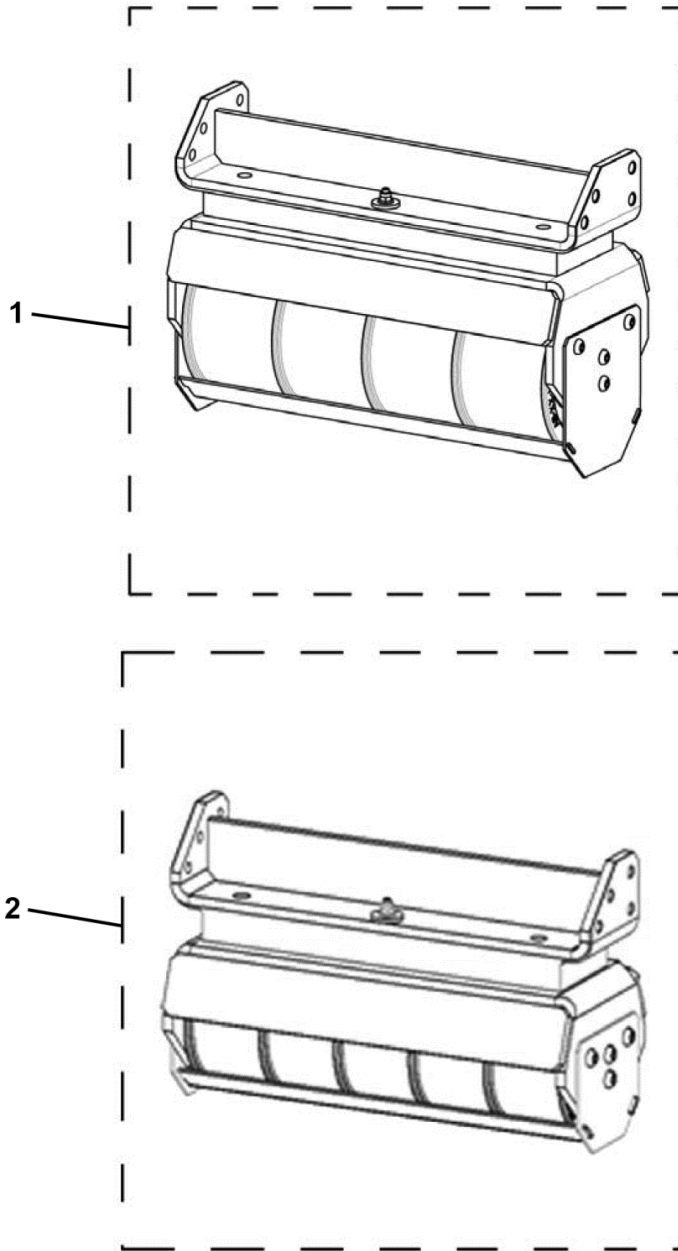
Threshold Shim

14-AAA29507H

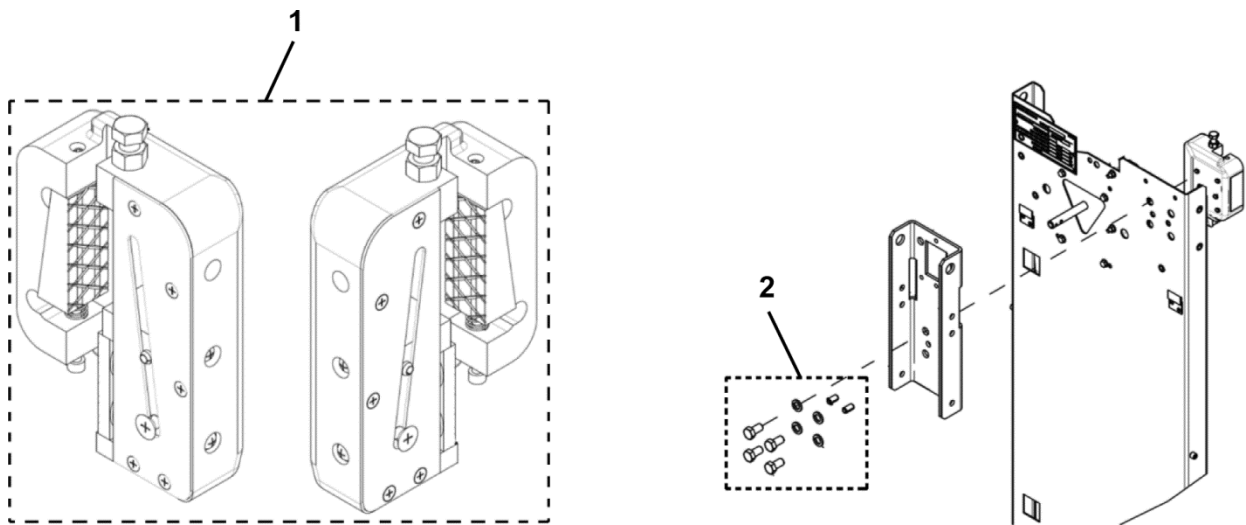



AAA29507H						
REF. No.	PART No.	DESCRIPTION	THICKNESS	OPENING TYPE	LENGTH	ENTRANCE WIDTH
1	AAA255QB1	Shim, 12 GA	0.11 in. (2.75 mm)	Two-Speed	62.24 in. (1580.8 mm)	1219
	AAA255QB3				69.76 in. (1772 mm)	
2	AAA255QB2	Shim, 20 GA	0.04 in. (1.0 mm)		62.24 in. (1580.8 mm)	1372
	AAA255QB4				69.76 in. (1772 mm)	

Sheave Assembly

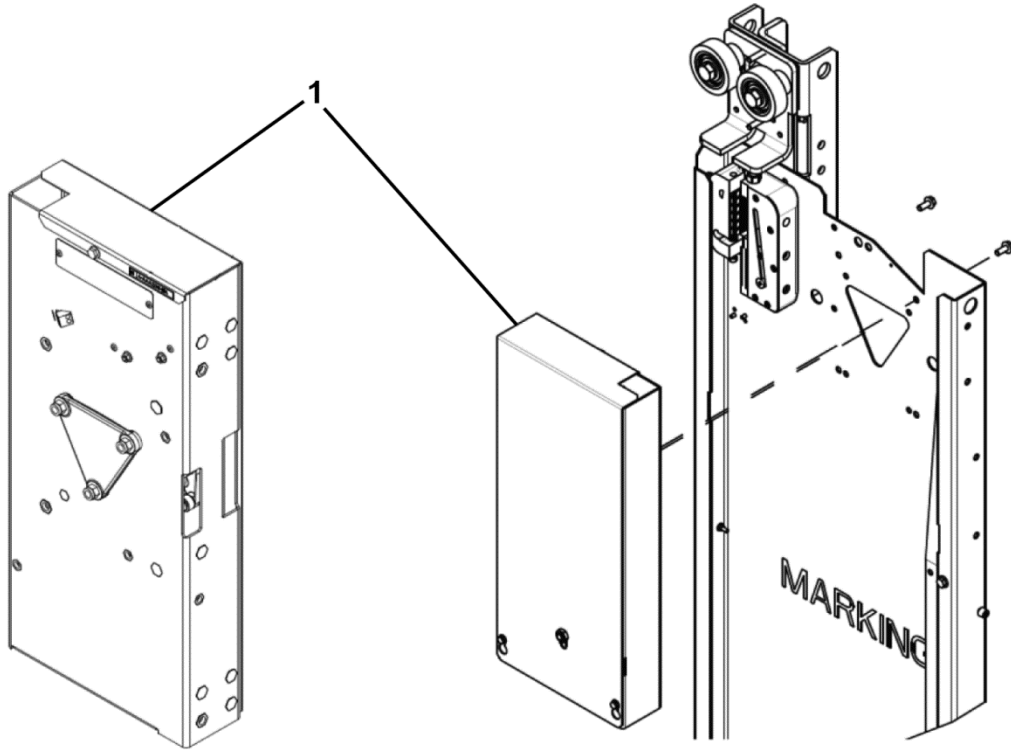


AAA29507H			
REF. No.	PART No.	DESCRIPTION	NOTE
1	AAA20780Z1 ABA20780Z1	Assembly, Sheave and Housing, 4 Grooves, 64 kN	For additional service parts detail, 👁️ SPL 14-AAA20780Y
2	AAA20780Z2 ABA20780Z2	Assembly, Sheave and Housing, 5 Grooves, 64 kN	
---	NON1241M10X20-8.8Z	Bolt, Mounting, M10X20 (8 required; not shown)	



AAA29507H		
REF. No.	PART No.	DESCRIPTION
1	---	Assembly, Safety Kit,  SPL 14-KAA24120AAJ
2	AAA29507E425	Kit, Safety Mounting Hardware; Includes (8) M16X30 Bolts and (8) M16 Spring Lockwashers

Governor



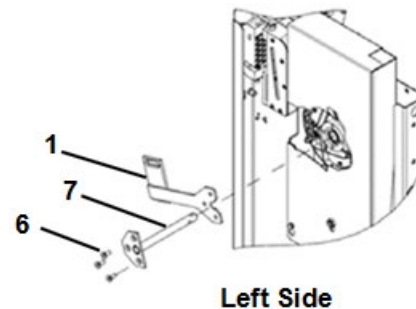
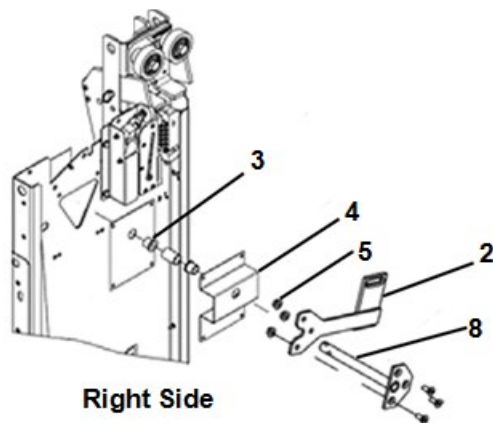
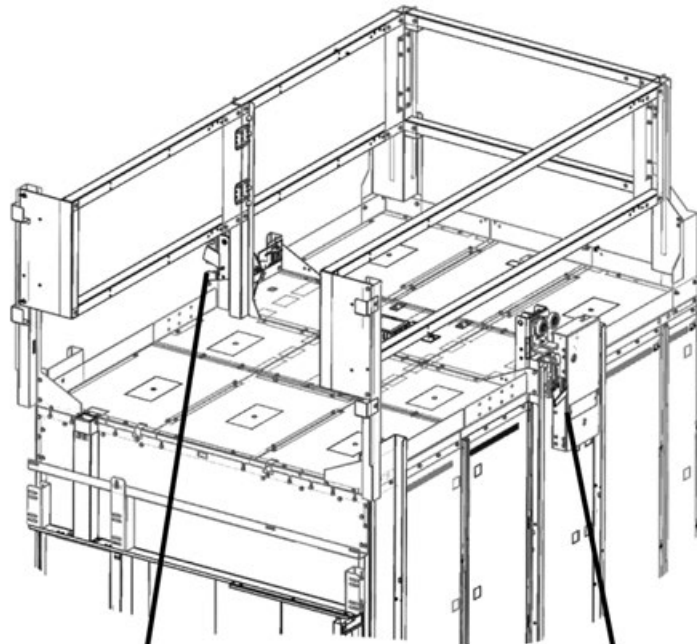
Governor: Back View

**Governor: Front View,
Attaching to Upright**

AAA29507H		
REF. No.	PART No.	DESCRIPTION
1	---	Governor, Manual and Remote Set, 150 and 200 fpm 👁 SPL 15-TAA20641J

Safety Linkages

14-AAA29507H

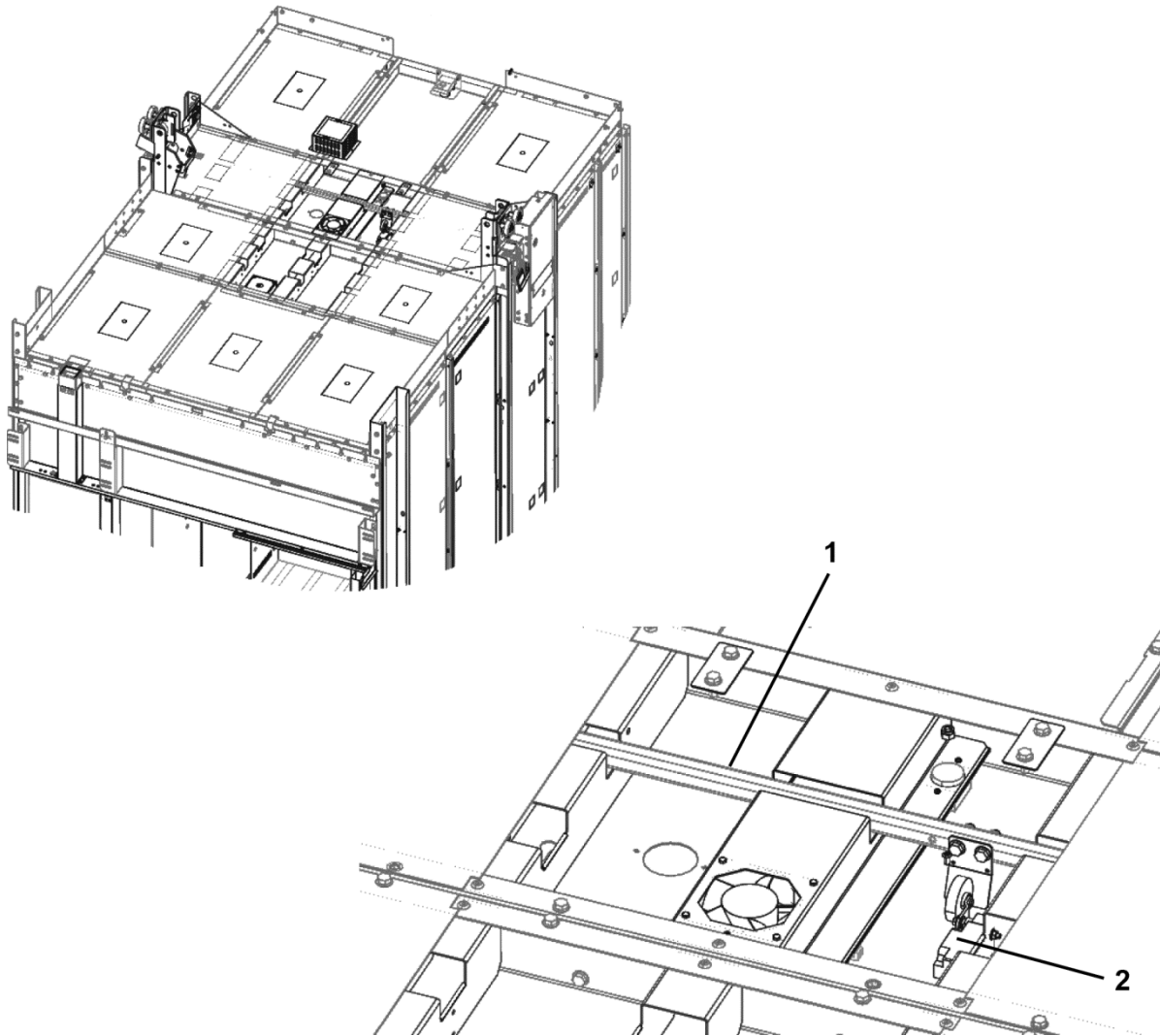


AAA29507H		
REF. No.	PART No.	DESCRIPTION
1	ABA288AED2	Arm, Safety Lever, Left Side
2	ABA288AED1	Arm, Safety Lever, Right Side
3	AAA321LL1	Bushing
4	AAA315ADS1	Channel, Formed
5	NON7201M8-8-B	Nut, M8 Hex Nut w/ Serrated Flange
6	ISO10642M8X20-10.9B	Screw, Hexagon Socket Countersunk Head
7	ACA288AEL2	Shaft, Safety Lever, Left Side
8	ACA288AEL1	Shaft, Safety Lever, Right Side

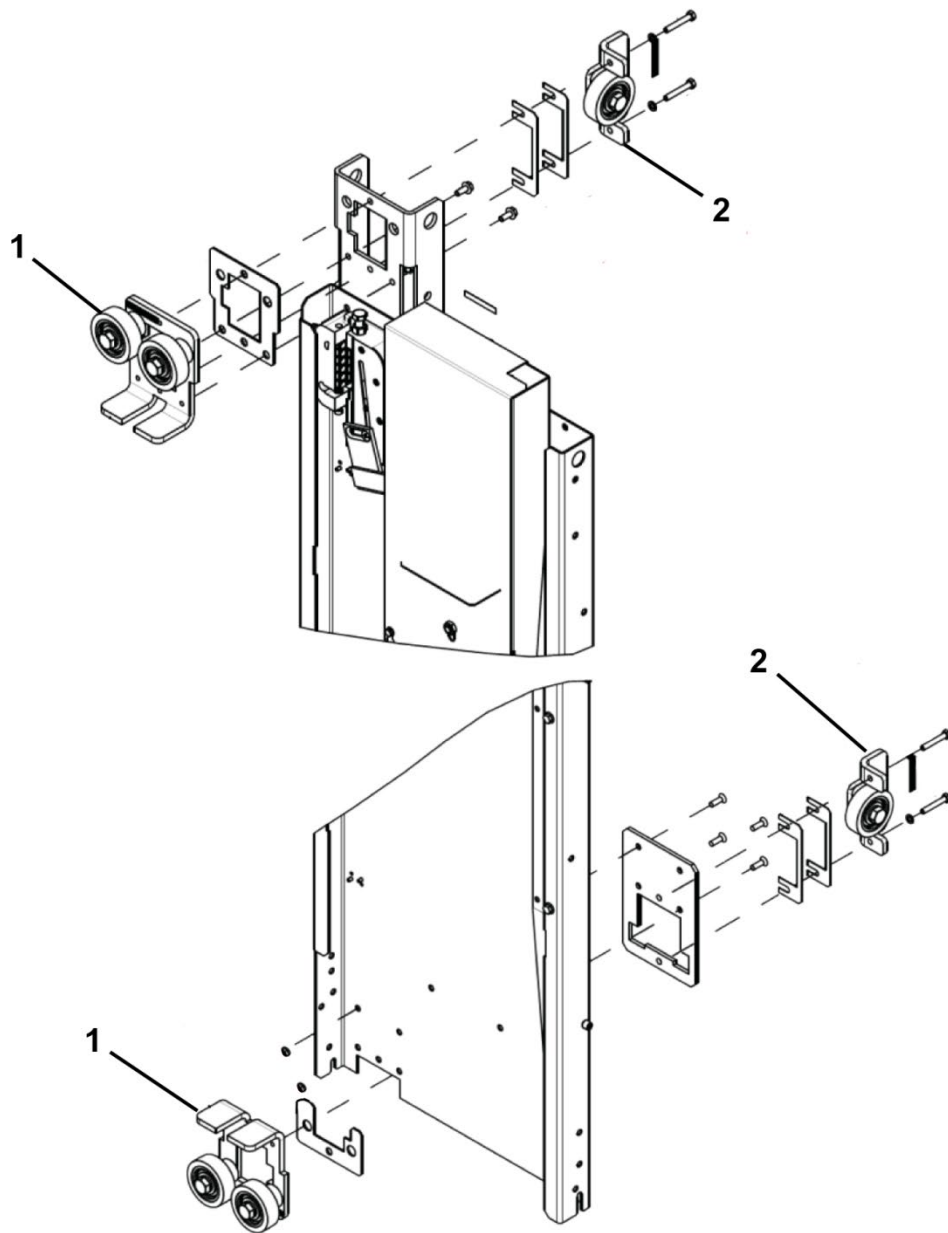
(Continued on next page)

Safety Linkages

14-AAA29507H



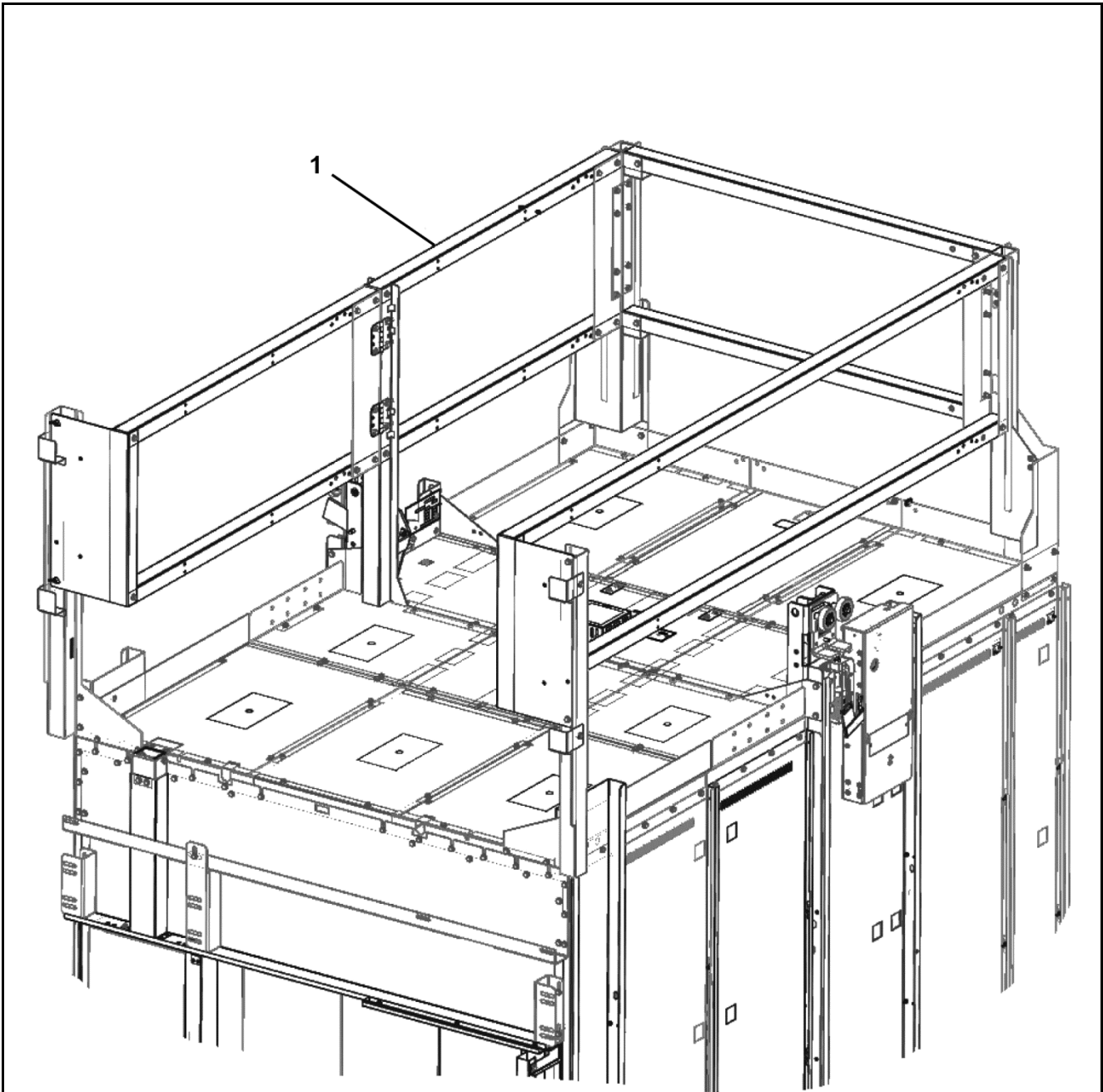
AAA29507H		
REF. No.	PART No.	DESCRIPTION
1	ABA377HB4	Assembly, Safety Linkage Shaft, 4000, 4500 lb. Duties, Length = 1568 mm (61.75 in.)
	ABA377HB5	Assembly, Safety Linkage Shaft, 5000 lb. Duty, Length = 1714 mm (67.5 in.)
	ABA377HB6	Assembly, Safety Linkage Shaft, 5000 lb. (AIA) Duty, Length = 1600 mm (63.0 in.)
2	AAA22800T3	Switch, SOS




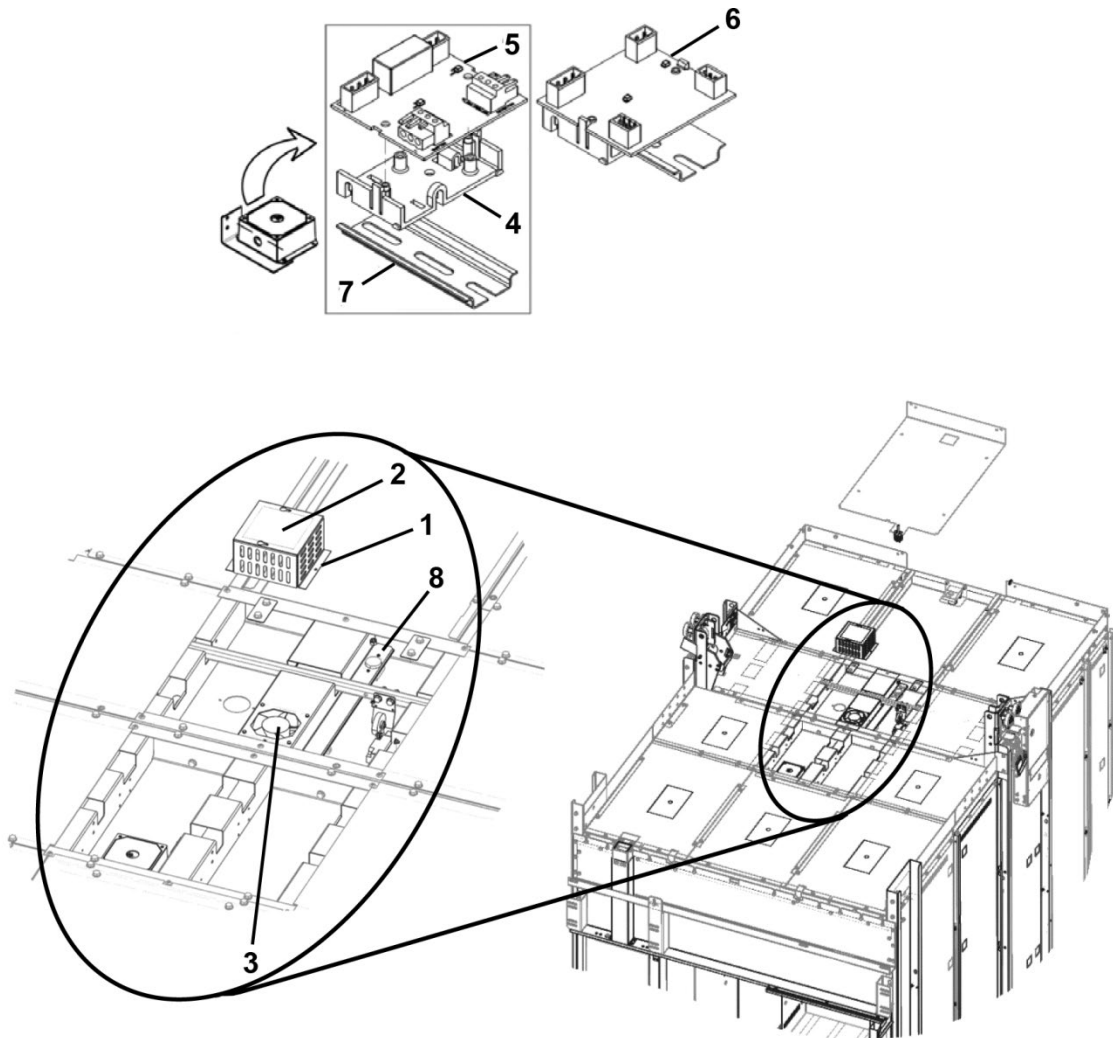
AAA29507H		
REF. No.	PART No.	DESCRIPTION
1	---	Rollers, Front and Back, SPL 14-AAA24180BC
2	---	Rollers, Post, SPL 14-AAA24180BE

Top-of-Car Handrail

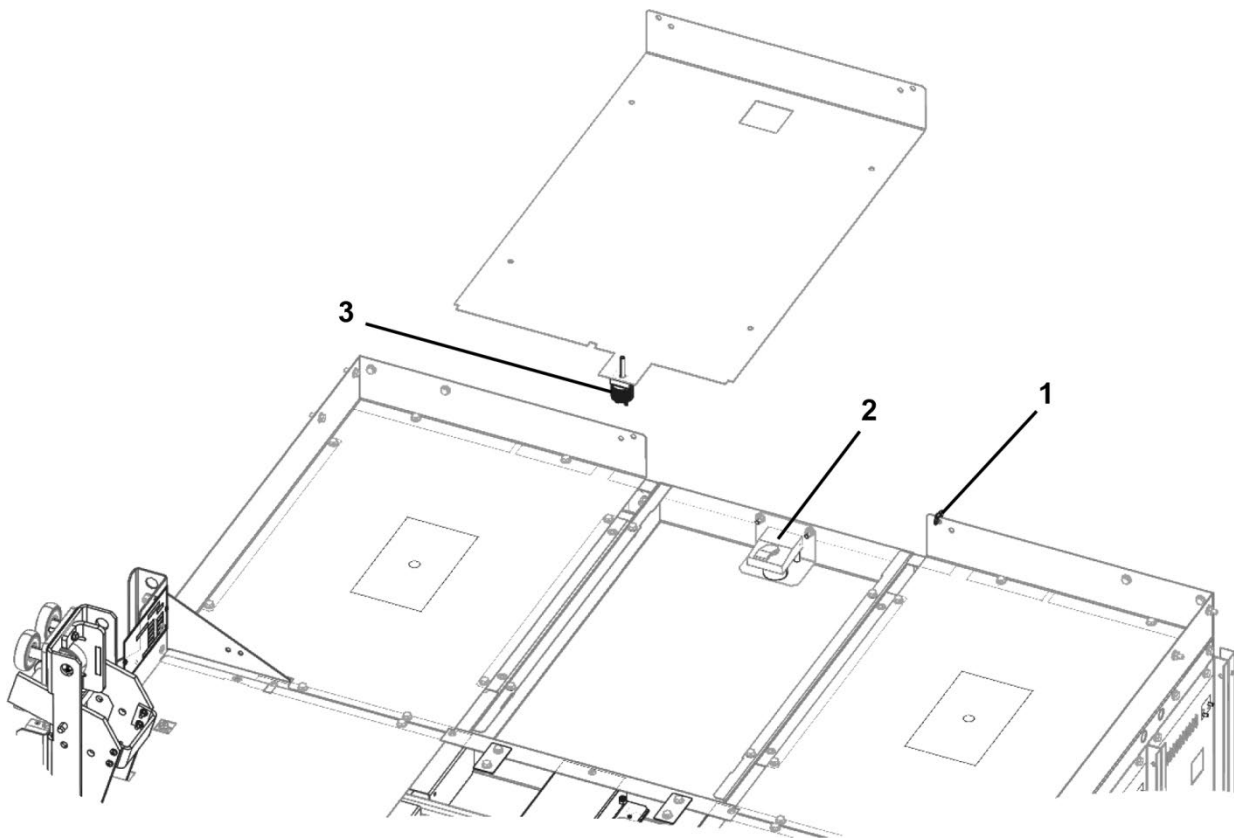
14-AAA29507H



REF. No.	PART No.	DESCRIPTION
1	---	Handrail, Top-of-Car; Type AAA25580CM,  17-AAA25580CA



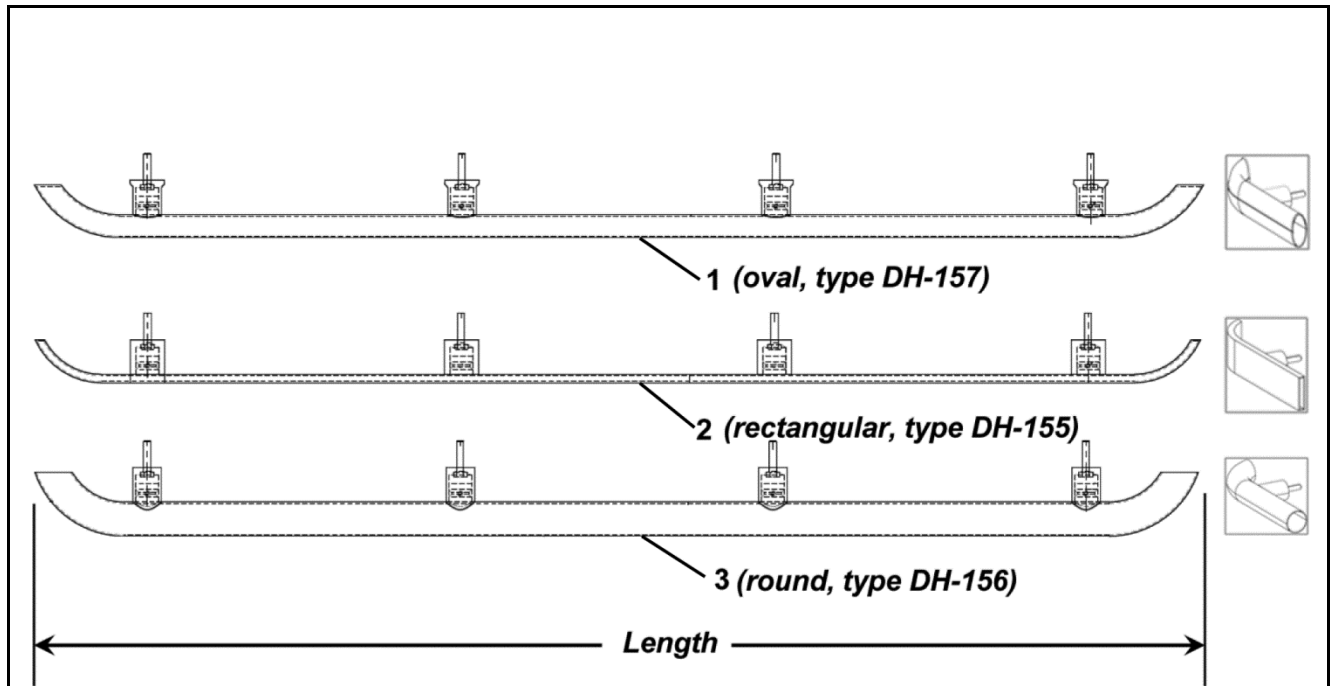
AAA29507H		
REF. No.	PART No.	DESCRIPTION
1	AAA285PD4	Cover, Fan Box
2	AAA285PD3	Cover, Fan Top
3	AAA24720T10	Fan
4	AAA180FE1	Holder, PC Board
5	AAA26800APY1	PC Board, LAMBDA® LC
6	AAA24591AM117	PC Board, OPTIGUARD™
7	401B89	Rail
8	618AD1	Socket, Emergency Exit



AAA29507H		
REF. No.	PART No.	DESCRIPTION
1	AAA176HZ1	Connector
2	AAA431AM1	Lock, 5-Pin, w/ 2 Keys (#1245)
	AAA431AM2	Lock, 5-Pin, w/ 2 Keys (#3502). For Massachusetts Only.
3	AAA648C3	Plug, Emergency Exit

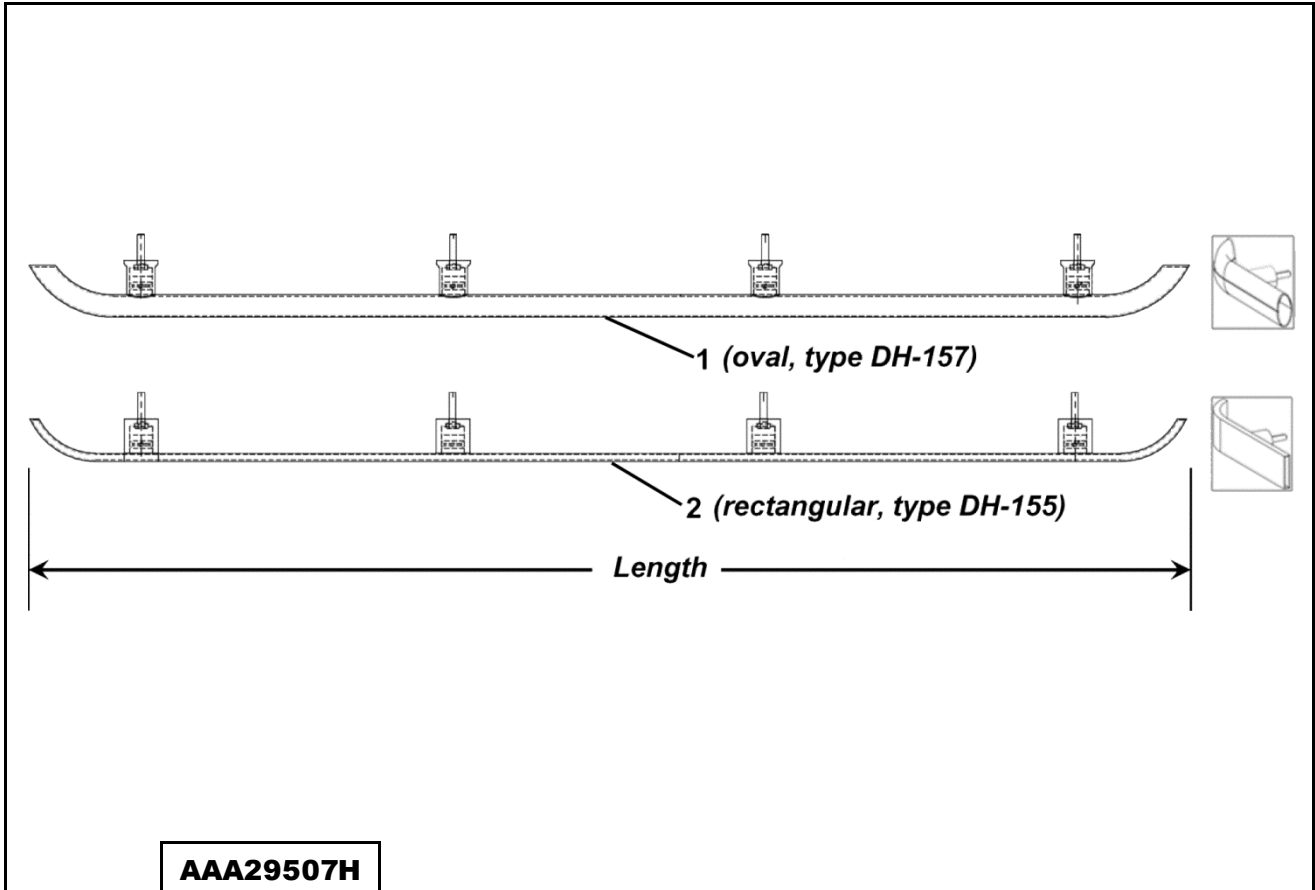
In-Car Handrails, Rear

14-AAA29507H



AAA29507H					
REF. No.	PART No.	FINISH	DUTIES	LENGTH	HANDRAIL SHAPE
1	AAA139BT7	Brushed Steel	4000, 4500	56.9 in. (1445 mm)	Oval, DH-157, 24.5 x 50.8 mm (1 x 2 in.)
	AAA139BT8		5000	62.65 in. (1591 mm)	
	AAA139BT9		5000 (AIA)	58.15 in. (1477 mm)	
2	AAA139BQ21	Bronze Tinted	4000, 4500	56.9 in. (1445 mm)	Rectangular, DH-155, 50.8 x 9.5 mm (2 x 0.375 in.)
	AAA139BQ22		5000	62.65 in. (1591 mm)	
	AAA139BQ23		5000 (AIA)	58.15 in. (1477 mm)	
	AAA139BQ7	Brushed Steel	4000, 4500	56.9 in. (1445 mm)	
	AAA139BQ8		5000	62.65 in. (1591 mm)	
	AAA139BQ9		5000 (AIA)	58.15 in. (1477 mm)	
3	AAA139BS21	Bronze Tinted	4000, 4500	56.9 in. (1445 mm)	Round, DH-156, 38.1 mm (1.5 in.) Diameter
	AAA139BS22		5000	62.65 in. (1591 mm)	
	AAA139BS23		5000 (AIA)	58.15 in. (1477 mm)	
	AAA139BS7	Brushed Steel	4000, 4500	56.9 in. (1445 mm)	
	AAA139BS8		5000	62.65 in. (1591 mm)	
	AAA139BS9		5000 (AIA)	58.15 in. (1477 mm)	

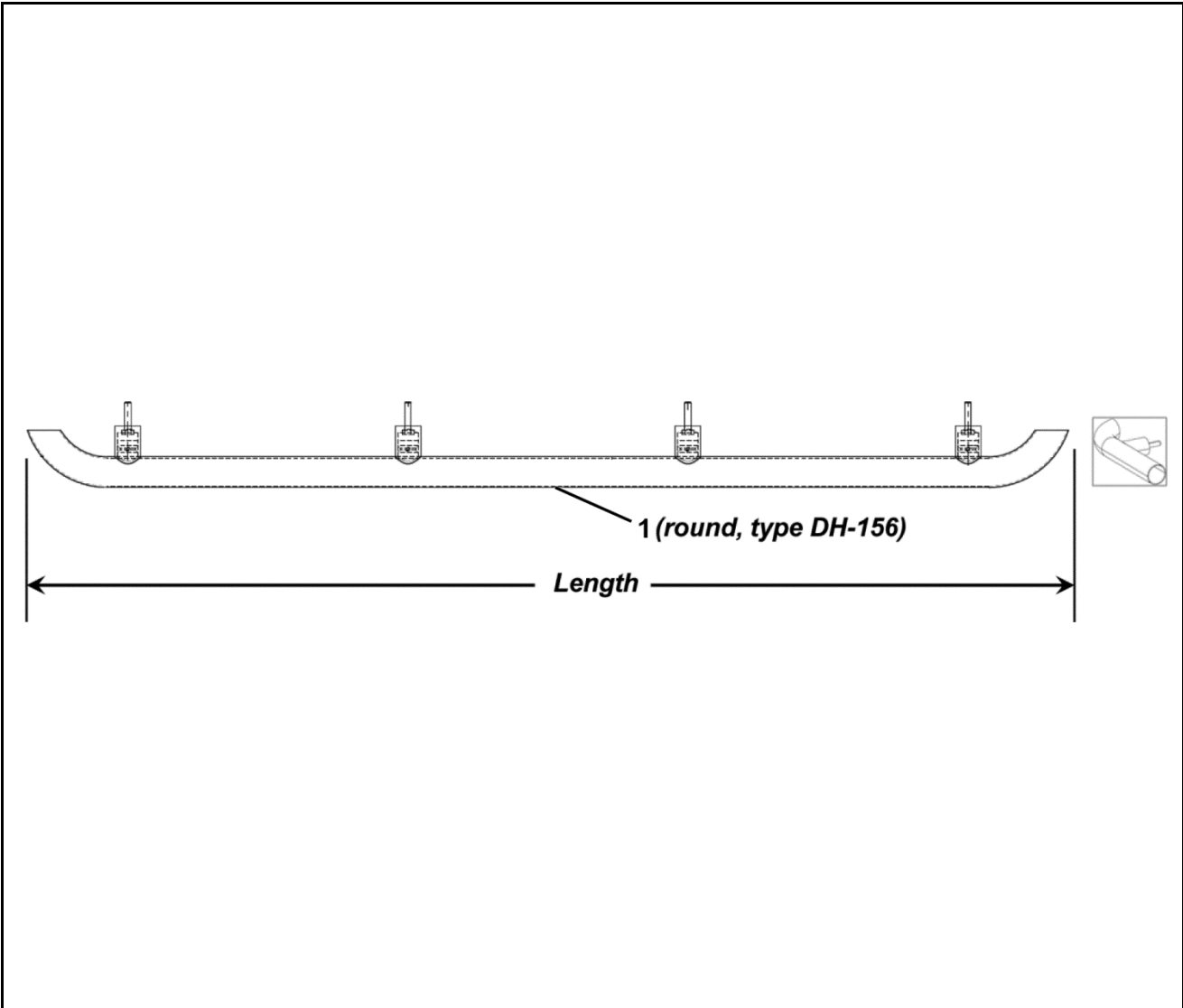
In-Car Handrails, Side



AAA29507H					
REF. No.	PART No.	FINISH	DUTIES	LENGTH	HANDRAIL SHAPE
1	AAA139BT10	Brushed Steel	4000	79.65 in. (2023 mm)	Oval, DH-157, 24.5 x 50.8 mm (1 x 2 in.)
	AAA139BT11		4000	79.65 in. (2023 mm)	
	AAA139BT12		4500	85.65 in. (2176 mm)	
	AAA139BT13		5000	90.9 in. (2309 mm)	
	AAA139BT14		5000 (AIA)	98.15 in. (2493 mm)	
2	AAA139BQ24	Bronze Tinted	4000	79.65 in. (2023 mm)	Rectangular, DH-155, 50.8 x 9.5 mm (2 x 0.375 in.)
	AAA139BQ25		4000	79.65 in. (2023 mm)	
	AAA139BQ26		4500	85.65 in. (2176 mm)	
	AAA139BQ27		5000	90.9 in. (2309 mm)	
	AAA139BQ28		5000 (AIA)	98.15 in. (2493 mm)	
	AAA139BQ10	Brushed Steel	4000	79.65 in. (2023 mm)	
	AAA139BQ11		4000	79.65 in. (2023 mm)	
	AAA139BQ12		4500	85.65 in. (2176 mm)	
	AAA139BQ13		5000	90.9 in. (2309 mm)	
	AAA139BQ14		5000 (AIA)	98.15 in. (2493 mm)	

14-AAA29507H

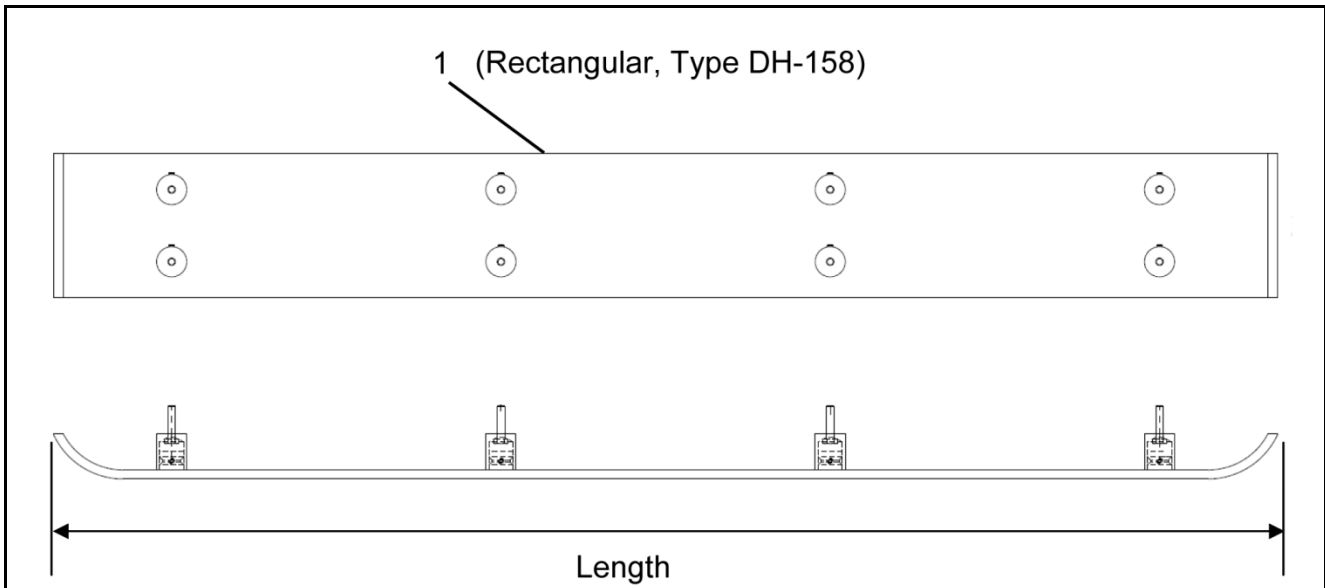
In-Car Handrails, Side



AAA29507H					
REF. No.	PART No.	FINISH	DUTIES	LENGTH	HANDRAIL SHAPE
1	AAA139BS24	Bronze Tinted	4000	79.65 in. (2023 mm)	Round, DH-156 38.1 mm (1.5 in.) Diameter
	AAA139BS25		4000	79.65 in. (2023 mm)	
	AAA139BS26		4500	85.65 in. (2176 mm)	
	AAA139BS27		5000	90.9 in. (2309 mm)	
	AAA139BS28		5000 (AIA)	98.15 in. (2493 mm)	
	AAA139BS10	Brushed Steel	4000	79.65 in. (2023 mm)	
	AAA139BS11		4000	79.65 in. (2023 mm)	
	AAA139BS12		4500	85.65 in. (2176 mm)	
	AAA139BS13		5000	90.9 in. (2309 mm)	
	AAA139BS14		5000 (AIA)	98.15 in. (2493 mm)	

In-Car Bumper Rails

14-AAA29507H

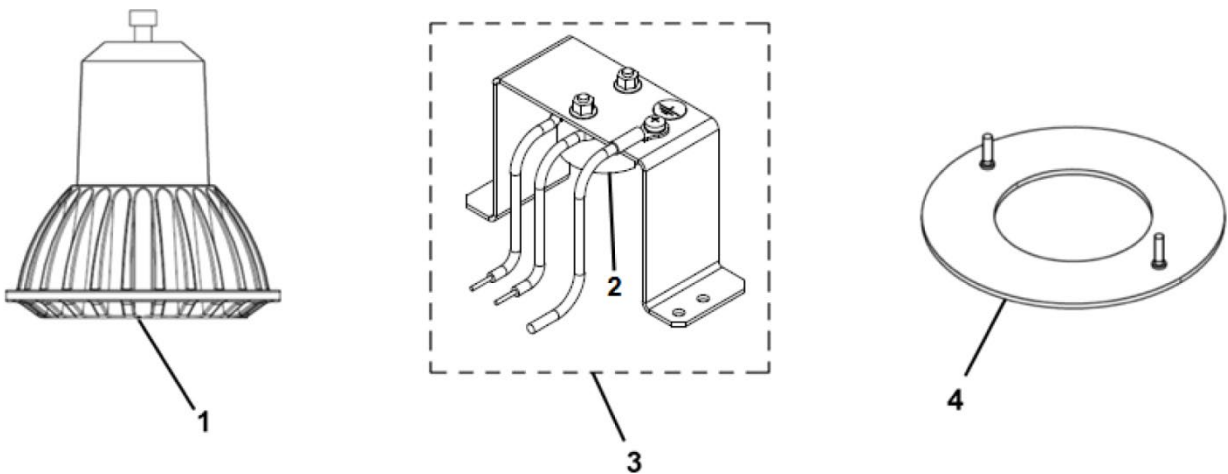


REF. No.	PART No.	FINISH	DUTIES	LENGTH	HANDRAIL SHAPE	
	AAA29507H					
	REAR					
	AAA139BR21	Bronze Tinted	4000, 4500	56.9 in. (1445 mm)	Rectangular, DH-158 152.4 mm x 9.5 mm (6 in. x 0.375 in.)	
	AAA139BR22		5000	62.65 in. (1591 mm)		
	AAA139BR23		5000 (AIA)	58.15 in. (1477 mm)		
	AAA139BR7	Brushed Steel	4000, 4500	56.9 in. (1445 mm)		
	AAA139BR8		5000	62.65 in. (1591 mm)		
	AAA139BR9		5000 (AIA)	58.15 in. (1477 mm)		
	SIDES					
1	AAA139BR24	Bronze Tinted	4000	79.65 in. (2023 mm)		
	AAA139BR25		4000	79.65 in. (2023 mm)		
	AAA139BR26		4500	85.65 in. (2176 mm)		
	AAA139BR27		5000	90.9 in. (2309 mm)		
	AAA139BR28		5000 (AIA)	98.15 in. (2493 mm)		
	AAA139BR10	Brushed Steel	4000	79.65 in. (2023 mm)		
	AAA139BR11		4000	79.65 in. (2023 mm)		
	AAA139BR12		4500	85.65 in. (2176 mm)		
	AAA139BR13		5000	90.9 in. (2309 mm)		
	AAA139BR14		5000 (AIA)	98.15 in. (2493 mm)		

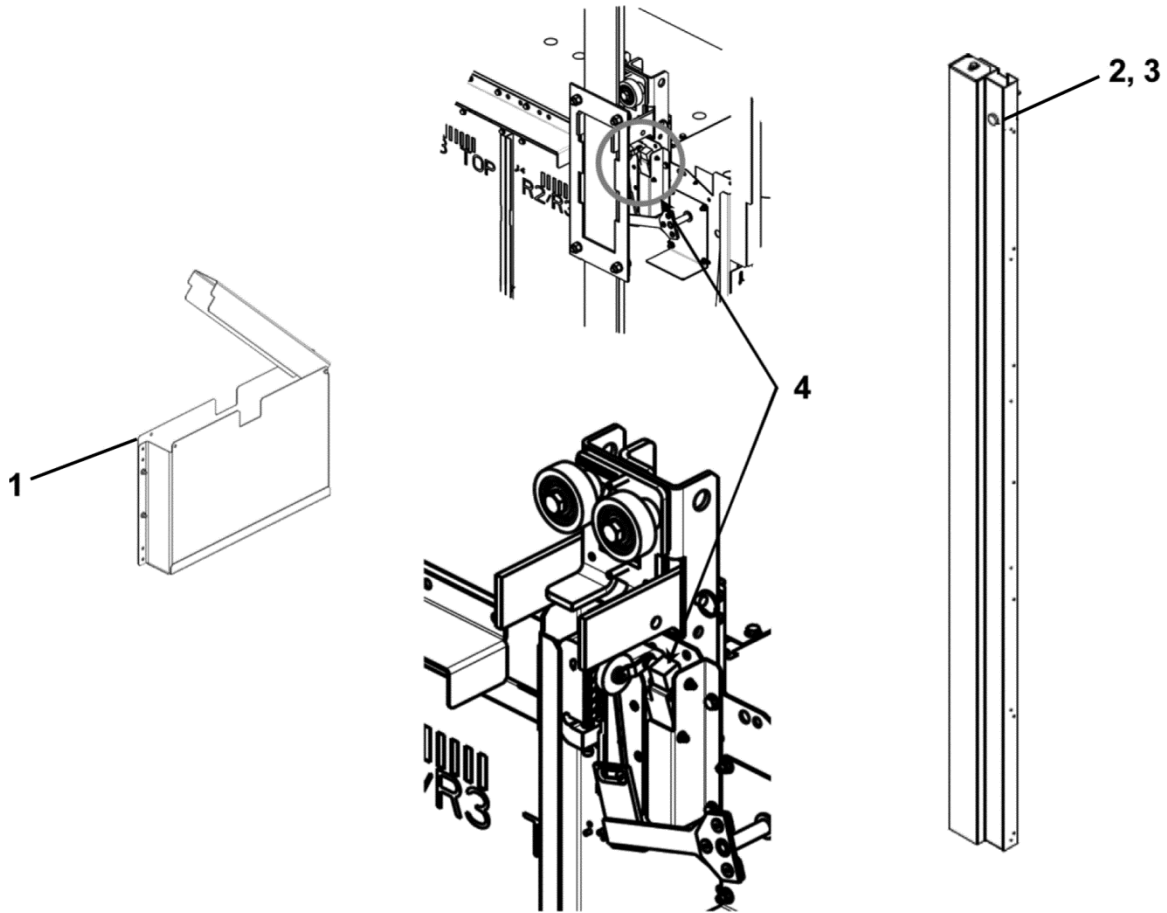
Ceiling & Drop Ceiling

14-AAA29507H

Light Bulb, Light Socket, Trim Ring



AAA29507H		
REF. No.	PART No.	DESCRIPTION
1	AAA417CX1	Bulb, LED
2	AAA618BD5	Socket, Light
3	AAA458K1 AAA458K2	Socket, Light
4	AAA458H2	Trim Ring



AAA29507H		
REF. No.	PART No.	DESCRIPTION
1	AAA308ABY1	Box, for Wire Diagram, Located on Top of Car Handrail
2	320CV2	Bumper, Strike
3	ISO1234-2X40Z	Pin, Cotter, 2 mm Dia., 40 mm Long
4	AAA22800T3	Switch, Blocking