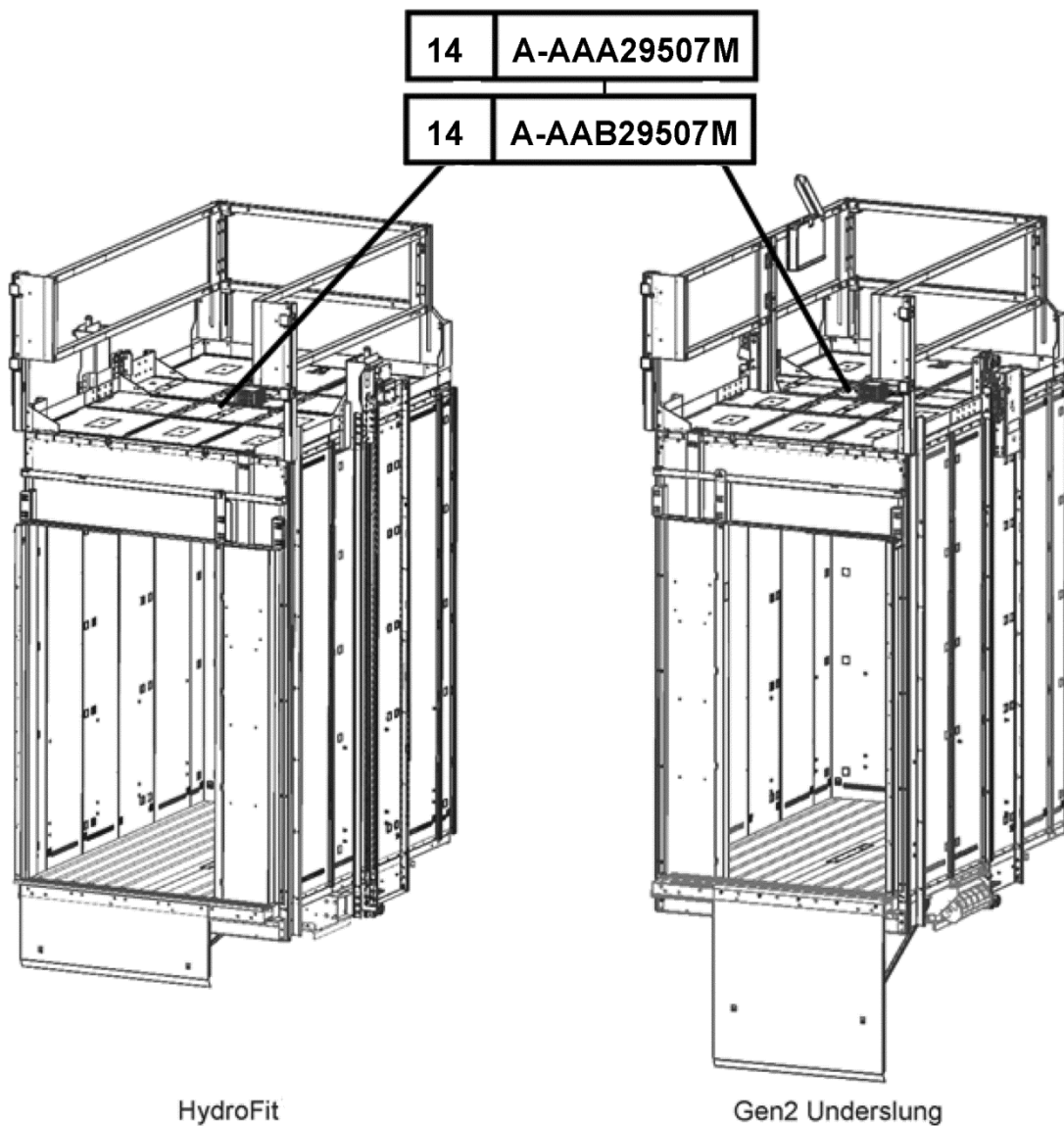


**Gen2[®] Underslung &
HydroFit[®] Service Carframes
(4000–5000 lb. Duties)**

**Spare Parts Leaflet
14-AAA29507M**

May 26, 2021 / Page 1 of 19



OTIS

This document does not contain any
technical data subject to EAR or ITAR

**SERVICE ENGINEERING
Otis Elevator Company
Bloomfield, Connecticut USA**

Unpublished Work—© Otis Elevator Co.; 2021

Leaflet Description

This spare parts leaflet covers the carframe spare parts used on the Gen2 service duty carframes (also known as the Gen2 Underslung or G2S) and the HydroFit service duty carframes, 4000–5000 lb. duties.

Leaflet Revisions

Date Revised	Subject Matter Expert	Reason for Revision
January 15, 2014	Kyle Pereira	New SPL
July 30, 2014	Kyle Pereira	Updated parts in references 1 and 2 on p. 5 (former p. 6)
November 26, 2014	Jay Lengacher	Updated page numbers and parts on pp. 9, 12, and 13
March 16, 2016	Troy Chicoine	Updated to reflect AAB29507M vintage parts
February 8, 2017	Juan Murillo	Added new p/n AAA29507L453 on p. 10
May 24, 2017	Juan Murillo	Added new illustration for Re. 3 on p. 9
May 26, 2021	Juan Murillo	Added p/n AAA321MJ1 on p. 8; Updated LED part numbers in Ref. 1 on p. 18

Related Drawings

Drawing No.	Title	Drawing No.	Title
AAA29507M_TDS	G2S/HF Service Duty Technical Data Sheets	AAA29503J_TDS	Gen2 & HydroFit Cab TDS

Related Documents

Document ID	Title	Document ID	Title
SPL 15-TAA20641J	Governor	SPL 14-AAA20780Y	Integrated Sheave Kit
SPL 14-AAA24180BC	Roller Guides	SPL 14-KAA24120AAJ	P45A Progressive Safety - ASME A17.1 Applications
SPL 14-AAA24180BE	Roller Guides	SPL 17-AAA25580CA	Top-of-Car Handrail

Subject Matter Expert

Name	Department
Juan Murillo	OSC Service Engineering

About Spare Parts Leaflets...

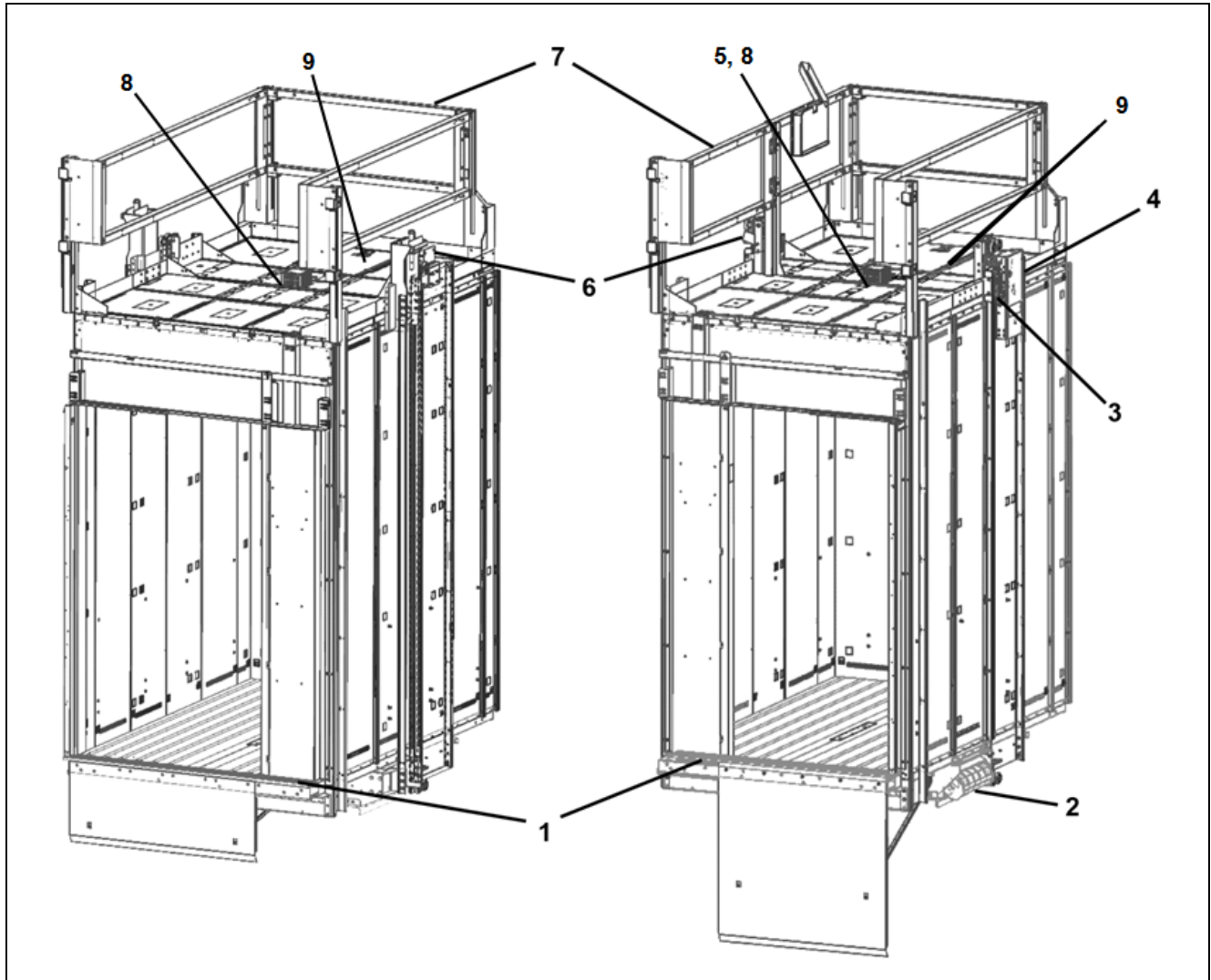
This document lists the lowest replaceable units (LRUs) for the standard version of the product. The LRUs are chosen by a team of Otis associates representing engineering and manufacturing.

While goal of this document is to make parts identification as easy as possible, the document cannot be all-inclusive. Elevator and escalator contracts classified as "special" or "custom" are not addressed here. For such contracts, please refer to specified information, the contract folder, TIPs, Field Education Articles, Construction Letters, etc. for further information.

If you have any suggestions about this document, please contact the subject matter expert listed on this page.

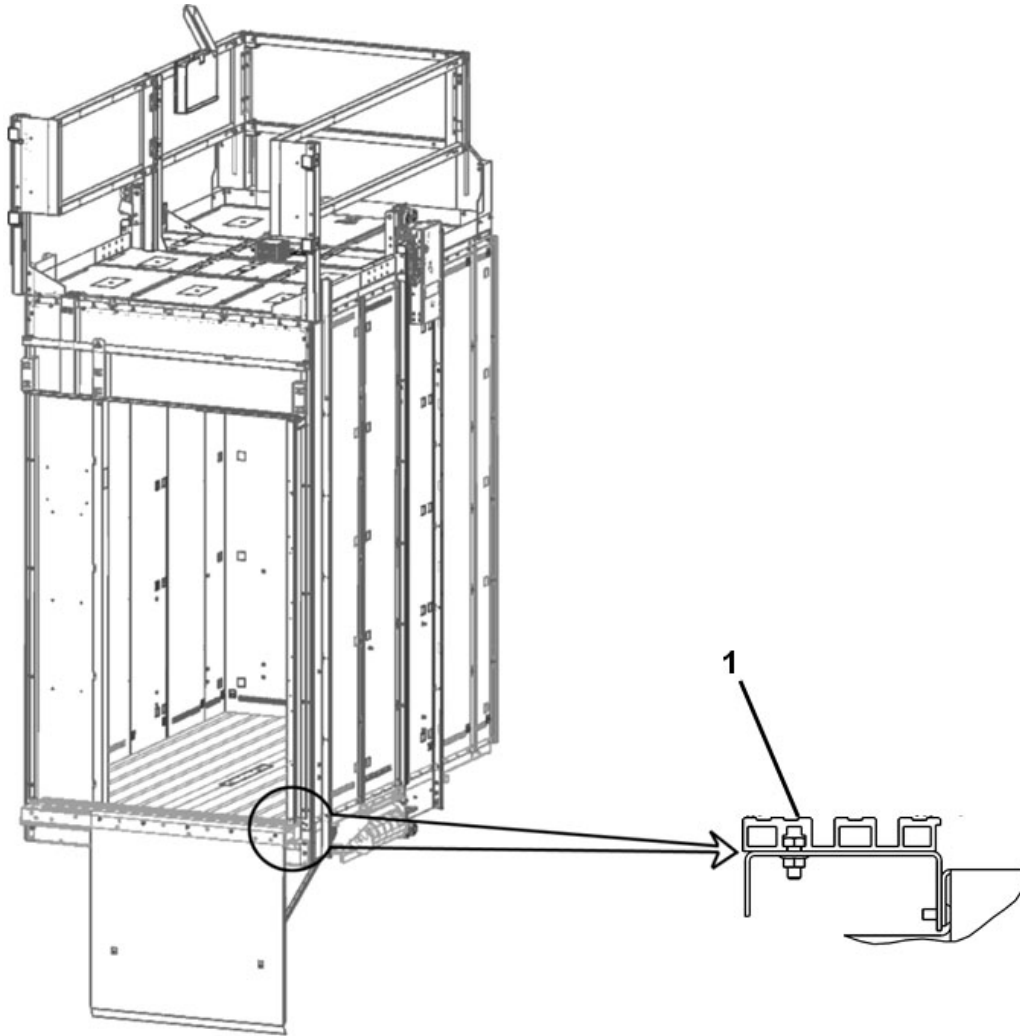
Table of Contents

14-AAA29507M



REF. No.	PAGE No.	DESCRIPTION
1	4	Threshold
2	5	Sheave Assembly
3	6	Safeties
4	7	Governor
5	8-9	Safety Linkages
6	10	Roller Guides
7	11	Top-of-Car Handrail
8	12	Crosshead Electrical Components and Variable Speed Fan
9	13	Top-of-Car Emergency Exit
*	14-17	Handrails & Bumper Rails, In Car
*	18	Drop Ceiling (Light Bulb, Light Socket, and Ring)
*	19	Miscellaneous Spare Parts

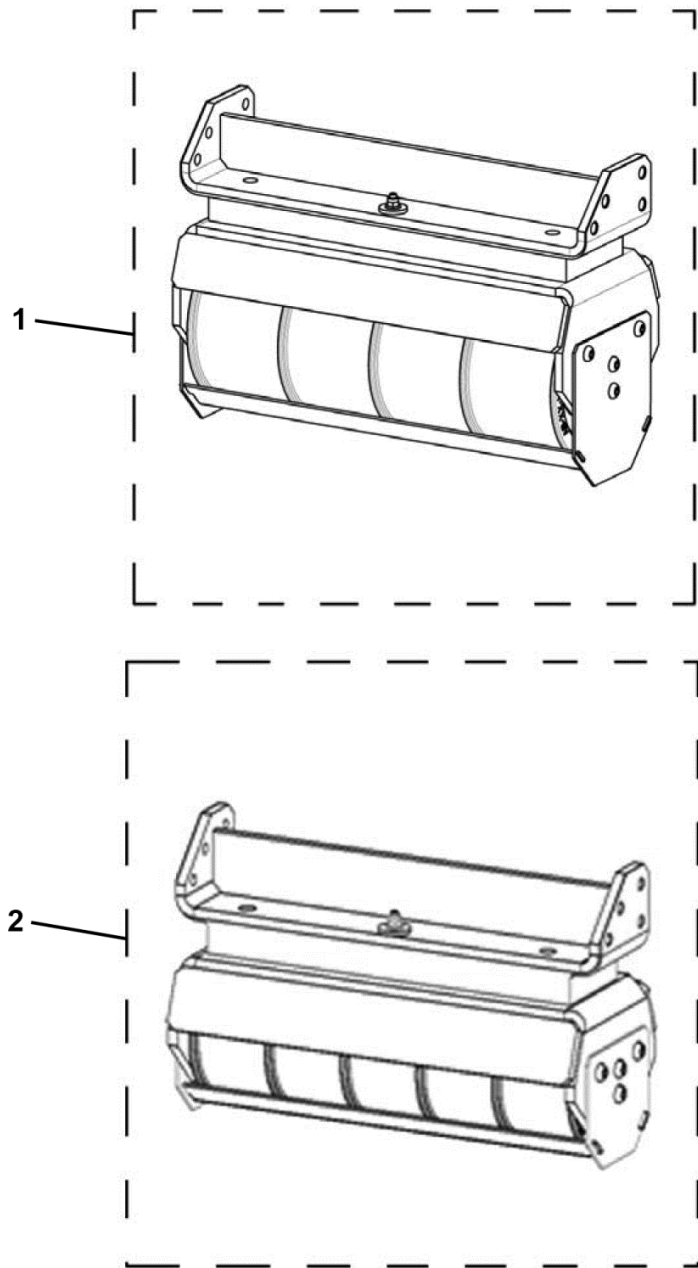
* Parts not shown



AAA29507M
AAB29507M

REF. No.	PART No.	DESCRIPTION	MATERIAL	OPENING WIDTH	LENGTH
1	AAA280BJ22	Shape, Threshold, No Holes/Slots	Aluminum	N/A	73 in. (1855 mm)
	AAA280BN22		Bronze		
	AAA280BM22		Nickel Silver		
	AAA280BJ11	Threshold	Aluminum	48 in. (1219 mm)	65.5 in. (1664 mm)
	AAA280BJ14		Aluminum	54 in. (1372 mm)	73 in. (1855 mm)
	AAA280BN11		Bronze	48 in. (1219 mm)	65.5 in. (1664 mm)
	AAA280BN14		Bronze	54 in. (1372 mm)	73 in. (1855 mm)
	AAA280BM11		Nickel Silver	48 in. (1219 mm)	65.5 in. (1664 mm)
	AAA280BM14		Nickel Silver	54 in. (1372 mm)	73 in. (1855 mm)

Sheave Assembly

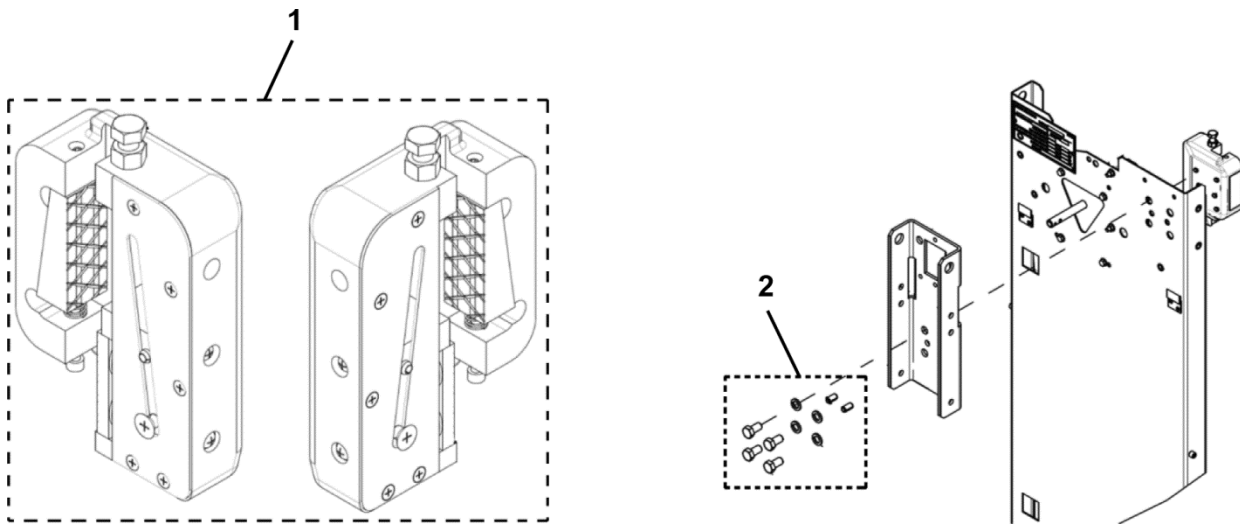



AAA29507M AAB29507M			
REF. No.	PART No.	DESCRIPTION	NOTE
1	AAA20780Z4 ABA20780Z1	Assembly, Sheave and Housing, 4 Grooves, 64 kN	For additional service parts detail, 👁 SPL 14-AAA20780Y
2	AAA20780Z2 ABA20780Z2	Assembly, Sheave and Housing, 5 Grooves, 64 kN	
*	NON1241M10X20-8.8Z	Bolt, Mounting, M10X20, 8 Required	

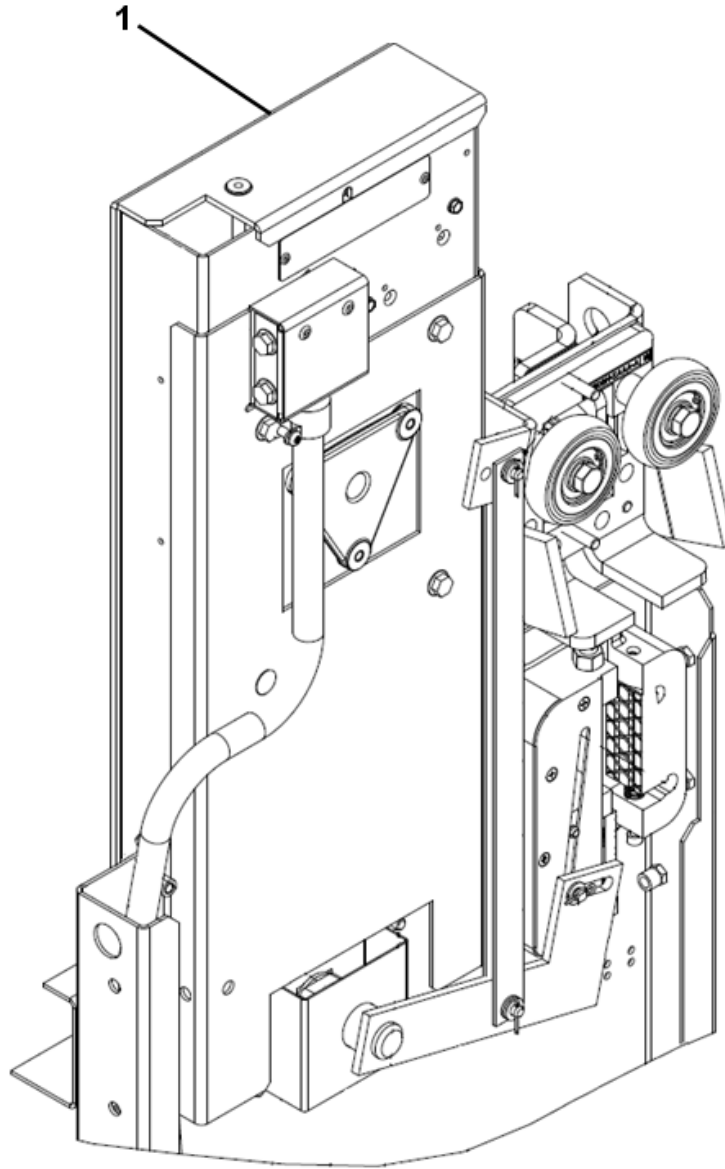
* Part not shown

Safeties

14-AAA29507M



REF. No.	PART No.	DESCRIPTION
	AAA29507M AAB29507M	
1	---	Assembly, Safety Kit,  SPL 14-KAA24120AAJ
2	AAA29507E425	Kit, Safety Mounting Hardware, Includes: 8 M16X30 Bolts and 8 M16 Spring Lockwashers

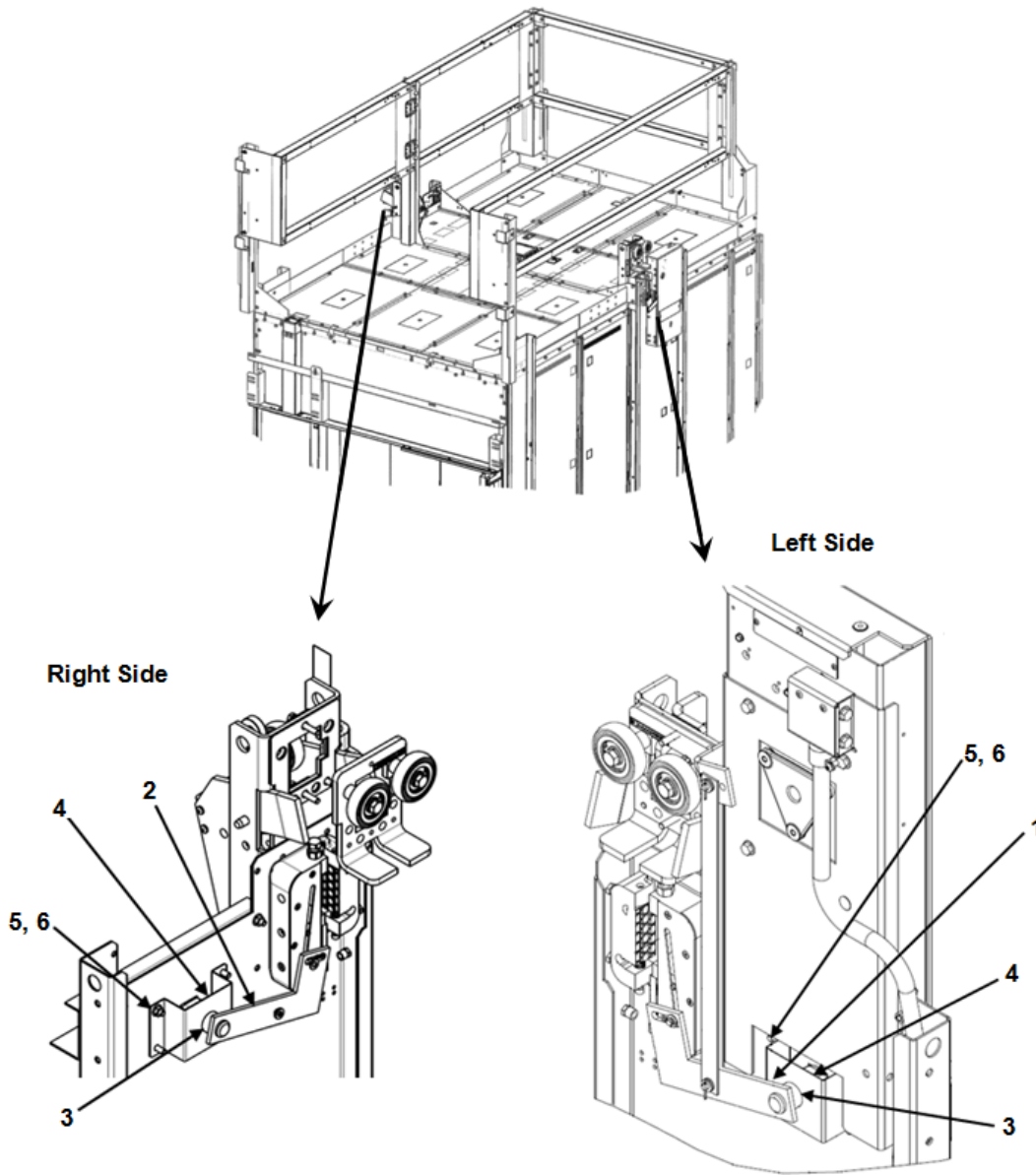


AAA29507M
AAB29507M

REF. No.	PART No.	DESCRIPTION
1	---	Governor, Manual and Remote Set, 150 and 200 fpm 👁 SPL 15-TAA20641J

Safety Linkages

14-AAA29507M

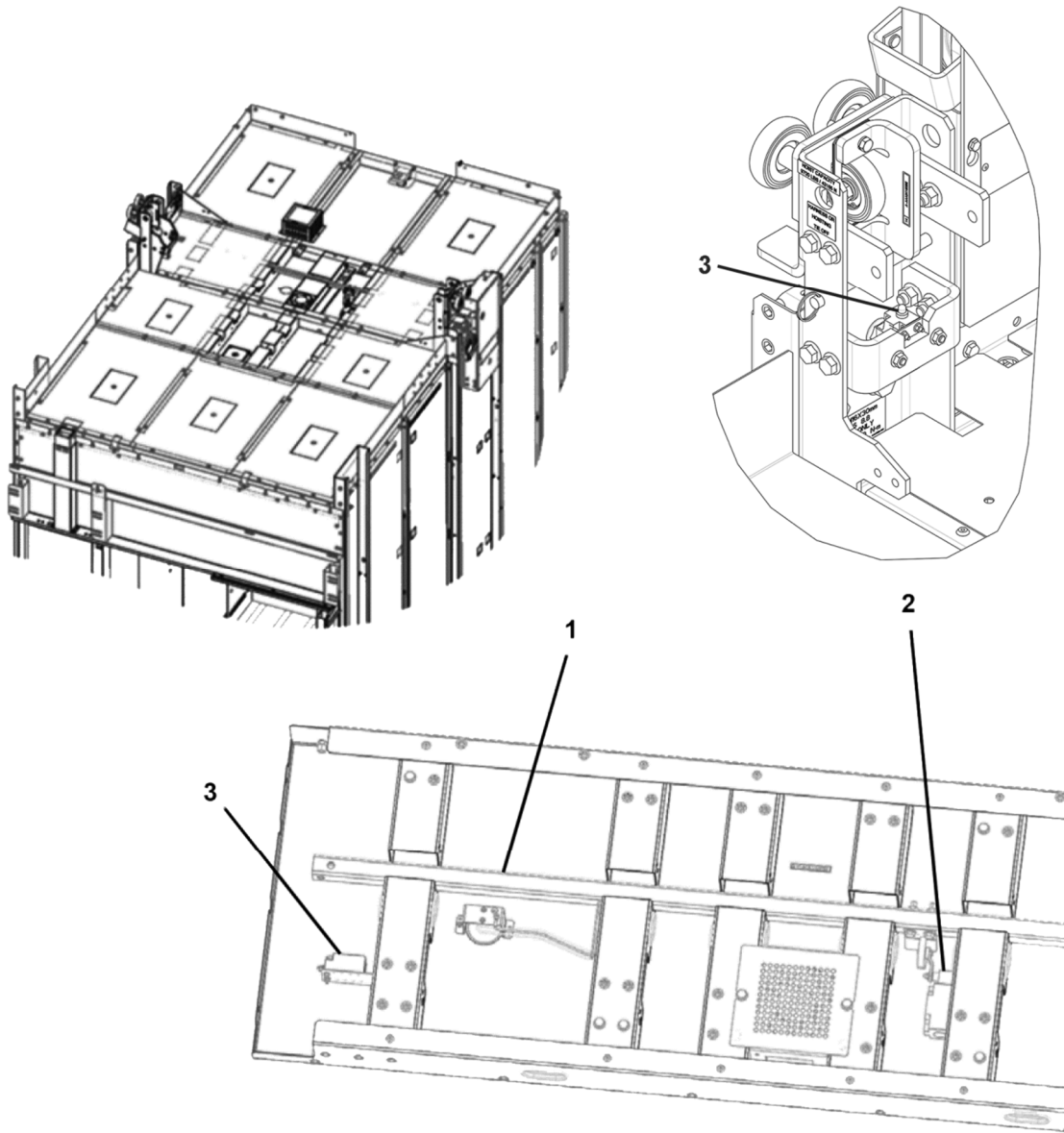


REF. No.	PART No.	DESCRIPTION
	AAA29507M AAB29507M	
1	AAA288AEZ1	Arm, Safety Lever, Left Side
2	AAA288AEZ2	Arm, Safety Lever, Right Side
3	AAA321LL2 AAA321MJ1	Bushing
4	AAA315ADS2	Channel, Formed
5	NON7201M8-8-Z	Nut, M8 Hex Nut w/ Serrated Flange
6	NON1241M8x20-8.8Z	Screw, M8x20 Hex Head w/ Serrated Flange

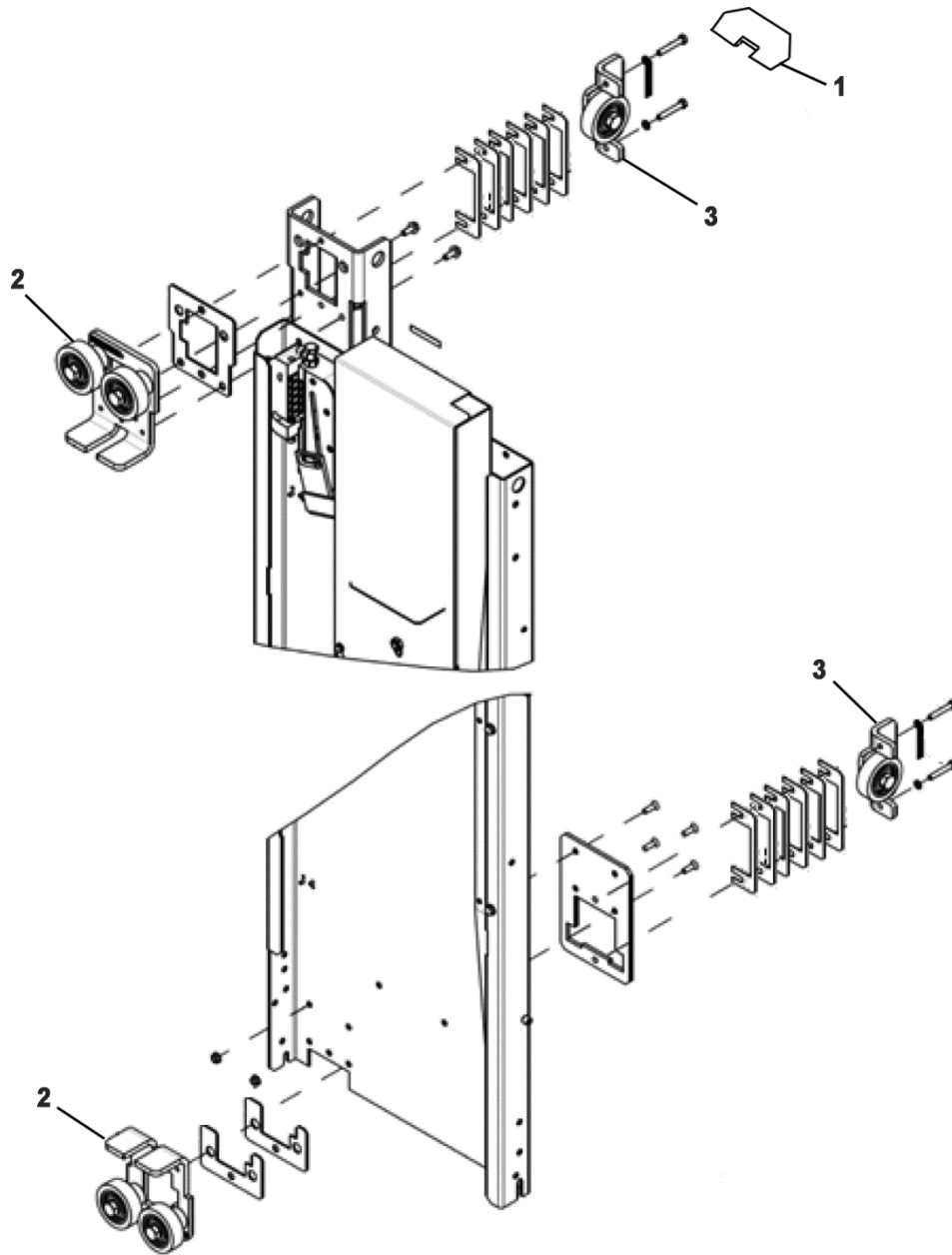
(Continued on next page)

Safety Linkages

14-AAA29507M



AAA29507M AAB29507M		
REF. No.	PART No.	DESCRIPTION
1	AAA135HT4	Assembly, Safety Linkage Shaft, 4000, 4500 lb. Duties, Length = 1568 mm (61.75 in.)
	AAA135HT5	Assembly, Safety Linkage Shaft, 5000 lb. Duty, Length = 1714 mm (67.5 in.)
	AAA135HT6	Assembly, Safety Linkage Shaft, 5000 lb. (AIA) Duty, Length = 1600 mm (63.0 in.)
2	AAA22800T3	Switch, SOS
3	AAA22800T6	Switch, Blocking



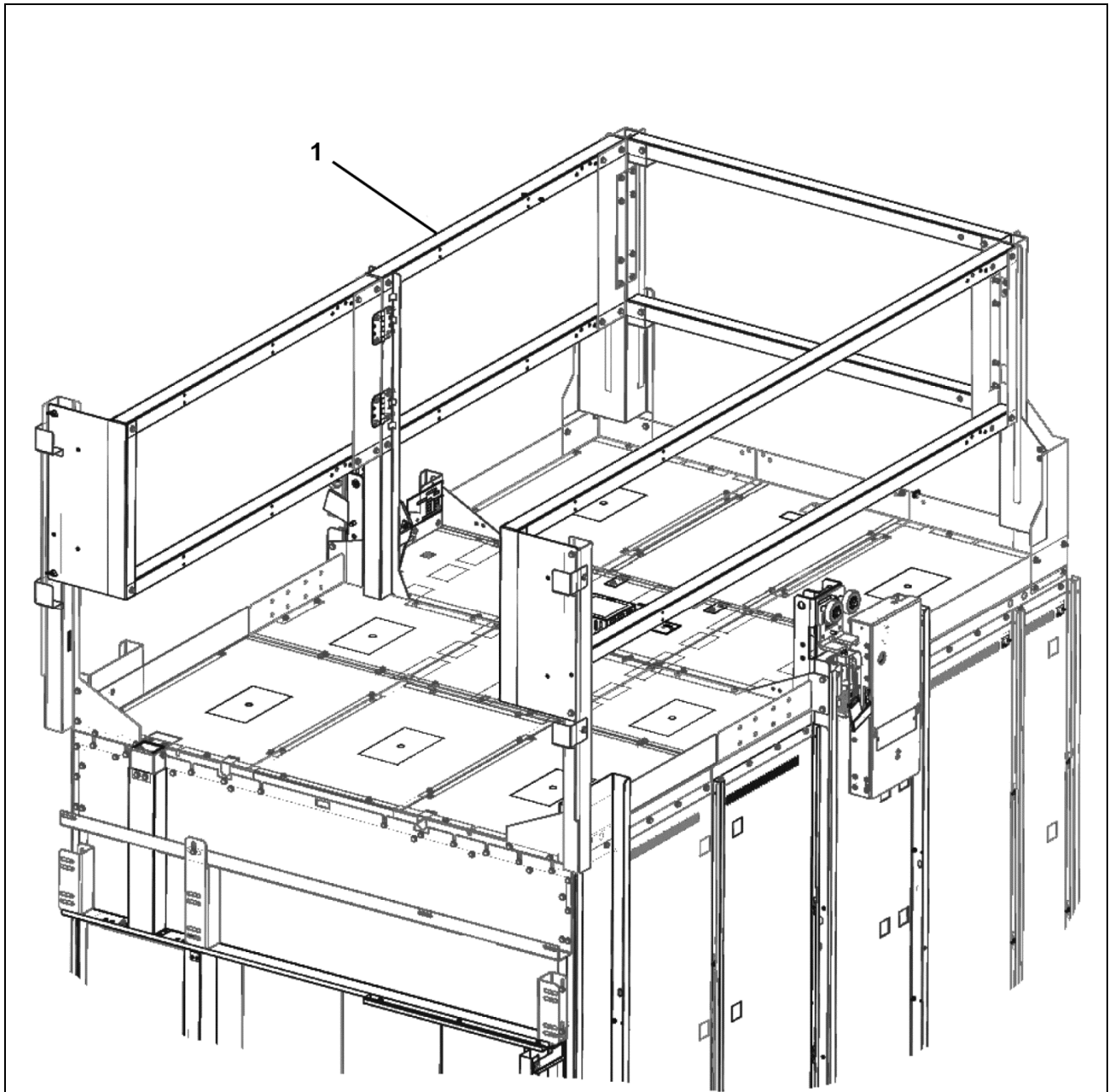
**AAA29507M
AAB29507M**

REF. No.	PART No.	DESCRIPTION
1	AAA29507L453	Kit, Hardware, Roller Guide Top Guard, NOTE
2	---	Rollers, Front, Back and Post, SPL 14-AAA24180BC
3		


NOTE: This top guard will only be supplied to the city of LA.

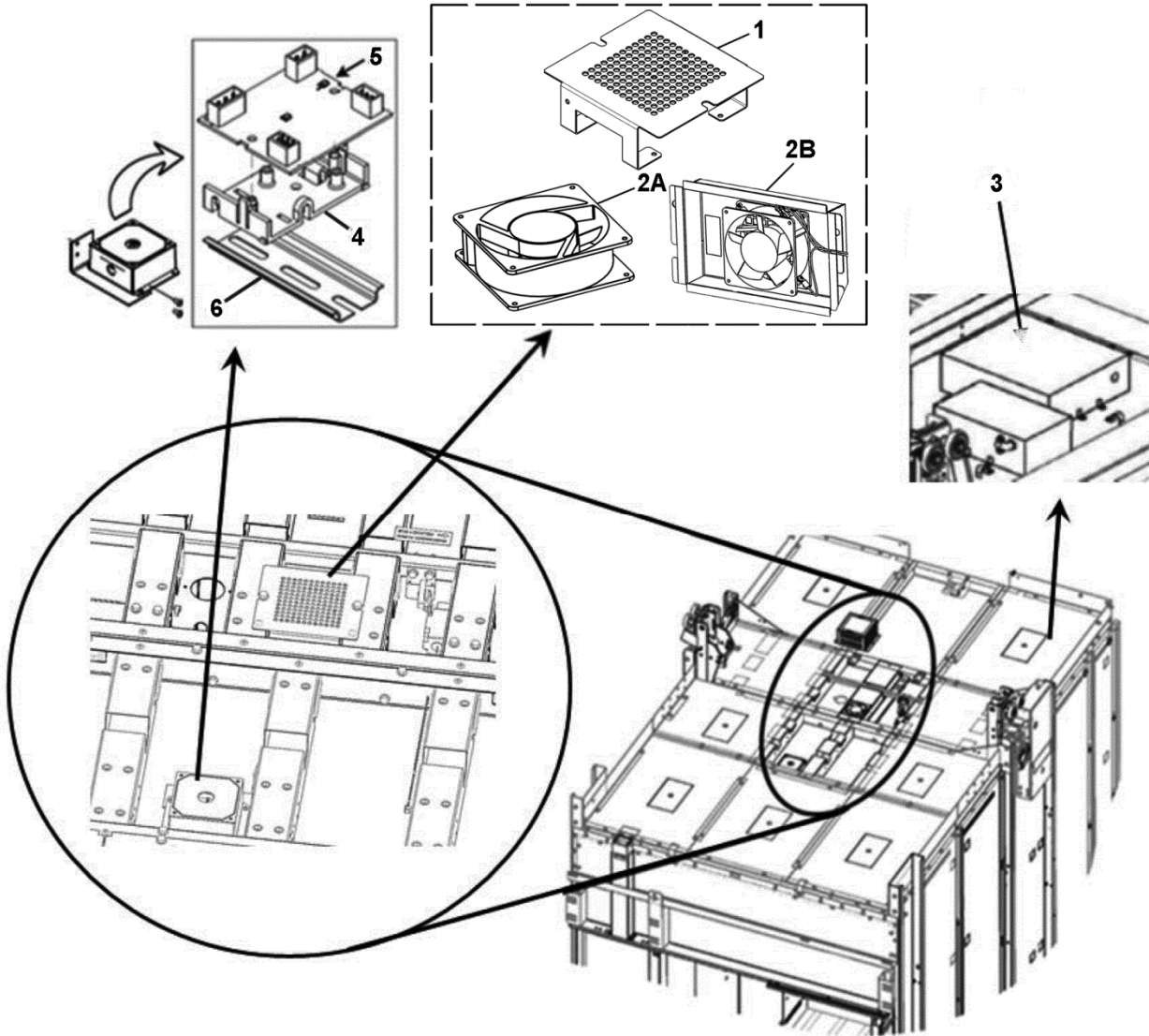
Top-of-Car Handrail

14-AAA29507M



AAA29507M
AAB29507M

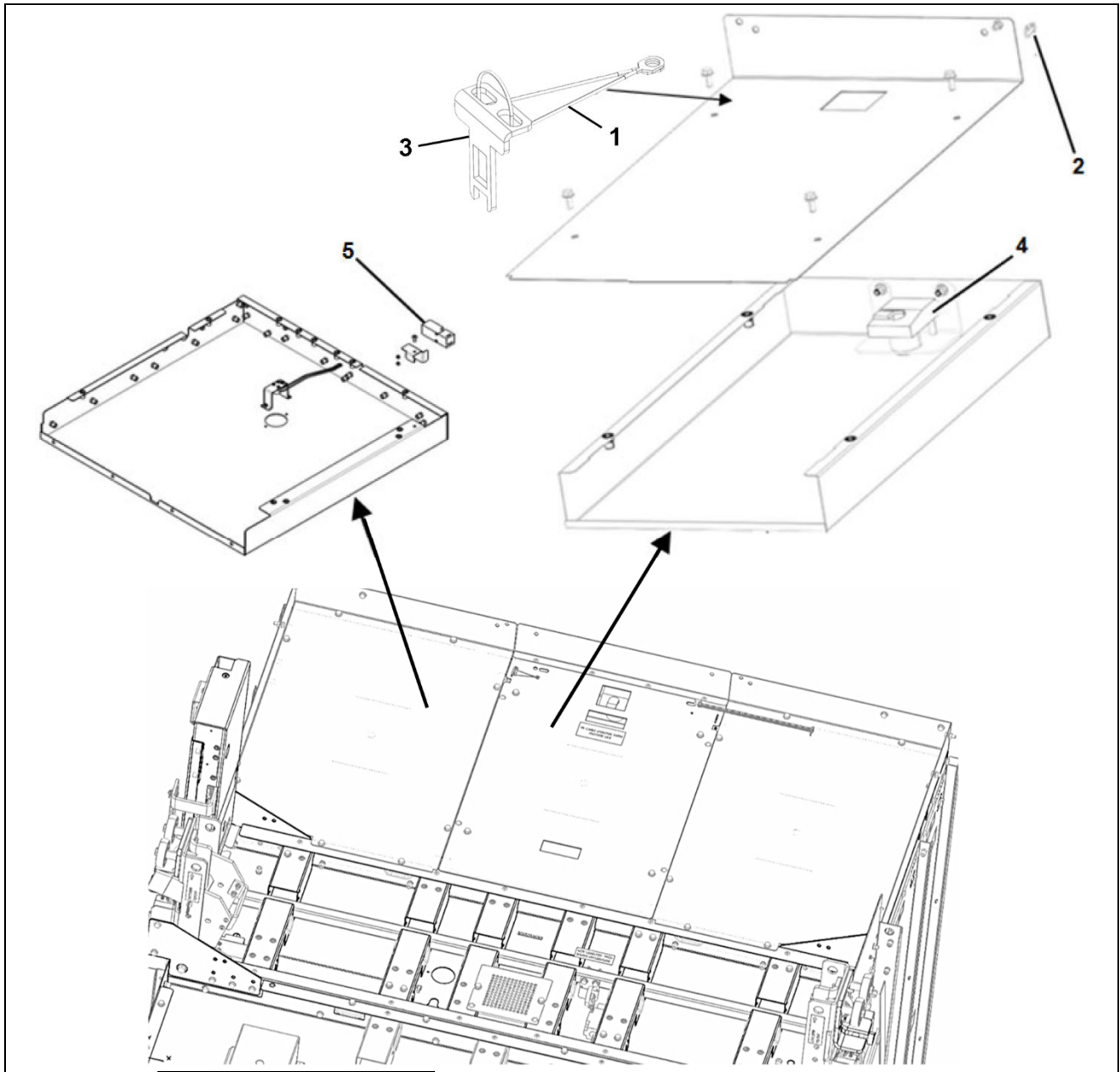
REF. No.	PART No.	DESCRIPTION
1	---	Handrail, Top-of-Car, Type AAA25580CM;  SPL 17-AAA25580CA



	AAA29507M	AAB29507M	
REF. No.	PART No.		DESCRIPTION
1	AAA346BKY1	---	Cover, Fan
2A	AAA24720T10	---	Fan
2B	---	AAA24720AB1	Fan
3	AAA24720M7		Fan, Variable Speed
4	AAA180FE1		Holder, PC Board
5	AAA24591AM117		PC Board, OPTIGUARD™
6	401B89		Rail

14-AAA29507M

Top-of-Car Emergency Exit

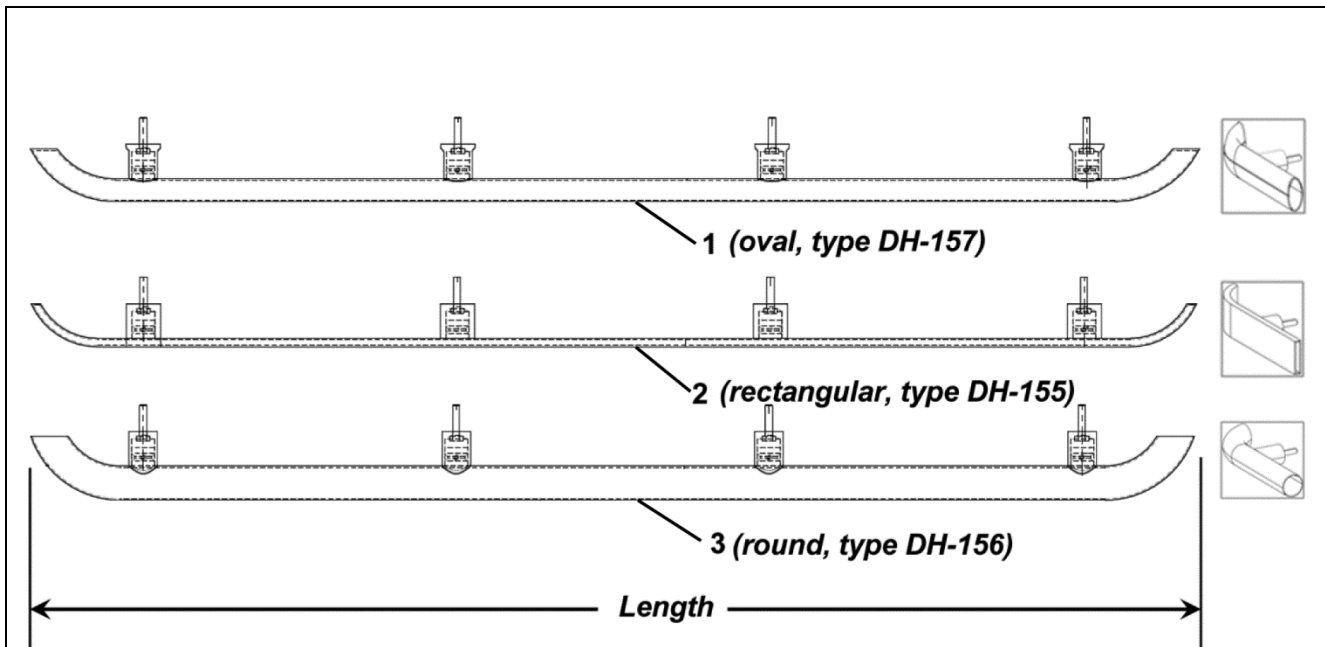


**AAA29507M
AAB29507M**

REF. No.	PART No.	DESCRIPTION
1	AAA712AK1	Cable Rope, Lanyard for Key
2	AAA176HZ1	Connector
3	AAA22800T5	Key, Emergency Exit Switch
4	AAA431AM1	Lock, 5-Pin, w/ 2 Keys (#1245)
	AAA431AM2	Lock, 5-Pin, w/ 2 Keys (#3502). For Massachusetts Only.
5	AAA22800T4	Switch, Emergency Exit

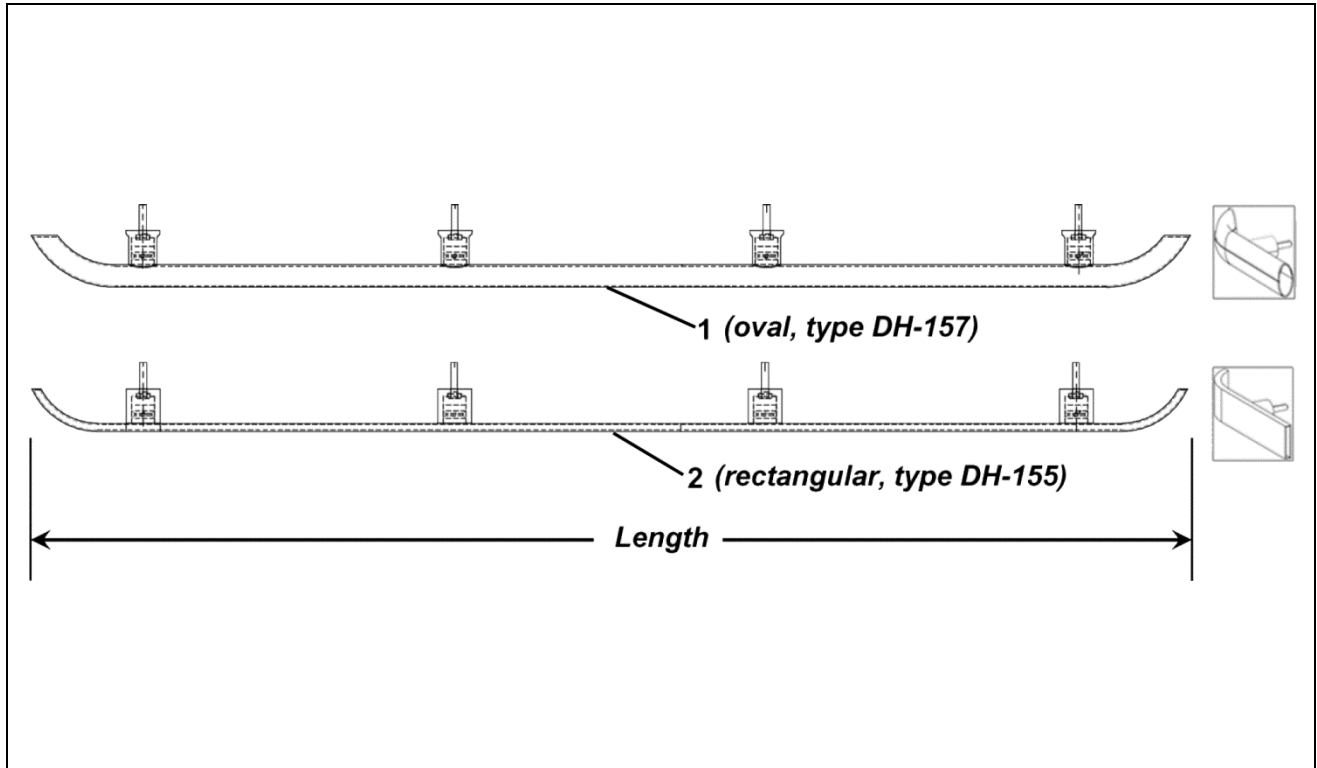
In-Car Handrails, Rear

14-AAA29507M



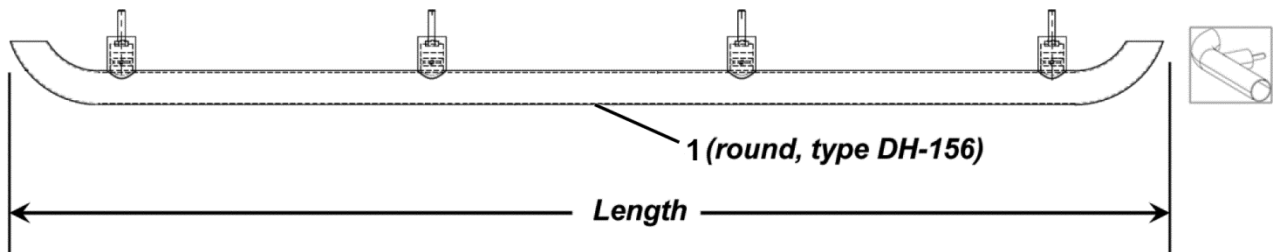
AAA29507M
AAB29507M

REF. No.	PART No.	FINISH	DUTIES (lb.)	LENGTH	HANDRAIL SHAPE
1	AAA139BT7	Brushed Steel	4000, 4500	56.9 in. (1445 mm)	Oval, DH-157, 24.5 x 50.8 mm (1 x 2 in.)
	AAA139BT8		5000	62.65 in. (1591 mm)	
	AAA139BT9		5000 (AIA)	58.15 in. (1477 mm)	
2	AAA139BQ21	Bronze Tinted	4000, 4500	56.9 in. (1445 mm)	Rectangular, DH-155, 50.8 x 9.5 mm (2 x 0.375 in.)
	AAA139BQ22		5000	62.65 in. (1591 mm)	
	AAA139BQ23		5000 (AIA)	58.15 in. (1477 mm)	
	AAA139BQ7	Brushed Steel	4000, 4500	56.9 in. (1445 mm)	
	AAA139BQ8		5000	62.65 in. (1591 mm)	
	AAA139BQ9		5000 (AIA)	58.15 in. (1477 mm)	
3	AAA139BS21	Bronze Tinted	4000, 4500	56.9 in. (1445 mm)	Round, DH-156, 38.1 mm (1.5 in.) Diameter
	AAA139BS22		5000	62.65 in. (1591 mm)	
	AAA139BS23		5000 (AIA)	58.15 in. (1477 mm)	
	AAA139BS7	Brushed Steel	4000, 4500	56.9 in. (1445 mm)	
	AAA139BS8		5000	62.65 in. (1591 mm)	
	AAA139BS9		5000 (AIA)	58.15 in. (1477 mm)	



AAA29507M
AAB29507M

REF. No.	PART No.	FINISH	DUTIES (lb.)	LENGTH	HANDRAIL SHAPE
1	AAA139BT10	Brushed Steel	4000	79.65 in. (2023 mm)	Oval, DH-157, 24.5 x 50.8 mm (1 x 2 in.)
	AAA139BT11		4000	79.65 in. (2023 mm)	
	AAA139BT12		4500	85.65 in. (2176 mm)	
	AAA139BT13		5000	90.9 in. (2309 mm)	
	AAA139BT14		5000 (AIA)	98.15 in. (2493 mm)	
2	AAA139BQ24	Bronze Tinted	4000	79.65 in. (2023 mm)	Rectangular, DH-155, 50.8 x 9.5 mm (2 x 0.375 in.)
	AAA139BQ25		4000	79.65 in. (2023 mm)	
	AAA139BQ26		4500	85.65 in. (2176 mm)	
	AAA139BQ27		5000	90.9 in. (2309 mm)	
	AAA139BQ28		5000 (AIA)	98.15 in. (2493 mm)	
	AAA139BQ10	Brushed Steel	4000	79.65 in. (2023 mm)	
	AAA139BQ11		4000	79.65 in. (2023 mm)	
	AAA139BQ12		4500	85.65 in. (2176 mm)	
	AAA139BQ13		5000	90.9 in. (2309 mm)	
	AAA139BQ14		5000 (AIA)	98.15 in. (2493 mm)	

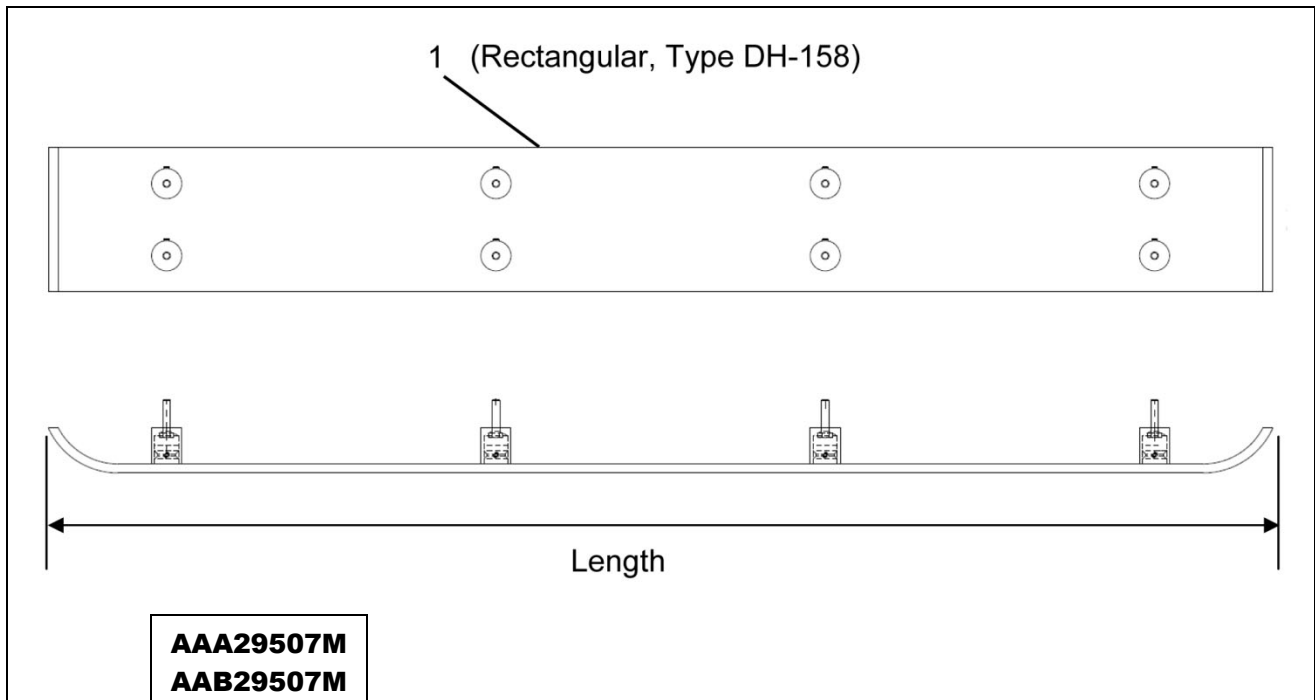


**AAA29507M
AAB29507M**

REF. No.	PART No.	FINISH	DUTIES (lb.)	LENGTH	HANDRAIL SHAPE
1	AAA139BS24	Bronze Tinted	4000	79.65 in. (2023 mm)	Round, DH-156 38.1 mm (1.5 in.) Diameter
	AAA139BS25		4000	79.65 in. (2023 mm)	
	AAA139BS26		4500	85.65 in. (2176 mm)	
	AAA139BS27		5000	90.9 in. (2309 mm)	
	AAA139BS28		5000 (AIA)	98.15 in. (2493 mm)	
	AAA139BS10	Brushed Steel	4000	79.65 in. (2023 mm)	
	AAA139BS11		4000	79.65 in. (2023 mm)	
	AAA139BS12		4500	85.65 in. (2176 mm)	
	AAA139BS13		5000	90.9 in. (2309 mm)	
	AAA139BS14		5000 (AIA)	98.15 in. (2493 mm)	

In-Car Bumper Rails

14-AAA29507M

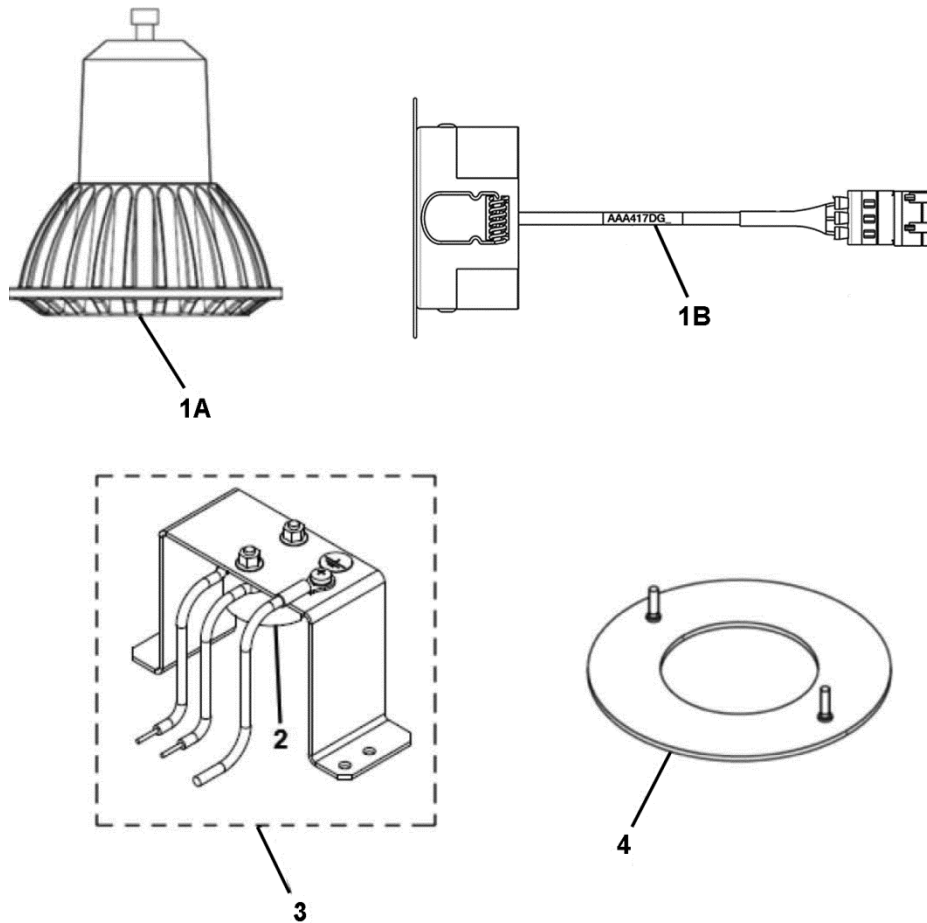


REF. No.	PART No.	FINISH	DUTIES (lb.)	LENGTH	HANDRAIL SHAPE
	AAA29507M				
	AAB29507M				
1	REAR				Rectangular, DH-158 152.4 mm x 9.5 mm (6 in. x 0.375 in.)
	AAA139BR21	Bronze Tinted	4000, 4500	56.9 in. (1445 mm)	
	AAA139BR22		5000	62.65 in. (1591 mm)	
	AAA139BR23		5000 (AIA)	58.15 in. (1477 mm)	
	AAA139BR7	Brushed Steel	4000, 4500	56.9 in. (1445 mm)	
	AAA139BR8		5000	62.65 in. (1591 mm)	
	AAA139BR9		5000 (AIA)	58.15 in. (1477 mm)	
	SIDES				
	AAA139BR24	Bronze Tinted	4000	79.65 in. (2023 mm)	
	AAA139BR25		4000	79.65 in. (2023 mm)	
	AAA139BR26		4500	85.65 in. (2176 mm)	
	AAA139BR27		5000	90.9 in. (2309 mm)	
	AAA139BR28		5000 (AIA)	98.15 in. (2493 mm)	
	AAA139BR10	Brushed Steel	4000	79.65 in. (2023 mm)	
AAA139BR11	4000		79.65 in. (2023 mm)		
AAA139BR12	4500		85.65 in. (2176 mm)		
AAA139BR13	5000		90.9 in. (2309 mm)		
AAA139BR14	5000 (AIA)		98.15 in. (2493 mm)		

Ceiling & Drop Ceiling

14-AAA29507M

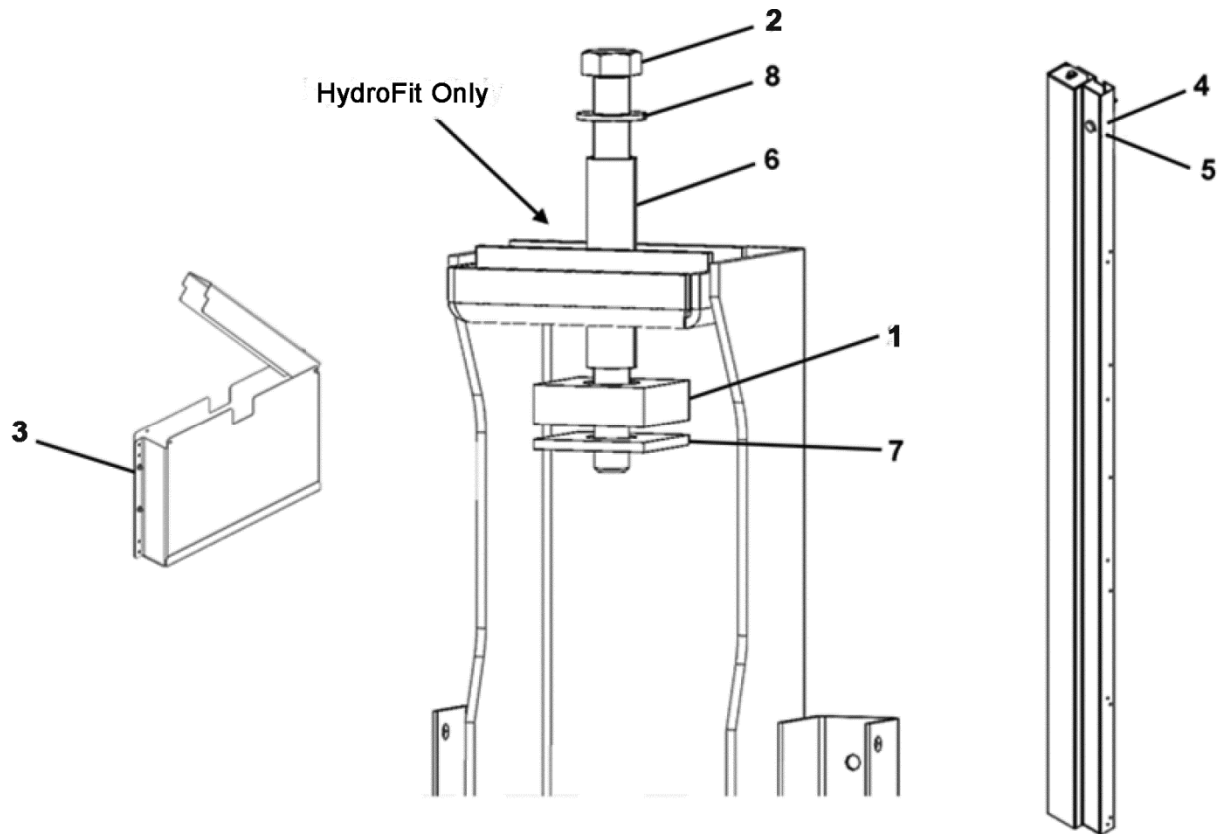
Light Bulb, Light Socket, Trim Ring



	AAA29507M	AAB29507M	
REF. No.	PART No.		DESCRIPTION
1A	AAA417CX1	---	Bulb, LED
1B	---	AAA417DG1	Bulb, LED, Brushed Nickel Finish, 4W
		AAA417DG6	Bulb, LED, Brushed Nickel Finish, 2W
		AAA417DG2	Bulb, LED, White Finish, 4W
		AAA417DG7	Bulb, LED, White Finish, 2W
		AAA417DG3	Bulb, LED, Black Finish, 4W
		AAA417DG8	Bulb, LED, Black Finish, 2W
2	AAA618BD5	---	Socket, Light
3	AAA458K2	---	Socket, Light, w/ Frame
4	AAA458H2	---	Trim Ring

14-AAA29507M

Miscellaneous Spare Parts



**AAA29507M
AAB29507M**

REF. No.	PART No.	DESCRIPTION
1	310JJ6	Block, Isolation
2	BTFH 7/8X10ZP	Bolt, Hex Head, 7/8 x 10 in. Long (22.2 x 254 mm) , 2-Stage Telescopic
	BTFH 3/4X3-1/2ZP	Bolt, Hex Head, 3/4 x 3-1/2 in. Long (19 x 89 mm), Single-Stage Holeless
3	AAA308ABY1	Box, for Wiring Diagram (located on top-of-car handrail)
4	320CV2	Bumper, Strike
5	ISO1234-2x40Z	Pin, Cotter, 0.08 in. (2 mm) Dia., 1.57 in. (40 mm) Long
6	377CH53	Pipe, 1.25 in. (31.8 mm) O.D., 11.8 in. (300 mm) Long, 2-Stage Telescopic
	377CH50	Pipe, 0.75 in. (19 mm) O.D., 2.5 in. (63.5 mm) Long, Single-Stage Holeless
7	127XA69	Washer, Steel
8	WSR SAE7/8ZP	Washer, 7/8 in. (22.2 mm) Flat, 2-Stage Telescopic
	WSR SAE3/4ZP	Washer, 3/4 in. (19 mm) Flat, Single-Stage Holeless