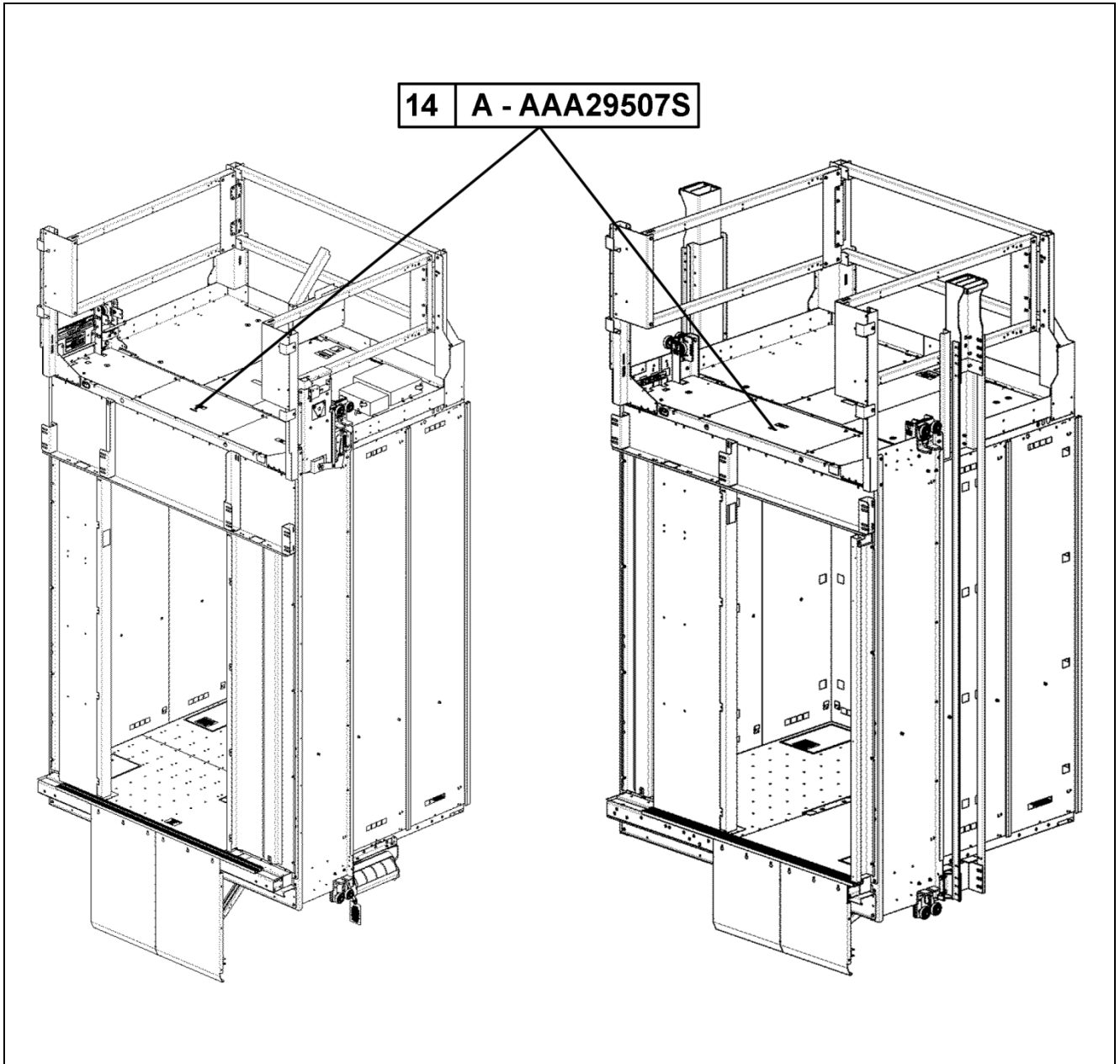


**Gen2® Underslung
(2100–4000 lb. Duties) and
HydroFit® Car Frame
(2100–3500 lb. Duties)**

**Spare Parts Leaflet
14-AAA29507S**

October 18, 2023 / Page 1 of 20



OTIS

This document does not contain any technical data subject to EAR or ITAR

SERVICE ENGINEERING

Otis Elevator Company

Bloomfield, Connecticut USA

Unpublished Work—© Otis Elevator Co.; 2023

Leaflet Description

This spare parts leaflet covers the car frame spare parts used on the Gen2 150/200/350 (also known as the Gen2 Underslung or G2S), 2100–4000 lb. duties, and the HydroFit, 2100–3500 lb. duties.

Leaflet Revisions

Date Revised	Subject Matter Expert	Reason for Revision
November 8, 2017	Jay Lengacher	New SPL
March 20, 2019	Juan Murillo and Richard Blakelock	Added Top-of-Car Handrail to p.11
May 26, 2021	Juan Murillo and Richard Blakelock	Added p/n AAA321MJ1 to p.8; Updated LED part numbers in Ref. 1 on p. 17
June 30, 2021	Juan Murillo	Updated p. 16 with new part numbers
February 16, 2022	Juan Murillo & Jay Lengacher	Added air ionizer on p. 13 and UVC light on p. 17
October 18, 2023	Juan Murillo & Shebin Sunny	Updated pp. 9, 11, and 13

Related Drawings

Drawing No.	Title	Drawing No.	Title
AAA29507S_TDS	G2S & HydroFit Car Technical Data Sheets	AAA29503J_T DS	G2S & HydroFit Cab TDS

Related Documents

Document ID	Title	Document ID	Title
SPL 14-KAA24120AAJ	P45A Progressive Safety - ASME A17.1 Applications	SPL 14-AAA20780Y	Integrated Sheave Kit
SPL 15-TAA20641J	Governor	SPL 15-TAA20641H	Governor
SPL 14-AAA24180BC	Roller Guides	SPL 14-AAA24180BE	Roller Guides
SPL 17-AAA25580CA	Top-of-Car Handrail	SPL 17-AAA25580DS	Top-of-Car Handrail

Subject Matter Expert

Name	Department
Juan Murillo & Shebin Sunny	OSC Service Engineering

About Spare Parts Leaflets...

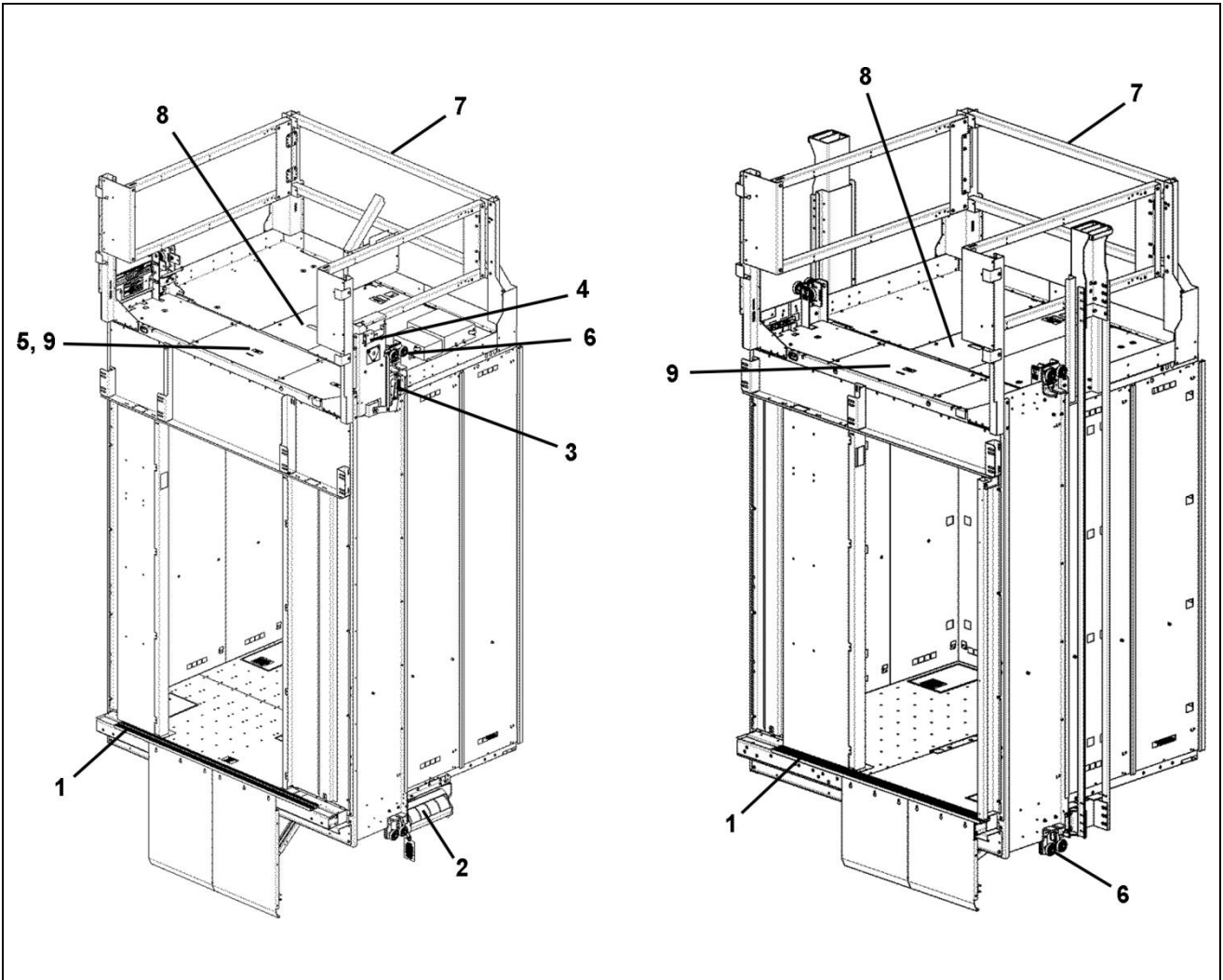
This document lists the lowest replaceable units (LRUs) for the standard version of the product. The LRUs are chosen by a team of Otis associates representing engineering and manufacturing.

While goal of this document is to make parts identification as easy as possible, the document cannot be all-inclusive. Elevator and escalator contracts classified as “special” or “custom” are not addressed here. For such contracts, please refer to specified information, the contract folder, TIPS, Field Education Articles, Construction Letters, etc. for further information.

If you have any suggestions about this document, please contact the subject matter expert listed on this page.

Table of Contents

14-AAA29507S

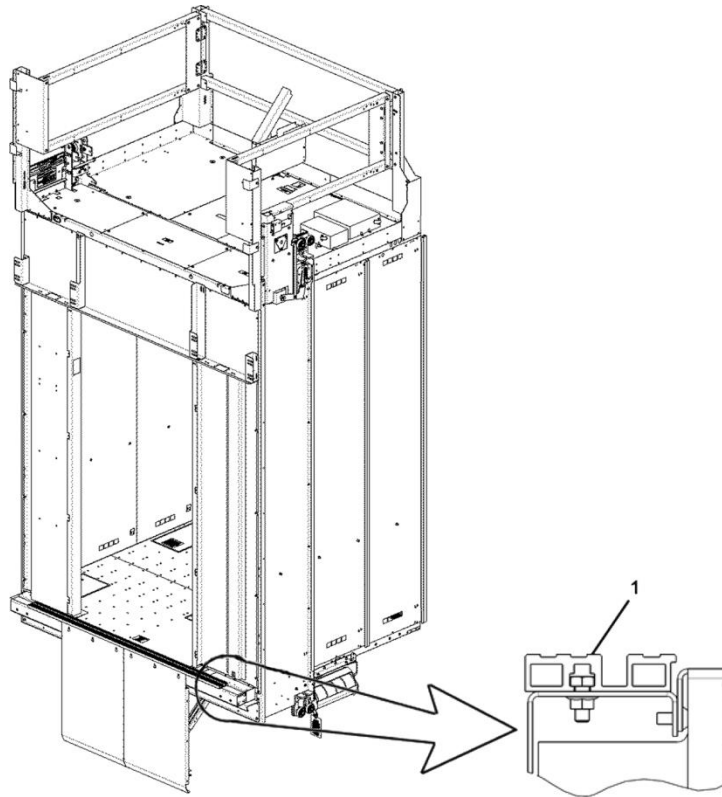


REF. No.	PAGE No.	DESCRIPTION
1	4	Threshold
2	5	Sheave Assembly
3	6	Safeties
4	7	Governor
5	8–9	Safety Linkages
6	10	Roller Guides
7	11	Top-of-Car Handrail
8	12	Top-of-Car Emergency Exit
9	13	Crosshead Electrical Components and Variable Speed Fan and Air Ionizer
*	14–15	Handrails, In-Car
*	16–17	Drop Ceiling (Light Fixture and Light Bulb) and UVC Light Fixture
*	18	Miscellaneous Spare Parts
*	19–20	Glass Wall

* Not shown

14-AAA29507S

Threshold

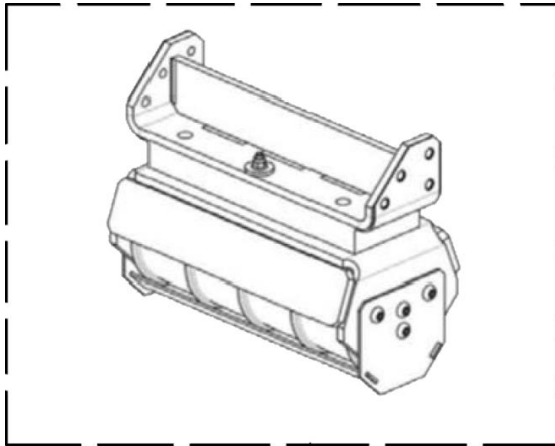


AAA29507S

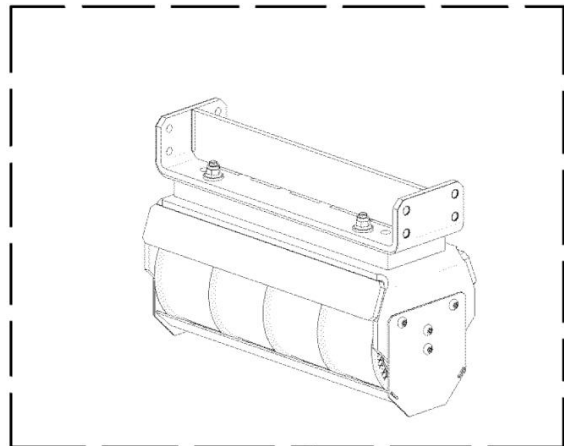
REF. No.	PART No.	OPENING WIDTH	LENGTH	OPENING TYPE	MATERIAL	DESCRIPTION
1	AAA280BJ1	42 in. (1067 mm)	67.34 in. (1711 mm)	Center-Opening	Aluminum	Threshold
	AAA280BJ3	48 in. (1219 mm)	76.32 in. (1938.5 mm)			
	AAA280BJ5	36 in. (914 mm)	59.49 in. (1511 mm)	Single-Slide		
	AAA280BJ8	42 in. (1067 mm)	68.52 in. (1741 mm)			
	AAA280BJ18	N/A	76.32 in. (1938.5 mm)	CO or SS		
	AAA280BN1	42 in. (1067 mm)	67.34 in.(1711 mm)	Center-Opening	Bronze	Threshold
	AAA280BN3	48 in. (1219 mm)	76.32 in. (1938.5 mm)			
	AAA280BN5	36 in. (914 mm)	59.49 in. (1511 mm)	Single-Slide		
	AAA280BN8	42 in. (1067 mm)	68.52 in. (1741 mm)			
	AAA280BN18	N/A	76.32 in. (1938.5 mm)	CO or SS		
	AAA280BM1	42 in. (1067 mm)	67.34 in.(1711 mm)	Center-Opening	Nickel Silver	Threshold
	AAA280BM3	48 in. (1219 mm)	76.32 in. (1938.5 mm)			
	AAA280BM5	36 in. (914 mm)	59.49 in. (1511 mm)	Single-Slide		
	AAA280BM8	42 in. (1067 mm)	68.52 in. (1741 mm)			
	AAA280BM18	N/A	76.32 in. (1938.5 mm)	CO or SS		

Sheave Assembly

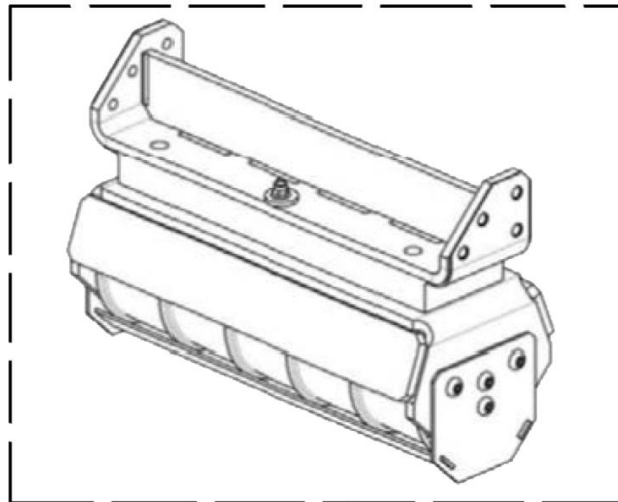
14-AAA29507S



1



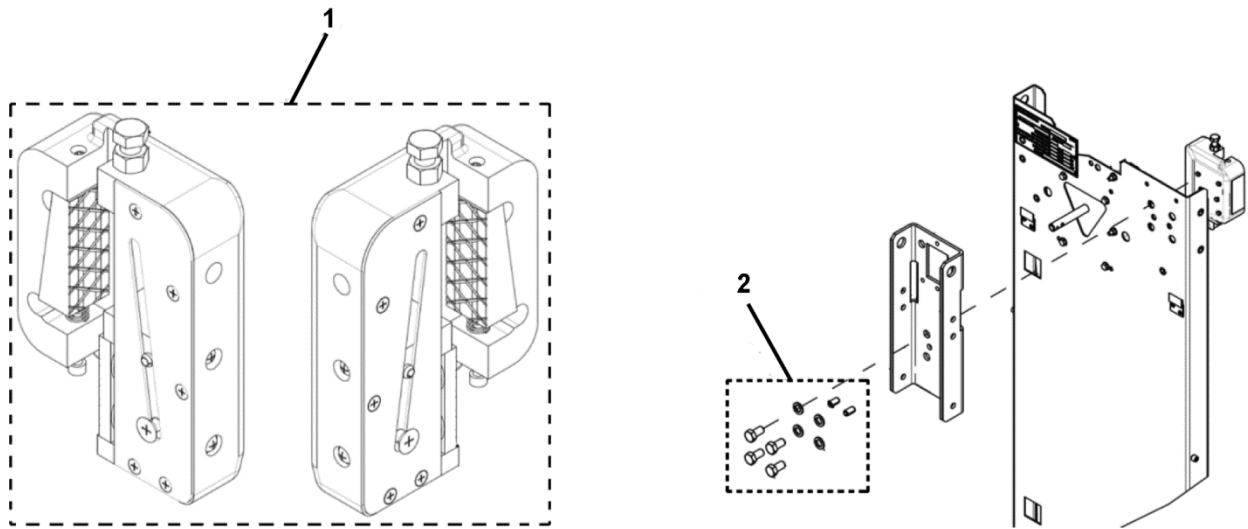
2



3

AAA29507S		
REF. No.	PART No.	DESCRIPTION
1	AAA20780Y1 ABA20780Y1	Assembly, Sheave and Housing, 4 Grooves, 43 kN
2	AAA20780AR1	Assembly, Sheave and Housing, 4 Grooves, 64 kN
3	AAA20780Y2 ABA20780Y2	Assembly, Sheave and Housing, 5 Grooves, 43 kN
*	N0N1241M8X20-8.8Z	Bolt, Mounting, M8X20, 8 Required for 43 kN Sheave
*	N0N1241M10X20-8.8Z	Bolt, Mounting, M10X20, 8 Required for 64 kN Sheave

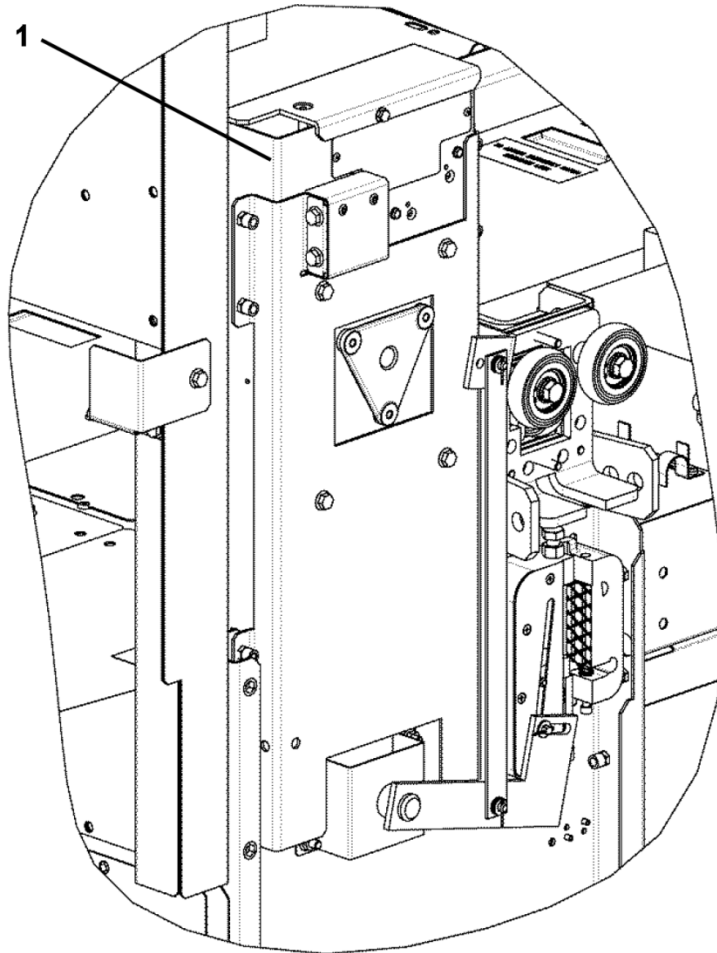
* Not shown



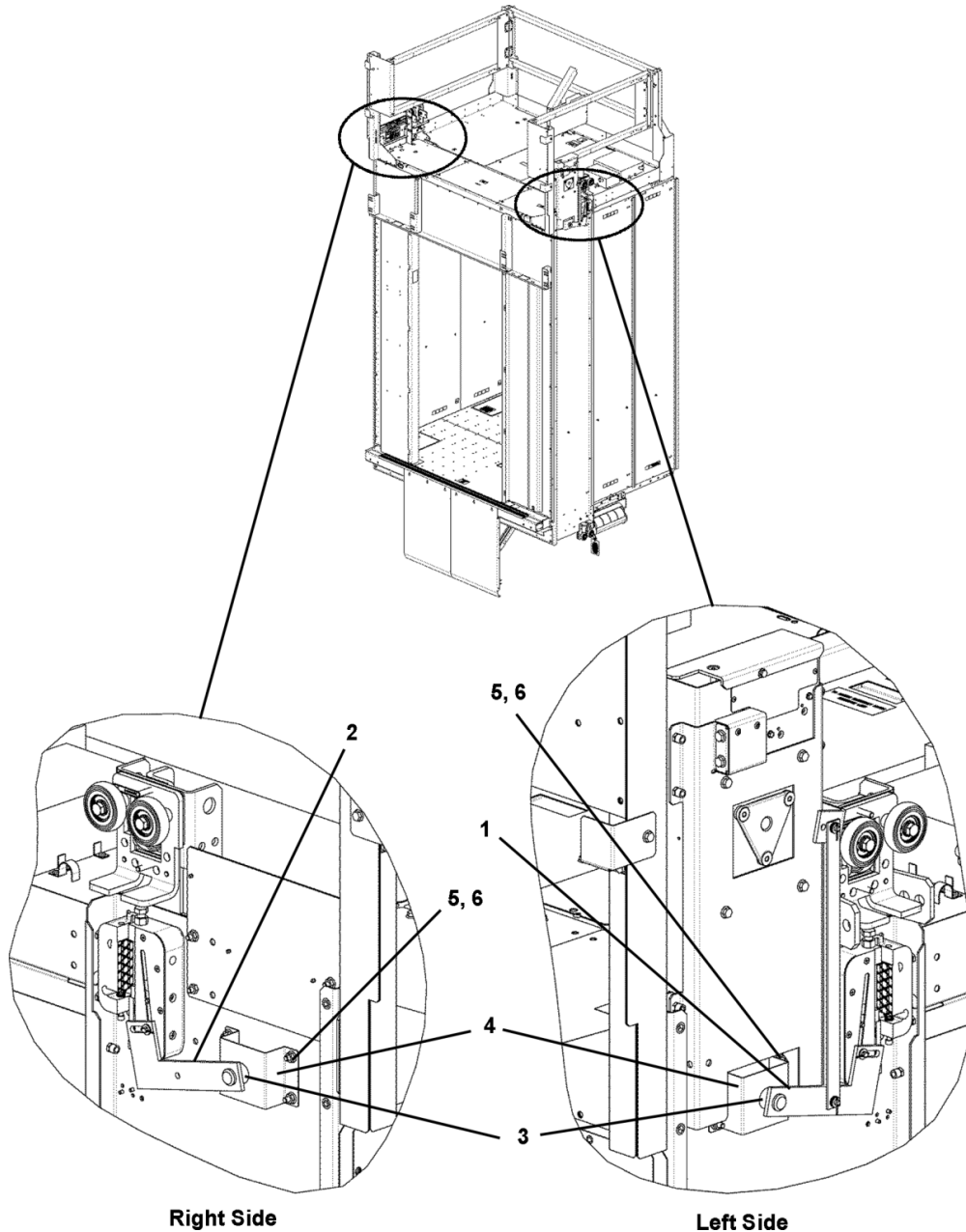
REF. No.	AAA29507S PART No.	DESCRIPTION
1	---	Kit, Safety Assembly. See SPL 14-KAA24120AAJ for details.
2	AAA29507E425	Kit, Safety Mounting Hardware. Includes (8) M16X30 Bolts and (8) M16 Spring Lockwashers.

Governor

14-AAA29507S



REF. No.	PART No.	DESCRIPTION
1	---	Governor, Manual and Remote Set (150 & 200 fpm). See SPL 15-TAA20641J.
		Governor, Manual and Remote Set (350 fpm). See SPL 15-TAA20641H.

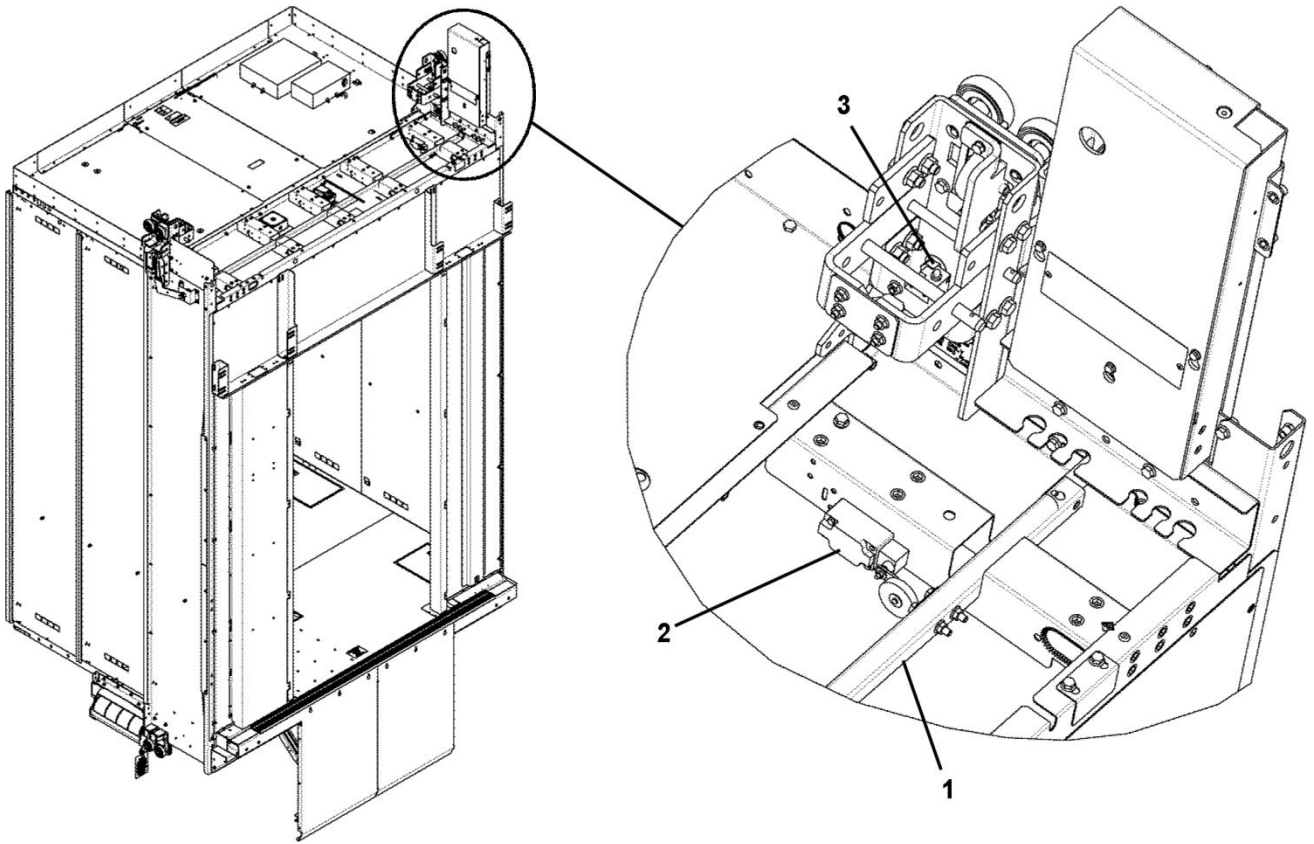


AAA29507S		
REF. No.	PART No.	DESCRIPTION
1	AAA288AEZ2	Arm, Safety Lever, Left Side
2	AAA288AEZ1	Arm, Safety Lever, Right Side
3	AAA321LL2 AAA321MJ1	Bushing
4	AAA315ADS2	Channel, Formed
5	N0N7201M8-8-Z	Nut, M8 Hex Nut w/Serrated Flange
6	N0N1241M8X20-8.8Z	Screw, M8X20 Hex Head w/ Serrated Flange

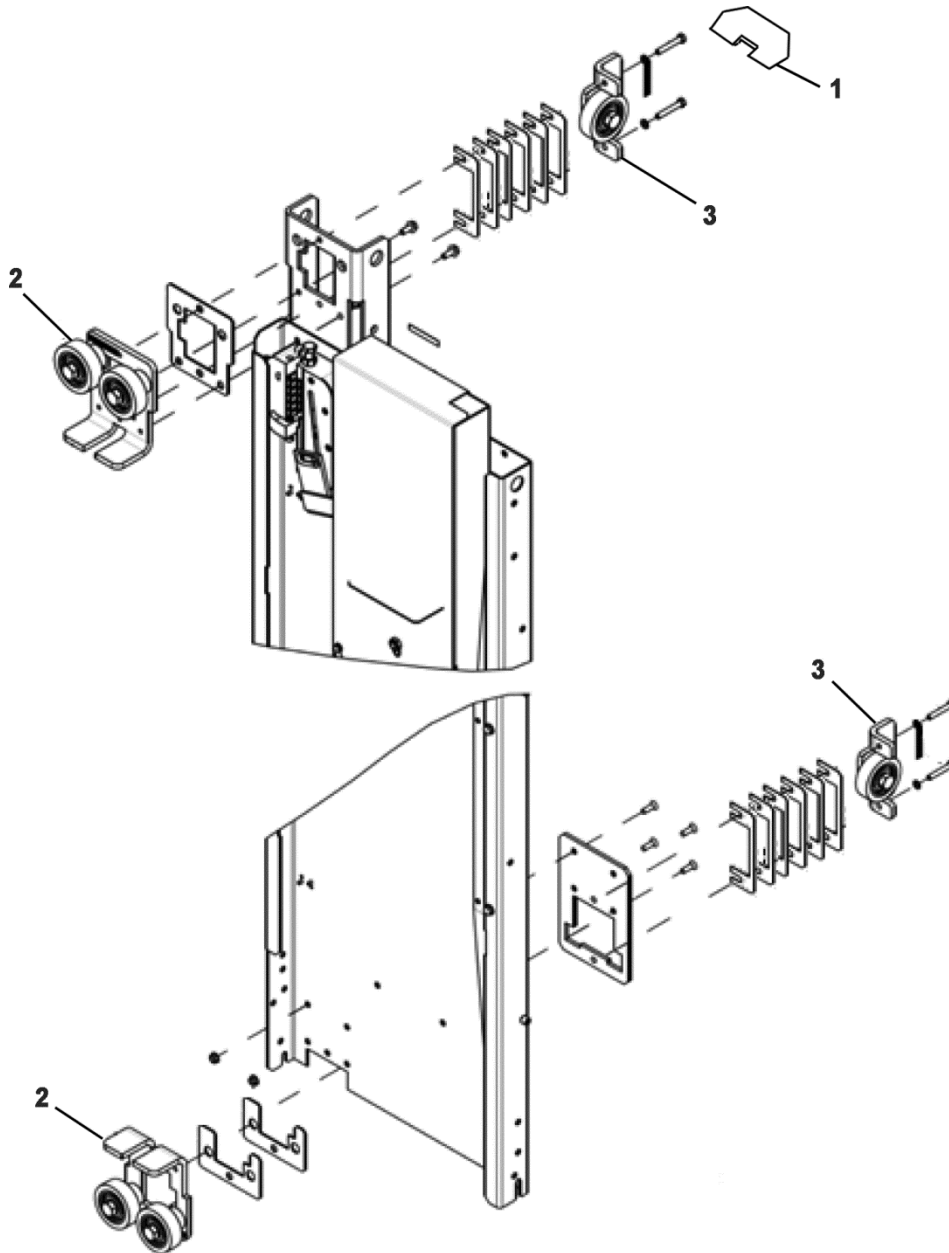
(Continued on Next Page)

Safety Linkages

14-AAA29507S



AAA29507S		
REF. No.	PART No.	DESCRIPTION
1	AAA135HT1	Assembly, Safety Linkage Shaft, 64.47 in. (1638 mm) Long. For 2100 lb. Duty
	AAA135HT2	Assembly, Safety Linkage Shaft, 73.72 in. (1873 mm) Long. For 2500, 3000, and 3500 lb. Duties
	AAA135HT3	Assembly, Safety Linkage Shaft, 85.73 in. (2178 mm) Long. For 4000 lb. Duty
2	AAA22800T6	Switch, SOS
3	AAA22800T3	Switch, Blocking

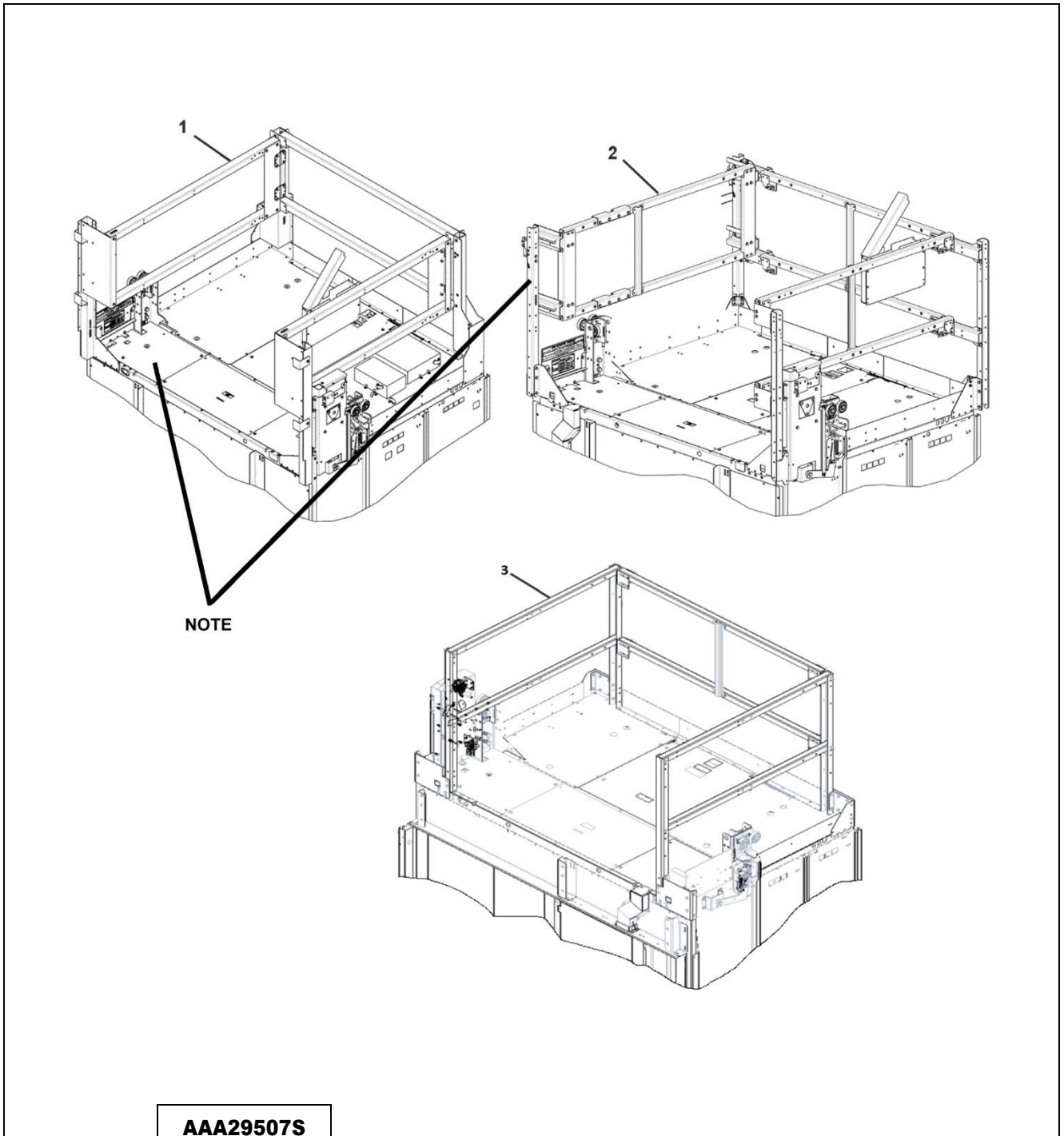


AAA29507S		
REF. No.	PART No.	DESCRIPTION
1	AAA29507L453	Kit, Hardware, Roller Guide Top Guard, NOTE
2	---	Rollers, Front/Back and Post. SPL 14-AAA24180BC.
3		

NOTE: This top guard will only be supplied to the city of LA.

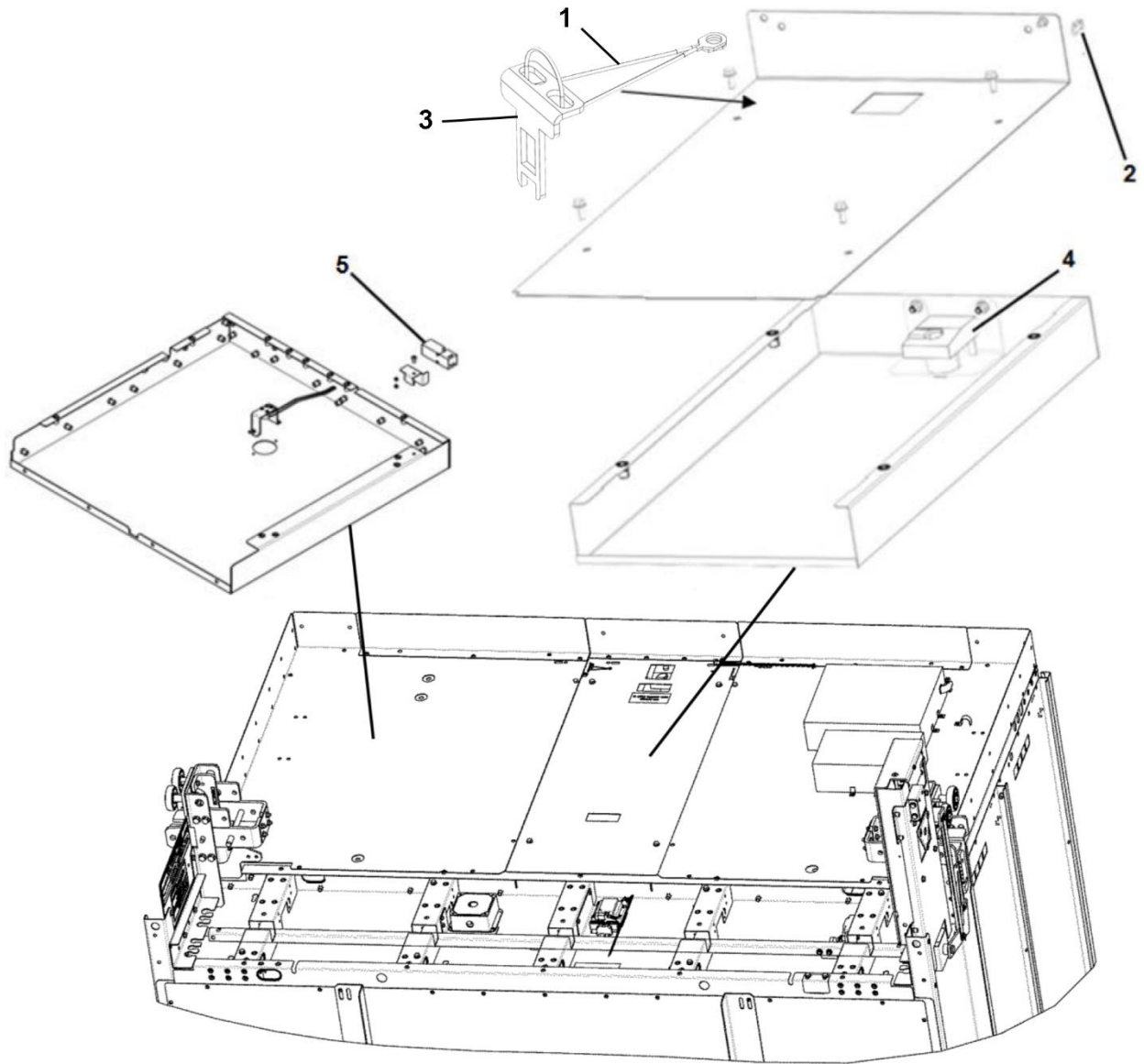
Top-of-Car Handrail

14-AAA29507S



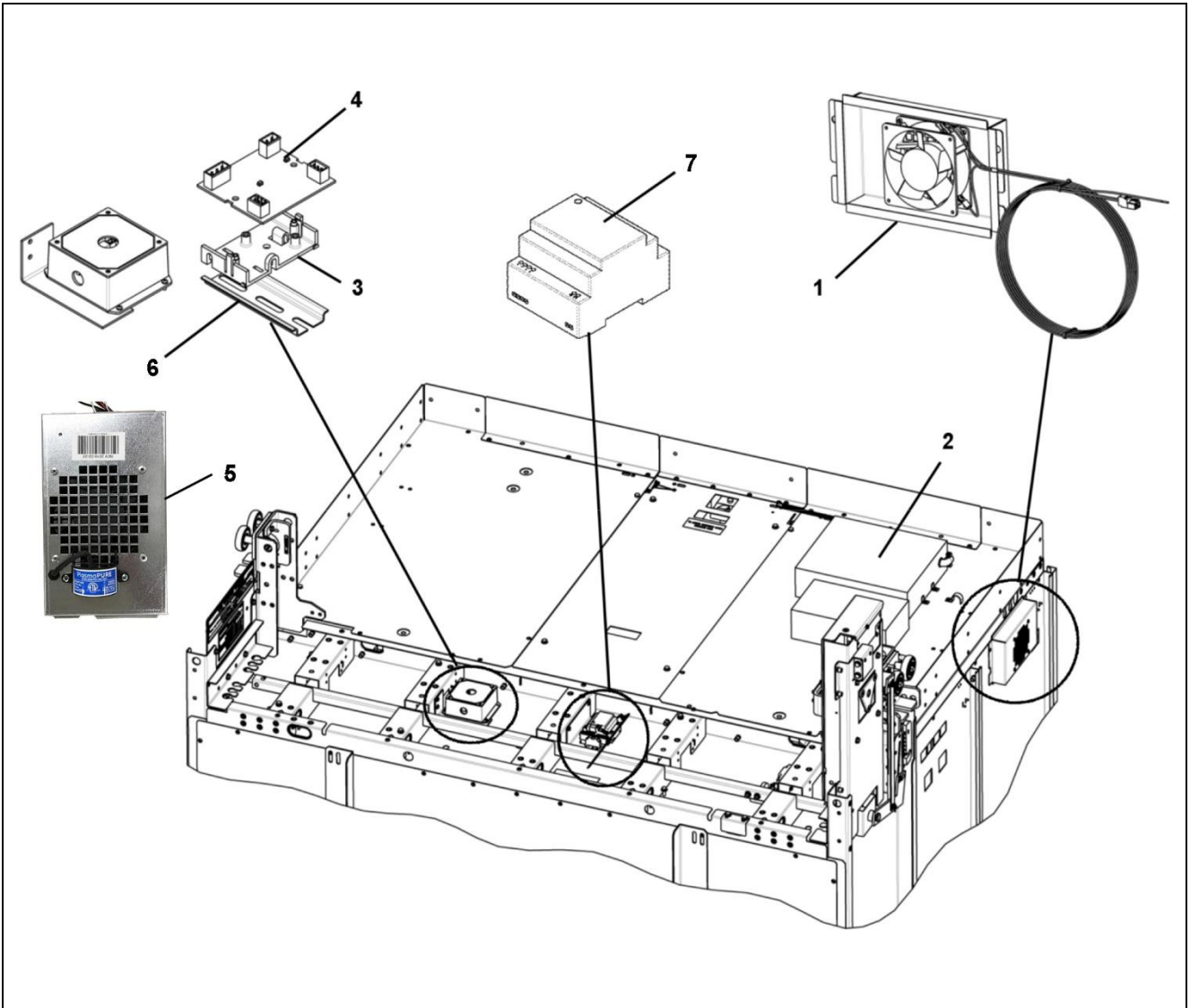
AAA29507S		
REF. No.	PART No.	DESCRIPTION
1	---	Top-of-Car Handrail. See SPL 17-AAA25580CA.
2	---	Top-of-Car Handrail. See SPL 17-AAA25580DS.
3	---	Top-of-Car Handrail. No spare parts for AAA25580EQ assembly.

NOTE: Vintage Tag Locations



AAA29507S

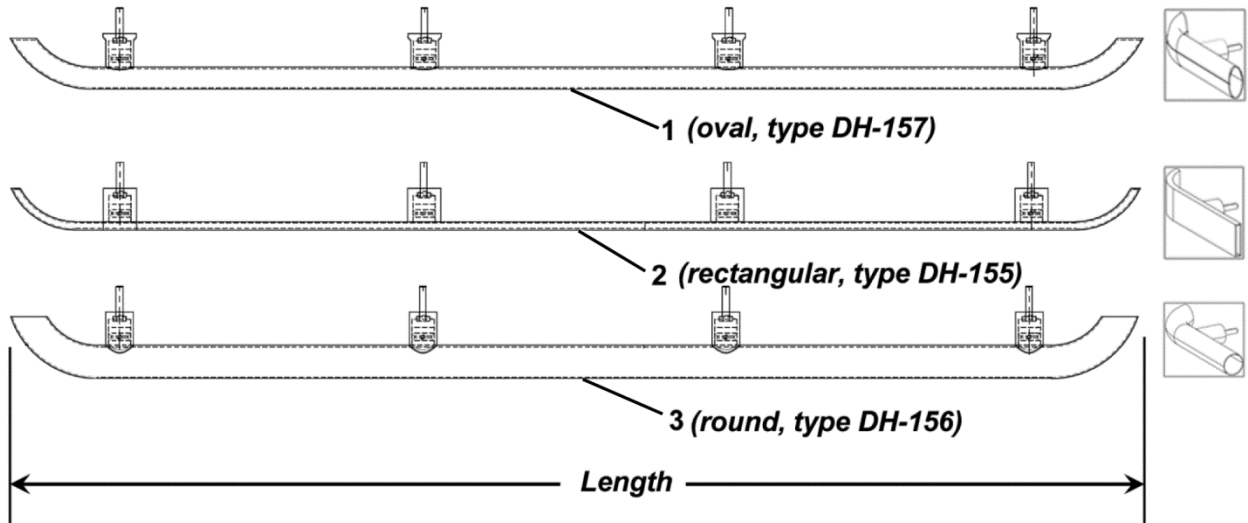
REF. No.	PART No.	DESCRIPTION
1	AAA712AK1	Cable Rope, Lanyard for Key
2	AAA176HZ1	Connector
3	AAA22800T5	Key, Emergency Exit Switch
4	AAA431AM1	Lock, 5-Pin, with 2 Keys (# 1245)
	AAA431AM2	Lock, 5-Pin, with 2 Keys (# 3502). For Massachusetts only.
5	AAA22800T4	Switch, Emergency Exit



AAA29507S		
REF. No.	PART No.	DESCRIPTION
1	AAA24720AB1	Fan, HydroFit
	AAA24720AB2	Fan, Gen2 Underslung
2	AAA24720M7	Fan, Variable Speed
3	AAA180FE1	Holder, PC Board
4	AAA24591AM117	PC Board, OPTIGUARD™
5	AAA24720AE1	Purifier, Air, Ionizing
6	401B89	Rail
7	AAA621AT25	Supply, Power (for 4W light fixture)
	AAA621AT35	Supply, Power (for 2W light fixture)

14-AAA29507S

In-Car Handrails, Rear



AAA29507S

REF. No.	PART No.	FINISH	DUTIES (lb.)	LENGTH	HANDRAIL SHAPE
1	AAA139DG1-FINISH	FS4 (Brushed Stainless Steel)	2100	59.65 in. (1515 mm)	Oval, DH-157, 1 x 2 in. (24.5 x 50.8 mm)
	AAA139DG2-FINISH		2500, 3000, 3500	68.9 in. (1750 mm)	
	AAA139DG6-FINISH		4000P	80.9 in. (2055 mm)	
2	AAA139DE1-FINISH	SS8 (Mirrored Stainless Steel) FS4 (Brushed Stainless Steel) BR7 (Brushed Bronze)	2100	59.65 in. (1515 mm)	Rectangular, DH-155, 2 x 0.375 in. (50.8 x 9.5 mm)
	AAA139DE2-FINISH		2500, 3000, 3500	68.9 in. (1750 mm)	
	AAA139DE6-FINISH		4000P	80.9 in. (2055 mm)	
3	AAA139DF1-FINISH	BR8 (Mirrored Bronze) DBR (Dark Oxidized Bronze) LBR (Light Oxidized Bronze)	2100	59.65 in. (1515 mm)	Round, DH-156, 1.5 in. (38.1 mm) Diameter
	AAA139DF2-FINISH		2500, 3000, 3500	68.9 in. (1750 mm)	
	AAA139DF6-FINISH		4000P	80.9 in. (2055 mm)	

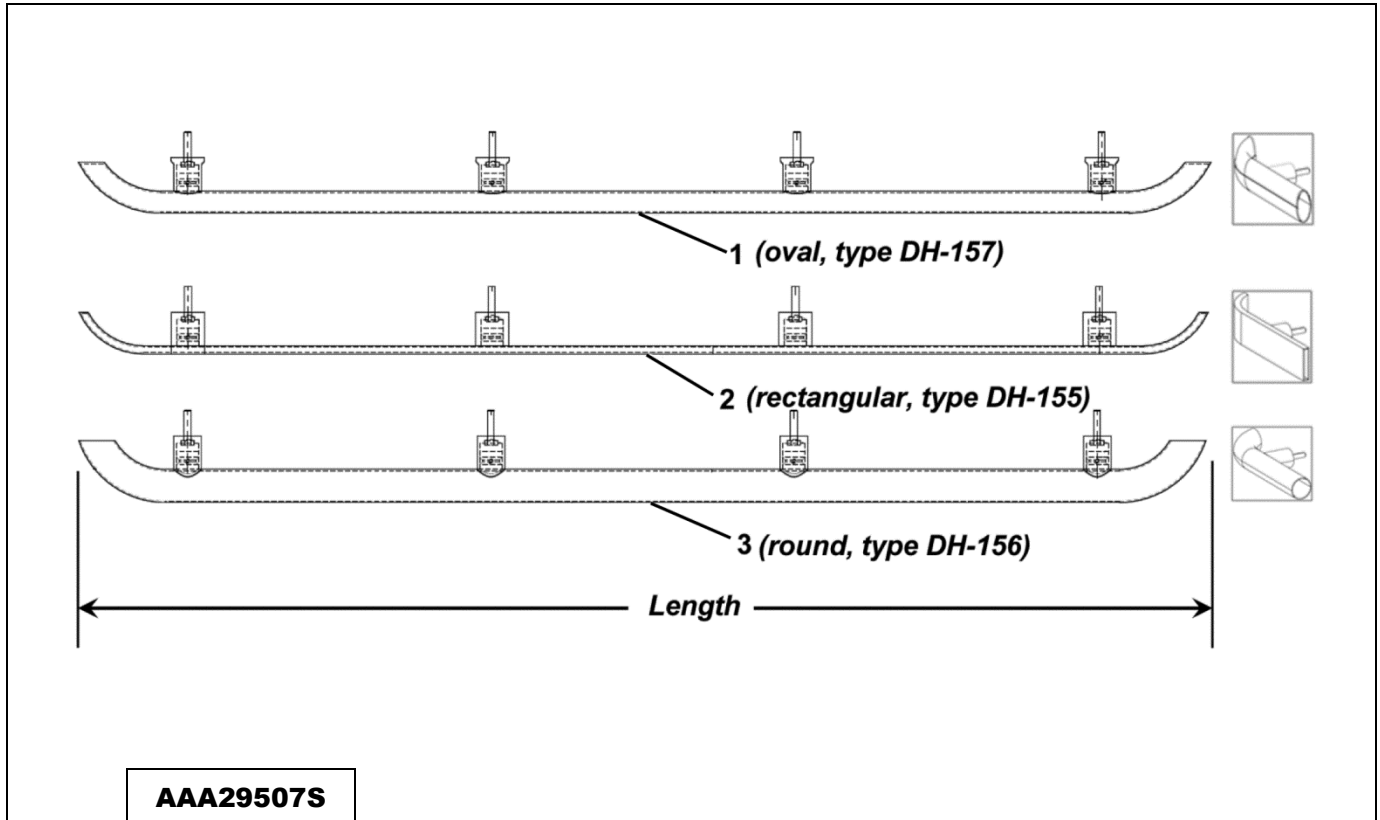
NOTE: Specify surface finish.

Example: AAA139DE2-SS8 for mirrored stainless steel finish.

(Continued on next page)

In-Car Handrails, Side

14-AAA29507S



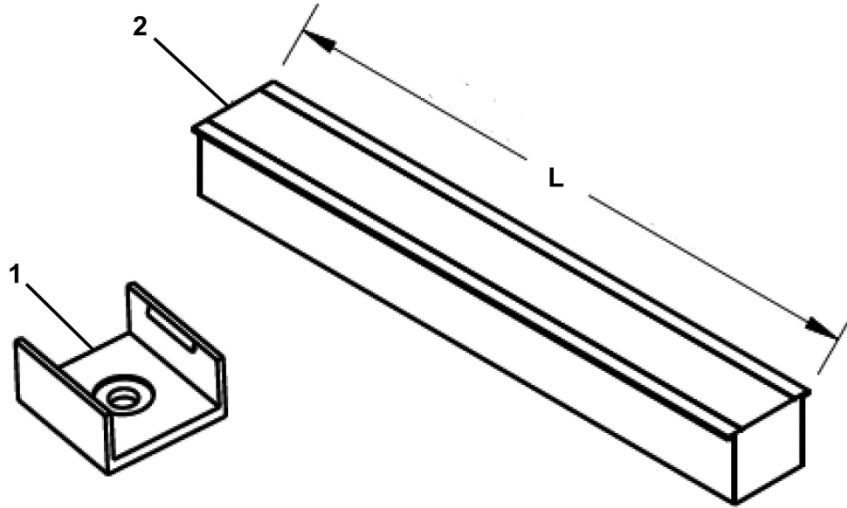
AAA29507S					
REF. No.	PART No.	FINISH	DUTIES (lb.)	LENGTH	HANDRAIL SHAPE
1	AAA139DG4-FINISH	FS4 (Brushed Stainless Steel)	3000	50.9 in. (1293 mm)	Oval, DH-157, 1 x 2 in. (24.5 x 50.8 mm)
	AAA139DG3-FINISH		2100, 2500	42.28 in. (1074 mm)	
	AAA139DG5-FINISH		3500, 4000	56.3 in. (1430 mm)	
2	AAA139DE4-FINISH	SS8 (Mirrored Stainless Steel) FS4 (Brushed Stainless Steel) BR7 (Brushed Bronze)	3000	50.9 in. (1293 mm)	Rectangular, DH-155, 2 x 0.375 in. (50.8 x 9.5 mm)
	AAA139DE3-FINISH		2100, 2500	42.28 in. (1074 mm)	
	AAA139DE5-FINISH		3500, 4000	56.3 in. (1430 mm)	
3	AAA139DF4-FINISH	BR8 (Mirrored Bronze) DBR (Dark Oxidized Bronze) LBR (Light Oxidized Bronze)	3000	50.9 in. (1293 mm)	Round, DH-156, 1.5 in. (38.1 mm) Diameter
	AAA139DF3-FINISH		2100, 2500	42.28 in. (1074 mm)	
	AAA139DF5-FINISH		3500, 4000	56.3 in. (1430 mm)	

NOTE: Specify surface finish.

Example: AAA139DE2-SS8 for mirrored stainless steel finish.

14-AAA29507S

Light Fixture

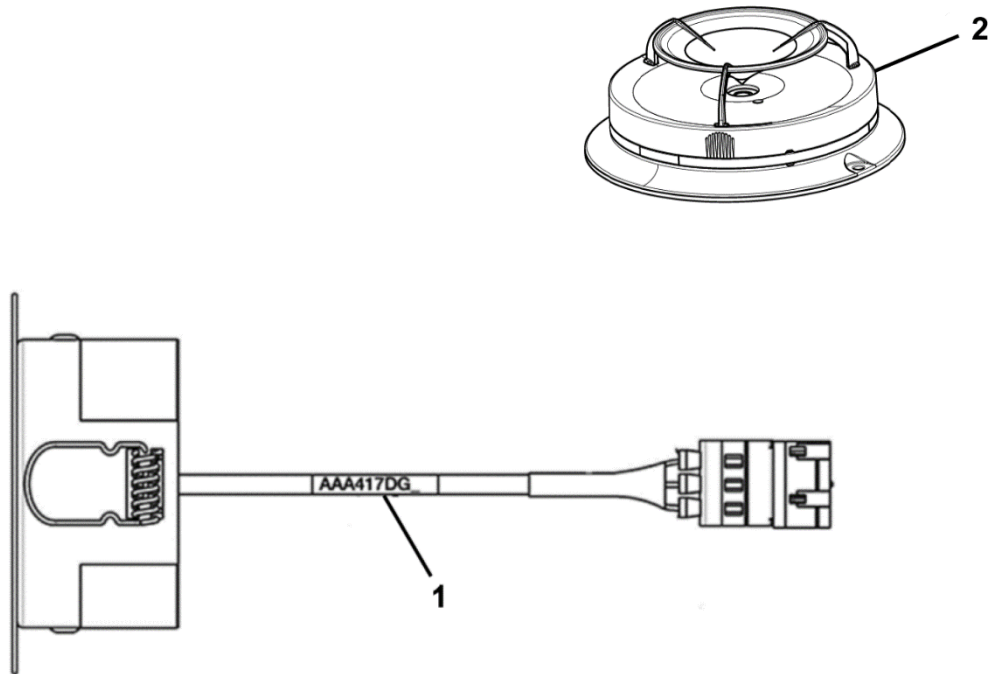


REF. No.	AAA29507S PART No.	DESCRIPTION	L
1	AAA24710T514 AAA417DM23	Clip, Mounting, Light Fixture	---
2	AAA24710T500 AAA417DM2	Fixture, Light, Side	1164
	AAA24710T501 AAA417DM4		1383
	AAA24710T502 AAA417DM6		1520
	AAA24710T508 AAA417DM13	Fixture, Light, Front or Rear	1605
	AAA24710T510 AAA417DM15		1840
	AAA24710T511 AAA417DM16		2145
*	AAA417DM22	Harness, Light Fixture	---

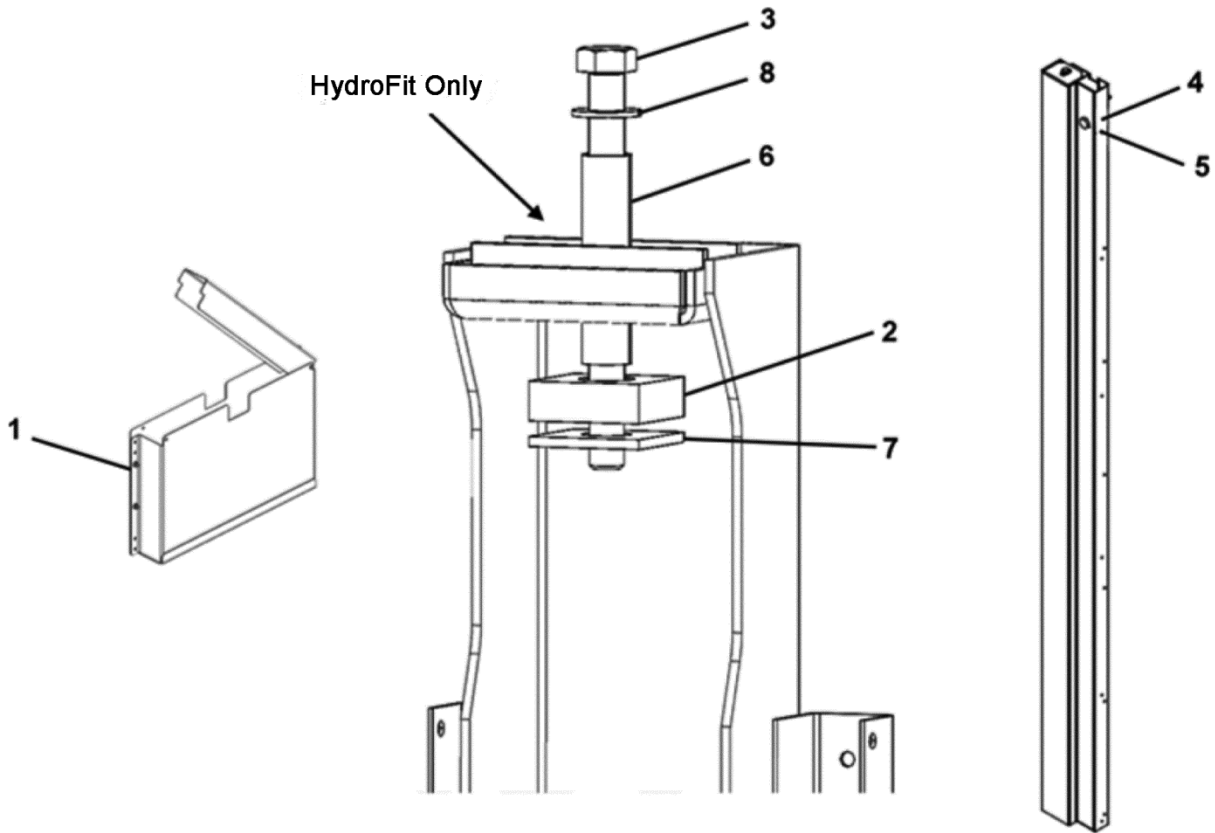
* Part not shown.

Light

14-AAA29507S



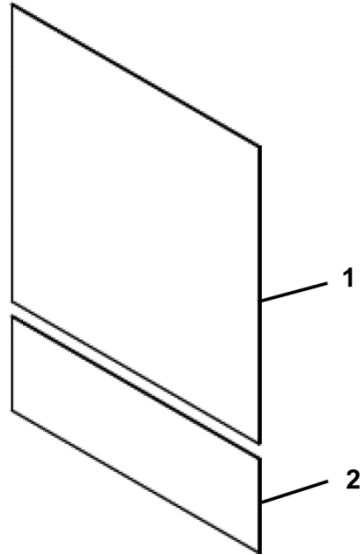
	AAA29507S	
REF. No.	PART No.	DESCRIPTION
1	AAA417DG1	Bulb, LED, Brushed Nickel Finish, 4W
	AAA417DG6	Bulb, LED, Brushed Nickel Finish, 2W
	AAA417DG2	Bulb, LED, White Finish, 4W
	AAA417DG7	Bulb, LED, White Finish, 2W
	AAA417DG3	Bulb, LED, Black Finish, 4W
	AAA417DG8	Bulb, LED, Black Finish, 2W
	AAA417DG4	Bulb, LED, Gold Finish, 4W
	AAA417DG9	Bulb, LED, Gold Finish, 2W
	AAA417DG5	Bulb, LED, Chrome, 4W
	AAA417DG10	Bulb, LED, Chrome, 2W
2	AAA417DN8	Fixture, UVC Light, Inside Cab Mounting Height ≥ 2286 & < 2337
	AAA417DN9	Fixture, UVC Light, Inside Cab Mounting Height ≥ 2337 & < 2439
	AAA417DN10	Fixture, UVC Light, Inside Cab Mounting Height ≥ 2439



AAA29507S		
REF. No.	PART No.	DESCRIPTION
1	AAA308ABY1	Box, for Wiring Diagram (located on top-of-car handrail)
2	310JJ6	Block, Isolation
3	BTFH 7/8X10ZP	Bolt, Hex Head, 7/8 x 10 in. Long (22.2 x 254 mm), 2-Stage Telescopic
	BTFH 3/4X3-1/2ZP	Bolt, Hex Head, 3/4 x 3-1/2 in. Long (19 x 89 mm), Single-Stage Holeless
4	320CV2	Bumper, Strike
5	ISO1234-2x40Z	Pin, Cotter, 2 mm Dia., 40 mm Long
6	377CH53	Pipe, 1.25 in. (31.8 mm) O.D., 11.8 in. (300 mm) Long, 2-Stage Telescopic
	377CH50	Pipe, 0.75 in. (19 mm) O.D., 2.5 in. (63.5 mm) Long, Single-Stage Holeless
7	127XA69	Washer, Steel
8	WSR SAE7/8ZP	Washer, 7/8 in. (22.2 mm) Flat, 2-Stage Telescopic
	WSR SAE3/4ZP	Washer, 3/4 in. (19 mm) Flat, Single-Stage Holeless

Glass Rear Wall Glass and Kit

14-AAA29507S

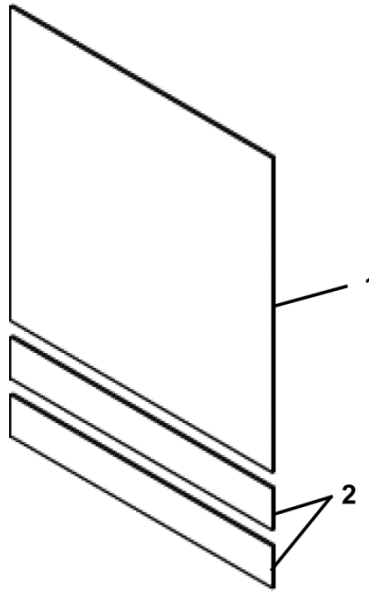


AAA29507S						
REF. No.	PART No.	DESCRIPTION	GLASS THICKNESS (in.)	GLASS WIDTH	GLASS HEIGHT	LOCAL CODE
1	AAA374AER501	Upper Glass	1/4	1492	1293	NOT = (California or Los Angeles California)
	AAA374AER502		9/16		1903	
	AAA374AER503		1/4		1293	
	AAA374AER504		9/16			
	AAA374AER505		1/4	1727	1293	
	AAA374AER506		9/16		1903	
	AAA374AER507		1/4		1293	
	AAA374AER508		9/16			
	AAA374AER509		1/4	2032	1293	
	AAA374AER510		9/16		1903	
	AAA374AER511		1/4		608	
	AAA374AER512		9/16			
2	AAA374AER529	Lower Glass	1/4	1492	608	
	AAA374AER530		9/16			
	AAA374AER531		1/4	1727		
	AAA374AER532		9/16			
	AAA374AER533		1/4	2032		
	AAA374AER534		9/16			

(Continued on next page)

14-AAA29507S

Glass Rear Wall Glass and Kit



AAA29507S						
REF. No.	PART No.	DESCRIPTION	GLASS THICKNESS (in.)	GLASS WIDTH	GLASS HEIGHT	LOCAL CODE
1	AAA374AER543	Upper Glass	9/16	1486	1287	California or Los Angeles California
	AAA374AER544				1897	
	AAA374AER545			1721	1287	
	AAA374AER546				1897	
	AAA374AER547			2026	1287	
	AAA374AER548				1897	
2	AAA374AER557	Lower Glass	9/16	1486	250	California or Los Angeles California
	AAA374AER558			1721		
	AAA374AER559			2026		

REF. No.	AAA29507S	LOCAL CODE	GLASS THICKNESS (in.)
*	AAA374AER400	NOT = (California or Los Angeles California)	1/4
	AAA374AER401		9/16
	AAA374AER402	California or Los Angeles California	

* not shown