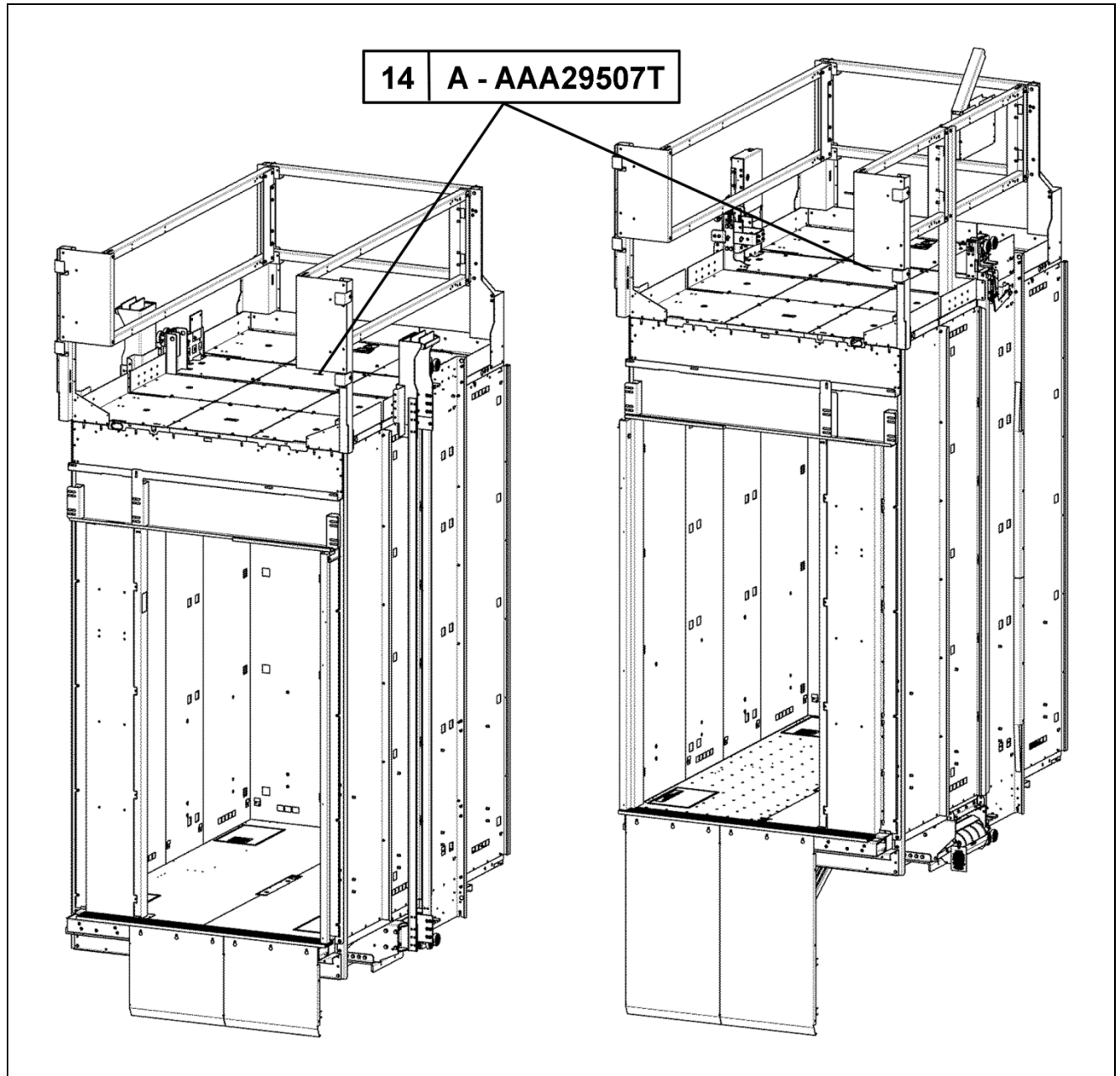


**Gen2<sup>®</sup> Underslung &  
HydroFit<sup>®</sup> Service Carframes  
(4000–5000 lb. Duties)**

**Spare Parts Leaflet  
14-AAA29507T**

November 8, 2023 / Page 1 of 22



**OTIS**

This document does not contain any  
technical data subject to EAR or ITAR

**SERVICE ENGINEERING  
Otis Elevator Company  
Bloomfield, Connecticut USA**

Unpublished Work—© Otis Elevator Co.; 2023

**Leaflet Description**

This spare parts leaflet covers the carframe spare parts used on the Gen2 service duty carframes (also known as the Gen2 Underslung or G2S) and the HydroFit service duty carframes, 4000–5000 lb. duties.

**Leaflet Revisions**

<b>Date Revised</b>	<b>Subject Matter Expert</b>	<b>Reason for Revision</b>
November 8, 2017	Jay Lengacher	New SPL
March 20, 2019	Juan Murillo and Richard Blakelock	Added Top-of-Car Handrail to p. 11
May 26, 2021	Juan Murillo and Richard Blakelock	Added p/n AAA321MJ1 on p. 8; Updated LED part numbers in Ref. 1 on p. 19
June 30, 2021	Juan Murillo & Ted Kingsley	CN1558705: Replaced P/Ns on p. 18
February 16, 2022	Juan Murillo & Jay Lengacher	Added air ionizer on p. 12 and UVC light on p. 19
November 8, 2023	Juan Murillo	Updated p. 12

**Related Drawings**

<b>Drawing No.</b>	<b>Title</b>	<b>Drawing No.</b>	<b>Title</b>
AAA29507T_TDS	G2S/HF Service Duty Technical Data Sheets	AAA29503J_TDS	Gen2 & HydroFit Cab TDS

**Related Documents**

<b>Document ID</b>	<b>Title</b>	<b>Document ID</b>	<b>Title</b>
SPL 15-TAA20641J	Governor	SPL 14-AAA20780Y	Integrated Sheave Kit
SPL 14-AAA24180BC	Roller Guides	SPL 14-KAA24120AAJ	P45A Progressive Safety - ASME A17.1 Applications
SPL 14-AAA24180BE	Roller Guides	SPL 17-AAA25580CA	Top-of-Car Handrail

**Subject Matter Expert**

<b>Name</b>	<b>Department</b>
Richard Blakelock	New Products, Florence

**About Spare Parts Leaflets...**

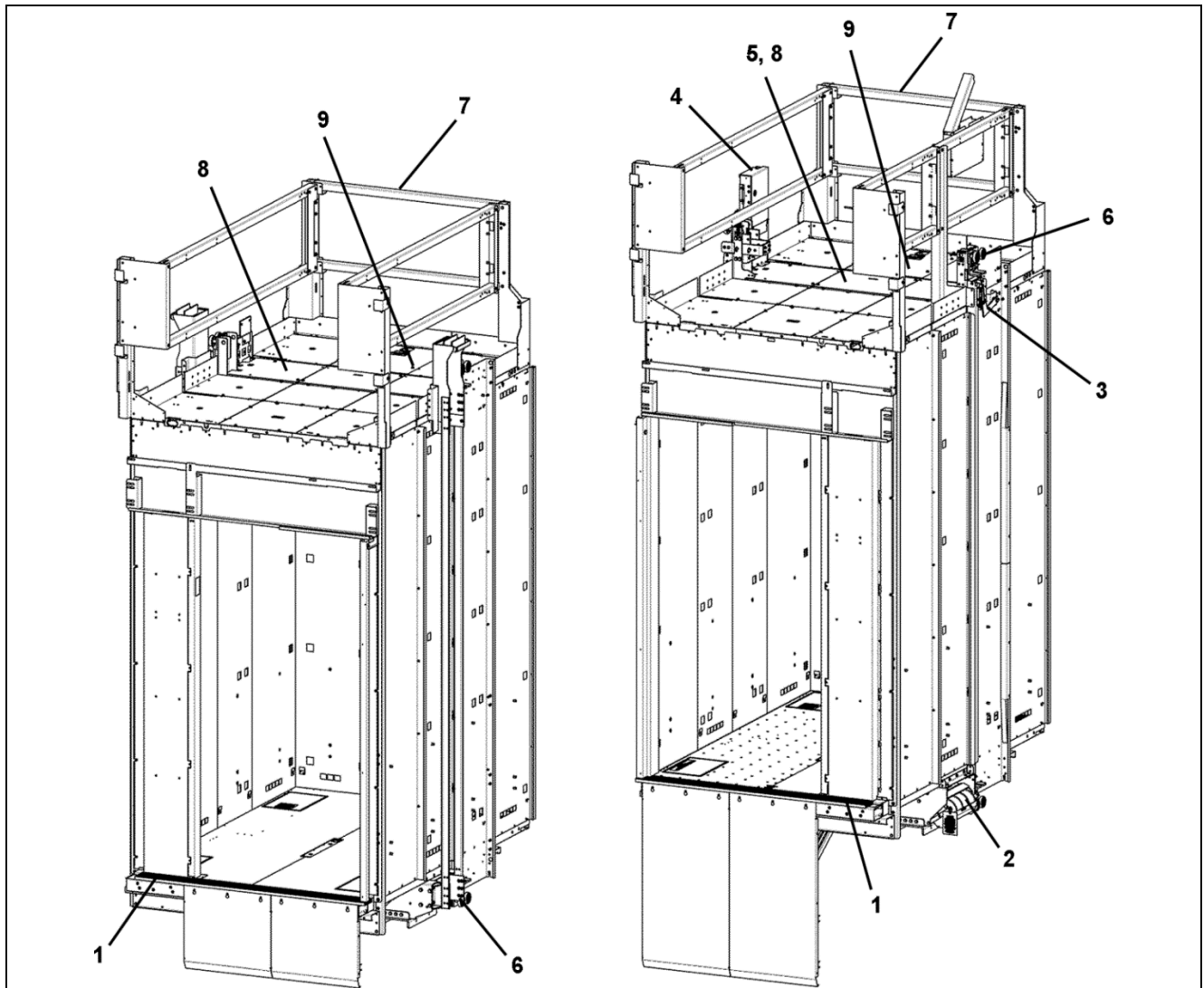
This document lists the lowest replaceable units (LRUs) for the standard version of the product. The LRUs are chosen by a team of Otis associates representing engineering and manufacturing.

While goal of this document is to make parts identification as easy as possible, the document cannot be all-inclusive. Elevator and escalator contracts classified as “special” or “custom” are not addressed here. For such contracts, please refer to specified information, the contract folder, TIPs, Field Education Articles, Construction Letters, etc. for further information.

If you have any suggestions about this document, please contact the subject matter expert listed on this page.

# Table of Contents

**14-AAA29507T**

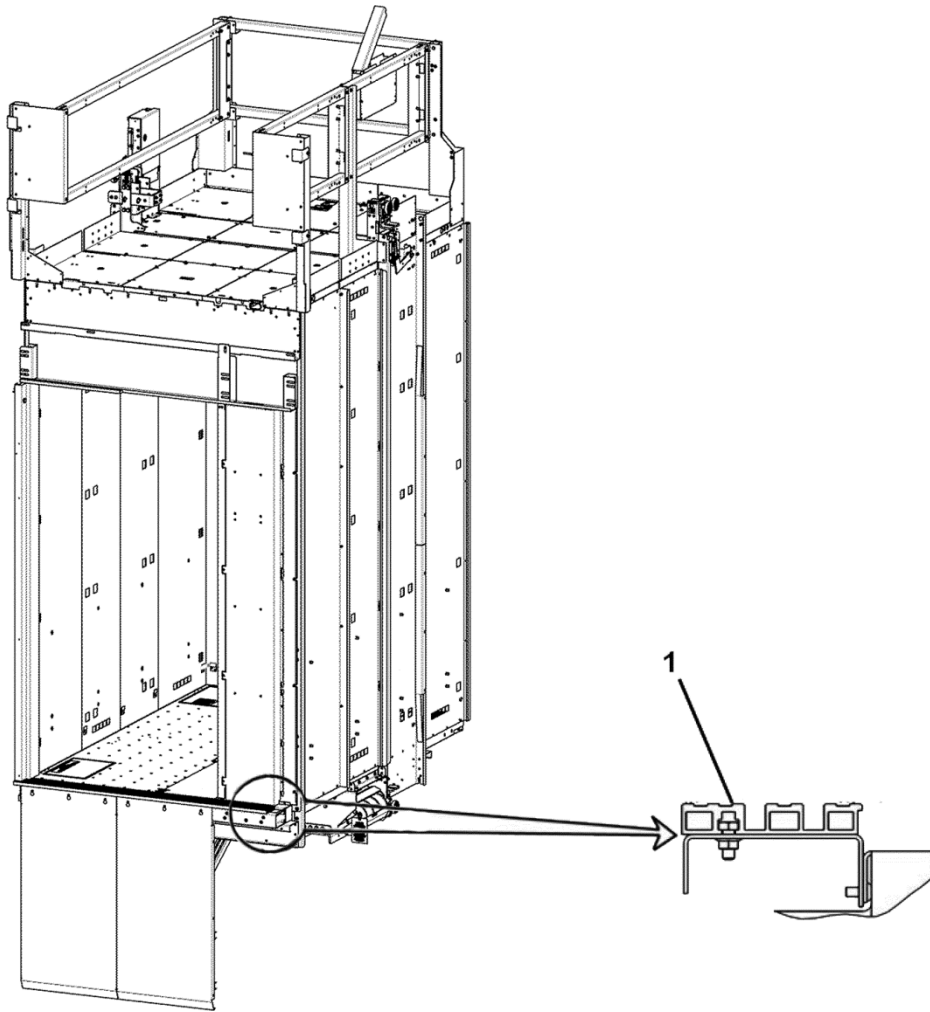


REF. No.	PAGE No.	DESCRIPTION
1	4	Threshold
2	5	Sheave Assembly
3	6	Safeties
4	7	Governor
5	8-9	Safety Linkages
6	10	Roller Guides
7	11	Top-of-Car Handrail
8	12	Crosshead Electrical Components and Variable Speed Fan and Air Ionizer
9	13	Top-of-Car Emergency Exit
*	14-17	Handrails & Bumper Rails, In Car
*	18-19	Drop Ceiling (Light Fixture and Light Bulb) and UVC Light Fixture
*	20	Miscellaneous Spare Parts
*	21-22	Glass Wall

\* Parts not shown

# 14-AAA29507T

# Threshold, Two-Speed Operators

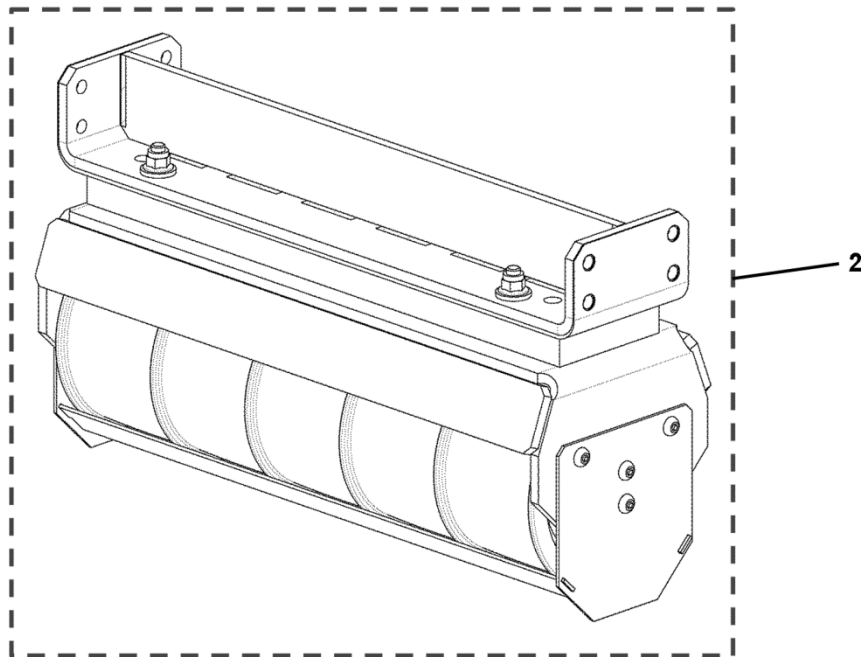
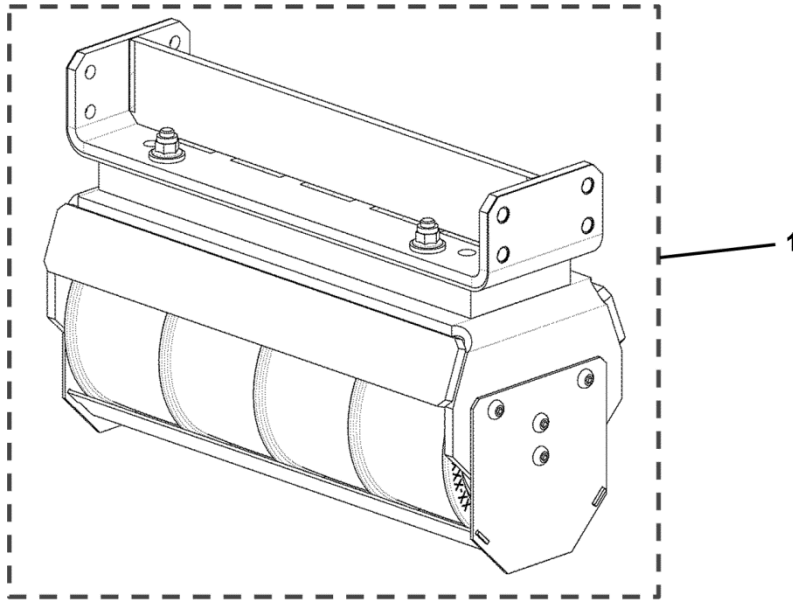


## AAA29507T

REF. No.	PART No.	DESCRIPTION	MATERIAL	OPENING WIDTH	LENGTH
1	AAA280BJ22	Shape, Threshold, No Holes/Slots	Aluminum	N/A	73 in. (1855 mm)
	AAA280BN22		Bronze		
	AAA280BM22		Nickel Silver		
	AAA280BJ11	Threshold	Aluminum	48 in. (1219 mm)	65.5 in. (1664 mm)
	AAA280BJ14		Aluminum	54 in. (1372 mm)	73 in. (1855 mm)
	AAA280BN11		Bronze	48 in. (1219 mm)	65.5 in. (1664 mm)
	AAA280BN14		Bronze	54 in. (1372 mm)	73 in. (1855 mm)
	AAA280BM11		Nickel Silver	48 in. (1219 mm)	65.5 in. (1664 mm)
	AAA280BM14		Nickel Silver	54 in. (1372 mm)	73 in. (1855 mm)

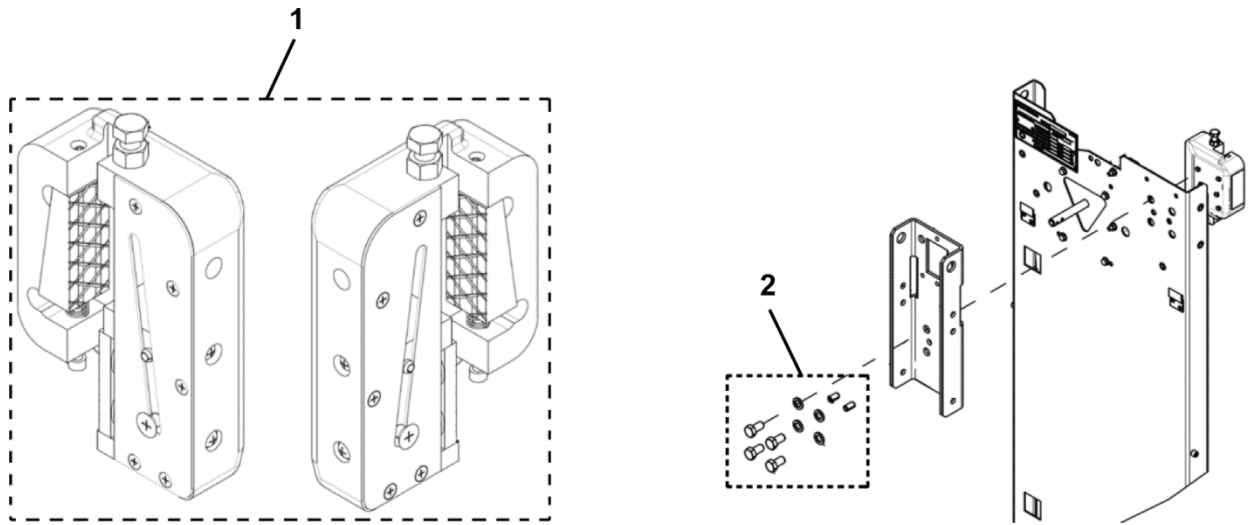
# Sheave Assembly


**14-AAA29507T**



AAA29507T			
REF. No.	PART No.	DESCRIPTION	NOTE
1	AAA20780AR1	Assembly, Sheave and Housing, 4 Grooves, 64 kN	For additional service parts detail, 👁️ SPL 14-AAA20780Y
2	AAA20780AR2	Assembly, Sheave and Housing, 5 Grooves, 64 kN	
*	NON1241M10X25-8.8Z	Bolt, Mounting, M10X25, 8 Required	

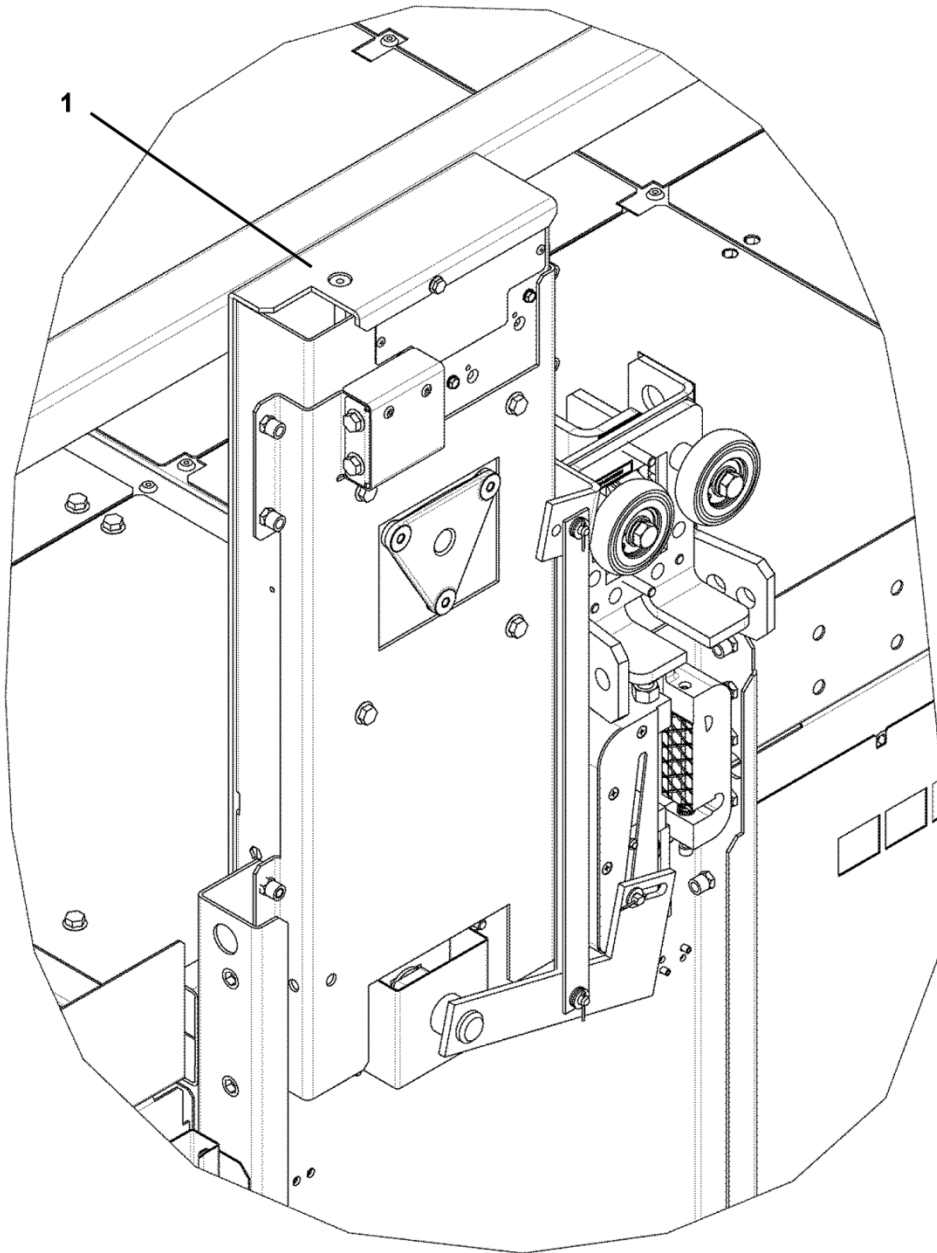
\* Part not shown



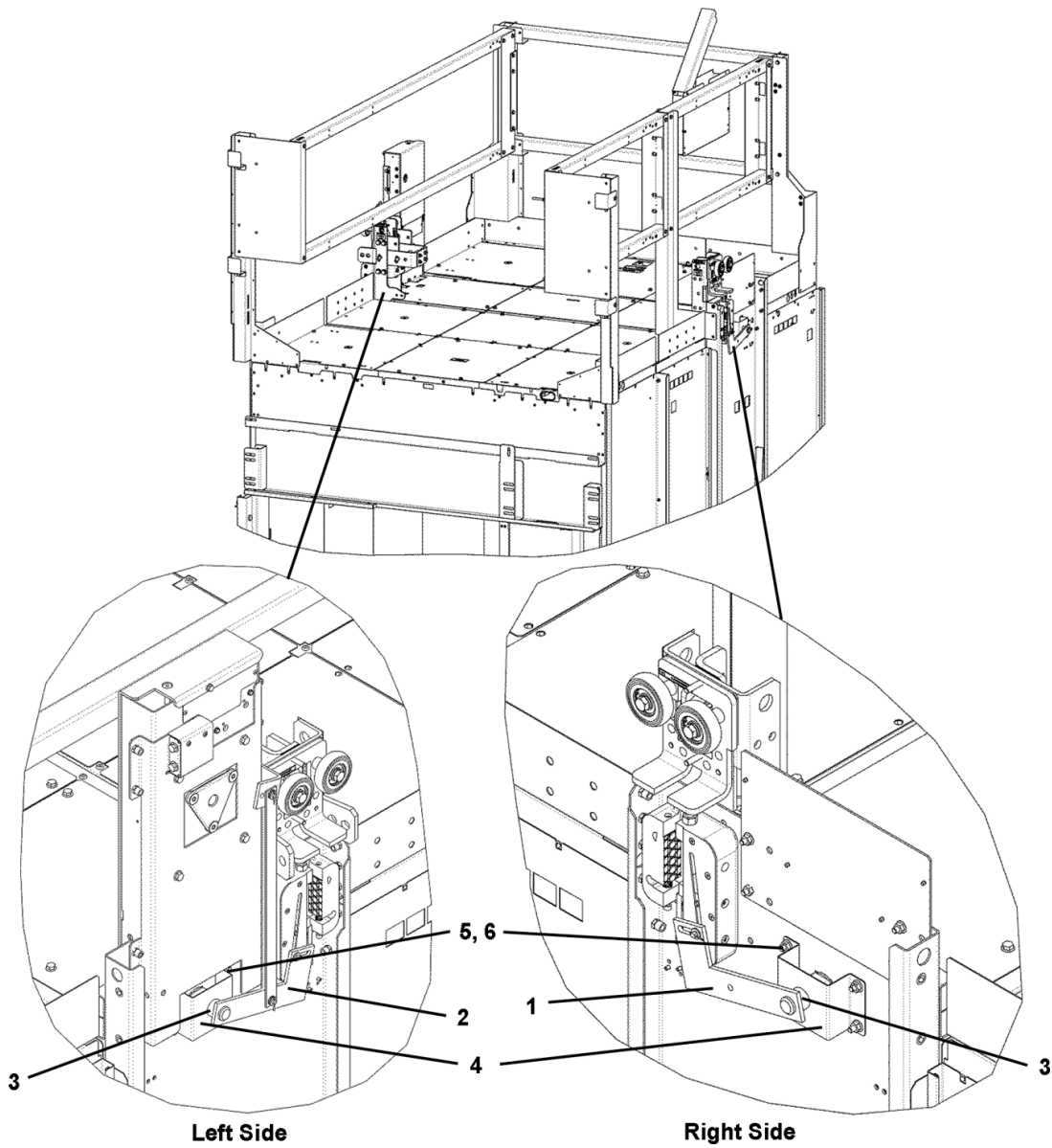
AAA29507T		
REF. No.	PART No.	DESCRIPTION
1	---	Assembly, Safety Kit,  SPL 14-KAA24120AAJ
2	AAA29507E425	Kit, Safety Mounting Hardware, Includes: 8 M16X30 Bolts and 8 M16 Spring Lockwashers

# Governor

**14-AAA29507T**



AAA29507T		
REF. No.	PART No.	DESCRIPTION
1	---	Governor, Manual and Remote Set, 150 and 200 fpm 👁 SPL 15-TAA20641J
	---	Governor, Manual and Remote Set (350 fpm). 👁 SPL 15-TAA20641H



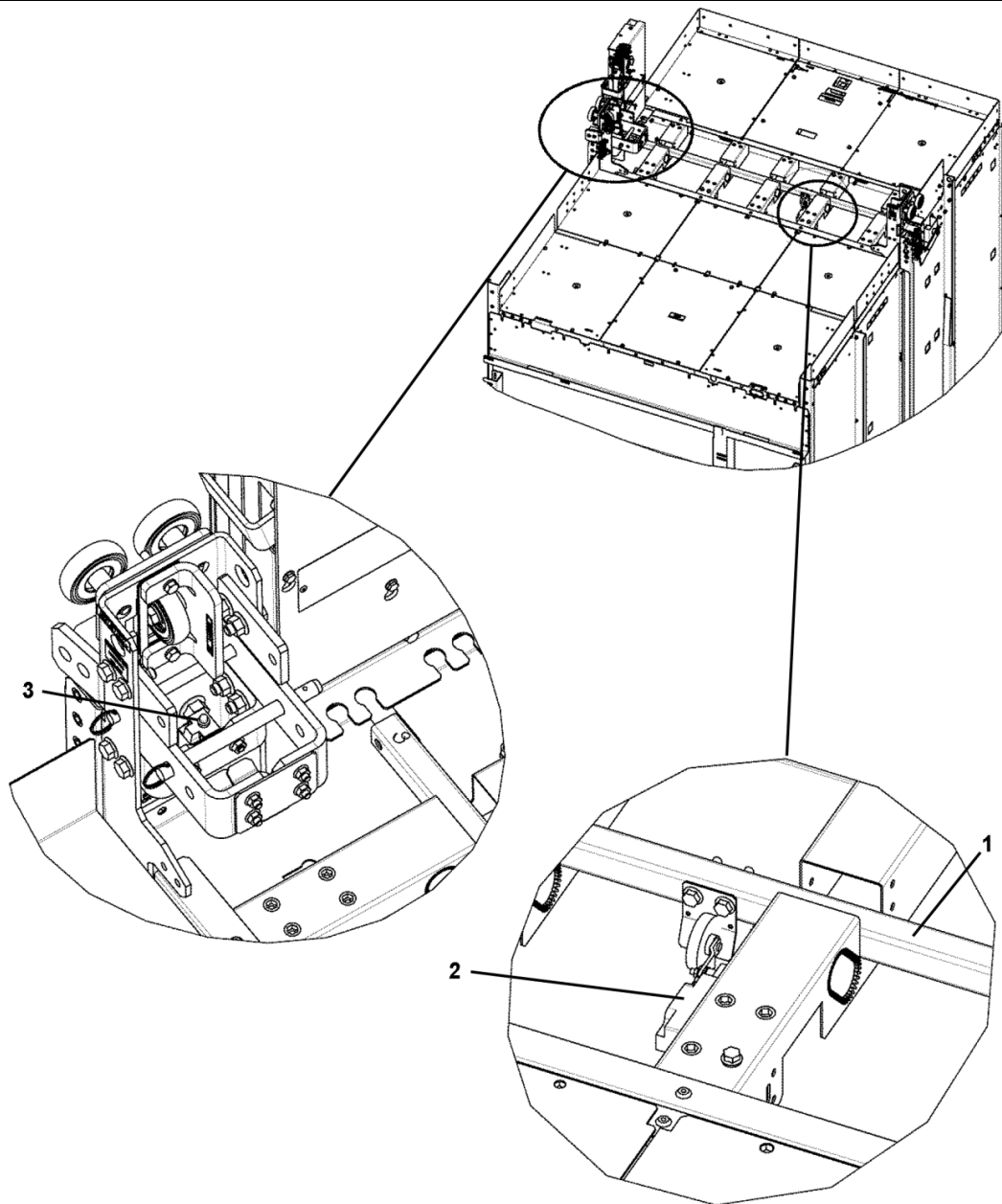
<b>AAA29507T</b>		
<b>REF. No.</b>	<b>PART No.</b>	<b>DESCRIPTION</b>
1	AAA288AEZ1	Arm, Safety Lever, Left Side
2	AAA288AEZ2	Arm, Safety Lever, Right Side
3	AAA321LL2 AAA321MJ1	Bushing
4	AAA315ADS2	Channel, Formed
5	NON7201M8-8-Z	Nut, M8 Hex Nut w/ Serrated Flange
6	NON1241M8x20-8.8Z	Screw, M8x20 Hex Head w/ Serrated Flange

*(Continued on next page)*

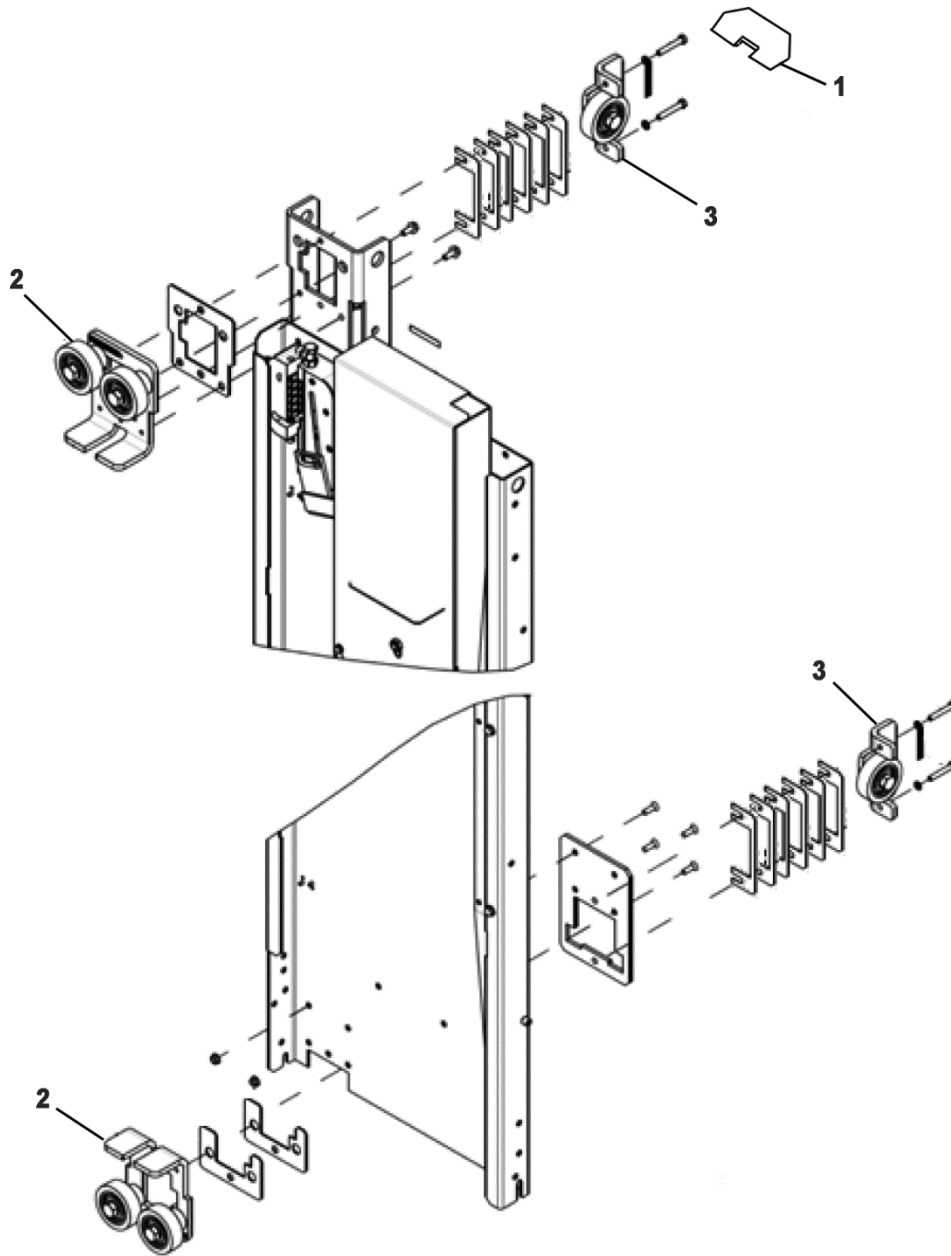


# Safety Linkages

**14-AAA29507T**



AAA29507T		
REF. No.	PART No.	DESCRIPTION
1	AAA135HT4	Assembly, Safety Linkage Shaft, 4000, 4500 lb. Duties, Length = 1568 mm (61.75 in.)
	AAA135HT5	Assembly, Safety Linkage Shaft, 5000 lb. Duty, Length = 1714 mm (67.5 in.)
	AAA135HT6	Assembly, Safety Linkage Shaft, 5000 lb. (AIA) Duty, Length = 1600 mm (63.0 in.), Entrance Width = 1219 mm
	AAA135HT8	Assembly, Safety Linkage Shaft, 5000 lb. (AIA) Duty, Entrance Width = 1372 mm, Length = 1638 mm (64.5 in.)
2	AAA22800T3	Switch, SOS
3	AAA22800T6	Switch, Blocking



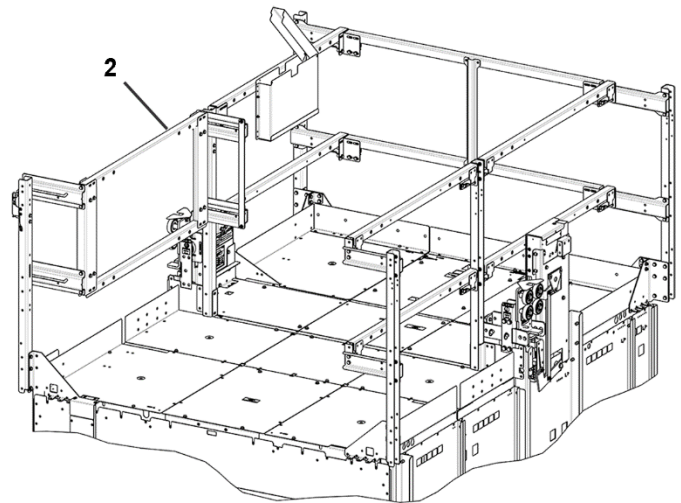
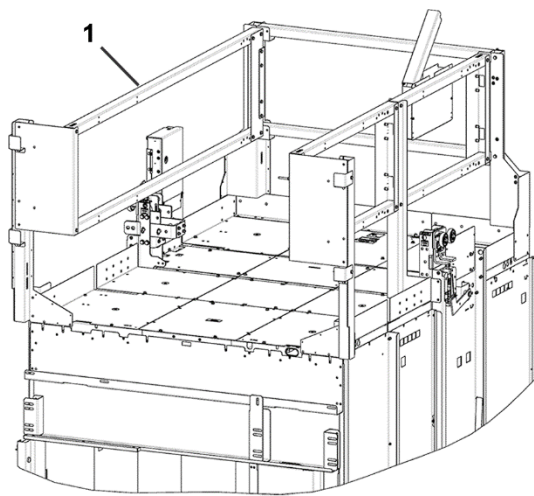
**AAA29507T**



REF. No.	PART No.	DESCRIPTION
1	AAA29507L453	Kit, Hardware, Roller Guide Top Guard, <b>NOTE</b>
2	---	Rollers, Front, Back and Post,  SPL 14-AAA24180BC
3		

**NOTE:** This top guard will only be supplied to the city of LA.

# Top-of-Car Handrail

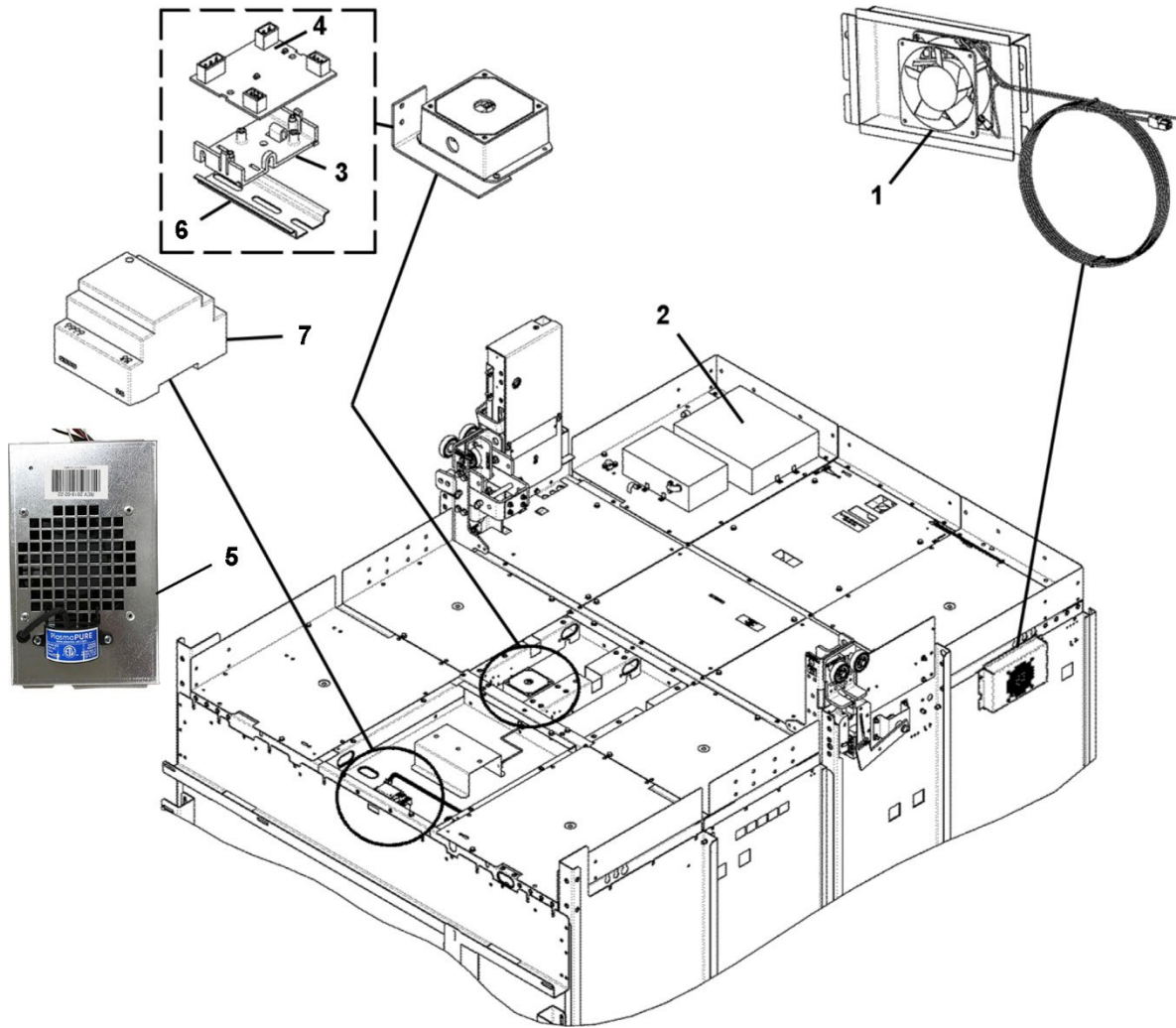
**14-AAA29507T**



<b>AAA29507T</b>		
<b>REF. No.</b>	<b>PART No.</b>	<b>DESCRIPTION</b>
1	---	Handrail, Top-of-Car, Type AAA25580CM;  SPL 17-AAA25580CA
2	---	Handrail, Top-of-Car, Type AAA25580DS;  SPL 17-AAA25580DS

# 14-AAA29507T

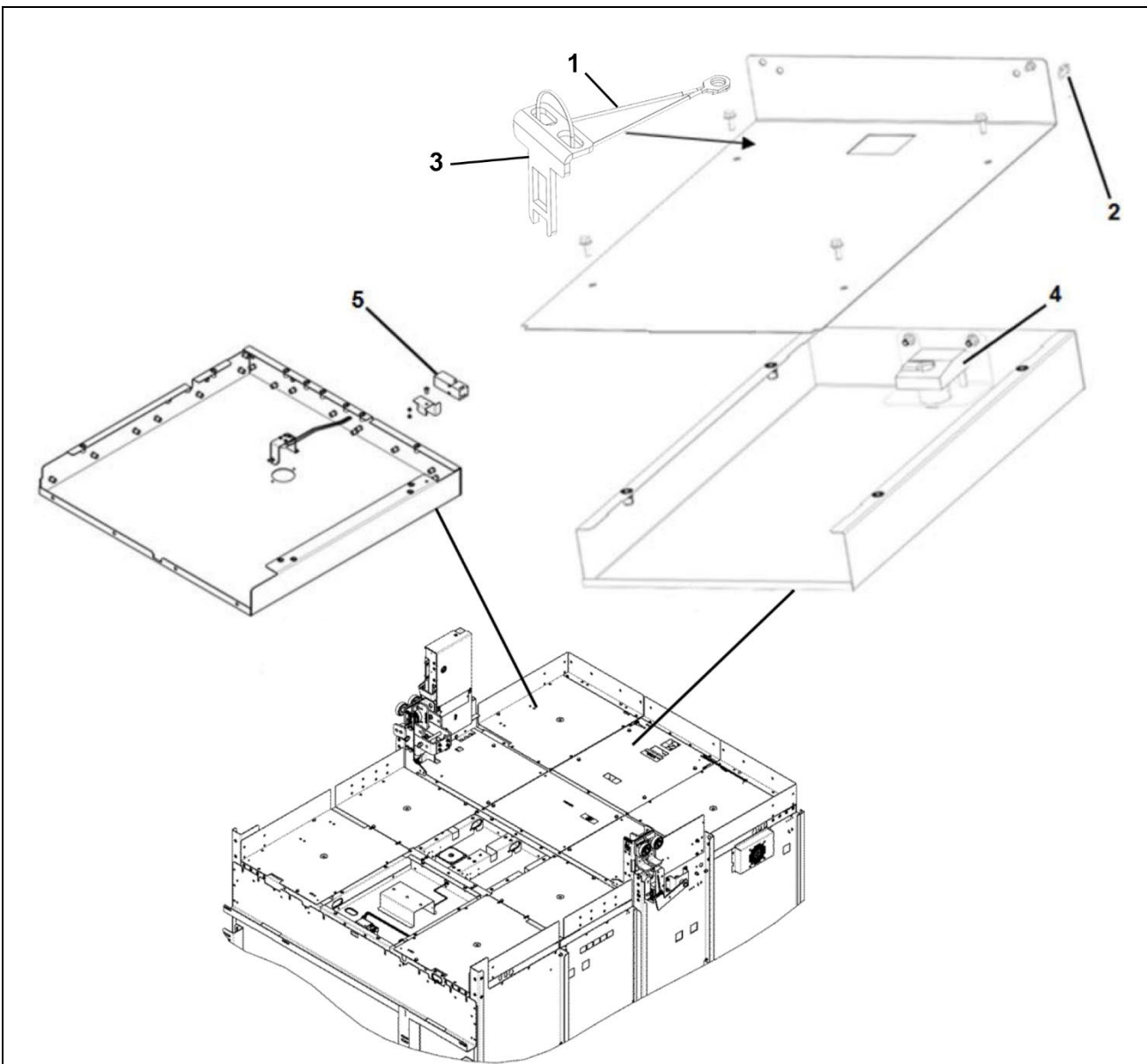
# Crosshead Electrical Components



AAA29507T		
REF. No.	PART No.	DESCRIPTION
1	AAA24720AB1	Fan, HydroFit
	AAA24720AB2	Fan, Gen2 Underslung
2	AAA24720M7	Fan, Variable Speed
3	AAA180FE1	Holder, PC Board
4	AAA24591AM117	PC Board, OPTIGUARD™
5	AAA24720AE1	Purifier, Air, Ionizing
6	401B89	Rail
7	AAA621AT25	Supply, Power, for 4W Bulb
	AAA621AT35	Supply, Power, for 2W Bulb

# Top-of-Car Emergency Exit

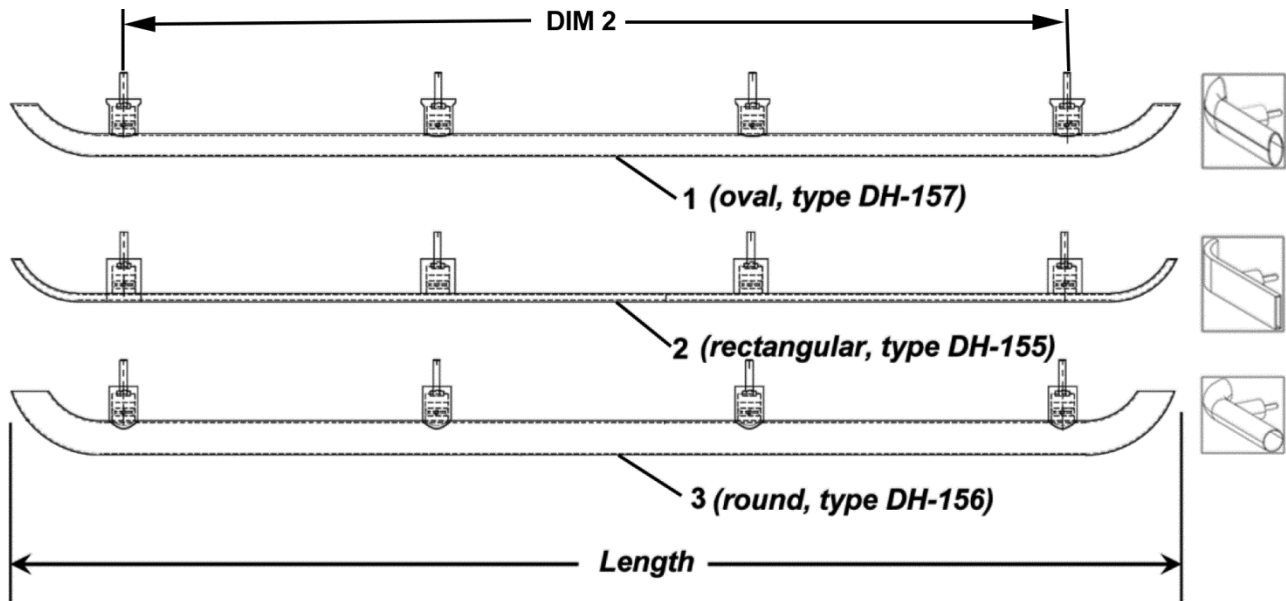
**14-AAA29507T**



<b>AAA29507T</b>		
<b>REF. No.</b>	<b>PART No.</b>	<b>DESCRIPTION</b>
1	AAA712AK1	Cable Rope, Lanyard for Key
2	AAA176HZ1	Connector
3	AAA22800T5	Key, Emergency Exit Switch
4	AAA431AM1	Lock, 5-Pin, w/ 2 Keys (#1245)
	AAA431AM2	Lock, 5-Pin, w/ 2 Keys (#3502). For Massachusetts Only.
5	AAA22800T4	Switch, Emergency Exit

# 14-AAA29507T

# In-Car Handrails, Rear



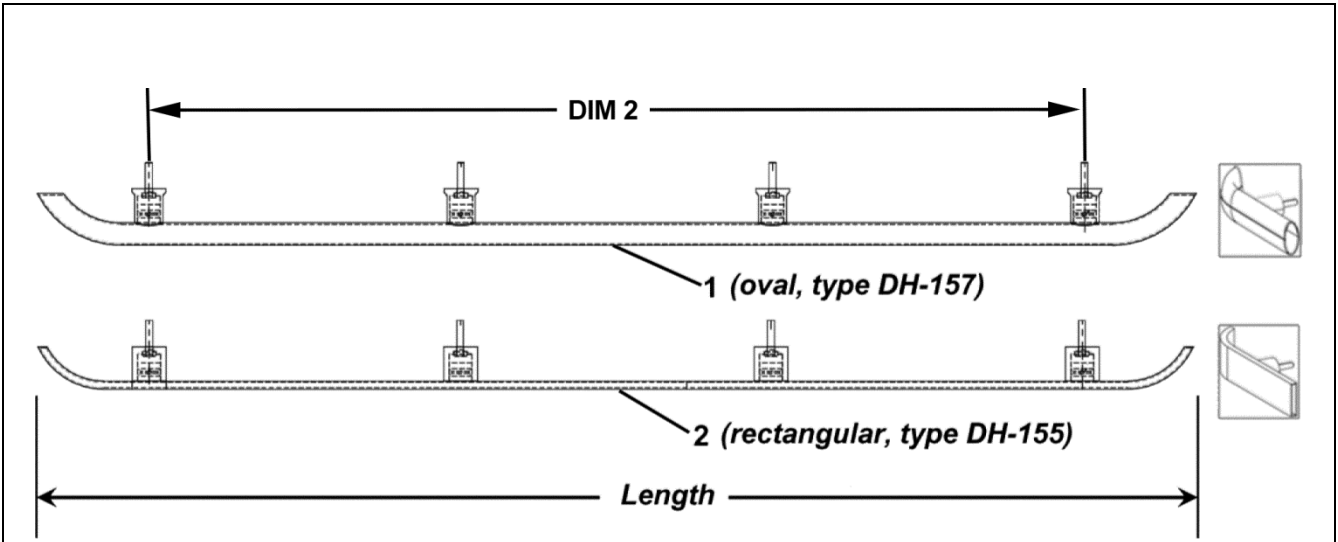
AAA29507T						
REF. No.	PART No.	FINISH	DUTIES (lb.)	LENGTH	DIM 2	HANDRAIL SHAPE
1	AAA139DG7-FINISH	FS4 (Brushed Stainless Steel)	4000, 4500	56.9 in. (1445 mm)	47 in. (1195 mm)	Oval, DH-157, 1 x 2 in. (24.5 x 50.8 mm)
	AAA139DG8-FINISH		5000	62.65 in. (1591 mm)	52.8 in. (1341 mm)	
	AAA139DG9-FINISH		5000 (AIA)	58.15 in. (1477 mm)	48.3 in. (1227 mm)	
2	AAA139DE7-FINISH	SS8 (Mirrored Stainless Steel) FS4 (Brushed Stainless Steel) BR7 (Brushed Bronze)	4000, 4500	56.9 in. (1445 mm)	47 in. (1195 mm)	Rectangular, DH-155, 2 x 0.375 in. (50.8 x 9.5 mm)
	AAA139DE8-FINISH		5000	62.65 in. (1591 mm)	52.8 in. (1341 mm)	
	AAA139DE9-FINISH		5000 (AIA)	58.15 in. (1477 mm)	48.3 in. (1227 mm)	
3	AAA139DF7-FINISH	BR8 (Mirrored Bronze) DBR (Dark Oxidized Bronze) LBR (Light Oxidized Bronze)	4000, 4500	56.9 in. (1445 mm)	47 in. (1195 mm)	Round, DH-156, 1.5 in (38.1 mm) Diameter
	AAA139DF8-FINISH		5000	62.65 in. (1591 mm)	52.8 in. (1341 mm)	
	AAA139DF9-FINISH		5000 (AIA)	58.15 in. (1477 mm)	48.3 in. (1227 mm)	

**NOTE:** Specify surface finish.

**Example:** AAA139DE7-SS8 for mirrored stainless steel finish.

# In-Car Handrails, Side

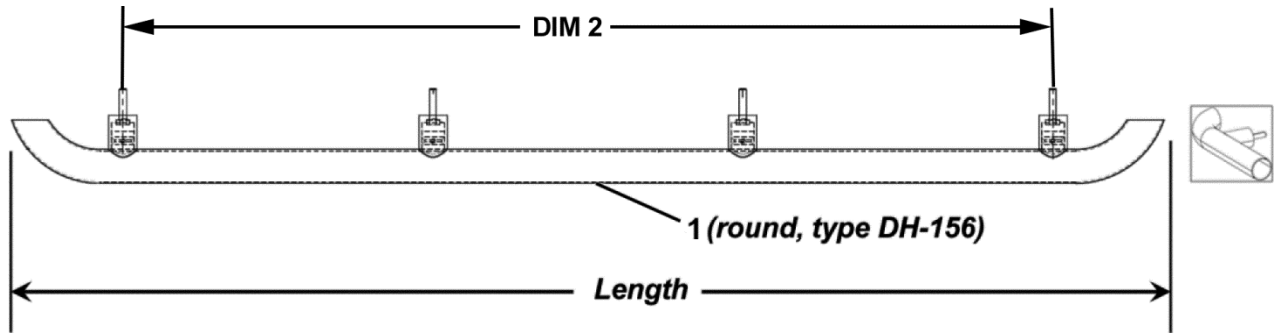
**14-AAA29507T**



AAA29507T						
REF. No.	PART No.	FINISH	DUTIES (lb.)	LENGTH	DIM 2	HANDRAIL SHAPE
1	AAA139DG10-FINISH	FS4 (Brushed Stainless Steel)	4000	79.65 in. (2023 mm)	46.2 in. (1173 mm)	Oval, DH-157, 1 x 2 in. (24.5 x 50.8 mm)
	AAA139DG11-FINISH		4000	79.65 in. (2023 mm)	66.1 in. (1680 mm)	
	AAA139DG12-FINISH		4500	85.65 in. (2176 mm)	75.8 in. (1926 mm)	
	AAA139DG13-FINISH		5000	90.9 in. (2309 mm)	81.1 in. (2059 mm)	
	AAA139DG14-FINISH		5000 (AIA)	98.15 in. (2493 mm)	88.3 in. (2243 mm)	
2	AAA139DE10-FINISH	SS8 (Mirrored Stainless Steel) FS4 (Brushed Stainless Steel) BR7 (Brushed Bronze) BR8 (Mirrored Bronze) DBR (Dark Oxidized Bronze) LBR (Light Oxidized Bronze)	4000	79.65 in. (2023 mm)	46.2 in. (1173 mm)	Rectangular, DH-155, 2 x 0.375 in. (50.8 x 9.5 mm)
	AAA139DE11-FINISH		4000	79.65 in. (2023 mm)	66.1 in. (1680 mm)	
	AAA139DE12-FINISH		4500	85.65 in. (2176 mm)	75.8 in. (1926 mm)	
	AAA139DE13-FINISH		5000	90.9 in. (2309 mm)	81.1 in. (2059 mm)	
	AAA139DE14-FINISH		5000 (AIA)	98.15 in. (2493 mm)	88.3 in. (2243 mm)	

**NOTE:** Specify surface finish.

**Example:** AAA139DE7-SS8 for mirrored stainless steel finish.



AAA29507T						
REF. No.	PART No.	FINISH	DUTIES (lb.)	LENGTH	DIM 2	HANDRAIL SHAPE
1	AAA139DF10-FINISH	SS8 (Mirrored Stainless Steel)	4000	79.65 in. (2023 mm)	46.2 in. (1173 mm)	Round, DH-156 1.5 in. (38.1 mm) Diameter
	AAA139DF11-FINISH	FS4 (Brushed Stainless Steel)	4000	79.65 in. (2023 mm)	66.1 in. (1680 mm)	
	AAA139DF12-FINISH	BR7 (Brushed Bronze)	4500	85.65 in. (2176 mm)	75.8 in. (1926 mm)	
	AAA139DF13-FINISH	BR8 (Mirrored Bronze) DBR (Dark Oxidized Bronze)	5000	90.9 in. (2309 mm)	81.1 in. (2059 mm)	
	AAA139DF14-FINISH		5000 (AIA)	98.15 in. (2493 mm)	88.3 in. (2243 mm)	

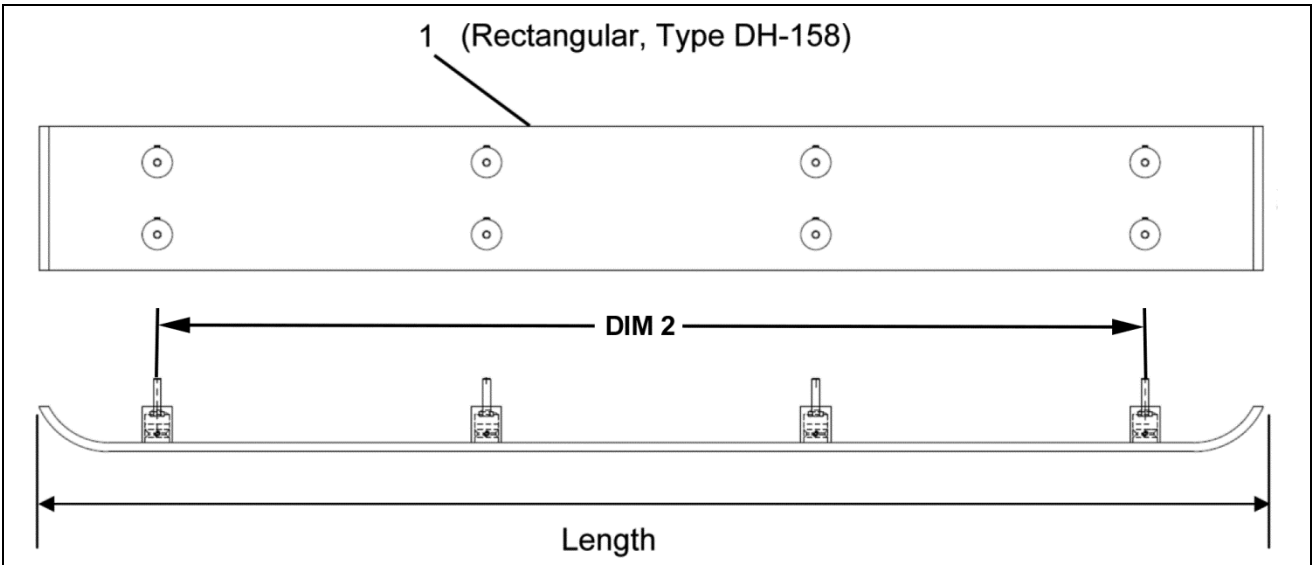
**NOTE:** Specify surface finish.

**Example:** AAA139DE7-SS8 for mirrored stainless steel finish.



# In-Car Bumper Rails

**14-AAA29507T**



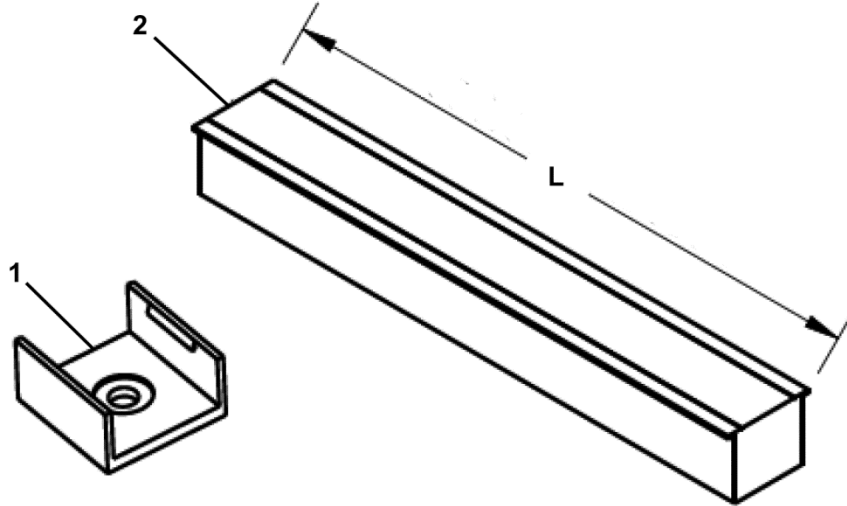
AAA29507T						
REF. No.	PART No.	FINISH	DUTIES (lb.)	LENGTH	DIM 2	HANDRAIL SHAPE
1	<b>REAR</b>					Rectangular, DH-158 6 in. x 0.375 in. (152.4 x 9.5 mm)
	AAA139DH1-FINISH	SS8 (Mirrored Stainless Steel) FS4 (Brushed Stainless Steel)	4000, 4500	56.9 in. (1445 mm)	47 in. (1195 mm)	
	AAA139DH2-FINISH	BR7 (Brushed Bronze) BR8 (Mirrored Bronze)	5000	62.65 in. (1591 mm)	52.8 in. (1341 mm)	
	AAA139DH3-FINISH	DBR (Dark Oxidized Bronze) LBR (Dark Oxidized Bronze)	5000 (AIA)	58.15 in. (1477 mm)	48.3 in. (1227 mm)	
	<b>SIDES</b>					
	AAA139DH4-FINISH	SS8 (Mirrored Stainless Steel)	4000	79.65 in. (2023 mm)	46.2 in. (1173 mm)	
	AAA139DH5-FINISH	FS4 (Brushed Stainless Steel)	4000	79.65 in. (2023 mm)	66.1 in. (1680 mm)	
	AAA139DH6-FINISH	BR7 (Brushed Bronze) BR8 (Mirrored Bronze)	4500	85.65 in. (2176 mm)	75.8 in. (1926 mm)	
	AAA139DH7-FINISH	DBR (Dark Oxidized Bronze)	5000	90.9 in. (2309 mm)	81.1 in. (2059 mm)	
	AAA139DH8-FINISH	LBR (Dark Oxidized Bronze)	5000 (AIA)	98.15 in. (2493 mm)	88.3 in. (2243 mm)	

**NOTE:** Specify surface finish.

**Example:** AAA139DE7-SS8 for mirrored stainless steel finish.

# 14-AAA29507T

# Light Fixture

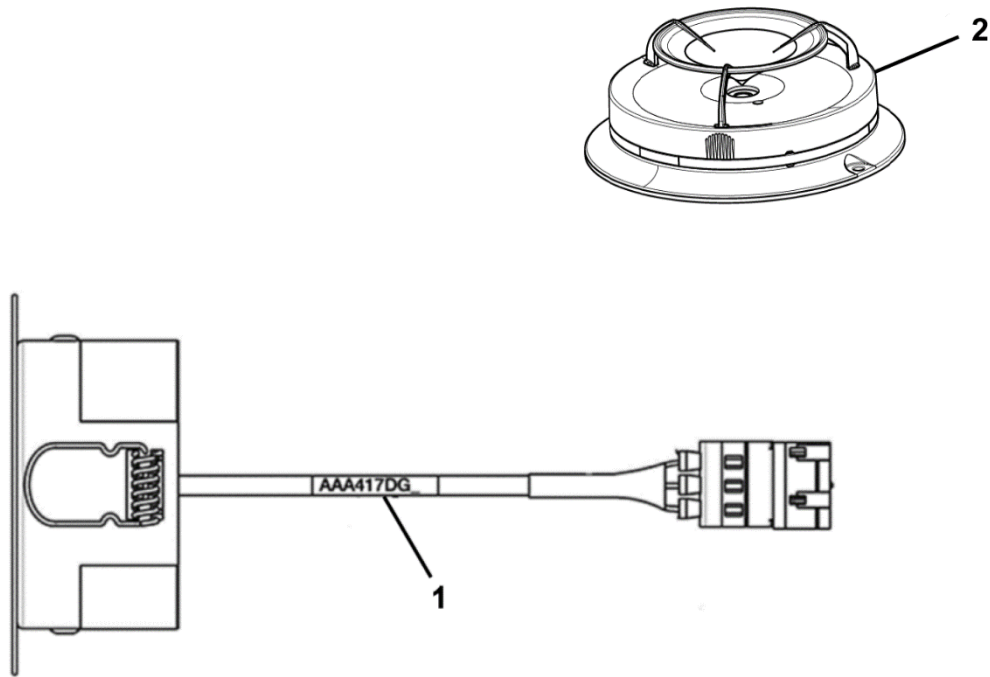


REF. No.	PART No.	DESCRIPTION	L
	<b>AAA29507T</b>		
1	AAA24710T514 AAA417DM23	Clip, Mounting, Light Fixture	---
2	AAA24710T503 AAA417DM7	Fixture, Light, Side	2116
	AAA24710T504 AAA417DM8		2268
	AAA24710T505 AAA417DM9		2399
	AAA24710T506 AAA417DM11		2583
	AAA24710T507 AAA417DM12		2598
	AAA24710T509 AAA417DM14	Fixture, Light, Front or Rear	1681
	AAA24710T512 AAA417DM17		1535
	AAA24710T513 AAA417DM18		1567
	AAA24710T508 AAA417DM13		1605
	AAA417DM22		Harness, Light Fixture

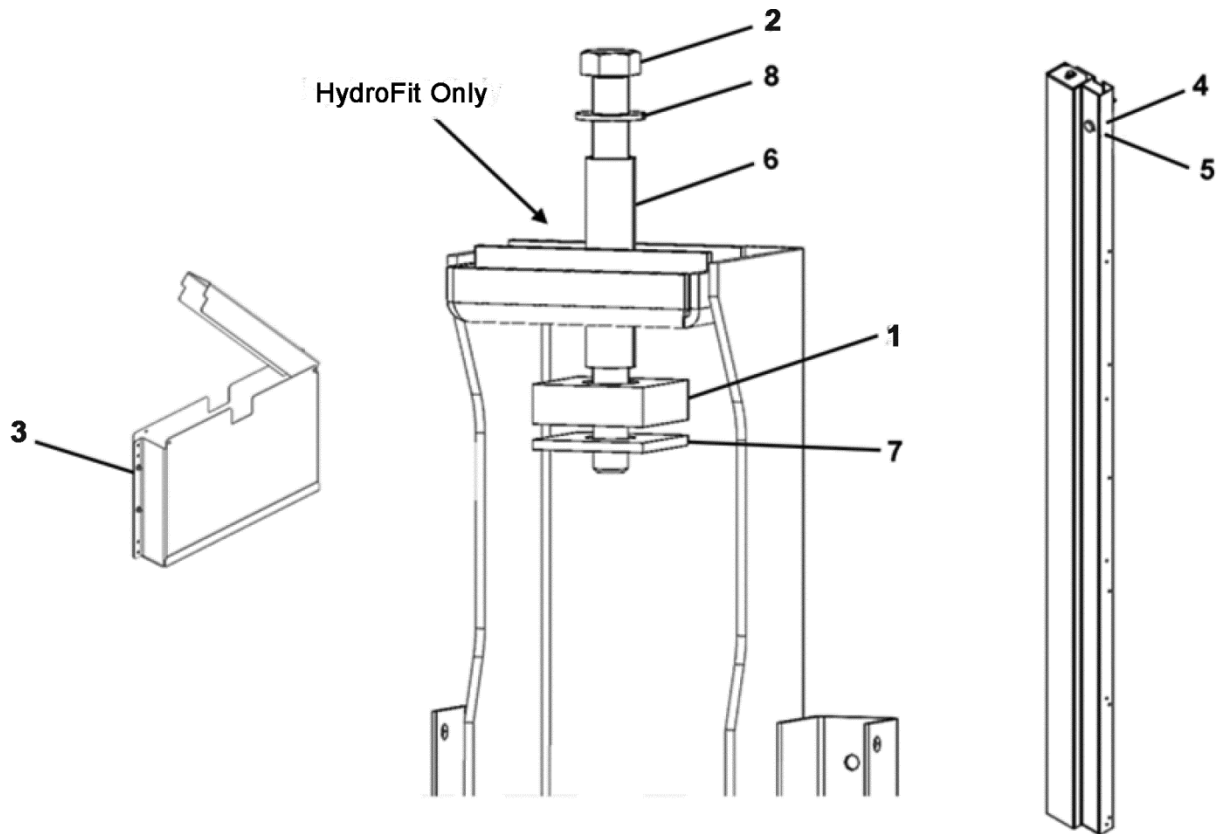
\* Part not shown.

# Light

**14-AAA29507T**



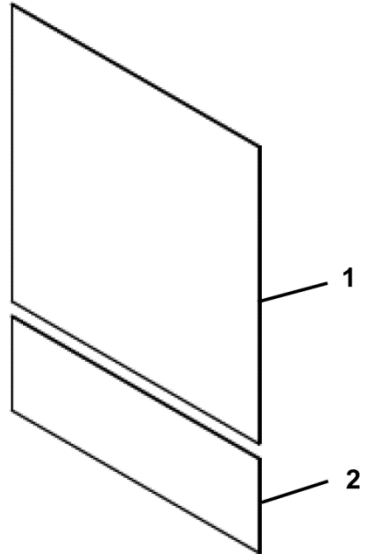
AAA29507T		
REF. No.	PART No.	DESCRIPTION
1	AAA417DG1	Bulb, LED, Brushed Nickel Finish, 4W
	AAA417DG6	Bulb, LED, Brushed Nickel Finish, 2W
	AAA417DG2	Bulb, LED, White Finish, 4W
	AAA417DG7	Bulb, LED, White Finish, 2W
	AAA417DG3	Bulb, LED, Black Finish, 4W
	AAA417DG8	Bulb, LED, Black Finish, 2W
	AAA417DG4	Bulb, LED, Gold Finish, 4W
	AAA417DG9	Bulb, LED, Gold Finish, 2W
	AAA417DG5	Bulb, LED, Chrome, 4W
	AAA417DG10	Bulb, LED, Chrome, 2W
2	AAA417DN8	Fixture, UVC Light, Inside Cab Mounting Height $\geq 2286$ & $< 2337$
	AAA417DN9	Fixture, UVC Light, Inside Cab Mounting Height $\geq 2337$ & $< 2439$
	AAA417DN10	Fixture, UVC Light, Inside Cab Mounting Height $\geq 2439$



AAA29507T		
REF. No.	PART No.	DESCRIPTION
1	310JJ6	Block, Isolation
2	BTFH 7/8X10ZP	Bolt, Hex Head, 7/8 x 10 in. Long (22.2 x 254 mm) , 2-Stage Telescopic
	BTFH 3/4X3-1/2ZP	Bolt, Hex Head, 3/4 x 3-1/2 in. Long (19 x 89 mm), Single-Stage Holeless
3	AAA308ABY1	Box, for Wiring Diagram (located on top-of-car handrail)
4	320CV2	Bumper, Strike
5	ISO1234-2x40Z	Pin, Cotter, 0.08 in. (2 mm) Dia., 1.57 in. (40 mm) Long
6	377CH53	Pipe, 1.25 in. (31.8 mm) O.D., 11.8 in. (300 mm) Long, 2-Stage Telescopic
	377CH50	Pipe, 0.75 in. (19 mm) O.D., 2.5 in. (63.5 mm) Long, Single-Stage Holeless
7	127XA69	Washer, Steel
8	WSR SAE7/8ZP	Washer, 7/8 in. (22.2 mm) Flat, 2-Stage Telescopic
	WSR SAE3/4ZP	Washer, 3/4 in. (19 mm) Flat, Single-Stage Holeless

# Glass Rear Wall Glass and Kit

**14-AAA29507T**

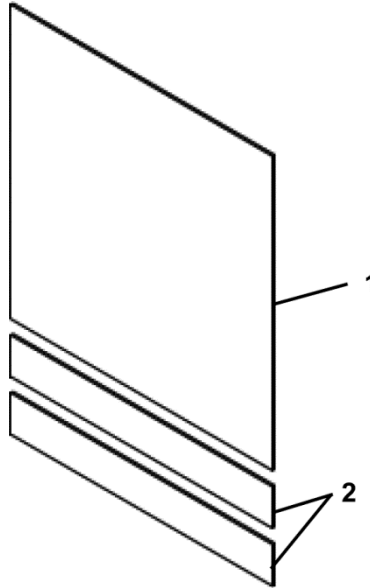


AAA29507T						
REF. No.	PART No.	DESCRIPTION	GLASS THICKNESS (in.)	GLASS WIDTH	GLASS HEIGHT	LOCAL CODE
1	AAA374AER513	Upper Glass	1/4	1422	1293	NOT = (California or Los Angeles California)
	AAA374AER514		9/16			
	AAA374AER515		1/4		1903	
	AAA374AER516		9/16			
	AAA374AER517		1/4	1568	1293	
	AAA374AER518		9/16			
	AAA374AER519		1/4		1903	
	AAA374AER520		9/16			
	AAA374AER521		1/4	1454	1293	
	AAA374AER522		9/16			
	AAA374AER523		1/4		1903	
	AAA374AER524		9/16			
	AAA374AER525		1/4	1492	1293	
	AAA374AER526		9/16			
	AAA374AER527		1/4		1903	
	AAA374AER528		9/16			
2	AAA374AER535	Lower Glass	1/4	1422	608	
	AAA374AER536		9/16			
	AAA374AER537		1/4	1568		
	AAA374AER538		9/16			
	AAA374AER539		1/4	1454		
	AAA374AER540		9/16			
	AAA374AER541		1/4	1492		
	AAA374AER542		9/16			

*(Continued on next page)*

**14-AAA29507T**

**Glass Rear Wall Glass and Kit**



AAA29507T						
REF. No.	PART No.	DESCRIPTION	GLASS THICKNESS (in.)	GLASS WIDTH	GLASS HEIGHT	LOCAL CODE
1	AAA374AER549	Upper Glass	9/16	1416	1287	California or Los Angeles California
	AAA374AER550				1897	
	AAA374AER551			1562	1287	
	AAA374AER552				1897	
	AAA374AER553			1448	1287	
	AAA374AER554				1897	
	AAA374AER555			1486	1287	
	AAA374AER556				1897	
2	AAA374AER560	Lower Glass	9/16	1416	250	California or Los Angeles California
	AAA374AER561					
	AAA374AER562			1448		
	AAA374AER563			1486		
				1486		

REF. No.	AAA29507T	LOCAL CODE	GLASS THICKNESS (in.)
*	AAA374AER400	NOT = (California or Los Angeles California)	1/4
	AAA374AER401		9/16
	AAA374AER402	California or Los Angeles California	

\* not shown