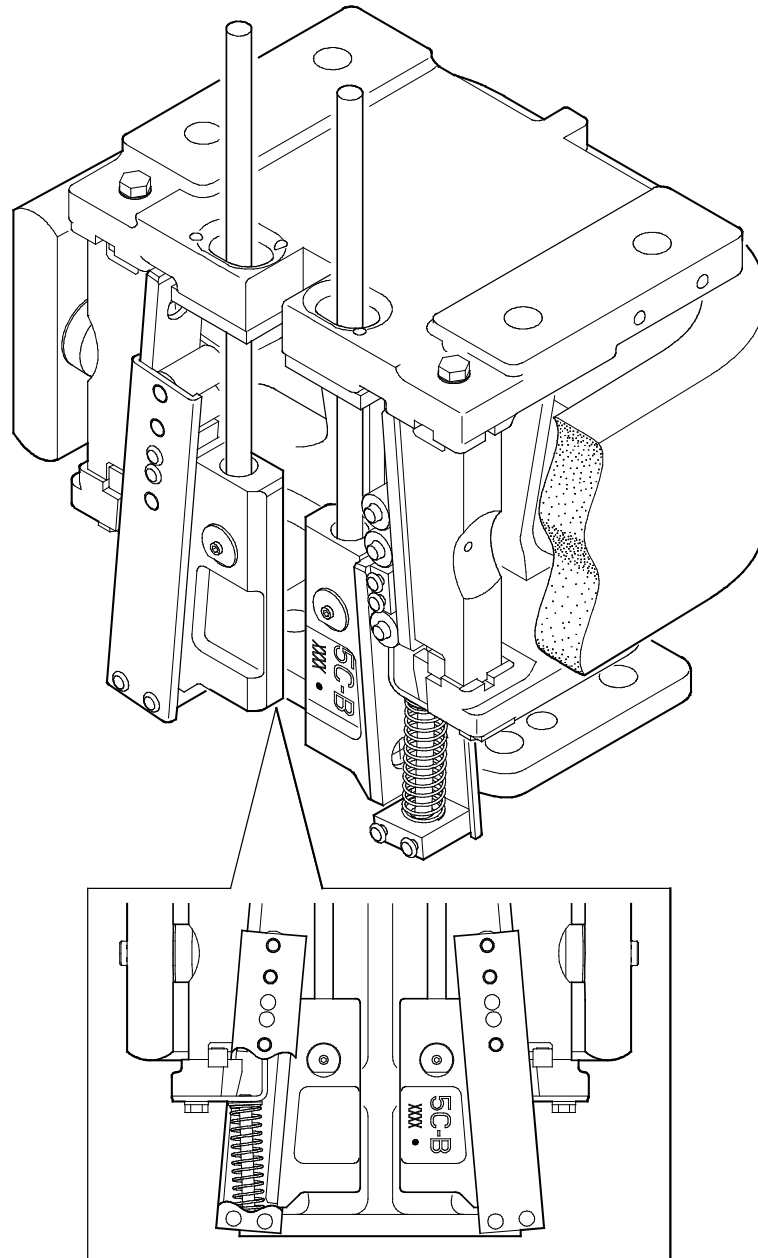


Flexible Guide Clamp
Safeties 5C-B

Spare Parts Leaflet

14-JAA24123AAJ

March 28, 2014 / Page 1 of 3



Unpublished Work—© Otis Elevator Co.; 2014

OTIS

Safety First!

SERVICE ENGINEERING
Otis Elevator Company
Shibayama Factory, Japan

Leaflet Description

This leaflet provides spare parts information for the J__24123AAJ version of the 5C flexible guide clamp safety.

NOTE: The 5C safety assembly has been produced in several vintages by different Otis operations including Japan, China, USA, Germany and UK. Use the data plate, vintage tag, or the contract records to identify the component vintage. Use the appropriate Spare Parts Leaflet listed under *Related Documents* below to identify spare parts for your installation.

Leaflet Revisions

Date Revised	Subject Matter Expert	Reason for Revision
April 17, 2009	Yamaoka, Takayuki	New SPL
Nov 28, 2013	Yamaoka, Takayuki	Added JAA72AER1, JAA283JCM1 (SEE PAGE 3)
March 28, 2014	Yamaoka, Takayuki	Updated

Related Drawings

Drawing No.	Title	Drawing No.	Title
JAA24123AAJ (Japan and China)	Assembly and Arrangement, Type 5C-B Safety	D6460A (USA)	Assembly and Arrangement, Type 5C-B Safety
LXGXC6460A (UK and USA)	Assembly and Arrangement, Type 5C-B Safety	GX6460A (Germany)	Assembly and Arrangement, Type 5C-B Safety

Related Documents

Document ID	Title
SPL 14-AAA24120F	Flexible Guide Clamp Safeties (5C-B, 8C-B, 9C-B, 11C-B, 12C-B, 14C-B, 11U-B, 16U-B, 14D-B, 18D-B, and 25D-B)
SPL 14-GX6460A	Safety Gear Progressive—5C/8C

Subject Matter Expert

Name	Department
Yamaoka, Takayuki	<i>Nippon Otis Service Center</i>

About Spare Parts Leaflets...

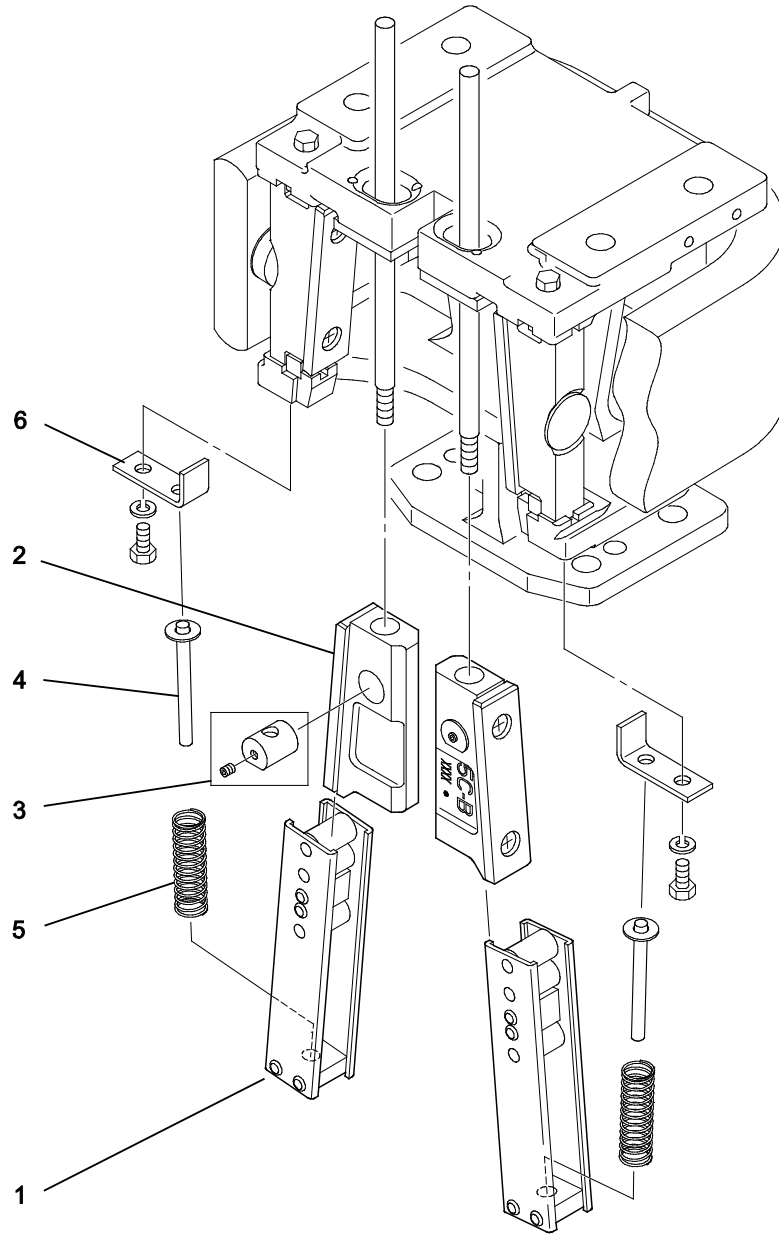
This document lists the lowest replaceable units (LRUs) for the standard version of the product. The LRUs are chosen by a team of Otis associates representing engineering and manufacturing.

While goal of this document is to make parts identification as easy as possible, the document cannot be all-inclusive. Elevator and escalator contracts classified as “special” or “custom” are not addressed here. For such contracts, please refer to specified information, the contract folder, TIPS, Field Education Articles, Construction Letters, etc. for further information.

If you have any suggestions about this document, please contact the subject matter expert listed on this page.

Type 5C-B Safeties

14-JAA24123AAJ



REF. No.	PART No.	DESCRIPTION
1	6460B1	Assembly, Roller Carriage
2	6460C1	Assembly, Wedge
3	JX72DY2 JAA72AER1	Nut, Barrel (w/ set screw)
4	81PA1	Pin
5	90HB6	Spring, Compression
6	477AT4 JAA283JCM1	Stop, Roller Carriage