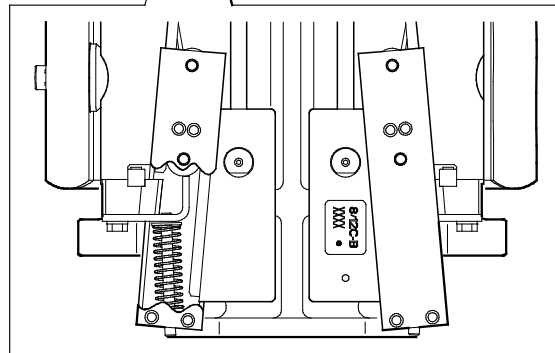
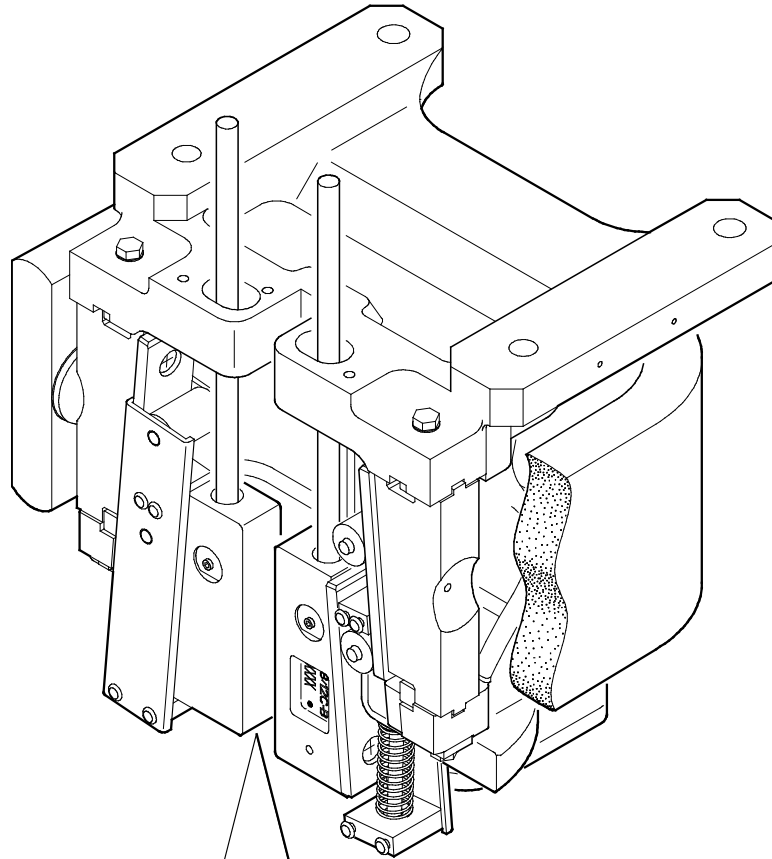


Flexible Guide Clamp
Safeties 12C-B

Spare Parts Leaflet
14-JAA24123AAM

March 28, 2014 / Page 1 of 3



Unpublished Work—© Otis Elevator Co.; 2014

OTIS

Safety First!

SERVICE ENGINEERING
Otis Elevator Company
Shibayama Factory, Japan

Leaflet Description

This leaflet provides spare parts information for the J__24123AAM version of the 12C flexible guide clamp safety.

NOTE: The 12C safety assembly has been produced in several vintages by different Otis operations including Japan, China, and USA. Use the data plate, vintage tag, or the contract records to identify the component vintage. Use the appropriate Spare Parts Leaflet listed under *Related Documents* below to identify spare parts for your installation.

Leaflet Revisions

| Date Revised | Subject Matter Expert | Reason for Revision |
|----------------|-----------------------|--|
| April 17, 2009 | Yamaoka, Takayuki | New SPL |
| Nov 28, 2013 | Yamaoka, Takayuki | Added JAA72AER1, JAA283JCM2 (SEE PAGE 3) |
| March 28, 2014 | Yamaoka, Takayuki | Updated |

Related Drawings

| Drawing No. | Title | Drawing No. | Title |
|----------------------------------|--|--------------|--|
| JAA24123AAM (Japan and China) | Assembly and Arrangement, Type 12C-B Safety | C7072A (USA) | Assembly and Arrangement, Type 12C-B Safety |
| | | | |

Related Documents

| Document ID | Title |
|------------------|--|
| SPL 14-AAA24120F | Flexible Guide Clamp Safeties (5C-B, 8C-B, 9C-B, 11C-B, 12C-B, 14C-B, 11U-B, 16U-B, 14D-B, 18D-B, and 25D-B) |
| | |

Subject Matter Expert

| Name | Department |
|-------------------|-----------------------------------|
| Yamaoka, Takayuki | <i>Nippon Otis Service Center</i> |

About Spare Parts Leaflets...

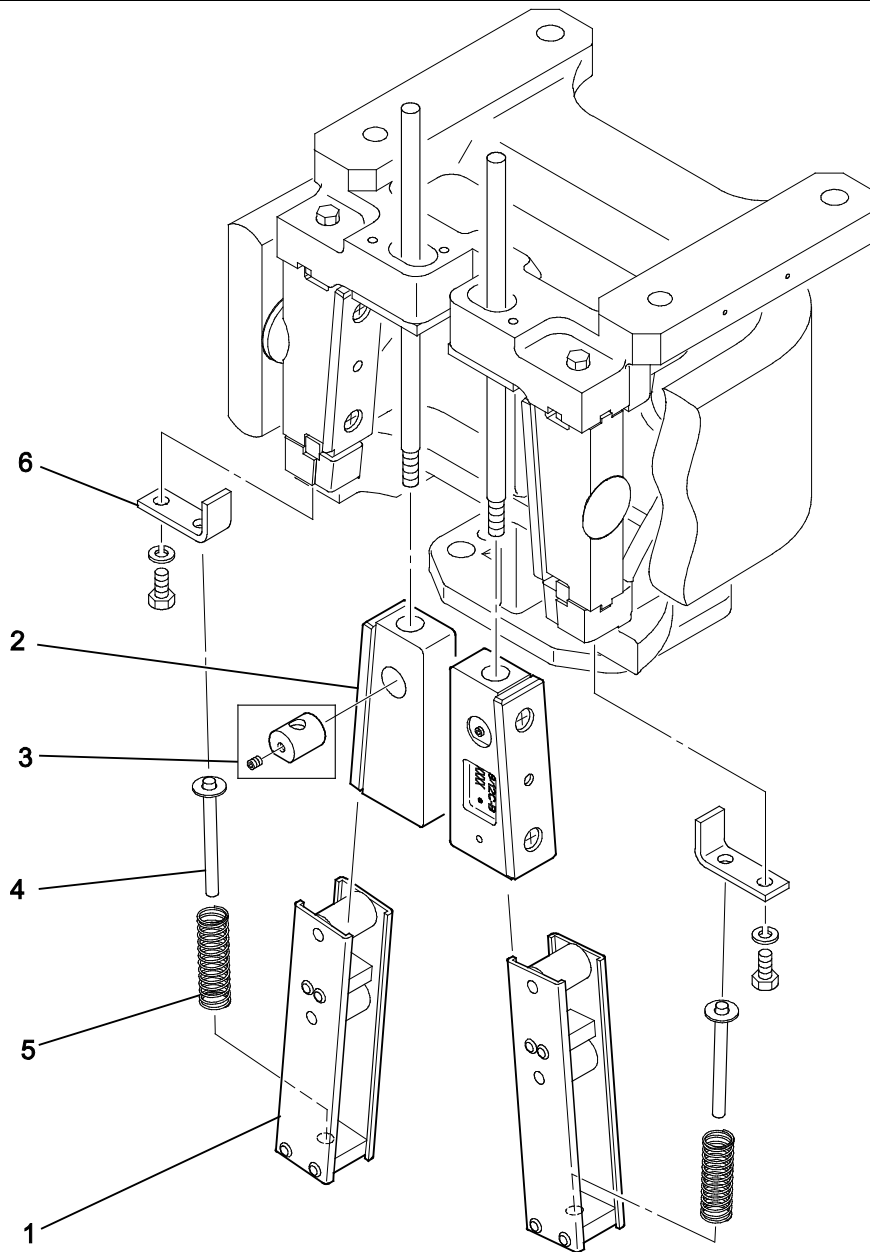
This document lists the lowest replaceable units (LRUs) for the standard version of the product. The LRUs are chosen by a team of Otis associates representing engineering and manufacturing.

While goal of this document is to make parts identification as easy as possible, the document cannot be all-inclusive. Elevator and escalator contracts classified as "special" or "custom" are not addressed here. For such contracts, please refer to specified information, the contract folder, TIPs, Field Education Articles, Construction Letters, etc. for further information.

If you have any suggestions about this document, please contact the subject matter expert listed on this page.

Type 12C-B Safeties

14-JAA24123AAM



| REF. No. | PART No. | DESCRIPTION |
|----------|---------------------------------|--|
| 1 | 7072D1 | Assembly, Roller Carriage |
| 2 | JAA24123AAD2 | Assembly, Wedge w/ Barrel Nut Connection to Lift Rod |
| 3 | JX72DY2 JAA72AER1 | Nut, Barrel (w/ set screw) |
| 4 | 81PA1 | Pin |
| 5 | 90HB6 | Spring, Compression |
| 6 | 283GF1 JAA283JCM2 | Stop, Roller Carriage |