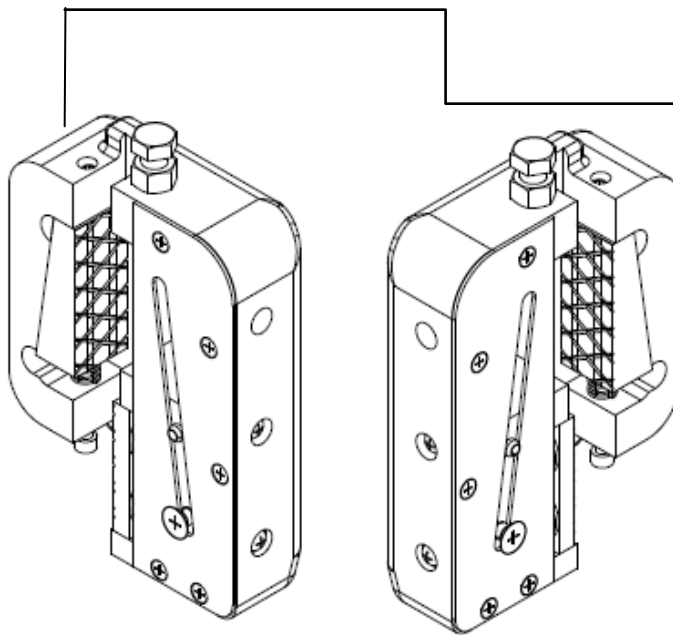


**PS45A Progressive  
Safety – ASME A17.1  
Applications**

**Spare Parts Leaflet**  
**14-KAA24120AAJ**  
01/13/2011 Page 1 of 3



TYPE B SAFETY  
VINTAGE TAG: 14 K-KAA24120AAJ  
MODEL: PS45A WEIGHT: 8.4kg  
PART NUMBER:  
SERIAL NUMBER:  
OTIS ELEVATOR KOREA

Unpublished Work—© Otis Elevator Co.; 2011

**OTIS**

**Safety First!**

**SERVICE ENGINEERING**  
Otis Elevator Company  
Bloomfield, Connecticut USA

**Leaflet Description**

This leaflet presents the spare parts for the KAA24120AAJ (PS45A) progressive safety used in ASME A17.1 applications

**Leaflet Revisions**

| <b>Date Revised</b> | <b>Subject Matter Expert</b> | <b>Reason for Revision</b> |
|---------------------|------------------------------|----------------------------|
| 1/13/2011           | J. Draper                    | New SPL                    |

**Related Drawings**

| <b>Drawing No.</b> | <b>Title</b>      | <b>Drawing No.</b> | <b>Title</b> |
|--------------------|-------------------|--------------------|--------------|
| KAA24120AAJ        | Safety Assy PS45A |                    |              |
|                    |                   |                    |              |

**Related Documents**

| <b>Document ID</b> | <b>Title</b> |
|--------------------|--------------|
|                    |              |
|                    |              |

**Subject Matter Expert**

| <b>Name</b>   | <b>Department</b>       |
|---------------|-------------------------|
| Jesse Richter | OSC Service Engineering |

**About Spare Parts Leaflets...**

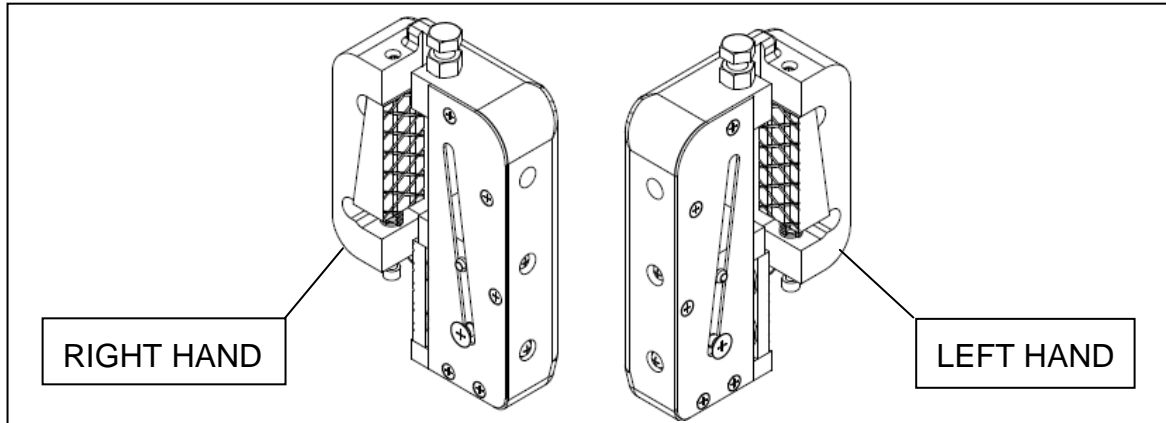
This document lists the lowest replaceable units (LRUs) for the standard version of the product. The LRUs are chosen by a team of Otis associates representing engineering and manufacturing.

While goal of this document is to make parts identification as easy as possible, the document cannot be all-inclusive. Elevator and escalator contracts classified as “special” or “custom” are not addressed here. For such contracts, please refer to specified information, the contract folder, TIPS, Field Education Articles, Construction Letters, etc. for further information.

If you have any suggestions about this document, please contact the subject matter expert listed on this page.

# PS45A Progressive Safety – ASME A17.1 Applications

**14-KAA24120AAJ**



- The lowest replaceable unit (LRU) is the entire safety assembly
- Safety assemblies must be replaced in sets: (1) Right Hand + (1) Left Hand.

| <b>14-KAA24120AAJ</b> |                 |  |  |
|-----------------------|-----------------|--|--|
| <b>REF. No.</b>       | <b>PART No.</b> | <b>Safety Assembly –<br/>Right Hand/<br/>Left Hand</b> | <b>Description</b>   |
| 1                     | KAA24120AAJ400  | ← KAA24120AAJ1/AAJ2                                    | Kit, Safety Assembly:<br>(1) Right Hand + (1) Left Hand<br>Safety Assembly |
|                       | KAA24120AAJ401  | ← KAA24120AAJ3/AAJ4                                    |  |
|                       | KAA24120AAJ402  | ← KAA24120AAJ5/AAJ6                                    |  |
|                       | KAA24120AAJ403  | ← KAA24120AAJ7/AAJ8                                    |  |
|                       | KAA24120AAJ404  | ← KAA24120AAJ9/AAJ10                                   |  |
|                       | KAA24120AAJ405  | ← KAA24120AAJ11/AAJ12                                  |  |
|                       | KAA24120AAJ406  | ← KAA24120AAJ13/AAJ14                                  |  |
|                       | KAA24120AAJ407  | ← KAA24120AAJ15/AAJ16                                  |  |
|                       | KAA24120AAJ408  | ← KAA24120AAJ17/AAJ18                                  |  |
|                       | KAA24120AAJ500  | ← KAA24120AAJ51/AAJ52                                  |  |
|                       | KAA24120AAJ501  | ← KAA24120AAJ53/AAJ54                                  |  |
|                       | KAA24120AAJ502  | ← KAA24120AAJ55/AAJ56                                  |  |
|                       | KAA24120AAJ503  | ← KAA24120AAJ57/AAJ58                                  |  |
|                       | KAA24120AAJ504  | ← KAA24120AAJ59/AAJ60                                  |  |
|                       | KAA24120AAJ505  | ← KAA24120AAJ61/AAJ62                                  |  |
|                       | KAA24120AAJ506  | ← KAA24120AAJ63/AAJ64                                  |  |
|                       | KAA24120AAJ507  | ← KAA24120AAJ65/AAJ66                                  |  |
|                       | KAA24120AAJ508  | ← KAA24120AAJ67/AAJ68                                  |  |