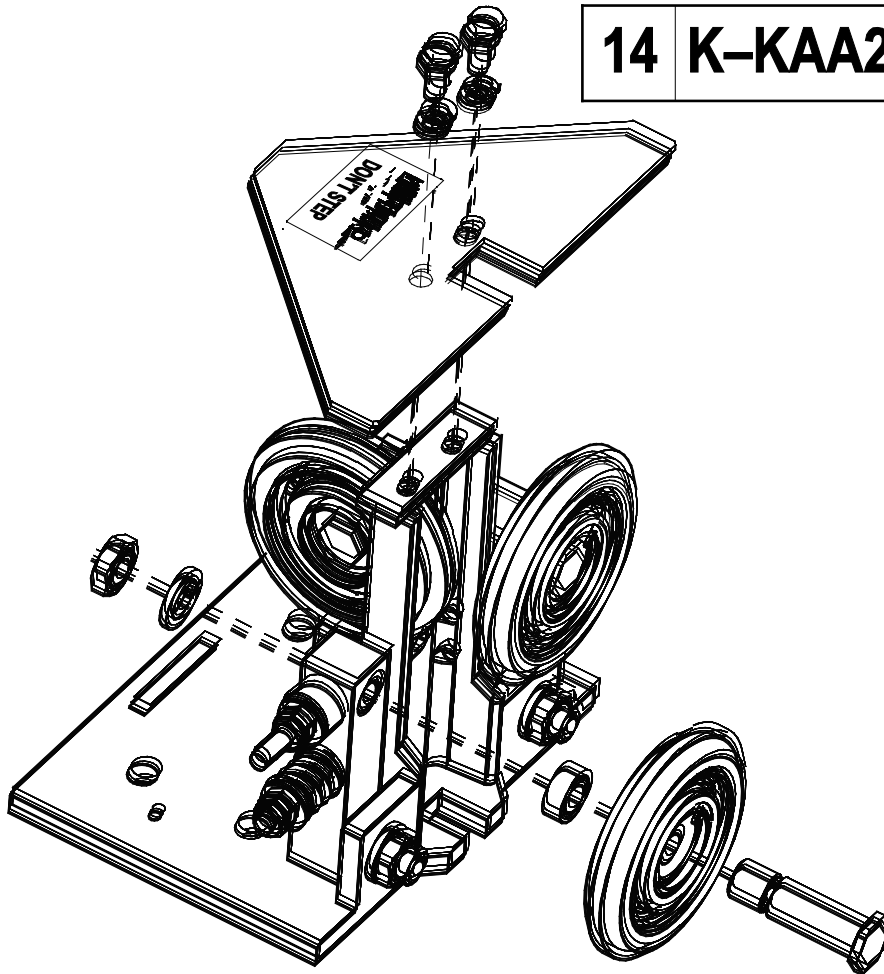


Roller Guide—Car
160 mm Diameter

Spare Parts Leaflet
14-KAA24180AAA
January 6, 2004 / Page 1 of 4

14 K-KAA24180AAA



Unpublished Work—©Otis Elevator Co.; 2004

OTIS

Safety First!

SERVICE ENGINEERING
Otis Elevator Company
Bloomfield, Connecticut USA

Leaflet Description

This SPL provides spare part information for new OLG-160 mm sprung type roller guide for Next Generation High Rise program (NGHR). The roller guides with 160 mm diameter rollers are installed on the top and bottom of the car. Roller guides on the top of the car require guards. Roller guides installed at the bottom of the car do not require a guard.

Leaflet Revisions

Date Revised	Subject Matter Expert	Reason for Revision
January 6, 2004	Hyun, Jeong / Kyungsu Ji	New SPL

Related Drawings

Drawing No.	Title	Drawing No.	Title
KAA24180AAA	Roller Guide Assembly and Arrangement 160 mm (NGHR)		

Related Documents

Document ID	Title
SPL 14-KAA24180AAA	Roller Guide—Car \varnothing 160 mm for NGHR

Subject Matter Expert

Name	Department
Val Sheynkman	OSC Service Engineering

About Spare Parts Leaflets...

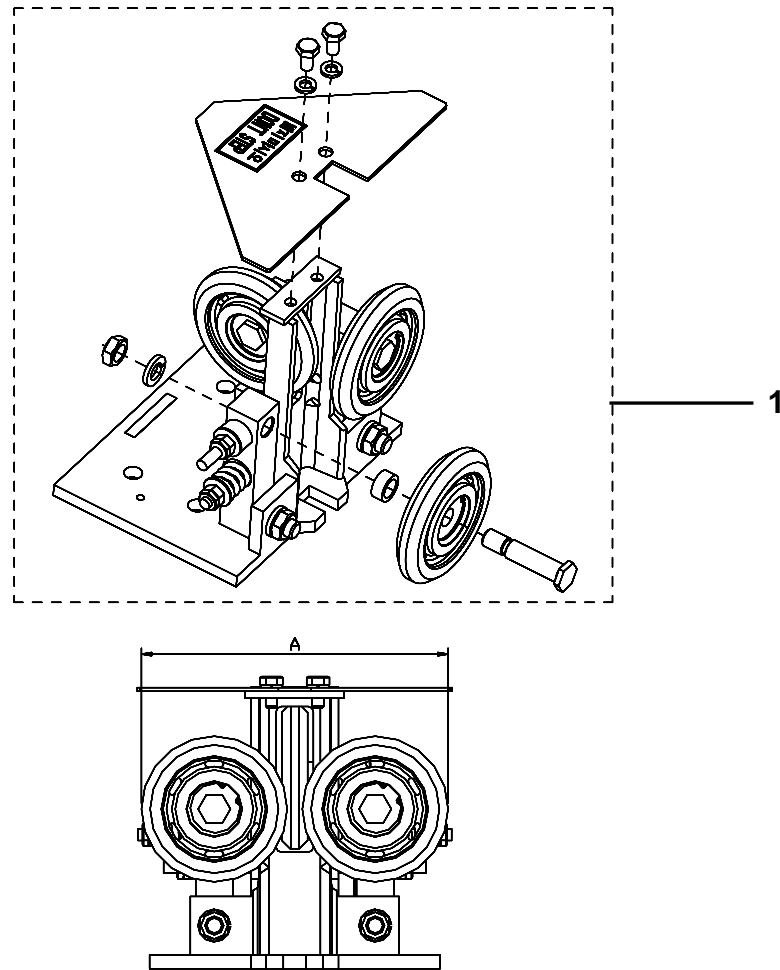
This document lists the lowest replaceable units (LRUs) for the standard version of the product. The LRUs are chosen by a team of Otis associates representing engineering and manufacturing.

While goal of this document is to make parts identification as easy as possible, the document cannot be all-inclusive. Elevator and escalator contracts classified as “special” or “custom” are not addressed here. For such contracts, please refer to specified information, the contract folder, TIPs, Field Education Articles, Construction Letters, etc. for further information.

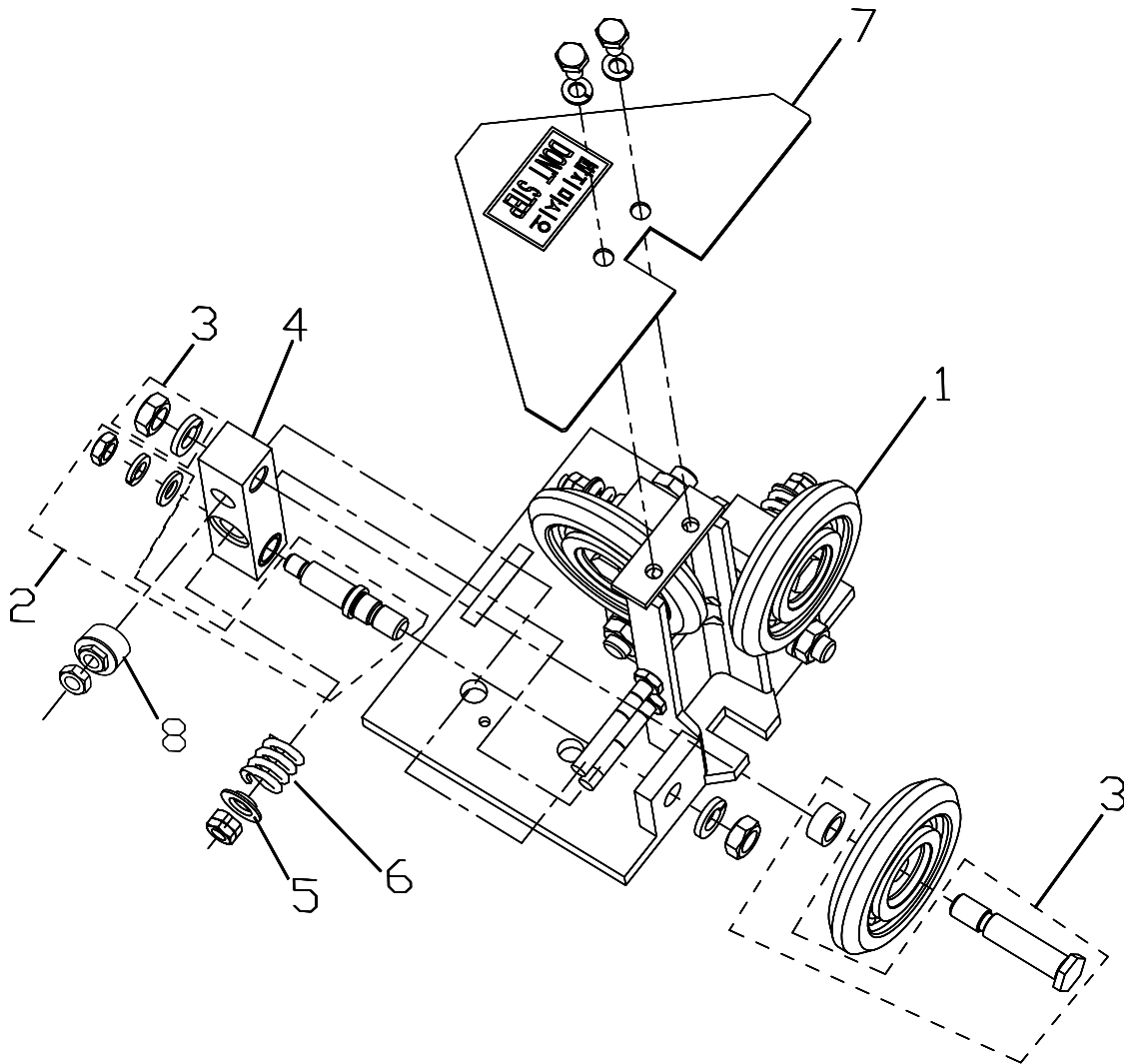
If you have any suggestions about this document, please contact the subject matter expert listed on this page.

Roller Guide Assemblies

14-KAA24180AAA



REF. No.	PART No.	DESCRIPTION	GUARD	RAIL	LENGTH "A"
	KAA24180AAA				
1	KAA24180AAA1	Assembly, Roller Guide for Φ 160 (Polyurethane)	With	T127-2	336
	KAA24180AAA2		Without	T127-1	336
	KAA24180AAA4		With	T140-1	336
	KAA24180AAA5		Without		336
	KAA24180AAA7		With	T89	336
	KAA24180AAA8		Without		336



REF. No.	PART No.	DESCRIPTION
	KAA24180AAA	
1	AAA456YW1	Roller
2	KAA24180AAA401	Service kit, postwise lower pivot
3	KAA24180AAA402	Service kit, roller bolt
4	KAA288D1	Lever assembly
5	KAA133A1	Spring Seat
6	KAA90A1	Spring
7	KAA384D1	Guard
8	KAA477A1	Stopper