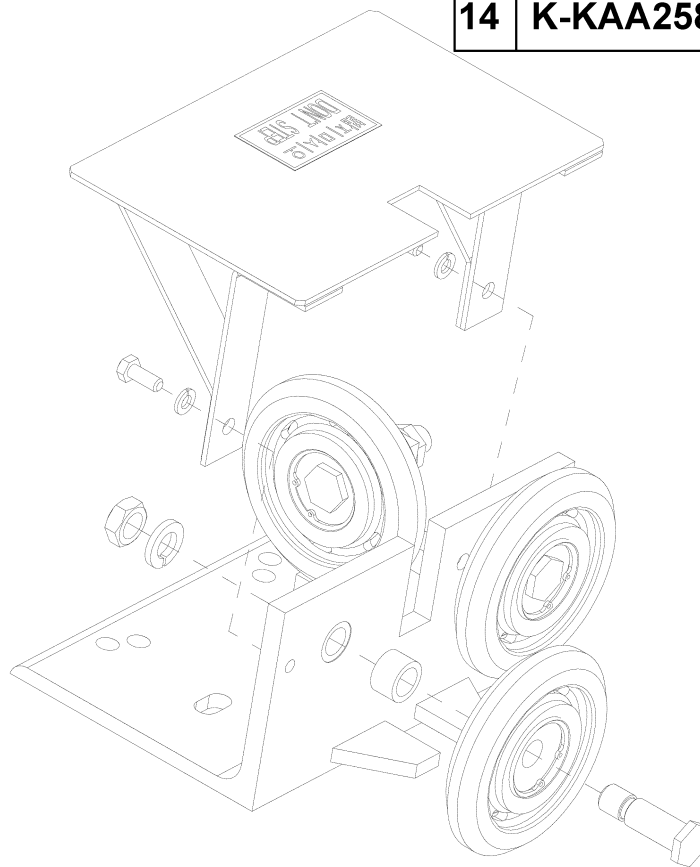


**Roller Guide—
Counterweight
125 mm Diameter**

**Spare Parts Leaflet
14-KAA25830A**

October 21, 2002 / Page 1 of 4

14 K-KAA25830A



Leaflet Description

This SPL provides spare part information for LGO-125 mm low cost roller guides. For NAA limited duty, the roller guides with 125 mm diameter rollers are installed on the top and bottom of the counterweight. Roller guides on the top of the counterweight require guards. Roller guides installed at the bottom of the counterweight do not require a guard.

Leaflet Revisions

Date Revised	Subject Matter Expert	Reason for Revision
October 21, 2002	Jaehwan Park / Kyungsu Ji	New SPL

Related Drawings

Drawing No.	Title	Drawing No.	Title
KAA25830A	Roller Guide Assembly and Arrangement 125 mm		

Related Documents

Document ID	Title
SPL 14-KAA25830A	Roller Guide—Counterweight \varnothing 125 mm

Subject Matter Expert

Name	Department
Val Sheynkman	OSC Service Engineering

About Spare Parts Leaflets...

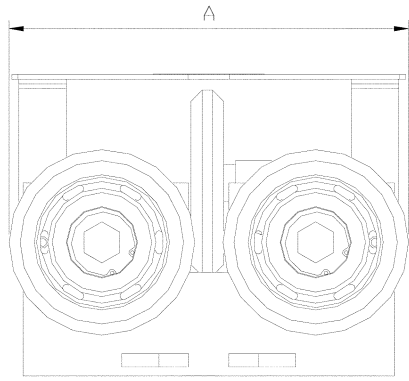
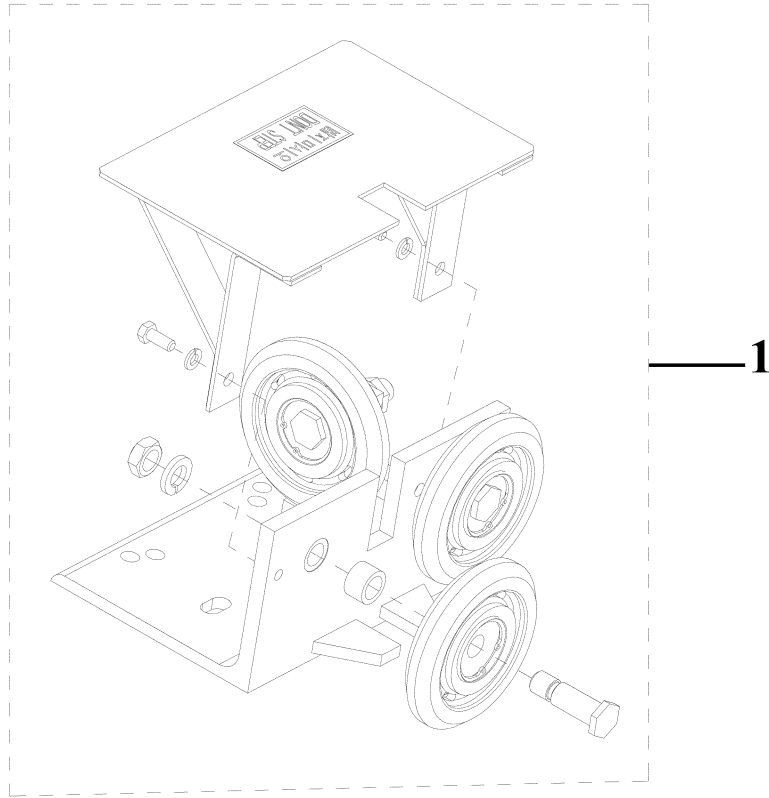
This document lists the lowest replaceable units (LRUs) for the standard version of the product. The LRUs are chosen by a team of Otis associates representing engineering and manufacturing.

While goal of this document is to make parts identification as easy as possible, the document cannot be all-inclusive. Elevator and escalator contracts classified as "special" or "custom" are not addressed here. For such contracts, please refer to specified information, the contract folder, TIPs, Field Education Articles, Construction Letters, etc. for further information.

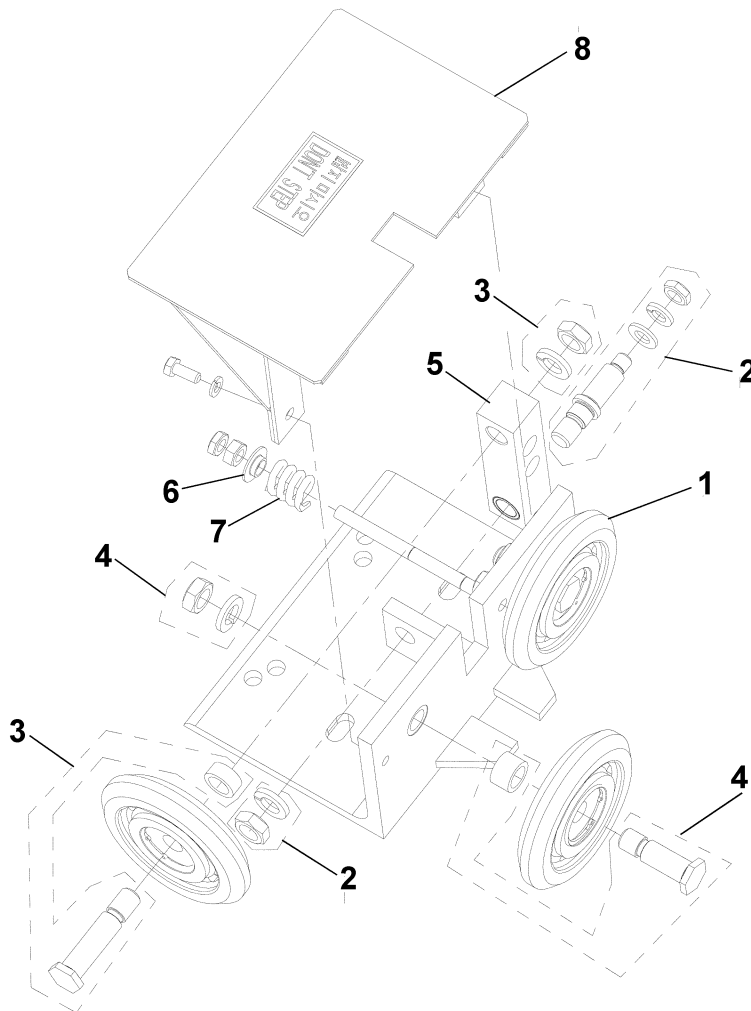
If you have any suggestions about this document, please contact the subject matter expert listed on this page.

Roller Guide Assemblies

14-KAA25830A



KAA25830A						
REF. No.	PART No.	DESCRIPTION	GUARD	RAIL		LENGTH "A"
1	KAA25830A1	Assembly, Roller Guide	With	T89, T127-1	# 2, # 1 1/2	266
	KAA25830A2		Without	T89, T127-1	# 2, # 1 1/2	266



KAA25830A		
REF. No.	PART No.	DESCRIPTION
1	KAA456K1	Roller
2	KAA25830A401	Service Kit, Postwise Lower Pivot
3	KAA25830A402	Service Kit, Postwise Upper Pivot
4	KAA25830A403	Service Kit, Front to Back Roller Bolt
5	KAA288C1	Lever Assembly
6	KAA133A1	Spring Seat
7	KAA90A1	Spring
8	KAA384C1	Guard