

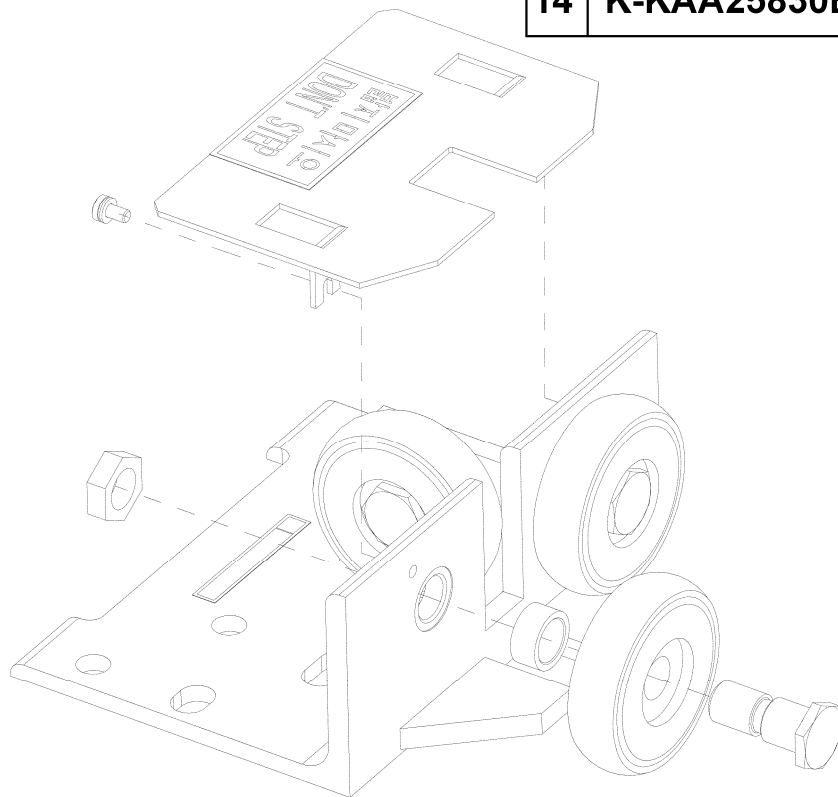
**Roller Guide—
Counterweight
76 mm Diameter**

Spare Parts Leaflet

14-KAA25830B

October 21, 2002 / Page 1 of 4

14 K-KAA25830B



OTIS

Safety First!

**LG-Otis Elevator Company
Seoul, Korea**

Leaflet Description

This SPL provides spare part information for LGO-76 mm low cost roller guides. For NAA limited duty, the roller guides with 76 mm diameter rollers are installed on the top and bottom of the counterweight. Roller guides on the top of the counterweight require guards. Roller guides installed at the bottom of the counterweight do not require a guard.

Leaflet Revisions

Date Revised	Subject Matter Expert	Reason for Revision

Related Drawings

Drawing No.	Title	Drawing No.	Title
KAA25830B	Roller Guide Assembly and Arrangement 76 mm		

Related Documents

Document ID	Title
SPL 14-KAA25830B	Roller Guide—Counterweight \varnothing 76 mm

Subject Matter Expert

Name	Department
Jaehwan Park / Kyungsu Ji	LG-Otis Engineering

About Spare Parts Leaflets...

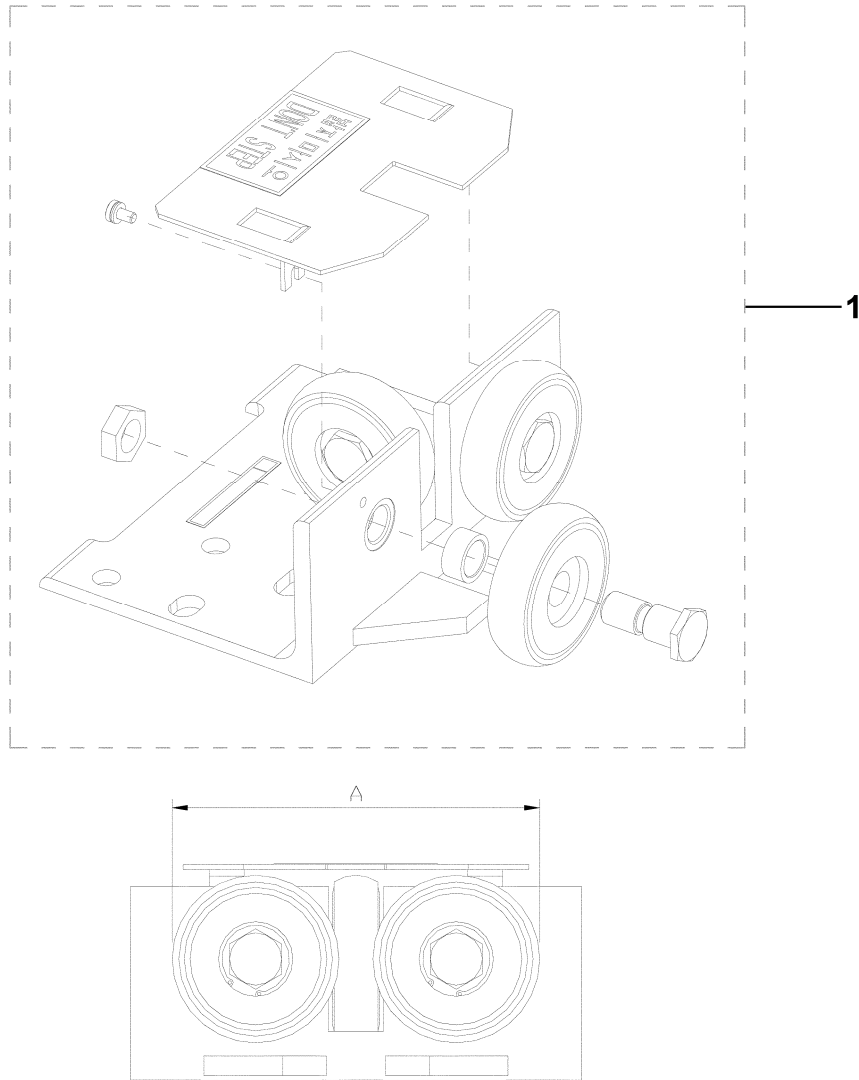
This document lists the lowest replaceable units (LRUs) for the standard version of the product. The LRUs are chosen by a team of Otis associates representing engineering and manufacturing.

While goal of this document is to make parts identification as easy as possible, the document cannot be all-inclusive. Elevator and escalator contracts classified as “special” or “custom” are not addressed here. For such contracts, please refer to specified information, the contract folder, TIPs, Field Education Articles, Construction Letters, etc. for further information.

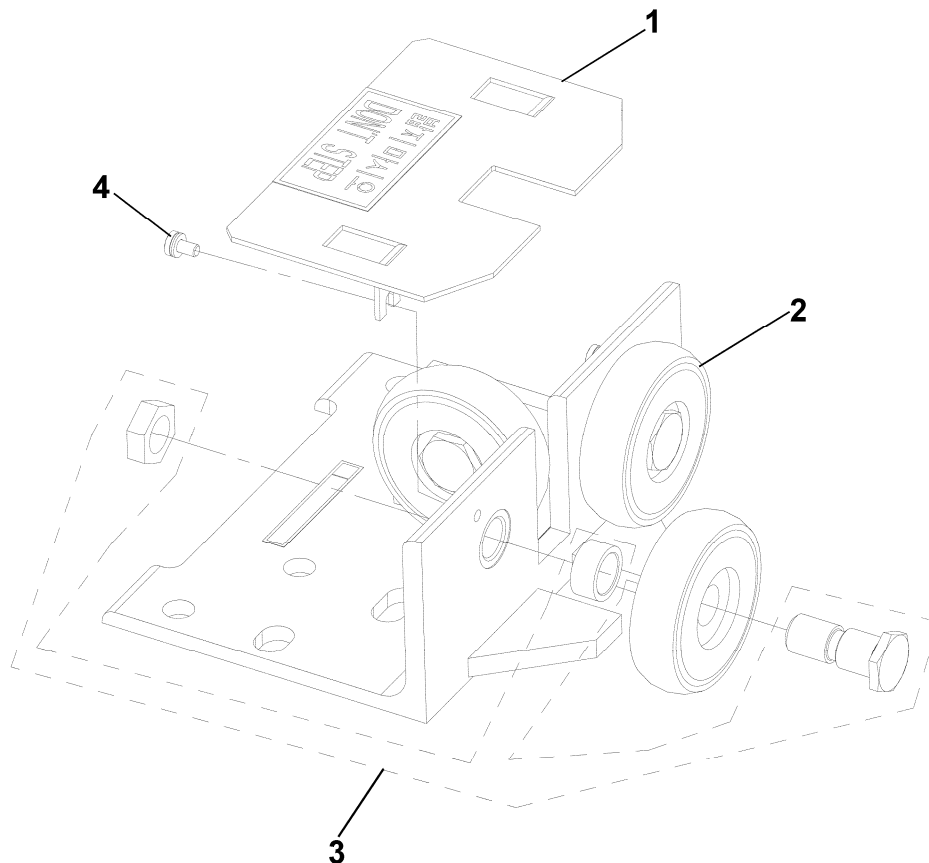
If you have any suggestions about this document, please contact the subject matter expert listed on this page.

Roller Guide Assemblies

14-KAA25830B



KAA25830B						
REF. No.	PART No.	DESCRIPTION	GUARD	RAIL		LENGTH "A"
1	KAA25830B1	Assembly, Roller Guide	With	T89	# 2	167.9
	KAA25830B2		Without	T89	# 2	167.9
	KAA25830B3		With	T127-1	# 1 1/2	167.9
	KAA25830B4		Without	T127-1	# 1 1/2	167.9



KAA25830B		
REF. No.	PART No.	DESCRIPTION
1	AAA384AHH1	Guard
2	AAA456YS2	Roller
3	KAA25830B401	Service Kit, Roller Bolt
4	AAA124FD38	Screw, Sems M5 x 10