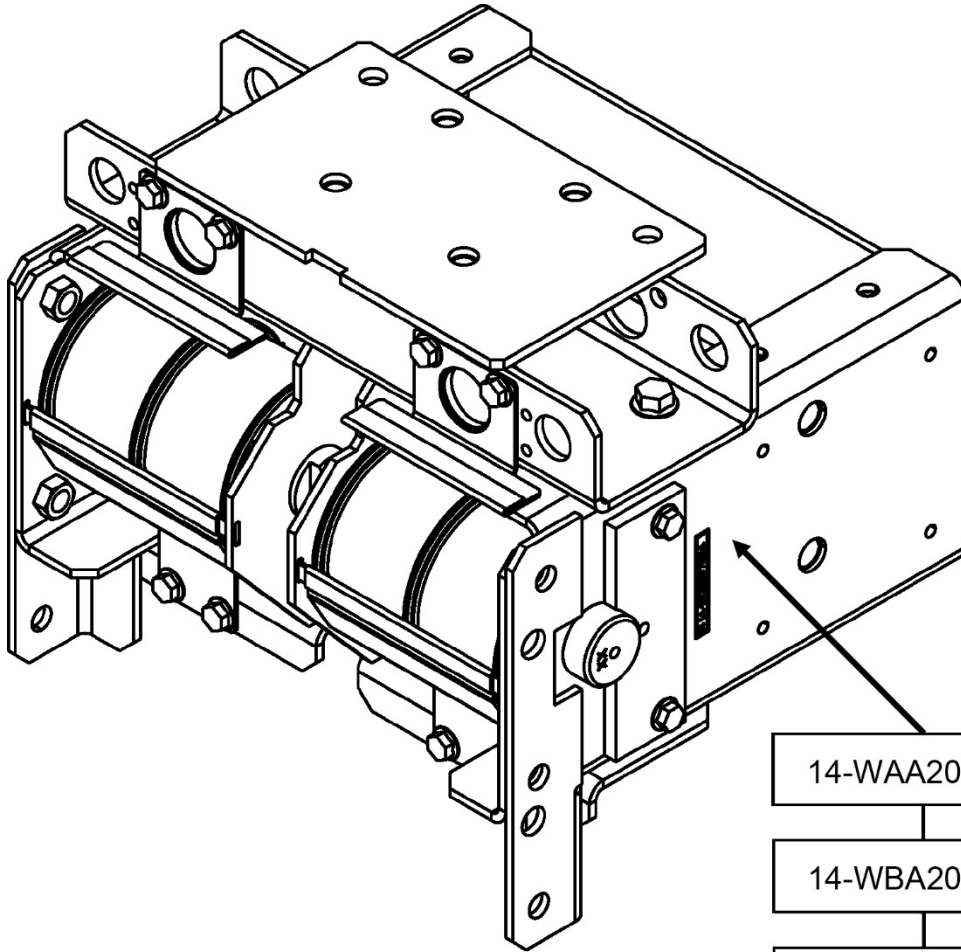


# Integrated Sheave Assembly

## Spare Parts Leaflet 14-WAA20780A

March 20, 2024/ Page 1 of 3



14-WAA20780A

14-WBA20780A

14-WCA20780A

14-WCB20780A

# OTIS

This document does not contain any  
technical data subject to EAR or ITAR

**SERVICE ENGINEERING**  
**Otis Elevator Company**  
**Bloomfield, Connecticut USA**

Unpublished Work—© Otis Elevator Co.; 2024

# History

**14-WAA20780A**

## Leaflet Description

This spare parts leaflet covers spare parts the integrated sheave assembly used on the Gen3 Core Passenger Duty Carframe / Crosshead assembly.

## Leaflet Revisions

| Date Revised   | Subject Matter Expert            | Reason for Revision |
|----------------|----------------------------------|---------------------|
| March 20, 2024 | Juan Murillo & Richard Blakelock | New SPL             |
|                |                                  |                     |
|                |                                  |                     |
|                |                                  |                     |

## Related Drawings

| Drawing No. | Title                  | Drawing No. | Title |
|-------------|------------------------|-------------|-------|
| WAA29507A   | Carframe Hardware Kits |             |       |
| WAA24011G   | Crosshead Assembly     |             |       |
|             |                        |             |       |
|             |                        |             |       |

## Related Documents

| Document ID      | Title                  |
|------------------|------------------------|
| SPL 14-WAA29507A | Gen3 Core Carframe SPL |

## Subject Matter Expert

| Name                             | Department                                      |
|----------------------------------|---|
| Richard Blakelock & Juan Murillo | Engineer SEE-Florence & OSC Service Engineering |

## About Spare Parts Leaflets...

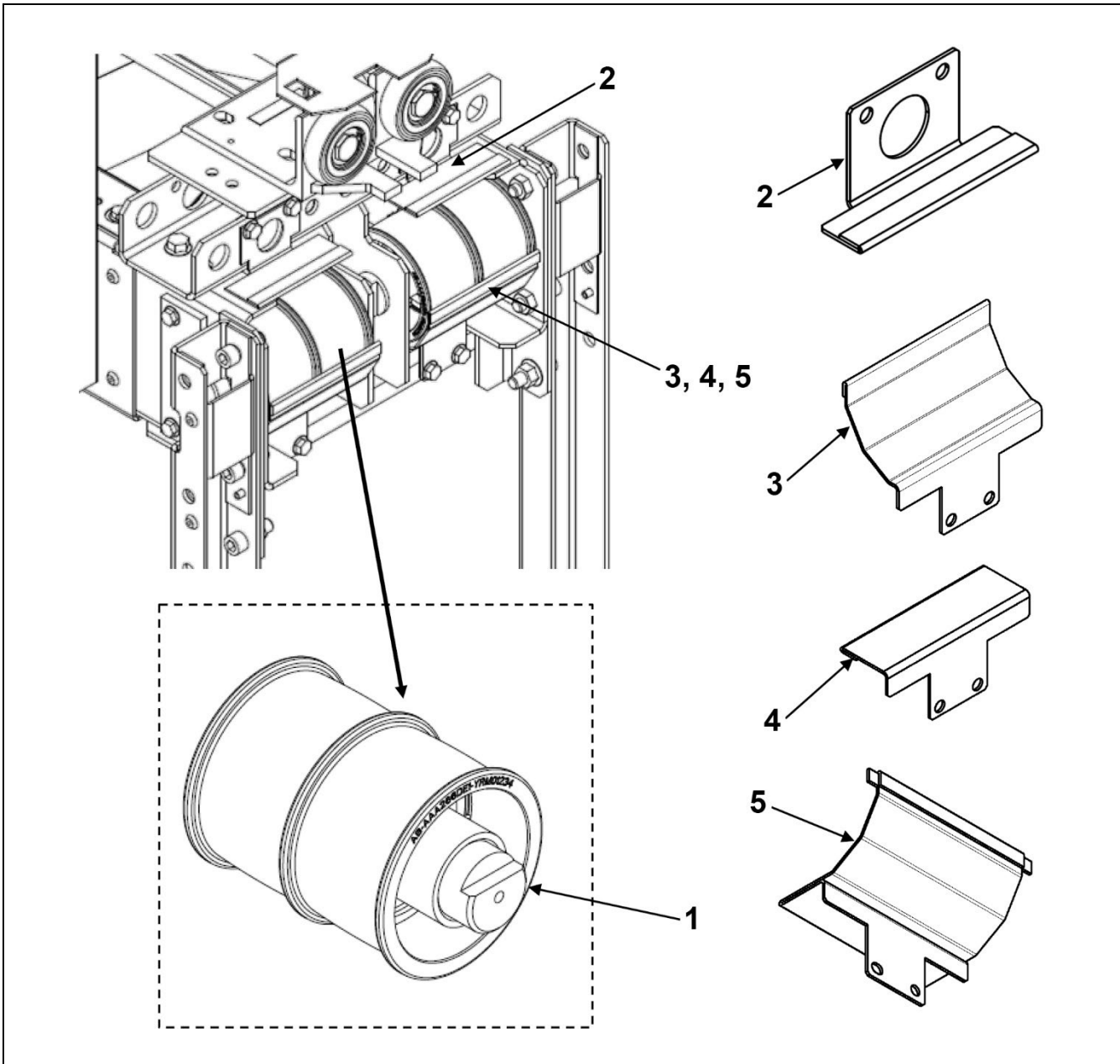
This document lists the lowest replaceable units (LRUs) for the standard version of the product. The LRUs are chosen by a team of Otis associates representing engineering and manufacturing.

While goal of this document is to make parts identification as easy as possible, the document cannot be all-inclusive. Elevator and escalator contracts classified as "special" or "custom" are not addressed here. For such contracts, please refer to specified information, the contract folder, TIPs, Field Education Articles, Construction Letters, etc. for further information.

If you have any suggestions about this document, please contact the subject matter expert listed on this page.

# Sheave Assembly

**14-WAA20780A**



|          | WAA20780A   | WBA20780A<br>WCA20780A | WCB20780A |   |
|----------|-------------|------------------------|-----------|---|
| REF. No. | PART No.    |                        |           | DESCRIPTION   |
| 1        | AAA20780AP1 |                        |           | Sheave, Assembly, 2 Grooves, 43 kN<br>(See SPL 14-AAA20780AP for additional service parts.) |
| 2        | WAA384AS2   |                        |           | Guard, Top  |
| 3        | WAA384G1    |                        | ---       | Guard, Bottom, Front  |
| 4        | WAA384AG1   |                        | ---       | Guard, Bottom, Rear   |
| 5        | ---         | ---                    | WAA384BK1 | Guard, Bottom, Combined   |