

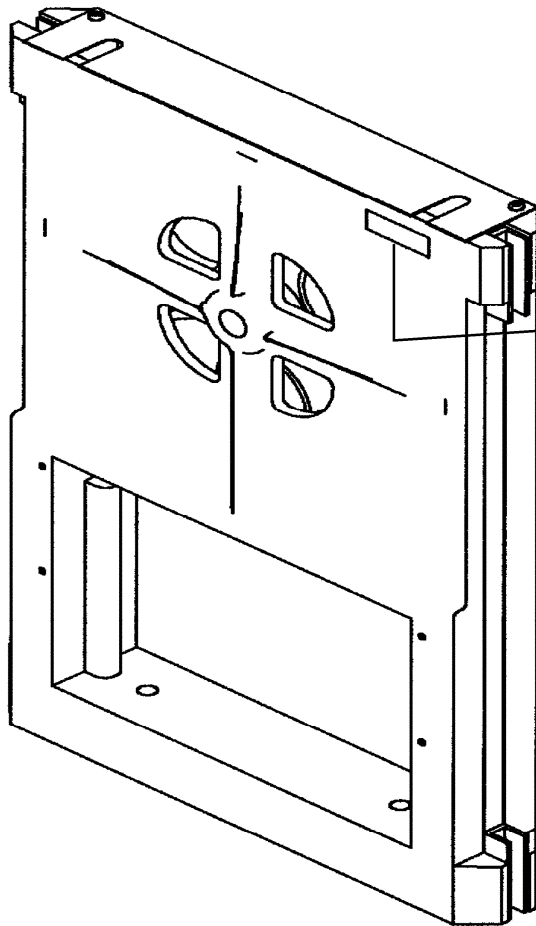
Type 6481AD Rope Tightener

Spare Parts Leaflet

15-6481AD

March 15, 2002 / Page 1 of 5

Supersedes SPL 15-6481AD Dated October 1, 2000



15	6481AD	
Y	VINTAGE	Y01

OTIS

Safety First!

SERVICE ENGINEERING
Otis Elevator Company
Bloomfield, Connecticut USA

Leaflet Description

This SPL was part of leaflet C-1094. Type 6481AD rope tightener now has a vintage tag, and so was broken out of the older leaflet. In October 1997, the ratchet teeth were removed from these tension frame assemblies. Though not illustrated, tension frames currently in the field that have ratchet teeth are still covered by spare parts shown in this SPL.

Leaflet Revisions

Date Revised	Subject Matter Expert	Reason for Revision
July 1998	Duane Stupienski	New leaflet
February 1, 2000	Duane Stupienski	Add reference to slack cable switches on p. 4 for CEN lift directive.
October 1, 2000	Duane Stupienski	Add component tag to cover page, update history page and add reference on CEN slack rope switch arrangement on p.5.
March 15, 2002	Duane Stupienski	Deleted counterweight governor rope tightener information. This information is now included under updated SPLs 15-AAA6481AG, 15-AAA22700N, 15-AAA22700AAA and under new SPL 15-A6481J.

Related Drawings

Drawing No.	Title
15-6481AD	Assembly, Governor Rope (1/2 in.) Tightener Sheave 16 in. Diameter
AAA6481AG	Arrangements CWT Governor Rope Tighteners
A6481J (post-9/88)	Governor Rope Tightener
AAA22700AAA	CWT Governor Rope Tighteners
ML 4503F29 (complete assembly w/weights)	---

History

15-6481AD

Related Documents

Document ID	Title
15-6481T	6481T Governor Rope Tightener Assembly
C-1005	Parallel Jaw J-1 Governor (Type A Governor Rope Tightener)
C-1038A	Governor Rope Tightener 7051A
C-1094	Type 6481G and 6481P Governor Rope Tighteners
15-A6481J	Governor Rope Tightener (Car)
15-AAA6481AG	Counterweight Governor Rope Tightener
15-AAA22700N	Counterweight Governor Rope Tightener
15-AAA22700AAA	Counterweight Governor Rope Tightener

Subject Matter Expert

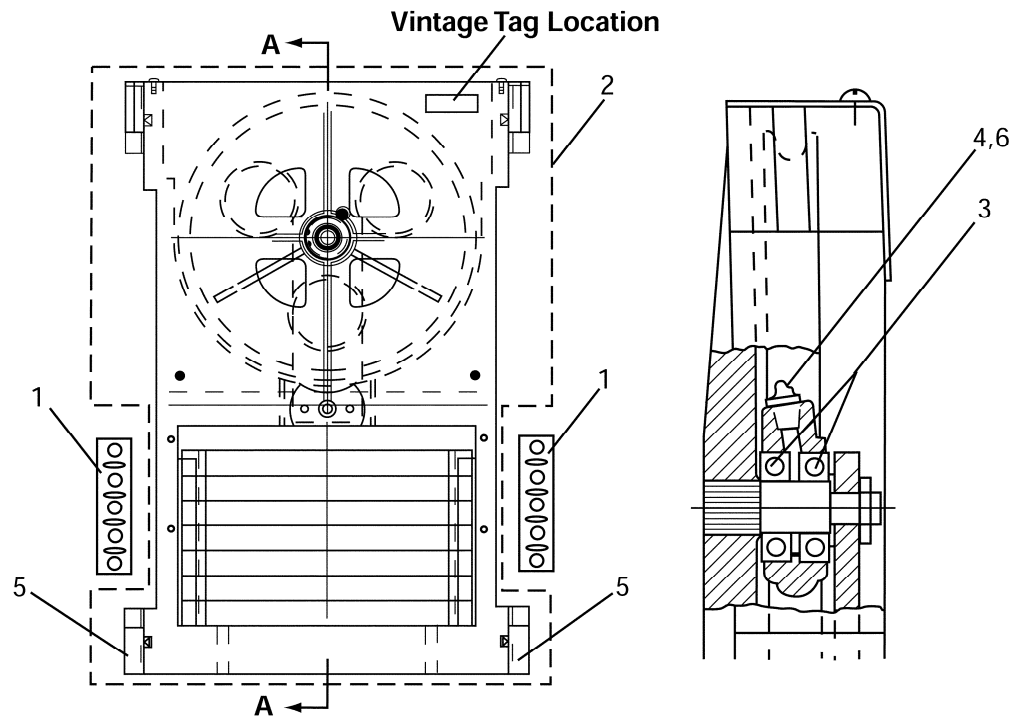
Name	Department
Duane Stupienski	OSC Service Engineering

About Spare Parts Leaflets...

This document lists the lowest replaceable units (LRUs) for the standard version of the product. The LRUs are chosen by a team of Otis associates representing engineering and manufacturing.

While goal of this document is to make parts identification as easy as possible, the document cannot be all-inclusive. Elevator and escalator contracts classified as "special" or "custom" are not addressed here. For such contracts, please refer to specified information, the contract folder, TIPs, Field Education Articles, Construction Letters, etc. for further information.

If you have any suggestions about this document, please contact the subject matter expert listed on this page.

15-6481AD**Type 6481AD Rope Tightener**

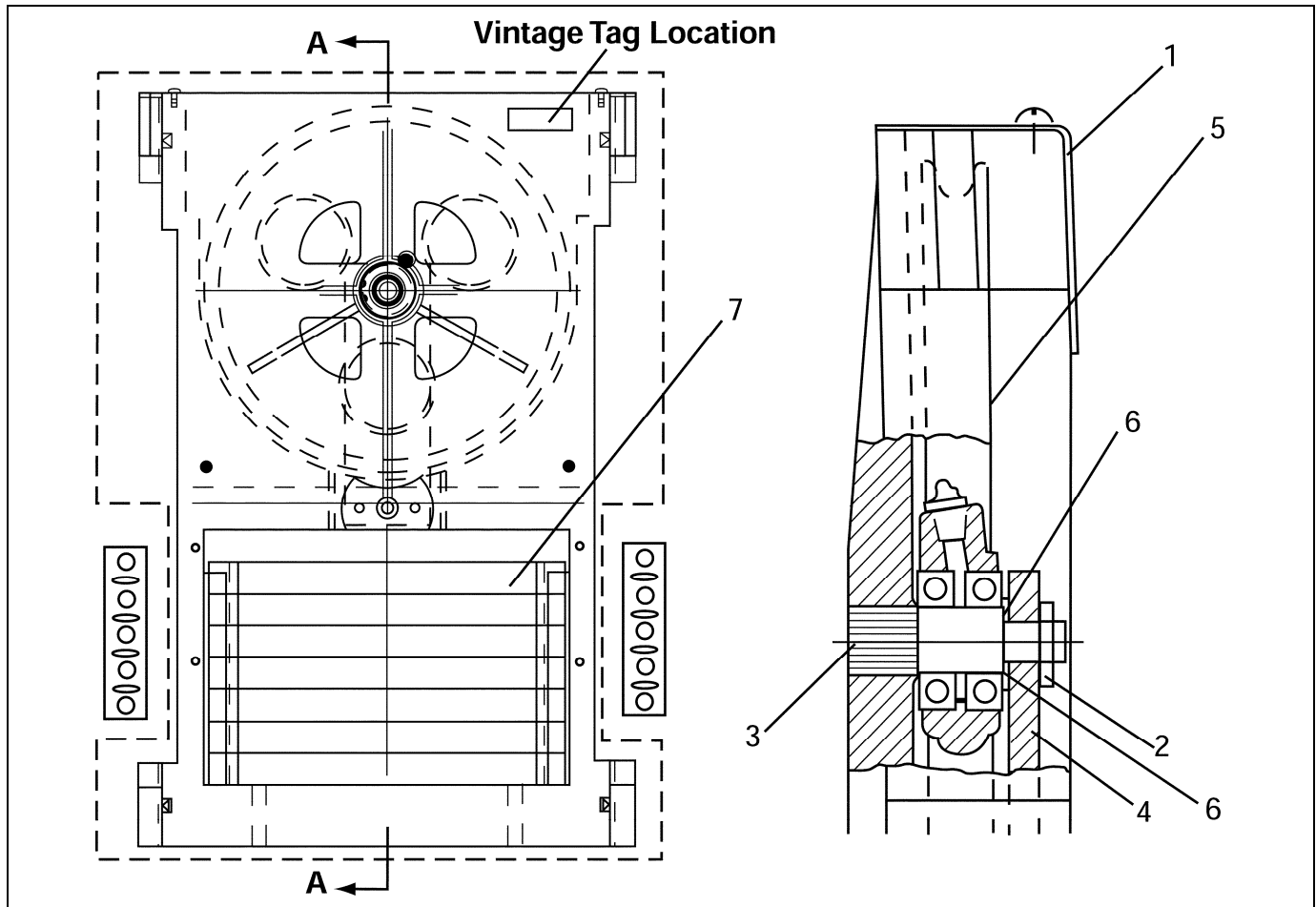
REF. No.	W/O VINTAGE & Y01 PART No.	DESCRIPTION	WEIGHT (lb)	APPLICATION
1	283JV1	Angle	---	---
2	6481AD4	Assembly, Tension Frame, Complete, w/o Weights, w/Ratchet Frame (use 6481AD2)	325	---
	6481AD2	Assembly, Tension Frame, Complete, w/o Weights, w/o Ratchet Frame		---
	6481AD3	Assembly, Tension Frame, Complete, w/o Weights, w/Heavy Load Bearings	500	Titan Heavy Duty
	6481AD6	Assembly, Tension Frame, Complete, w/Weights		Standard
	6481AD7	Assembly, Tension Frame, Complete, w/Weights		Heavy Duty
3	207Z79	Bearing, Sealed (two per assembly, also order ref. 10)		
	207Z18	Bearing (two per assembly)		
	207Z100	Bearing, Heavy Duty for Titan		
4	435C2	Fitting (do not use when sealed bearings are in place)		
5*	380BK1	Gib		
6	444AX40	Plug (W → ref. 3 sealed bearing)		

* Cement in place with Loctite 416, VP-700139.

(Continued on next page)

Type 6481AD Rope Tightener

15-6481AD



REF. No.	W/O VINTAGE & Y01 PART No.	DESCRIPTION
1	285BX1	Cover, 4.0 in. = L
	285BX2	Cover, 18.5 in. = L
2	67E14	Nut
3	77WH1	Pin
*	81AX24	Pin (W → ref. 4 to pin the plate to frame in two places)
4	386AYW1	Plate
5	AAA265CK1	Sheave w/No Bearings
	AAA265CK3	Sheave, w/Open Bearings
	AAA265CK4	Sheave, w/Heavy Duty Bearings for Titan Applications
6	127VB122	Washer
7	344BC1	Weight (seven per assembly)

* Part not shown.