

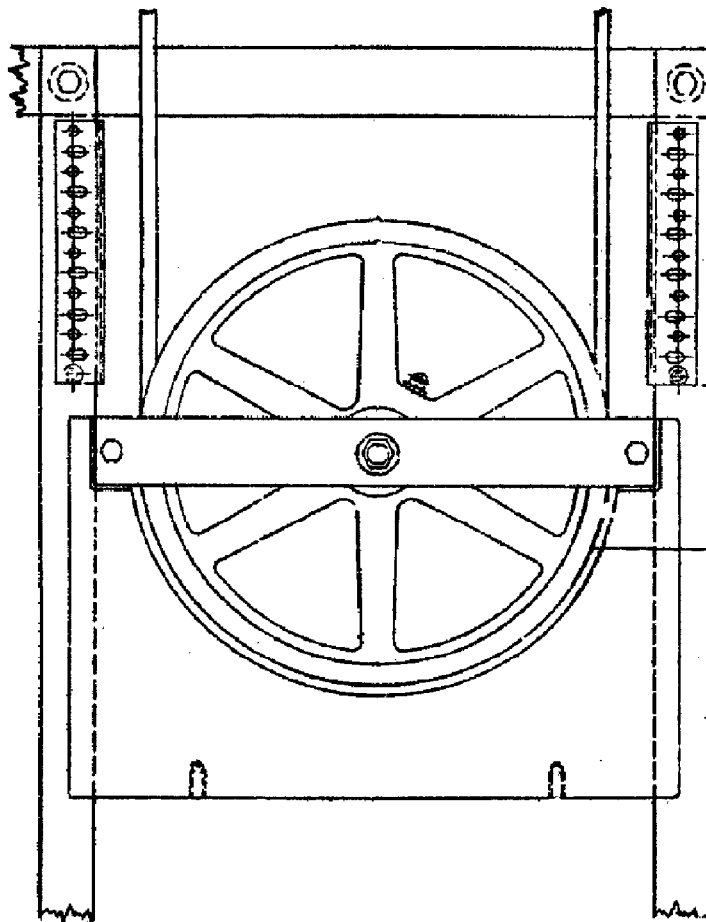
6481T Governor Rope Tightener Assembly

Spare Parts Leaflet 15-6481T

March 15, 2002 / Page 1 of 4

This SPL Supercedes (in part) SPL C-1094 Dated July 2000
and SPL 15-6481T Dated July 1, 2000

W/O VINTAGE



OTIS

Safety First!

SERVICE ENGINEERING
Otis Elevator Company
Bloomfield, Connecticut USA

Leaflet Description

This leaflet details the 6481T governor rope tightener assembly. Note that 6481T rope tightener applies only to 7063E governor < 205 ft. and < 700 fpm.

Leaflet Revisions

Date Revised	Subject Matter Expert	Reason for Revision
July 1, 2000	Duane Stupienski	New Leaflet
March 15, 2002	Duane Stupienski	Deleted counterweight governor rope tightener information on former page 5. This information is now included under updated SPL 15-AAA6481AG.

Related Drawings

Drawing No.	Drawing No.	Drawing No.	Drawing No.	Drawing No.
6481T	6481H	6481J	A6481J	7600DK
6481R	A6481Y	AAA6481AG	7600AB	AAA22700A
AAA7600DY				

Related Documents

Document ID	Title
TIP 9.2-1	A7063E & A7063F Governor Bearing and/or Shaft Failure
TIP 10.5-1	Governor Rope Tighteners 6481G, 6481P, 6481T
TIP 10.5-2	New UMHW Guide for Wire (6481G) Governor Tension Frame
SPL 15-AAA6481AG	Counterweight Governor Rope Tightener
ML 4503F30, O-524-1	---

Subject Matter Expert

Name	Department
Duane Stupienski	OSC Service Engineering

About Spare Parts Leaflets...

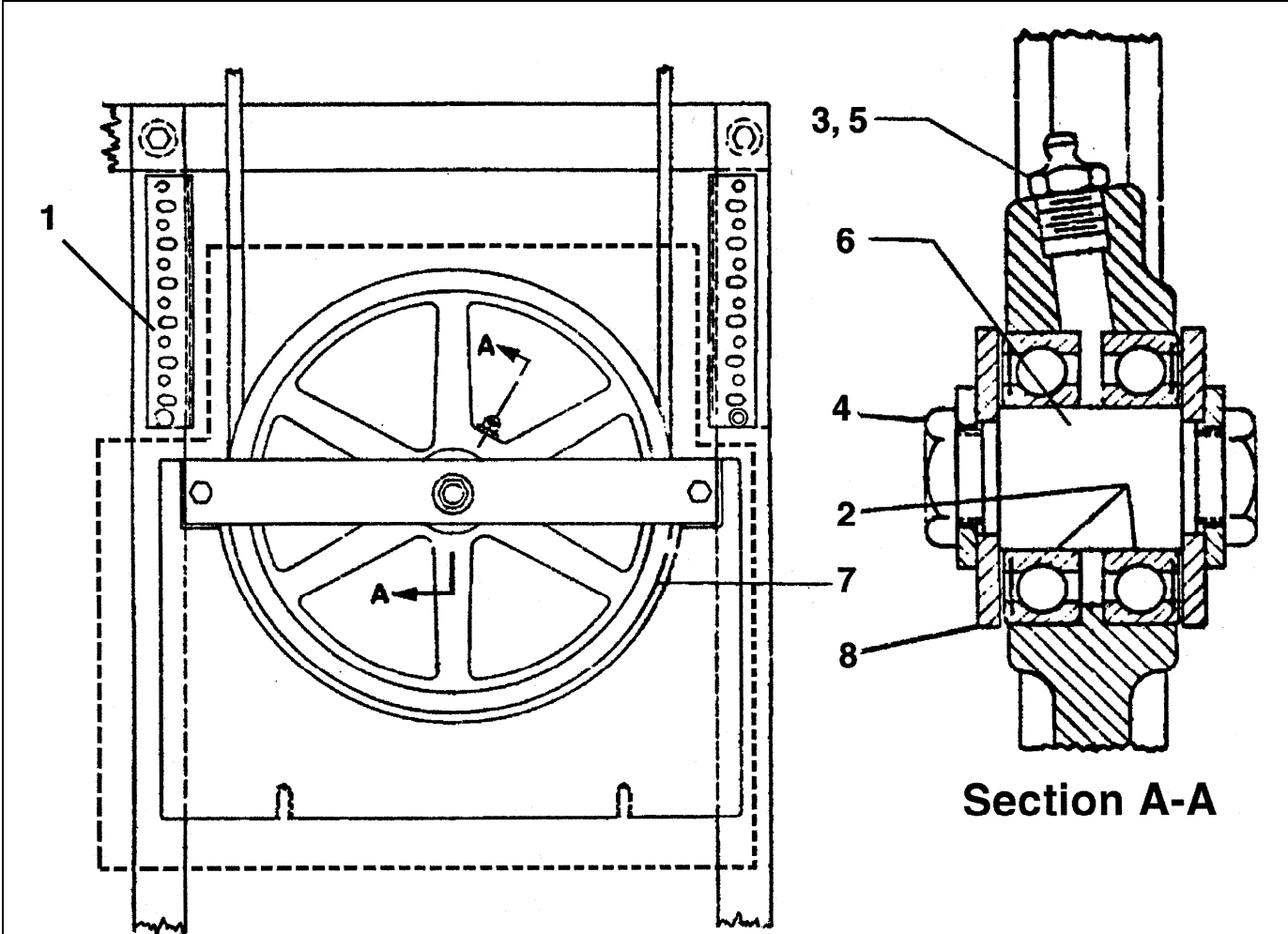
This document lists the lowest replaceable units (LRUs) for the standard version of the product. The LRUs are chosen by a team of Otis associates representing engineering and manufacturing.

While goal of this document is to make parts identification as easy as possible, the document cannot be all-inclusive. Elevator and escalator contracts classified as "special" or "custom" are not addressed here. For such contracts, please refer to specified information, the contract folder, TIPs, Field Education Articles, Construction Letters, etc. for further information.

If you have any suggestions about this document, please contact the subject matter expert listed on this page.

Sundries

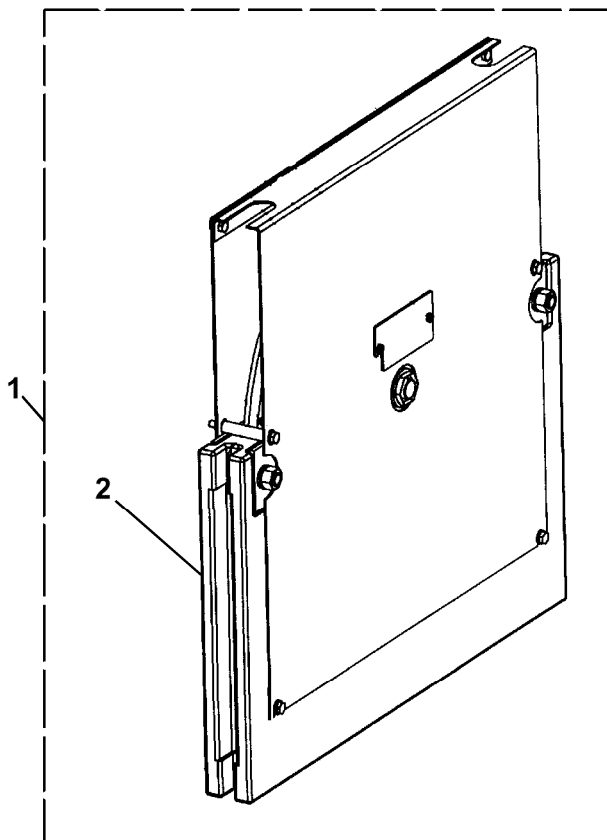
15-6481T



W/O VINTAGE					
REF. No.	PART No.	DESCRIPTION			
1	283JV1	Angle			
2	207Z79	Bearing, Sealed (field to remove grease fittings from sheave), <table border="1" style="display: inline-table; vertical-align: middle;"><tr><td>ORDER</td></tr><tr><td> </td></tr><tr><td> </td></tr></table> Ref. 5	ORDER		
	ORDER				
	207Z18	Bearing (field to retain ref. 3)			
3	435C2	Fitting			
4	67E14	Nut			
5	444AX40	Plug, Sealed Bearing, Ref. 2			
6	495CN1	Shaft			
7	265AD4 AAA265CK1	Sheave w/o Bearings, 16 in. \varnothing			
	AAA265CK3	Sheave w/207Z18 Bearings, 16 in. \varnothing			
8	298AM9	Strip			

15-6481T

6481T Governor Rope Tightener Assembly



VINTAGE		
REF. No.	PART No.	DESCRIPTION
1	6481T1 6481T2	Tightener, Governor Rope Assembly, 120 lb, 16 in. \varnothing
2	344BD1 344BD2	Weight