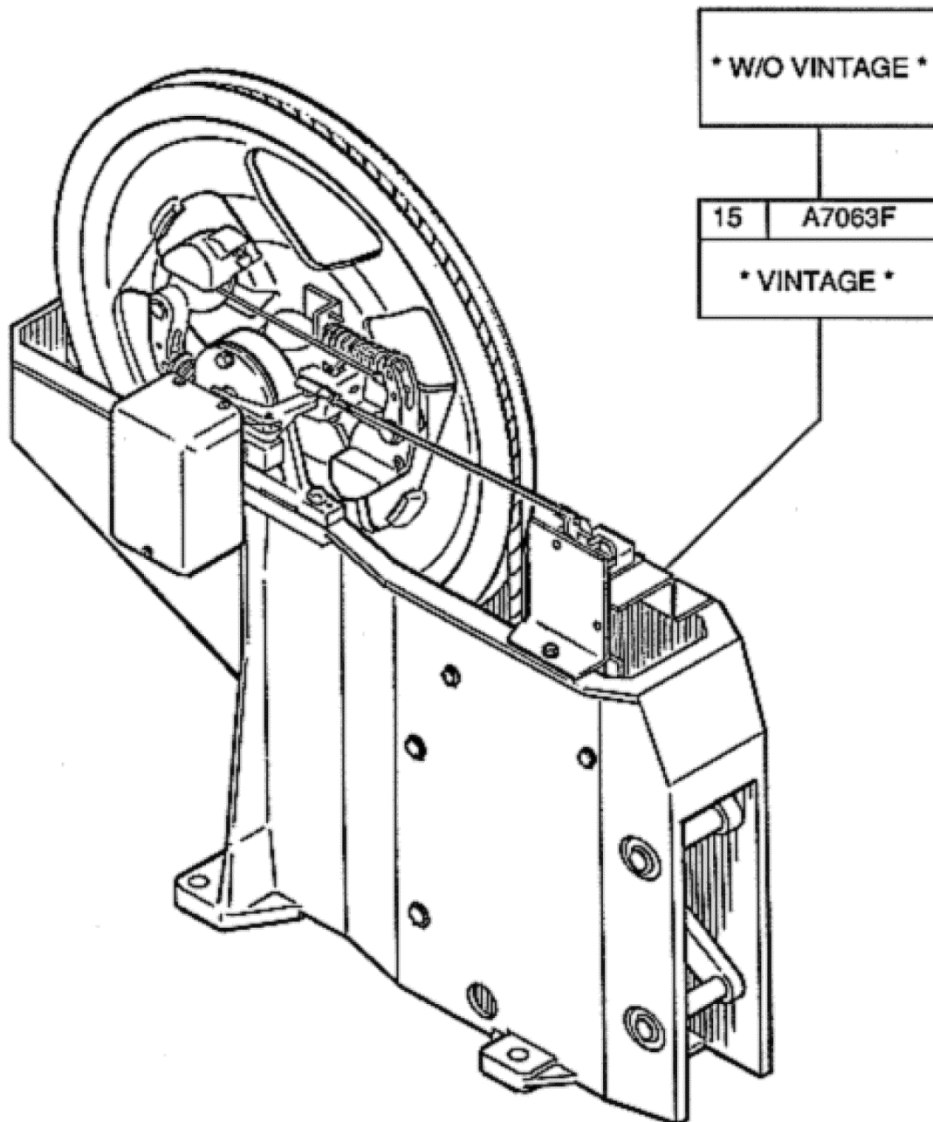


# Type 7063F Governor

## Spare Parts Leaflet

### 15-A7063F

January 27, 2016 / Page 1 of 8



# OTIS

**SERVICE ENGINEERING**  
**Otis Elevator Company**  
**Bloomfield, Connecticut USA**

Unpublished Work—© Otis Elevator Co.; 2016

**Leaflet Description**

This leaflet provides spare parts information for type 7063F governor.

**Leaflet Revisions**

<b>Date Revised</b>	<b>Subject Matter Expert</b>	<b>Reason for Revision</b>
January 1991	---	New SPL
January 27, 2016	Gary Mendrala	Updated document template; Added history page; Corrected ref. 2 on p. 8

**Related Drawings**

<b>Drawing No.</b>	<b>Title</b>	<b>Drawing No.</b>	<b>Title</b>
A7063F	7063F Governor		

**Related Documents**

<b>Document ID</b>	<b>Title</b>
SPL 15-AAA27076HC	Type 7063F Governor Encoder Retrofit Kit

**Subject Matter Expert**

<b>Name</b>	<b>Department</b>
Gary Mendrala	OSC Service Engineering

**About Spare Parts Leaflets...**

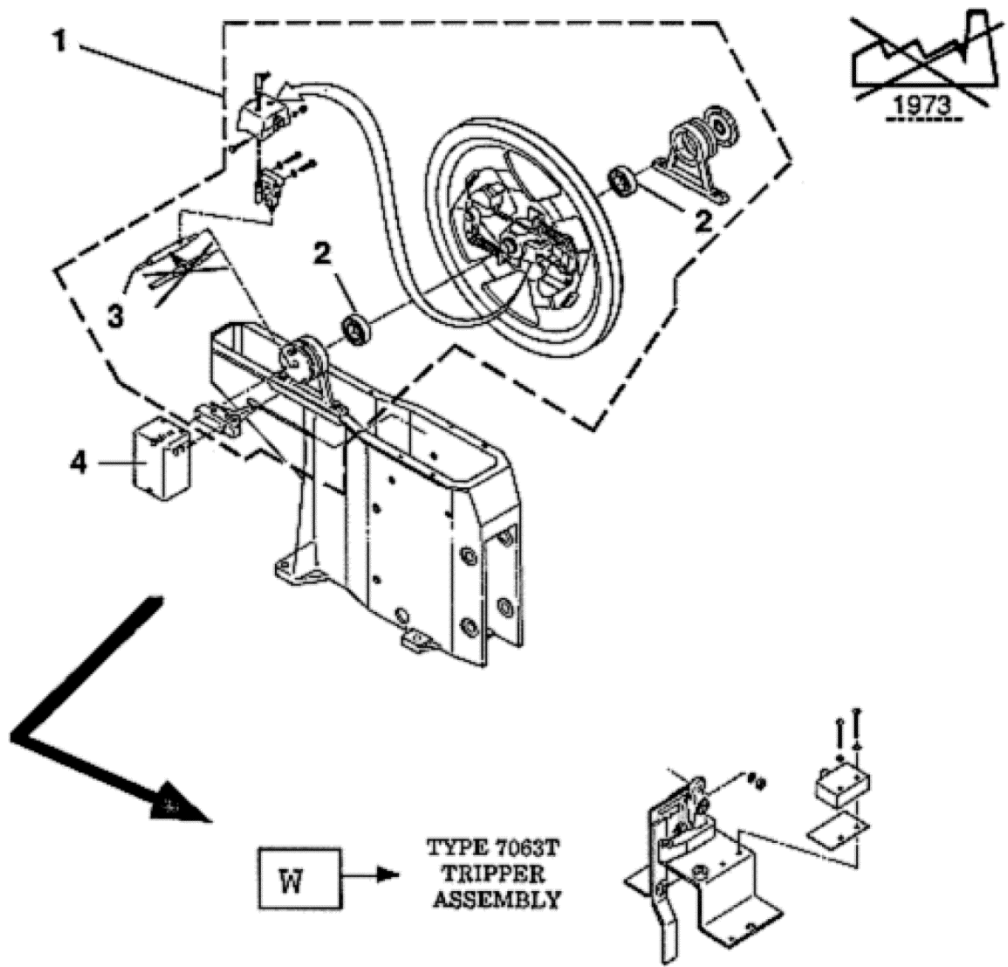
This document lists the lowest replaceable units (LRUs) for the standard version of the product. The LRUs are chosen by a team of Otis associates representing engineering and manufacturing.

While goal of this document is to make parts identification as easy as possible, the document cannot be all-inclusive. Elevator and escalator contracts classified as “special” or “custom” are not addressed here. For such contracts, please refer to specified information, the contract folder, TIPs, Field Education Articles, Construction Letters, etc. for further information.

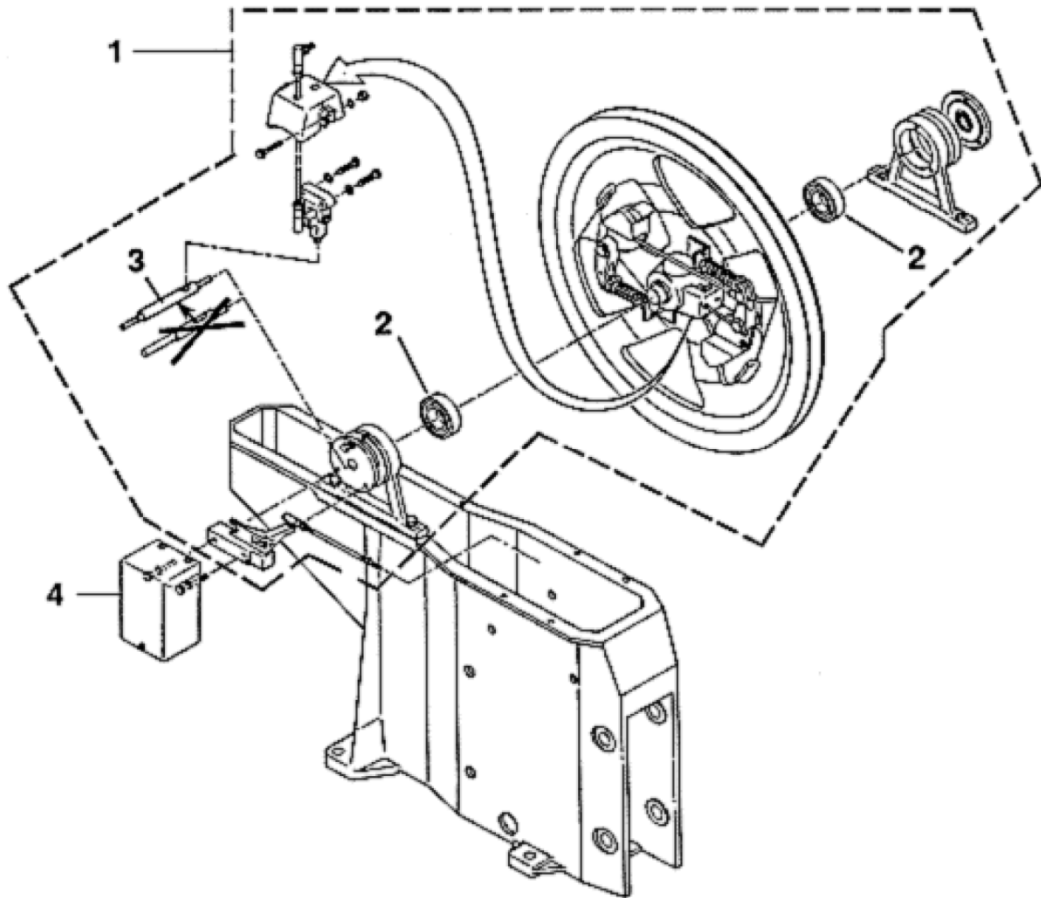
If you have any suggestions about this document, please contact the subject matter expert listed on this page.

# Type 7063F Governor

**15-A7063F**



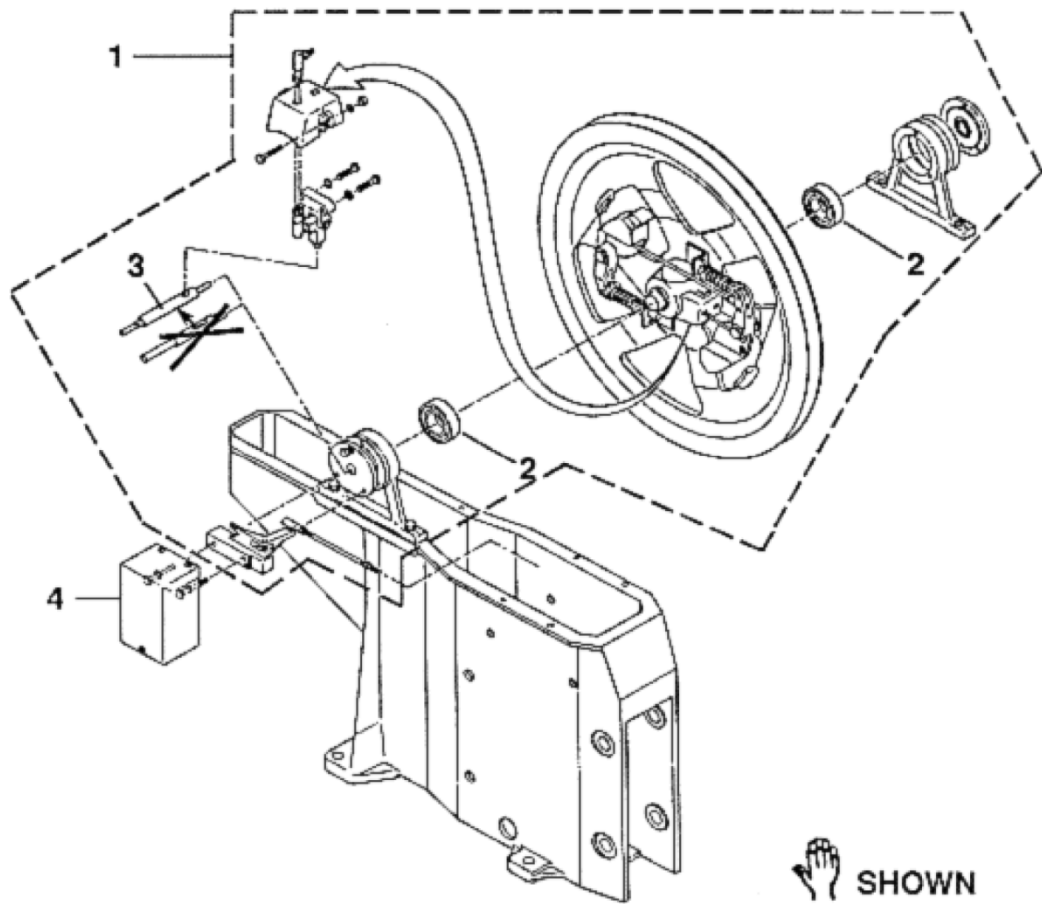
REF. No.	PART OR ML		DESCRIPTION
	W/O VINTAGE	W/O VINTAGE & VINTAGE Y 01	
1	2240B5		For order specify ref. 1 on p. 4 + ref. 2 on p. 8
	2240B4		For order specify ref. 1 on p. 5 + ref. 2 on p. 8
	2240B6		For order specify ref. 1 on p. 6 + ref. 2 on p. 8
2	207Z21		Bearing
3	445BD4	445BT1	Plunger, w/ Switch, Right Hand
	445BD3	445BT2	Plunger, w/o Switch, Right Hand
	445BD2	445BT3	Plunger, w/Switch, Right Hand
4	7063J5		Switch, Used with Emergency Terminal Slowdown
	7063J6		Switch, Used with w/o Emergency Terminal Slowdown



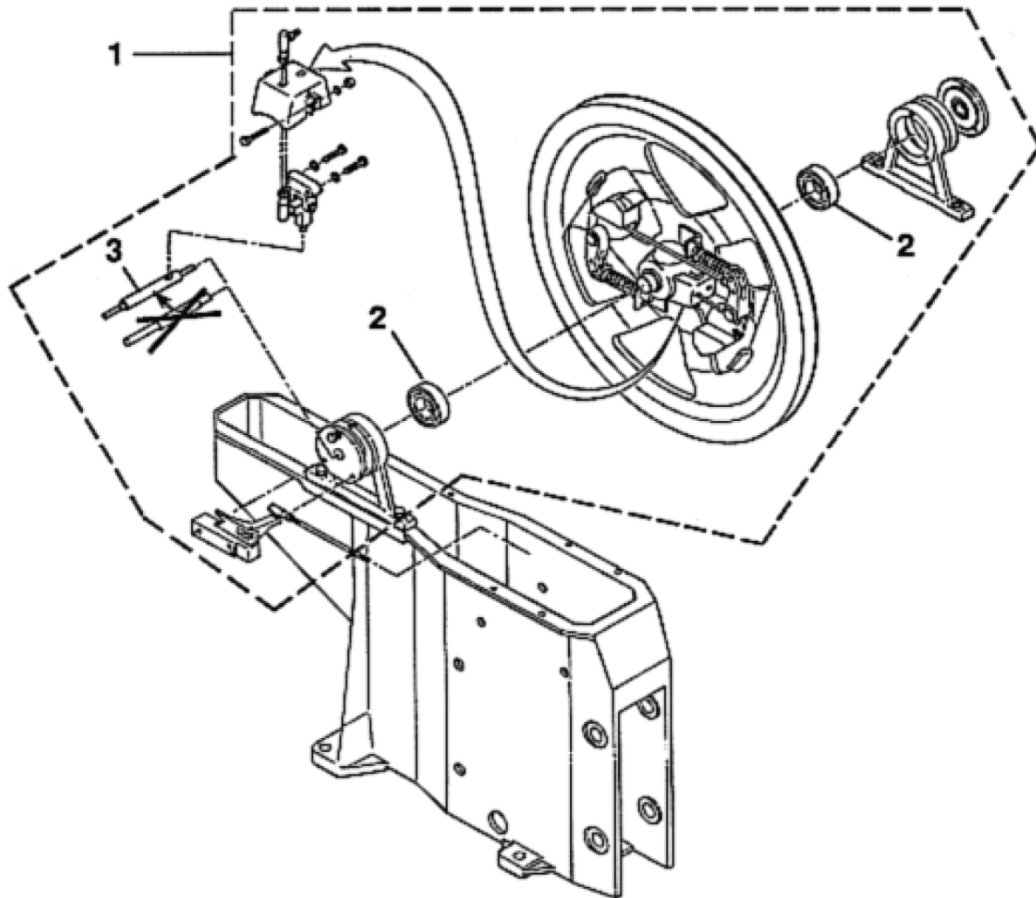
<b>W/O VINTAGE &amp; VINTAGE Y 01</b>			
<b>REF. No.</b>	<b>PART OR ML</b>	<b>DESCRIPTION</b>	<b>SPEED FPM</b>
1	2700CBB1	Assembly, Governor Sheave, Right Hand, Made from 2240B7	1000
	2700CBB2		1200
	2700CBB3		1400
	2700CBB4		1600
	2700CBB5		1800
2	BEARING SKF207Z	Bearing	
3	445DD4 445BT1	Plunger	
4	7063J5	Switch, Used w/ Emergency Terminal Switch	
	7063J6	Switch, Used w/o Emergency Terminal Switch	

# Type 7063F Governor

**15-A7063F**



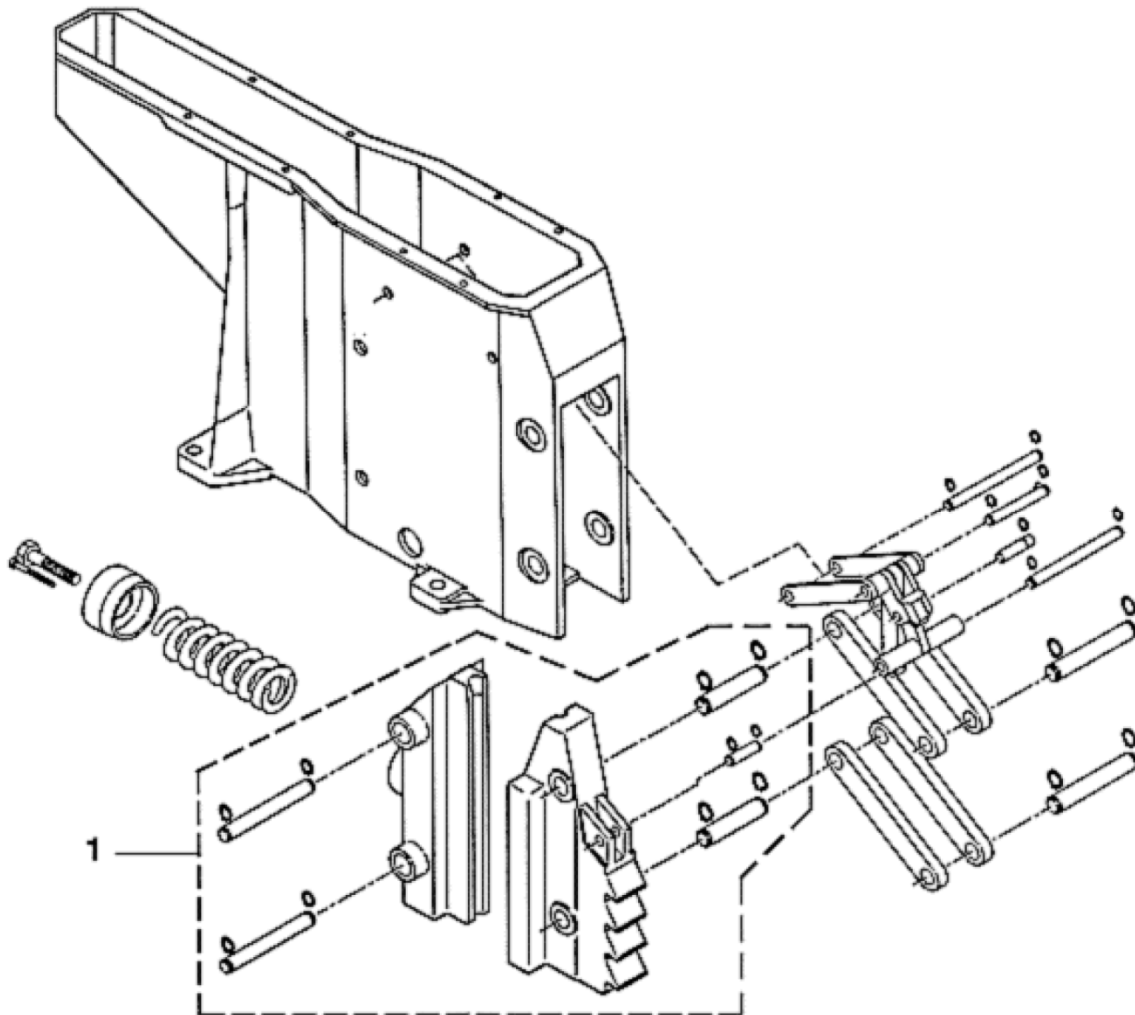
<b>W/O VINTAGE &amp; VINTAGE Y 01</b>			
<b>REF. No.</b>	<b>PART OR ML</b>	<b>DESCRIPTION</b>	<b>SPEED FPM</b>
1	2700CBB6	Assembly, Governor Sheave, Left Hand Made from 2240B8	1000
	2700CBB7		1200
	2700CBB8		1400
	2700CBB9		1600
	2700CBB10		1800
2	BEARING SKF207Z	Bearing	
3	445BD2 445BT3	Plunger	
4	7063J5	Switch, Used w/ Emergency Terminal Switch	



<b>W/O VINTAGE &amp; VINTAGE Y 01</b>			
<b>REF. No.</b>	<b>PART OR ML</b>	<b>DESCRIPTION</b>	<b>SPEED FPM</b>
1	2700CBB11	Assembly, Governor Sheave, Right Hand, w/o Switch Made from 2240B9	1000
	2700CBB12		1200
	2700CBB13		1400
	2700CBB14		1600
	2700CBB15		1800
2	BEARING SKF207Z	Bearing	
3	445BD3 445BT2	Plunger	

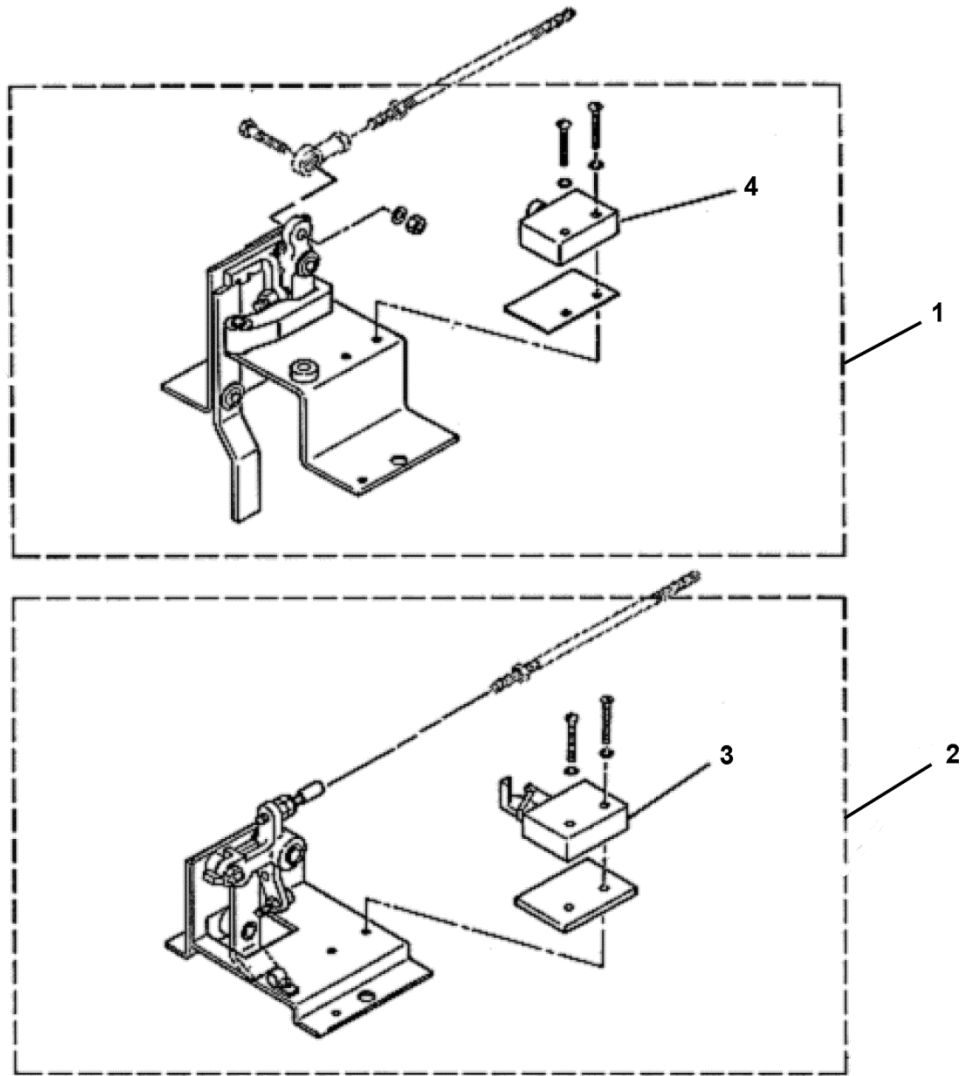
# Rope Clamp

15-A7063F



**W/O VINTAGE &  
VINTAGE Y 01**

REF. No.	PART No.	DESCRIPTION
1	2700CBB16	Assembly, Rope Clamp



**W/O VINTAGE &  
VINTAGE Y 01**

<b>REF. No.</b>	<b>PART No.</b>	<b>DESCRIPTION</b>
1	7063T1	Assembly, Tripper
2	7063BB2	Assembly, Tripper, Right Hand (shown)
	7063BB4	Assembly, Tripper Left Hand
3	7035A39	Pushbutton Unit
	7035A106	
4	7035A23	Pushbutton Unit