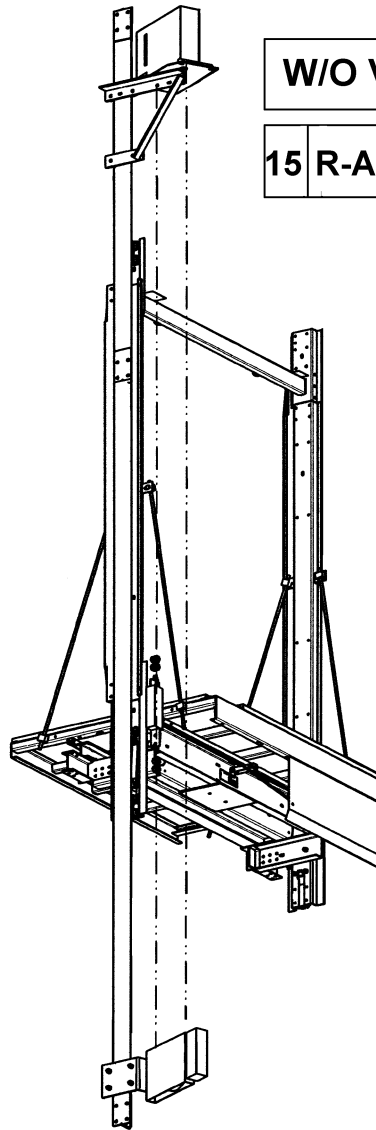


Apollo Governor Accessories

Spare Parts Leaflet

15-AAA20600H

May 8, 2024 / Page 1 of 6



W/O VINTAGE

15 R-ABA20600H

OTIS

This document does not contain any
technical data subject to EAR or ITAR

SERVICE ENGINEERING
Otis Elevator Company
Bloomfield, Connecticut USA

Unpublished Work—© Otis Elevator Co.; 2024

History

15-AAA20600H

Leaflet Description

This leaflet derives from Spain's governor and tension frame leaflet 15-T**22700E. The Apollo governor was first used in the Otis LVME elevator system. The ABA20600H version system is distinguished from the AAA version by governors which had the overspeed switch added.

Leaflet Revisions

Date Revised	Subject Matter Expert	Reason for Revision
April 1999	Duane Stupienski	New leaflet
September 26, 2001	Duane Stupienski	Update parts and cross-references.
February 6, 2002	Duane Stupienski	Add ABA20600H vintage information on cover page and page 3
July 14, 2010	Gary Mendrala	New page 6. Overspeed switch guard.
May 8, 2024	Jordan Thomas	Removing complete governor and referring instead to Apolo (Apollo) governor SPL 15-TAA20602B. Changing title from Apolo Governor to Apollo Governor Accessories.

Related Drawings

Drawing No.	Title	Drawing No.	Title
ABA20600H	Apollo Governor Arrangement	ABA20600J	Apollo Governor Kit
TAA20602B	Speed Governor, Traction Type - Sheave 305 mm	TAA22700E	Tension Device

Related Documents

Document ID	Title
SPL 15-TAA20602B	Apolo (Apollo) B Governor, Traction System Sheave 305 mm Dia.
SPL 15-TAA22700E	Tension Device
SPL 11-AAA712P	Wire Rope, Coated Steel Belts (CSB), and Tools
SPL 15-AAA22700K	Governor and Rope Tightener

Subject Matter Expert

Name	Department
Jordan Thomas	OSC Service Engineering

About Spare Parts Leaflets...

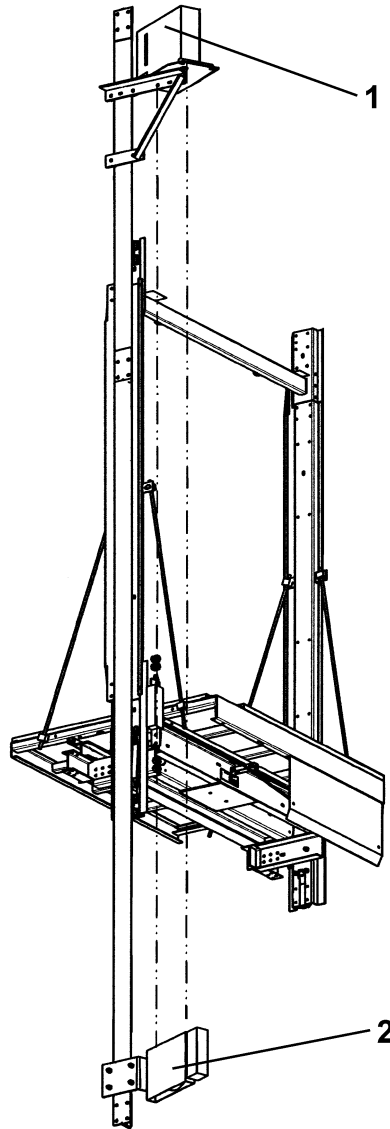
This document lists the lowest replaceable units (LRUs) for the standard version of the product. The LRUs are chosen by a team of Otis associates representing engineering and manufacturing.

While goal of this document is to make parts identification as easy as possible, the document cannot be all-inclusive. Elevator and escalator contracts classified as "special" or "custom" are not addressed here. For such contracts, please refer to specified information, the contract folder, TIPs, Field Education Articles, Construction Letters, etc. for further information.

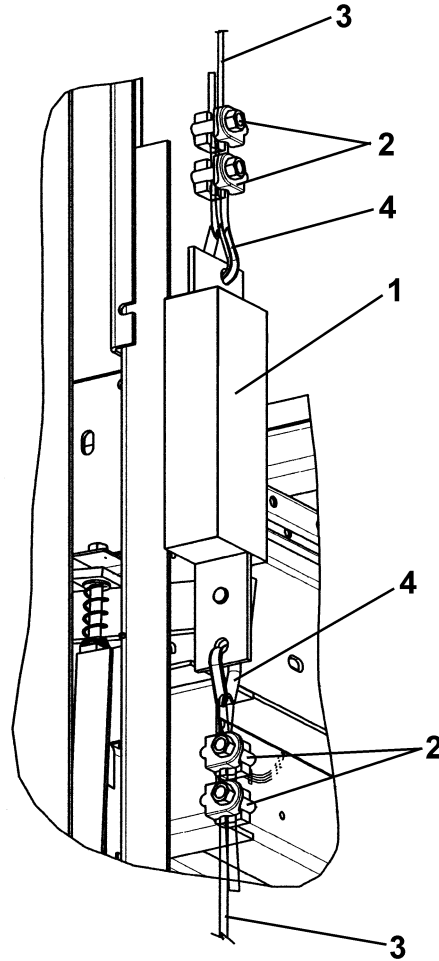
If you have any suggestions about this document, please contact the subject matter expert listed on this page.

Apollo Governor



15-AAA20600H



	W/O VINTAGE	ABA20600H	
REF. No.	PART No.		DESCRIPTION
1	---		Governor. See SPL 15-TAA20602B.
2	---		Governor & Rope Tightener, See details in SPL 15-AAA22700K, <i>Governor and Rope Tightener</i> , SPL 15-T**22700E, <i>Tension Device</i>

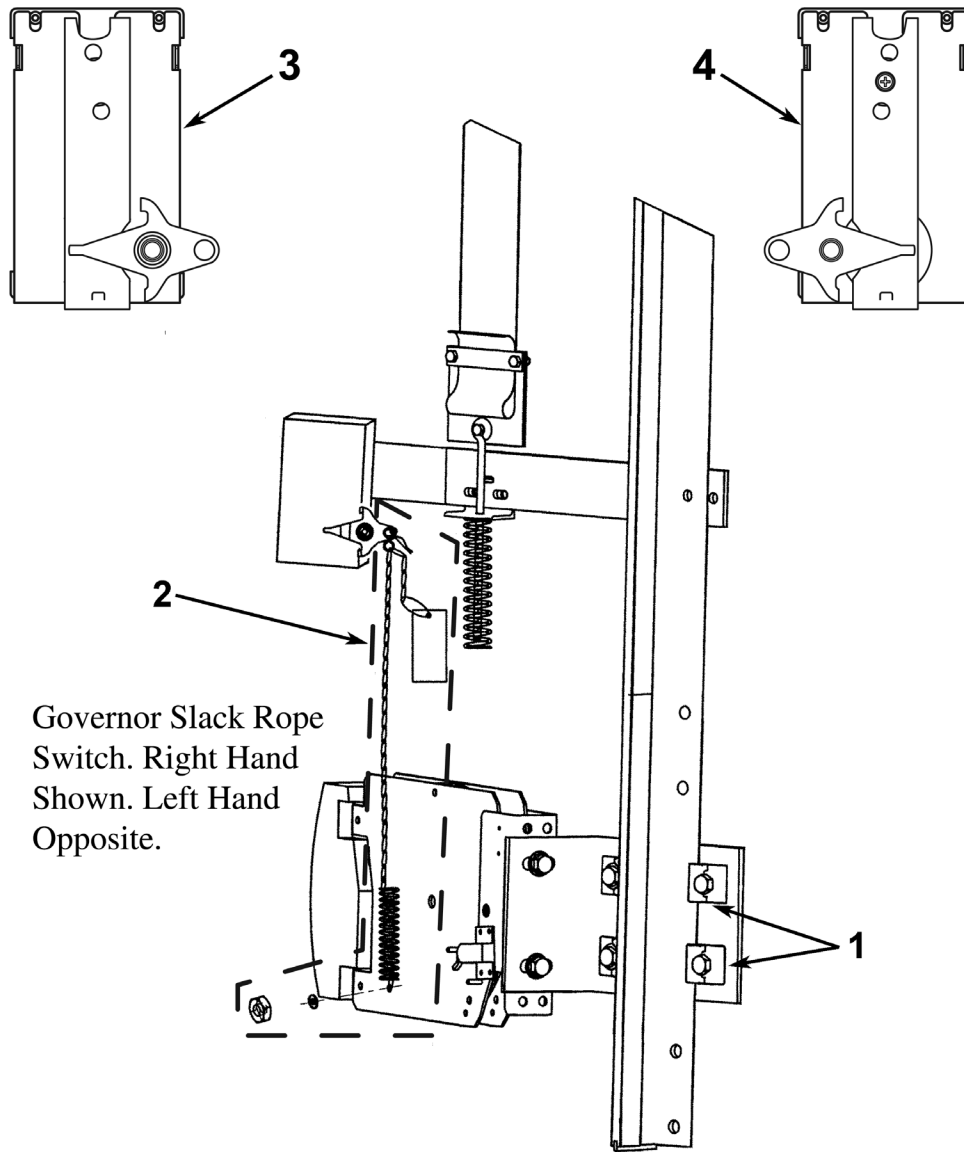


**W/O VINTAGE,
ABA20600H**



REF. No.	PART No.	DESCRIPTION
1	AAA344BW1	Assembly, Weight, Safety Linkage (25 ft. or less rise)
	AAA344BW2	Assembly, Weight, Safety Linkage (25 ft. - 45 ft. rise)
	AAA344BW3	Assembly, Weight, Safety Linkage (above 45 ft. rise)
2	336KX1	Clamp, Rope  3/8-in. Rope 
3	AAA712W58	Rope, Wire
4	AAA231R2	Thimble, Rope

Chain Mounting Kit & Switch

15-AAA20600H

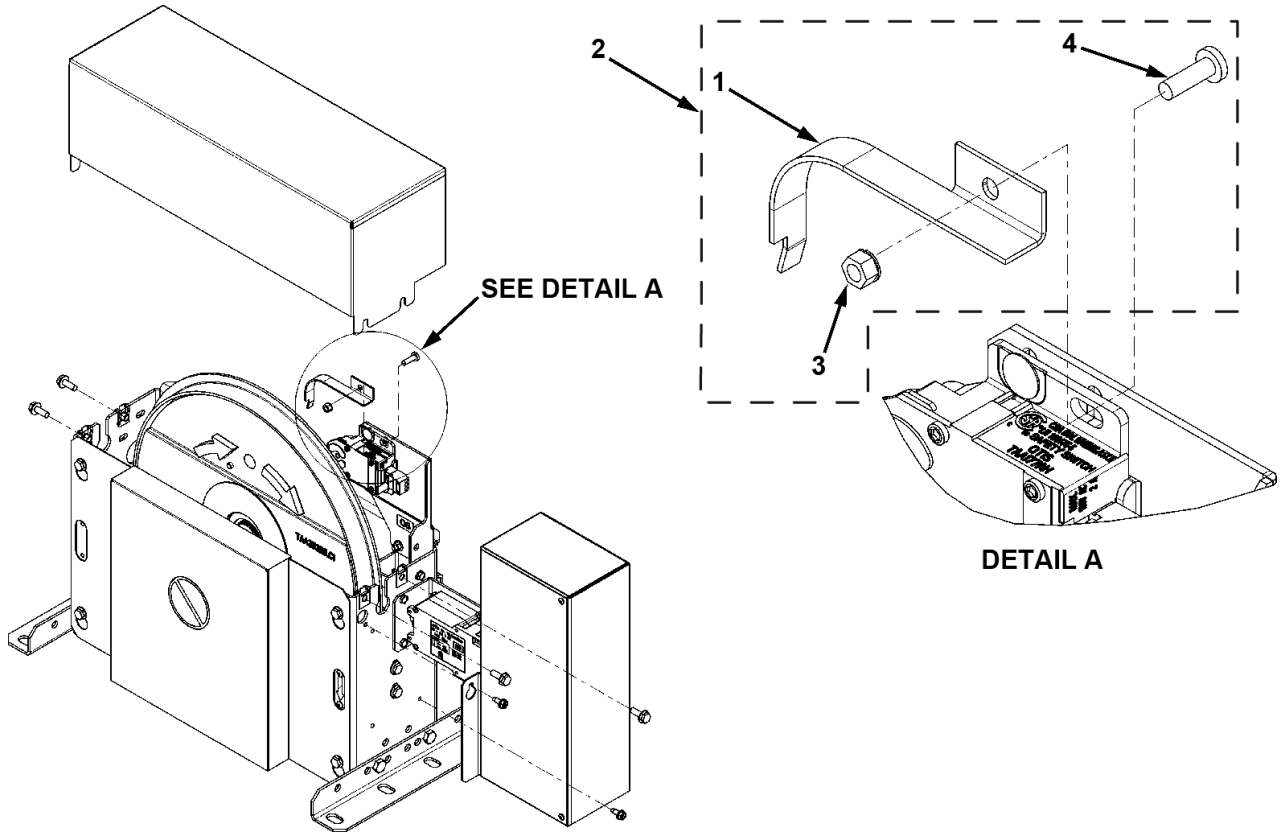


**W/O VINTAGE,
ABA20600H**

REF. No.	PART No.	DESCRIPTION
1	339GM1	Clip, Rail
2	AAA20600J400 ABA20600J400	Kit, Chain Mounting (includes: S-hook, chain, spring, label, wire tie, and hardware)
3	AAA6098NR1	Switch, 
4	AAA6098NR2	Switch, 

Overspeed Switch Guard

15-AAA20600H



ABA20600H		
REF. No.	PART No.	DESCRIPTION
1	AAA316HRT2	Bracket, Overspeed
2	AAA316HRT1	Kit
3	NON7203M5-8-Z	Nut, Hex Lock with Lockwasher, M5 (purchase locally)
4	ISO7045M5X16H-4.8Z	Screw, Pan Head, M5-16 (purchase locally)