

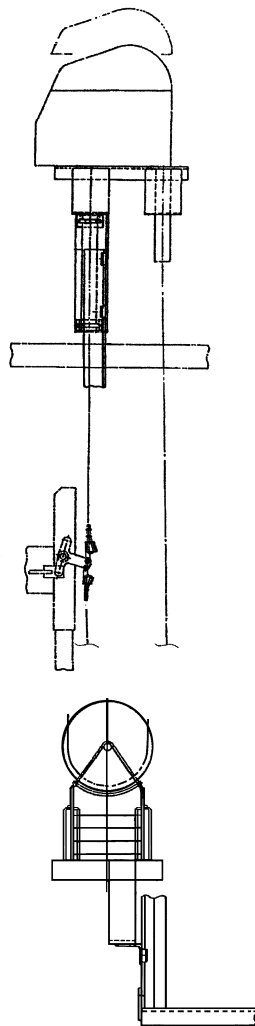
**Counterweight
Governor Rope System:
A9672D Safety**

Spare Parts Leaflet

15-AAA22700A

July 28, 2005 / Page 1 of 3

W/O VINTAGE



OTIS

Safety First!

SERVICE ENGINEERING

Otis Elevator Company

Bloomfield, Connecticut USA

Leaflet Description

The AAA22700A drawing titled "Assembly and Arrangement Counterweight Governor Rope System A9672D Safety" was originally dated 1989-08-30. This leaflet provides spare part information for the AAA22700A system.

Leaflet Revisions

Date Revised	Subject Matter Expert	Reason for Revision
July 28, 2005	Sean Mismas	New SPL
---	---	---

Related Drawings

Drawing No.	Title	Drawing No.	Title
AAA22700A	Assembly and Arrangement: CWT Governor Rope System A9672D Safety	---	---

Related Documents

Document ID	Title
SPL C-1094	Type 6481 Governor Rope Tighteners
SPL C-1066A	Type A7063A & B7063A Governor
SPL 11-AAA712P	Wire Rope, Shackles and Springs

Subject Matter Expert

Name	Department
Sean Mismas	OSC Service Engineering

About Spare Parts Leaflets...

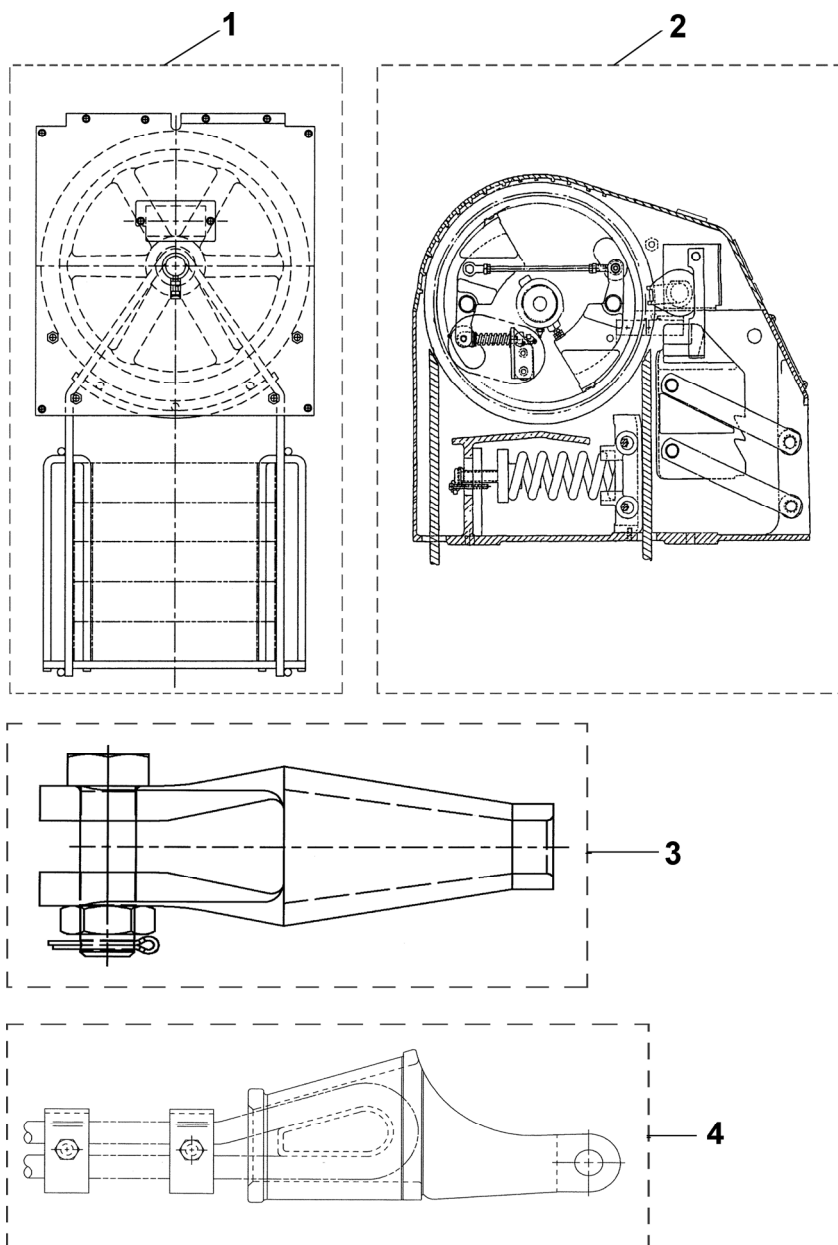
This document lists the lowest replaceable units (LRUs) for the standard version of the product. The LRUs are chosen by a team of Otis associates representing engineering and manufacturing.

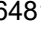

While goal of this document is to make parts identification as easy as possible, the document cannot be all-inclusive. Elevator and escalator contracts classified as "special" or "custom" are not addressed here. For such contracts, please refer to specified information, the contract folder, TIPs, Field Education Articles, Construction Letters, etc. for further information.

If you have any suggestions about this document, please contact the subject matter expert listed on this page.

Governor and Rope Socket

15-AAA22700A



W/O VINTAGE		
REF. No.	PART No.	DESCRIPTION
1	A6481G2	Governor, Type A6481G, 3/8 in. Rope Tightener, 12 in Dia Sheave,  SPL C-1094
2	---	Governor, Type B7063A, 12 in Dia Sheave,  SPL C-1066A
3	227C7	Socket, Babbitted, for 3/8 in. Diameter Governor Rope, Including Nut, Bolt, and Cotter Pin
4	AAA227E7 AAA227E14	Socket, Wedge, for 3/8 in. Diameter Governor Rope, Including Nut, Bolt, Cotter Pin, Wedge, and Two Retaining Clips

NOTE: For wire rope information, refer to SPL 11-AAA712P.