

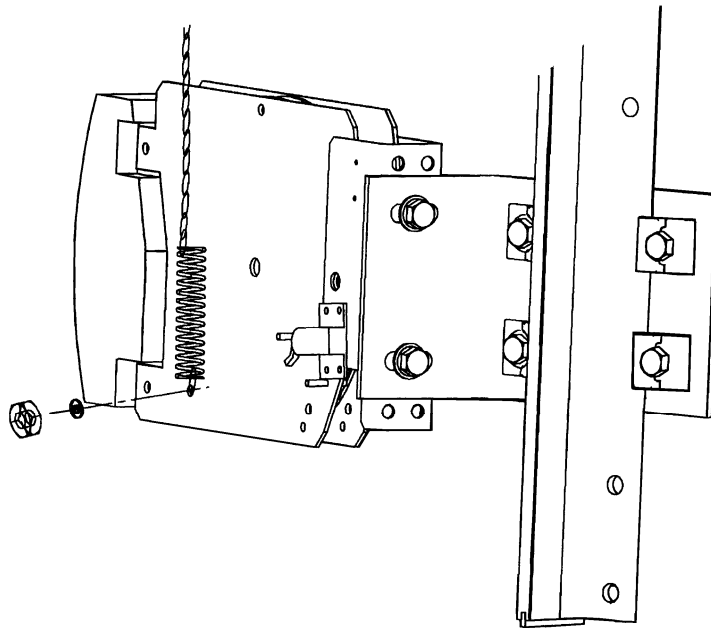
Governor and Rope Tightener

Spare Parts Leaflet

15-AAA22700K

November 4, 2014 / Page 1 of 3

W/O VINTAGE



NOTE: Vintage governed by SPL 15-T22700E**

OTIS

SERVICE ENGINEERING
Otis Elevator Company
Bloomfield, Connecticut USA

Unpublished Work—© Otis Elevator Co.; 2014

Leaflet Description

This leaflet supports governor and rope tightener that is used with the Apollo governor.

Leaflet Revisions

Date Revised	Subject Matter Expert	Reason for Revision
May 1999	Duane Stupienski	Create new leaflet based on LRUs that are not called out in Spain's leaflet 15-TAA20602B.
September 26, 2001	Duane Stupienski	Update parts and cross-references.
November 4, 2014	Gary Mendrala	Corrected document template

Related Drawings

Drawing No.	Title	Drawing No.	Title
AAA22700K	Assembly and Arrangement for Spain Governor and Rope Tightener	AAA20600H	Apollo Governor Arrangement
TBA22700E	Tension Device		

Related Documents

Document ID	Title
15-AAA20600H	Apollo Governor
15-TAA20602B	Governor Traction System Sheave
15-TBA22700E	Tension Device

Subject Matter Expert

Name	Department
Gary Mendrala	OSC Service Engineering

About Spare Parts Leaflets...

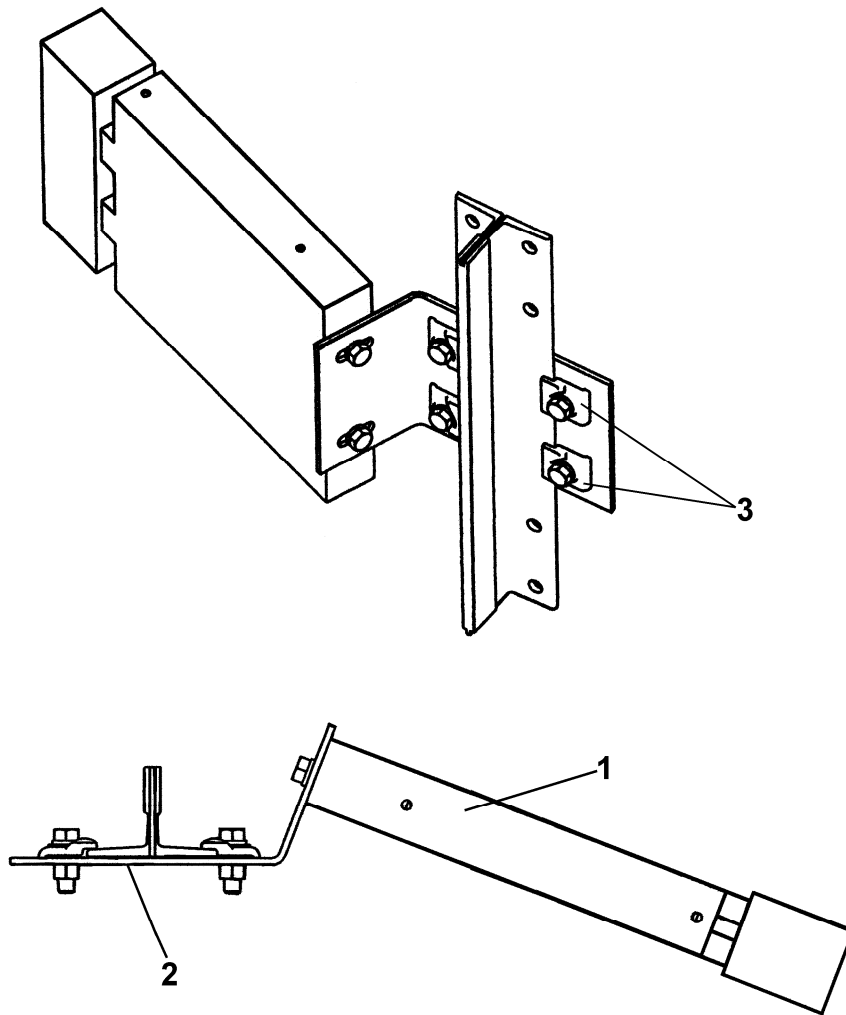
This document lists the lowest replaceable units (LRUs) for the standard version of the product. The LRUs are chosen by a team of Otis associates representing engineering and manufacturing.


While goal of this document is to make parts identification as easy as possible, the document cannot be all-inclusive. Elevator and escalator contracts classified as "special" or "custom" are not addressed here. For such contracts, please refer to specified information, the contract folder, TIPs, Field Education Articles, Construction Letters, etc. for further information.

If you have any suggestions about this document, please contact the subject matter expert listed on this page.

Governor & Rope Tightener

15-AAA22700K



W/O VINTAGE		
REF. No.	PART No.	DESCRIPTION
1	TAA22700E12 TBA22700E12	Assembly, Idler,  SPL 15-TBA22700E, <i>Tension Device</i>
2	AAA316GAB1	Bracket, Idler
3	339GM1	Clip, Rail