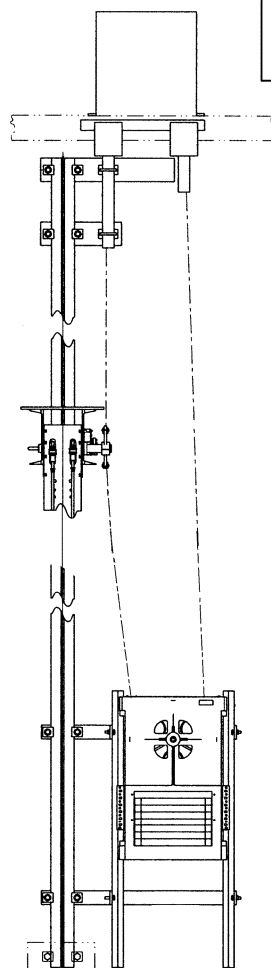


**Arrangement Governor
Rope System for
12C/14D/18D/25D Car
Frames**

**Spare Parts Leaflet
15-AAA22700R**

June 28, 2002 / Page 1 of 6



W/O VINTAGE

OTIS

Safety First!

**SERVICE ENGINEERING
Otis Elevator Company
Bloomfield, Connecticut USA**

Leaflet Description

The AAA22700R drawing titled "Arrangement Governor Rope System the 12C/14D/18D/25D Car Frames" was originally dated 2001-03-03, which is also the earliest governor drawing date. Production for the AAA22700R would have been late year 2001, and field installation would be from 2002 and on. Having no vintage associated with this arrangement, it is safe to say that all car frame arrangement prior to late year 2001 would be from another arrangement type.

Leaflet Revisions

Date Revised	Subject Matter Expert	Reason for Revision
June 28, 2002	Sean Mismas	New SPL

Related Drawings

Drawing No.	Title	Drawing No.	Title
AAA22700R	Arrangement Governor Rope System 12C/14D/18D/25D Car Frame	---	---

Related Documents

Document ID	Title
SPL 11-AAA712P/Q/R	Wire Rope Sundries, Shackles, and Springs
SPL 15-A6481J	Governor Rope Tightener (Car)
SPL 15-AAA22700P	Car Governor Rope Tightener
SPL 15-JAA20610AAA	Type B7063E Governor
SPL 15-JAA20621AAA	Type A7063F Governor
SPL 15-TBA20602C	Governor Rope Grip System

Subject Matter Expert

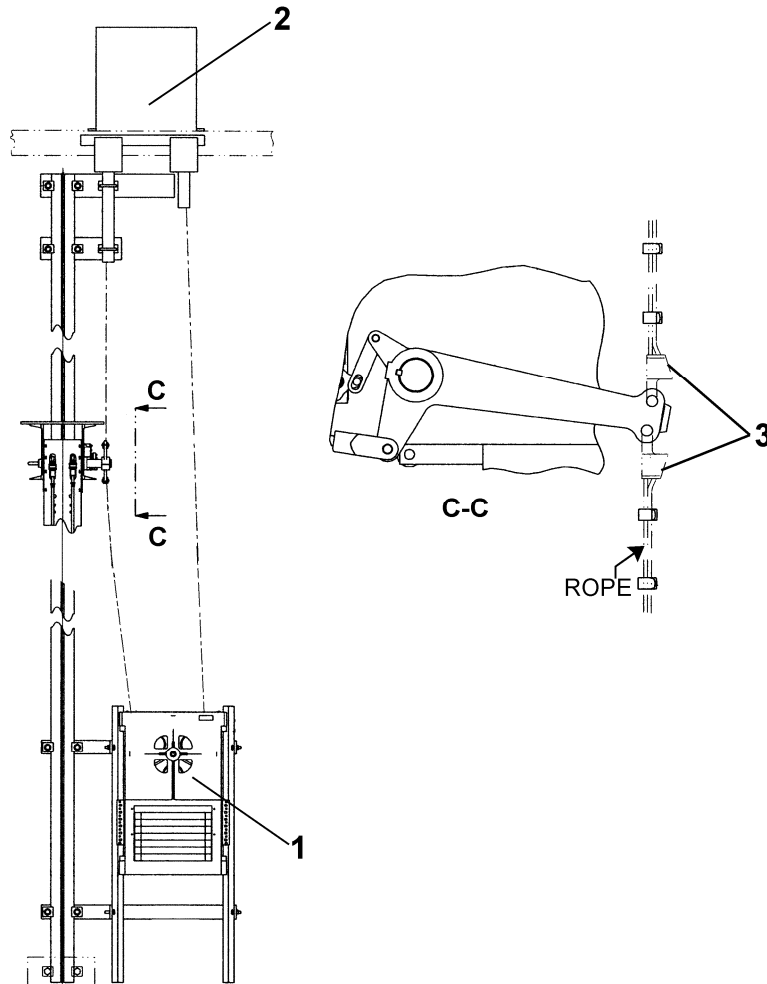
Name	Department
Sean Mismas	OSC Service Engineering




About Spare Parts Leaflets...

This document lists the lowest replaceable units (LRUs) for the standard version of the product. The LRUs are chosen by a team of Otis associates representing engineering and manufacturing.

While goal of this document is to make parts identification as easy as possible, the document cannot be all-inclusive. Elevator and escalator contracts classified as "special" or "custom" are not addressed here. For such contracts, please refer to specified information, the contract folder, TIPs, Field Education Articles, Construction Letters, etc. for further information.

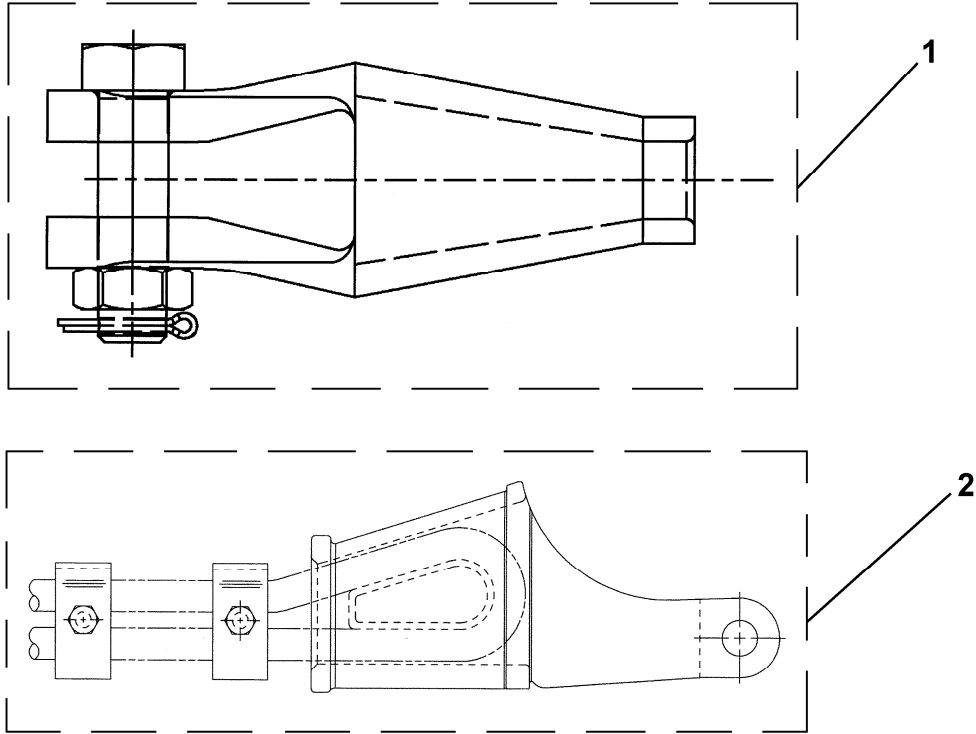
If you have any suggestions about this document, please contact the subject matter expert listed on this page.



W/O VINTAGE		
REF. No.	PART No.	DESCRIPTION
1	---	Assembly, Tension Frame,  Page 6
2	---	Governor,  Page 5
3	---	Socket, Governor Rope,  Page 4

15-AAA22700R

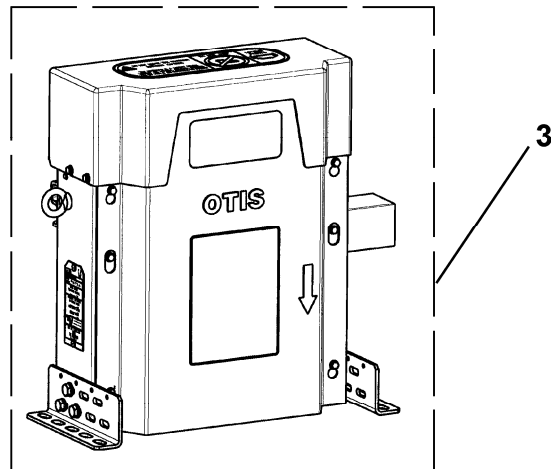
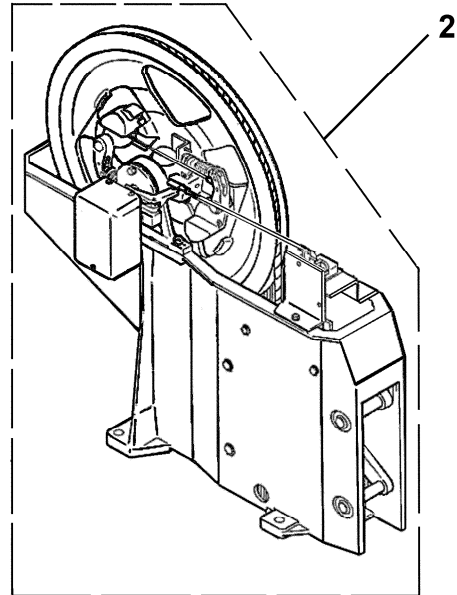
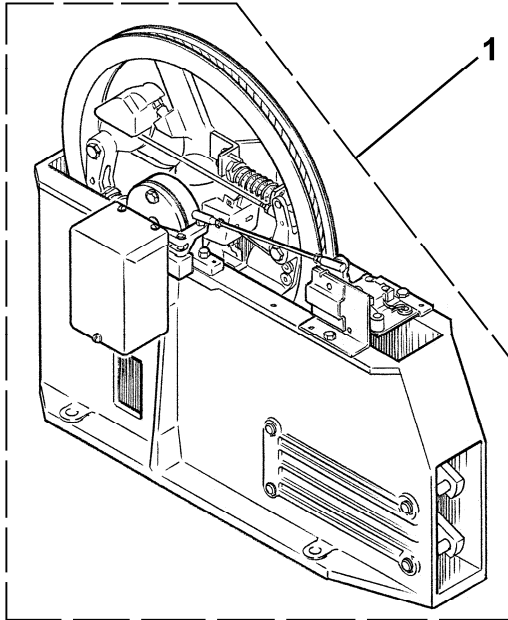
Governor Rope Socket






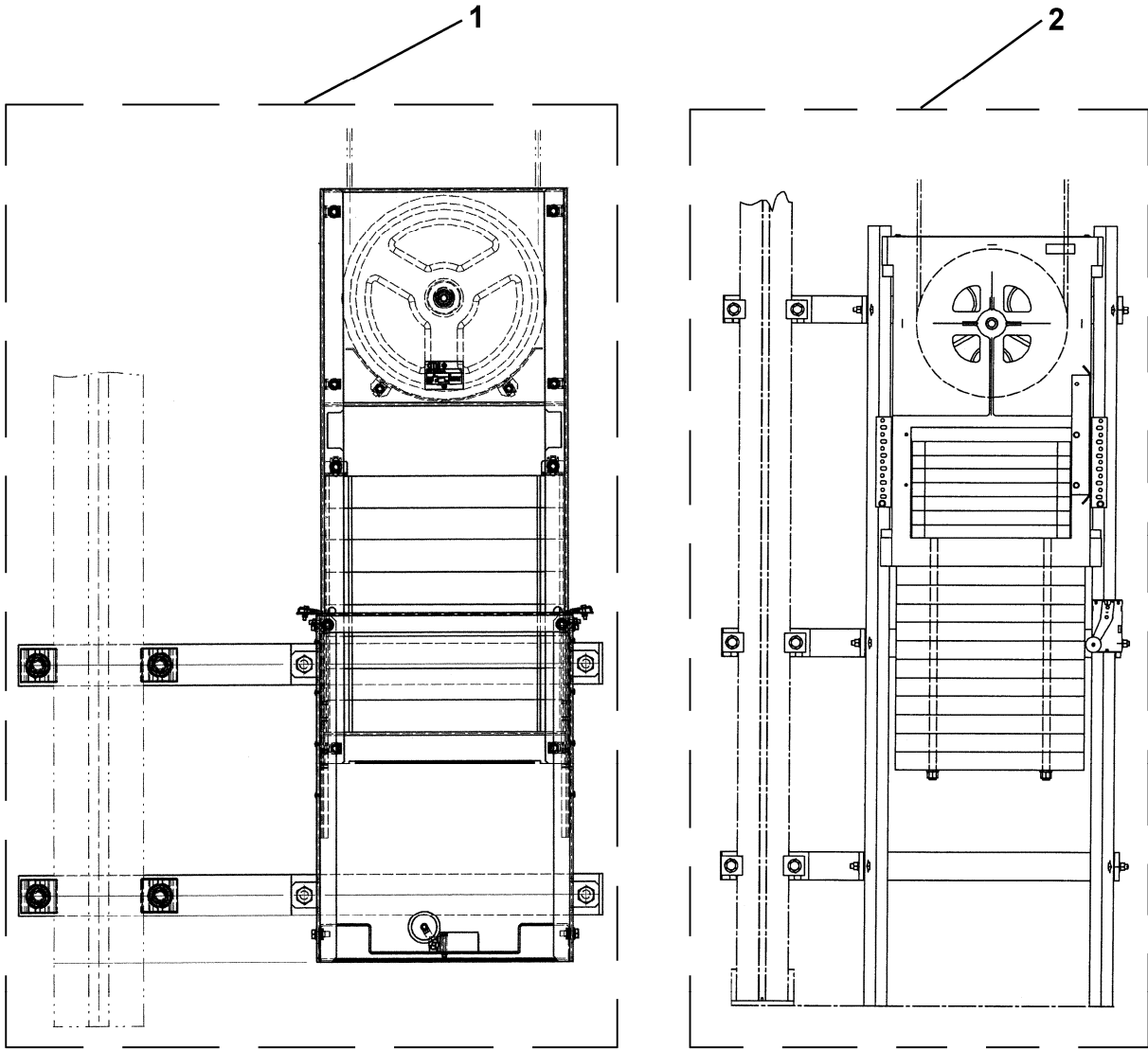
W/O VINTAGE			
REF. No.	PART No.	DESCRIPTION	
1	227C3	Socket, Babbitted, for 1/2 in. Diameter Governor Rope	Including Nut, Bolt, and Cotton Pin
	227C7	Socket, Babbitted, for 3/8 in. Diameter Governor Rope	
2	AAA227E7 AAA227E14	Socket, Wedge, for 3/8 in. Diameter Governor Rope	Including Nut, Bolt, Cotton Pin, Wedge, and Two Retaining Clips
	AAA227E8 AAA227E15	Socket, Wedge, for 1/2 in. Diameter Governor Rope	





Governor

15-AAA22700R



W/O VINTAGE		
REF. No.	PART No.	DESCRIPTION
1	---	16.5 in. Governor, Type J**20610AAA, 1/2 in. (12.7 mm) Wire Rope, Max. Speed = 1200 FPM,  SPL 15-JAA20610AAA
2	---	24 in. Governor, Type J**20621AAA, 1/2 in. (12.7 mm) Wire Rope, Max. Speed = 1800 FPM,  SPL 15-JAA20621AAA
3	---	12 in. Governor, Type T**20602C, 3/8 in. (9.5 mm) Wire Rope, Max. Rise = 475 ft. (145 m), Max. Speed = 800 ft./MIN (4 m/Sec.),  SPL 15-TBA20602C



		W/O VINTAGE
REF. No.	PART No.	DESCRIPTION
1	---	Assembly, Tension Frame, Type AAA22700P,  12 in. Governor,  SPL 15-AAA22700P
2	---	Assembly, Tension Frame, Type A6481J,  16.5 in. & 24 in. Governors,  SPL 15-A6481J