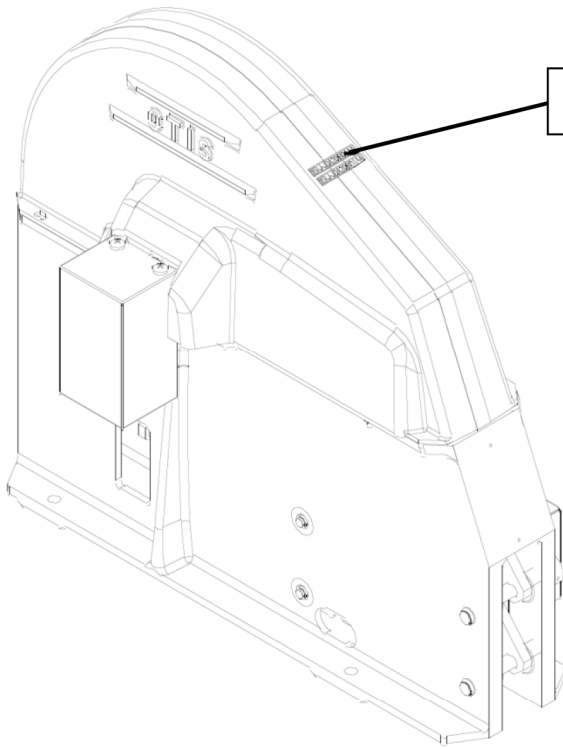


**TYPE 7063E
GOVERNOR ENCODER
RETROFIT KIT**

Spare Parts Leaflet

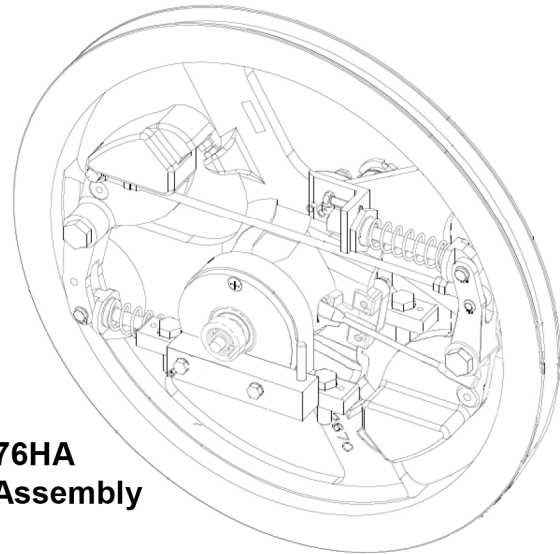
15-AAA27076HA

December 9, 2015 / Page 1 of 12



15

A - AAA27076HA



**AAA27076HA
Sheave Assembly**

OTIS

**SERVICE ENGINEERING
Otis Elevator Company
Bloomfield, Connecticut USA**

Unpublished Work—© Otis Elevator Co.; 2015

Leaflet Description

This leaflet provides information for the replaceable components of the AAA27076HA type 7063E governor encoder retrofit kit. This retrofit kit is used in B7063E, C7063E, AAA7063AJ, JAA20610AA, JBA20610AA, JCA20610AAA, and JDA20610AAA governors. For replaceable components of these governors not covered in this SPL, refer to the SPL's in the related documents section.

NOTE: Elevonic SkyRise Modernization Orders to be filled by the Mod CLC at OSC.

Leaflet Revisions

Date Revised	Subject Matter Expert	Reason for Revision
December 9, 2015	Juan Murillo	New SPL

Related Drawings

Drawing No.	Title	Drawing No.	Title
AAA7063AJ	Ass'y & Arr., Governor 16" Shaft with Encoder Drive.	JDA20610AAA	Ass'y & Arr., C7063E Governor 16.5" Sheave
AAA27076HA	Sundries, Governor Encoder Retrofit Kit	B7063E	Ass'y & Arr., 7063E Governor 16" Sheave
C7063E	Ass'y & Arr., C7063E Governor 16" Sheave	JAA20610AAA	Ass'y & Arr., B7063E Governor 16" Sheave
JBA20610AAA	Ass'y & Arr., B7063E Governor 16" Sheave	JCA20610AAA	Ass'y & Arr., B7063E Governor 16" Sheave

Related Documents

Document ID	Title
SPL 15-C7063E	Type 7063E Governor
SPL 15-AAA7063AJ	Type AAA7063AJ Governor w/Position Reference System (PRS)
SPL 15-JAA20610AAA	Type C7063E Governor
TIP 9.2.2-2	Type 7063E Governor Encoder Retrofit Kit Installation

Subject Matter Expert

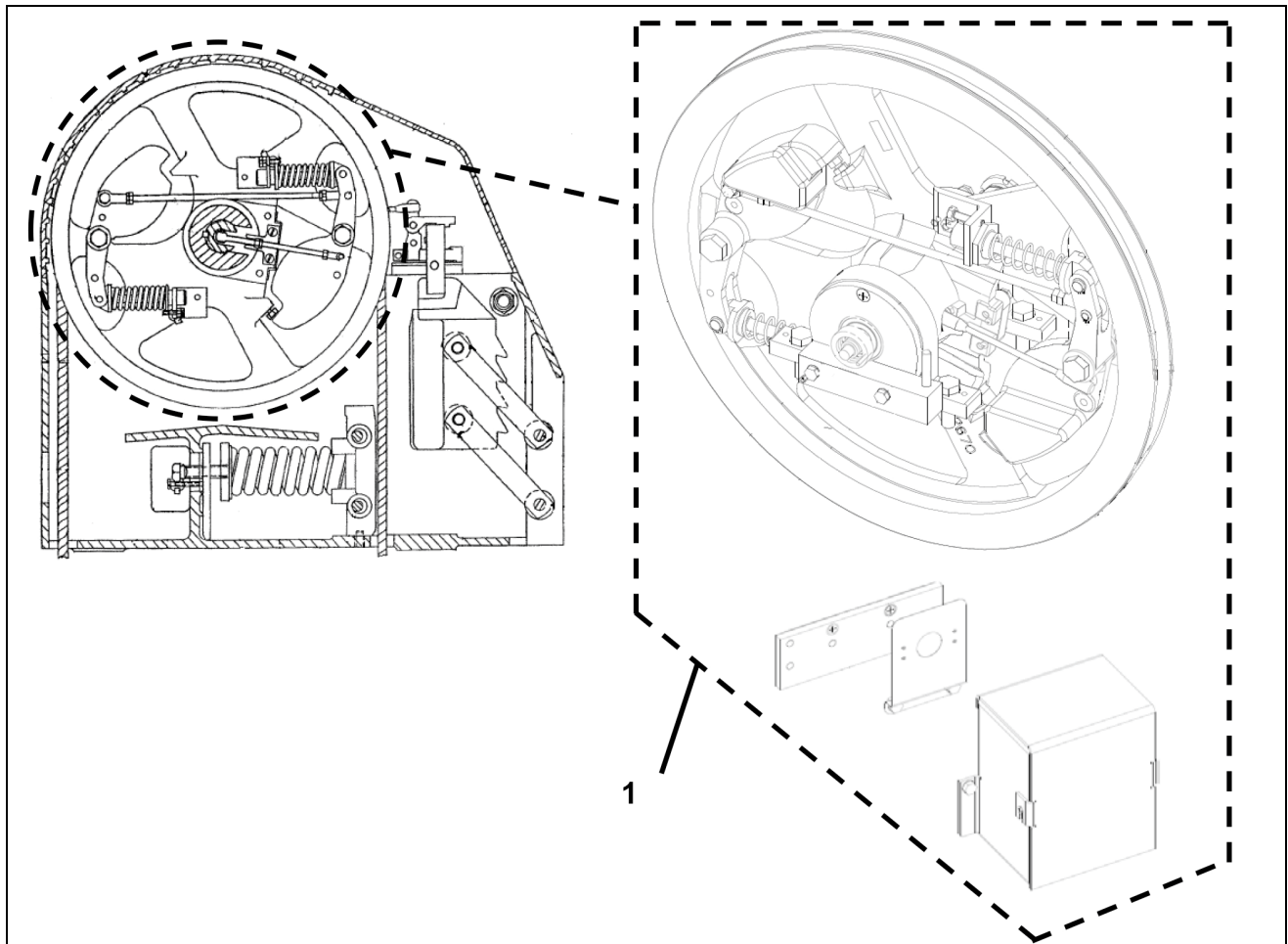
Name	Department
Juan Murillo	OSC Service Engineering

About Spare Parts Leaflets...

This document lists the lowest replaceable units (LRUs) for the standard version of the product. The LRUs are chosen by a team of Otis associates representing engineering and manufacturing. While goal of this document is to make parts identification as easy as possible, the document cannot be all-inclusive. Elevator and escalator contracts classified as "special" or "custom" are not addressed here. For such contracts, please refer to specified information, the contract folder, TIPs, Field Education Articles, Construction Letters, etc. for further information. If you have any suggestions about this document, please contact the subject matter expert listed on this page.

Type 7063E Governor Encoder Retrofit Kit

15-AAA27076HA



AAA27076HA						
REF. No.	PART No.	CONTRACT SPEED (FPM)	HAND	CAR/ CWT	TRL* (ft.)	DESCRIPTION
1	AAA27076HA1	250	Left	Car	≤1000	Sundries, Type 7063E Governor Encoder Retrofit Kit. Used with B7063E, C7063E, AAA7063AJ.
	AAA27076HA2	300				
	AAA27076HA3	350				
	AAA27076HA4	400				
	AAA27076HA5	450				
	AAA27076HA6	500				
	AAA27076HA7	600				
	AAA27076HA8	700				
	AAA27076HA9	800				
	AAA27076HA10	1000				
	AAA27076HA11	1200				

*Total Rail Length (TRL) = Pit + Rise + Overhead

15-AAA27076HA**Type 7063E Governor Encoder Retrofit Kit**

AAA27076HA						
REF. No.	PART No.	CONTRACT SPEED (FPM)	HAND	CAR/ CWT	TRL * (ft.)	DESCRIPTION
1	AAA27076HA12	250	Left	CWT	≤1000	Sundries, Type 7063E Governor Encoder Retrofit Kit. Used with B7063E, C7063E, AAA7063AJ.
	AAA27076HA13	300				
	AAA27076HA14	350				
	AAA27076HA15	400				
	AAA27076HA16	450				
	AAA27076HA17	500				
	AAA27076HA18	600				
	AAA27076HA19	700				
	AAA27076HA20	800				
	AAA27076HA21	1000				
	AAA27076HA22	1200				
	AAA27076HA23	250	Right	Car		
	AAA27076HA24	300				
	AAA27076HA25	350				
	AAA27076HA26	400				
	AAA27076HA27	450				
	AAA27076HA28	500				
	AAA27076HA29	600				
	AAA27076HA30	700				
	AAA27076HA31	800				
	AAA27076HA32	1000				
	AAA27076HA33	1200				
	AAA27076HA34	250	CWT			
	AAA27076HA35	300				
	AAA27076HA36	350				
	AAA27076HA37	400				
	AAA27076HA38	450				
	AAA27076HA39	500				
	AAA27076HA40	600				
	AAA27076HA41	700				
	AAA27076HA42	800				
	AAA27076HA43	1000				
AAA27076HA44	1200					

*Total Rail Length (TRL) = Pit + Rise + Overhead

Type 7063E Governor Encoder Retrofit Kit

15-AAA27076HA

	AAA27076HA					
REF. No.	PART No.	CONTRACT SPEED (FPM)	HAND	CAR/ CWT	TRL* (ft.)	DESCRIPTION
1	AAA27076HA45	300	Left	Car	≤1000	Sundries, Type 7063E Governor Encoder Retrofit Kit Used with JAA–JDA20610AAA
	AAA27076HA46	350				
	AAA27076HA47	400				
	AAA27076HA48	450				
	AAA27076HA49	500				
	AAA27076HA50	600				
	AAA27076HA51	700				
	AAA27076HA52	800				
	AAA27076HA53	1000				
	AAA27076HA54	1200				
	AAA27076HA55	400				
	AAA27076HA56	450				
	AAA27076HA57	500				
	AAA27076HA58	600				
	AAA27076HA59	700				
	AAA27076HA60	800				
	AAA27076HA61	1000				
	AAA27076HA62	1200				
	AAA27076HA63	300	Right	Car		
	AAA27076HA64	350				
	AAA27076HA65	400				
	AAA27076HA66	450				
	AAA27076HA67	500				
	AAA27076HA68	600				
	AAA27076HA69	700				
	AAA27076HA70	800				
	AAA27076HA71	1000				
	AAA27076HA72	1200				
	AAA27076HA73	400				
	AAA27076HA74	450				
	AAA27076HA75	500				
	AAA27076HA76	600				
AAA27076HA77	700					
AAA27076HA78	800					
AAA27076HA79	1000					
AAA27076HA80	1200					

*Total Rail Length (TRL) = Pit + Rise + Overhead

NOTE: Arrangements 45–116 will not be available before April 2016.

15-AAA27076HA**Type 7063E Governor Encoder
Retrofit Kit**

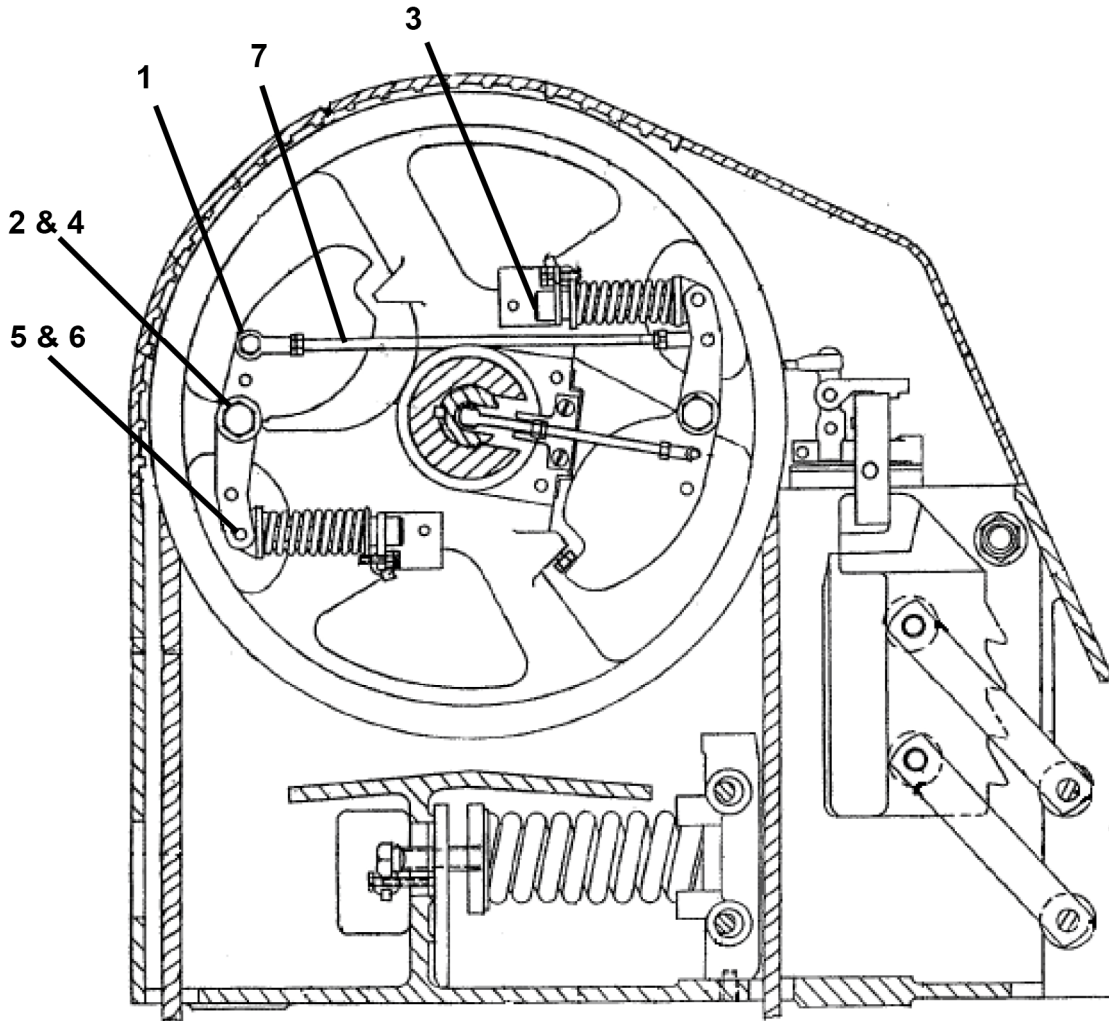
AAA27076HA									
REF. No.	PART No.	CONTRACT SPEED (FPM)	HAND	CAR/ CWT	TRL* (ft.)	DESCRIPTION			
1	AAA27076HA81	300	Left	Car	>1000	Sundries, Type 7063E Governor Encoder Retrofit Kit Used with JDA20610AAA			
	AAA27076HA82	350							
	AAA27076HA83	400							
	AAA27076HA84	450							
	AAA27076HA85	500							
	AAA27076HA86	600							
	AAA27076HA87	700							
	AAA27076HA88	800							
	AAA27076HA89	1000							
	AAA27076HA90	1200							
	AAA27076HA91	400							
	AAA27076HA92	450							
	AAA27076HA93	500							
	AAA27076HA94	600							
	AAA27076HA95	700							
	AAA27076HA96	800							
	AAA27076HA97	1000							
	AAA27076HA98	1200							
		AAA27076HA99	300	Right			Car		
		AAA27076HA100	350						
		AAA27076HA101	400						
		AAA27076HA102	450						
		AAA27076HA103	500						
		AAA27076HA104	600						
		AAA27076HA105	700						
		AAA27076HA106	800						
		AAA27076HA107	1000						
		AAA27076HA108	1200						
		AAA27076HA109	400						
		AAA27076HA110	450						
		AAA27076HA111	500						
		AAA27076HA112	600						
	AAA27076HA113	700							
	AAA27076HA114	800							
	AAA27076HA115	1000							
	AAA27076HA116	1200							
				CWT					

*Total Rail Length (TRL) = Pit + Rise + Overhead

NOTE: Arrangements 45–116 will not be available before April 2016.

Type 7063E Governor Encoder Retrofit Kit Parts

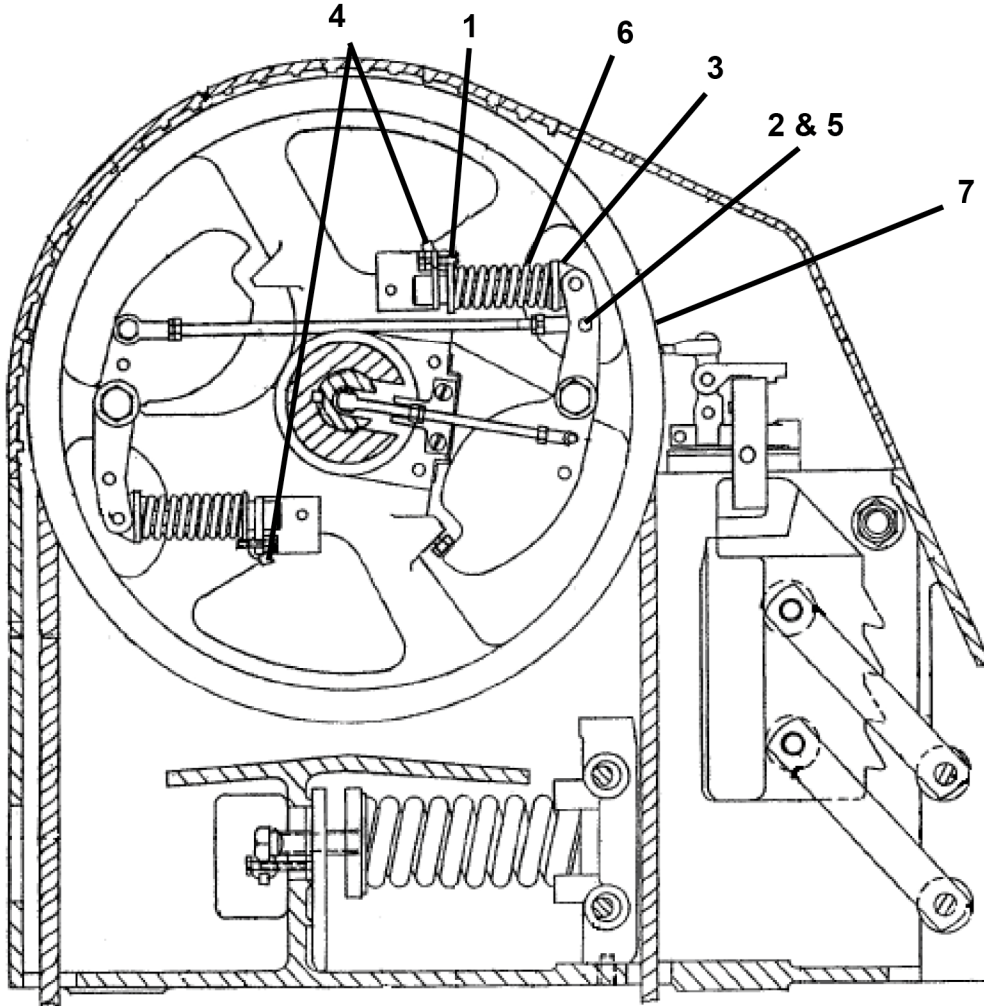
15-AAA27076HA



AAA27076HA		
REF. No.	PART No.	DESCRIPTION
1	JX212AA1	Bearing, Rod End
2	JX59BL2	Bolt, Shouldered, 12.656 mm
3	JX65DD1	Bolt, Special
4	335AB2	Bushing, Flyweight
5	77JP5	Pin, Weight Spring Pivot
6	172DE20	Ring, Retaining
7	JX96H197	Rod, Weight Connecting (M6 Threads) 282.6 mm L

15-AAA27076HA

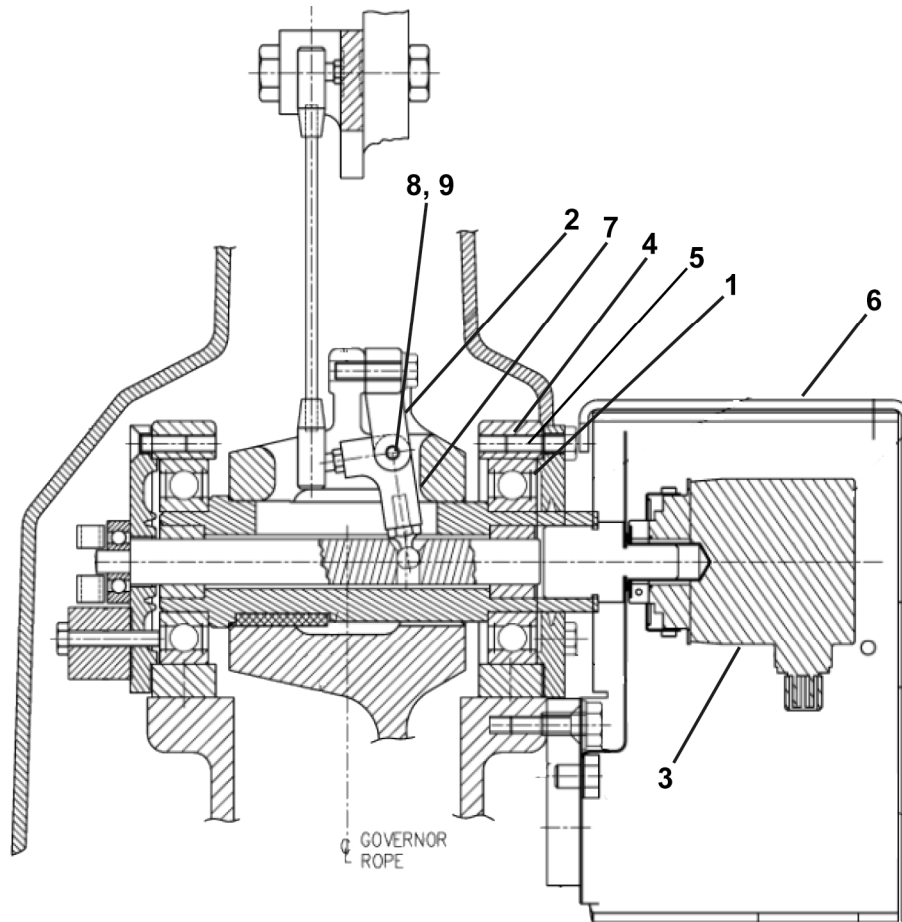
Type 7063E Governor Encoder Retrofit Kit Parts



AAA27076HA		
REF. No.	PART No.	DESCRIPTION
1	JX58AD45	Bolt, M6 x 25mm
2	JX77JP13	Pin, Weight Rod
3	79BN1	Pin, Shouldered, for Weight Spring
4	JAA431AAV1	Plate, Data Seal
5	JX172DE25	Ring, Retaining
7	JAA267AAR1	Sheave, Governor Rope (419) 7063E Governor
6	---	Spring, Compression, for Weights (per Contract)

Type 7063E Governor Encoder Retrofit Kit Parts

15-AAA27076HA

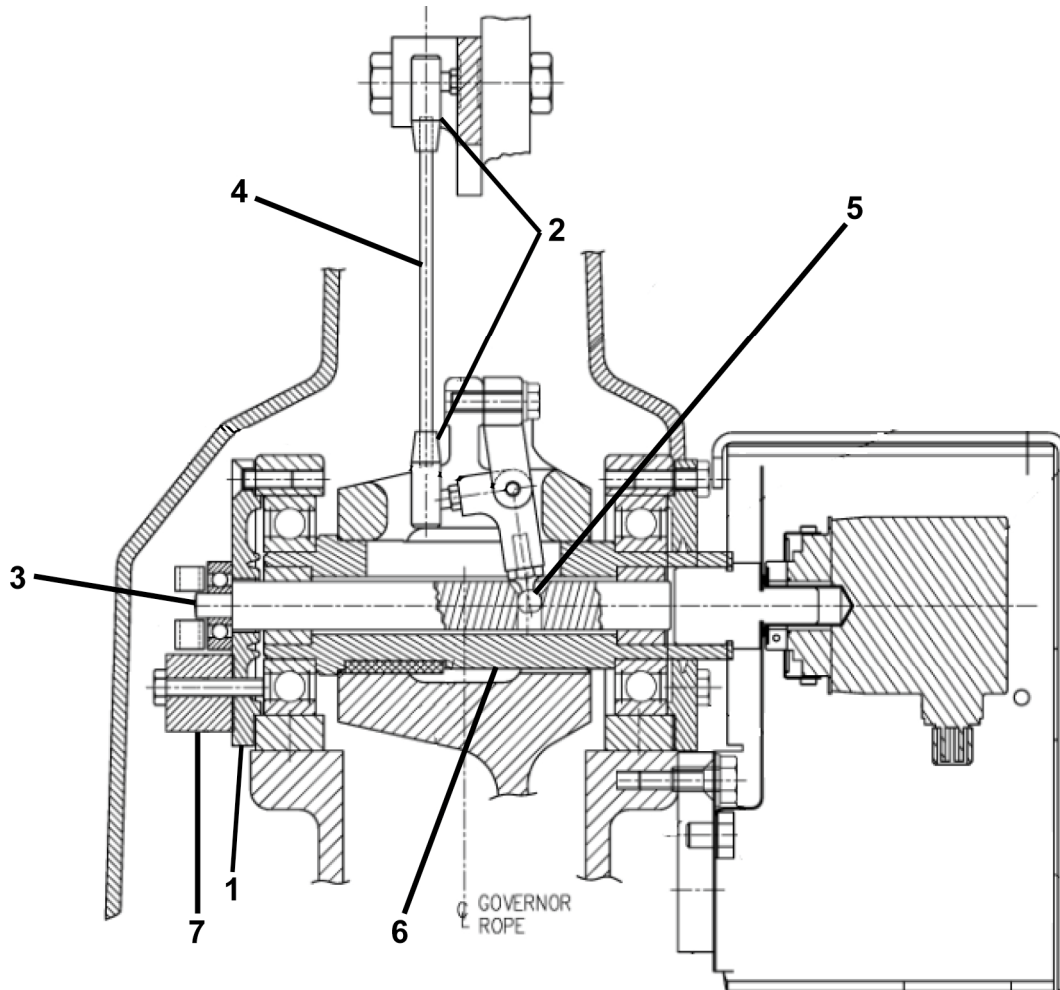


AAA27076HA		
REF. No.	PART No.	DESCRIPTION
1	207Z22	Bearing, Ball
	JAA209ACB1	Bearing, Roller*
2	316CGH1	Bracket, Linkage
3	KAA633AAB2	Encoder
4	376EJ1	Gasket, Exterior
5	JAA376ABE1	Gasket, Interior
6	KAA384ADH1	Guard, Encoder
7	307AX1	Linkage, Bell Crank
8	77JP18	Pin, Bell Crank
9	172DE26	Ring, Retaining. For bell crank.

*Roller bearings required when Pit + Rise + Overhang > 1000 ft. in JDA20610AAA applications.

15-AAA27076HA

Type 7063E Governor Encoder Retrofit Kit Parts

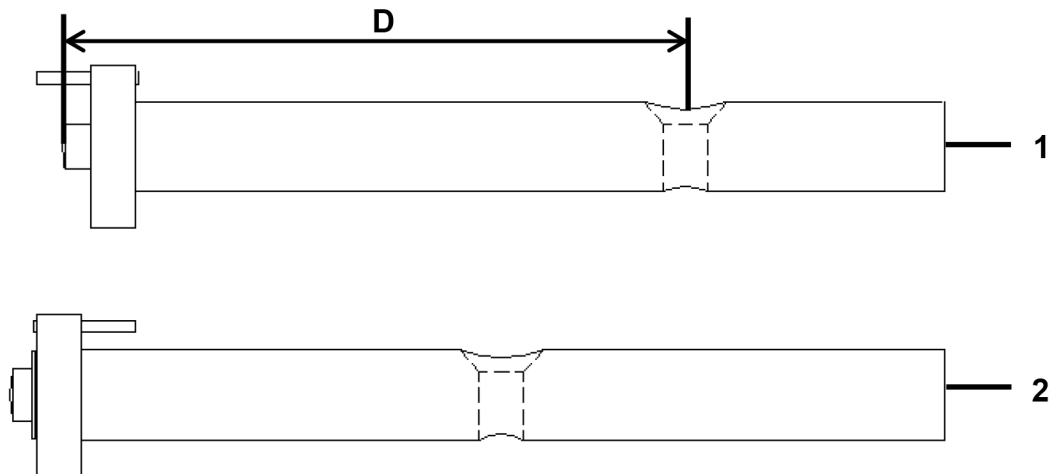




AAA27076HA

REF. No.	PART No.	DESCRIPTION	Used With
1	346AFN2	Cover	
1	AAA346AXE1	Cover, Encoder Side	
2	307AY1	Lever, Swivel	
3	---	Plunger (see p. 14)	
4	96H198	Rod, Bell Crank/Weight Linkage (10-32), 4 in. L	
5	124BS1	Screw, Ball, (10-32). For plunger engagement.	
6	JAA495ADB2	Shaft	
7	462FX2	Spacer	AAA7063AJ, B7063E, C7063E
	A462FG1	Spacer	JAA-JDA20610AAA

Type 7063E Governor Retrofit Kit Plungers

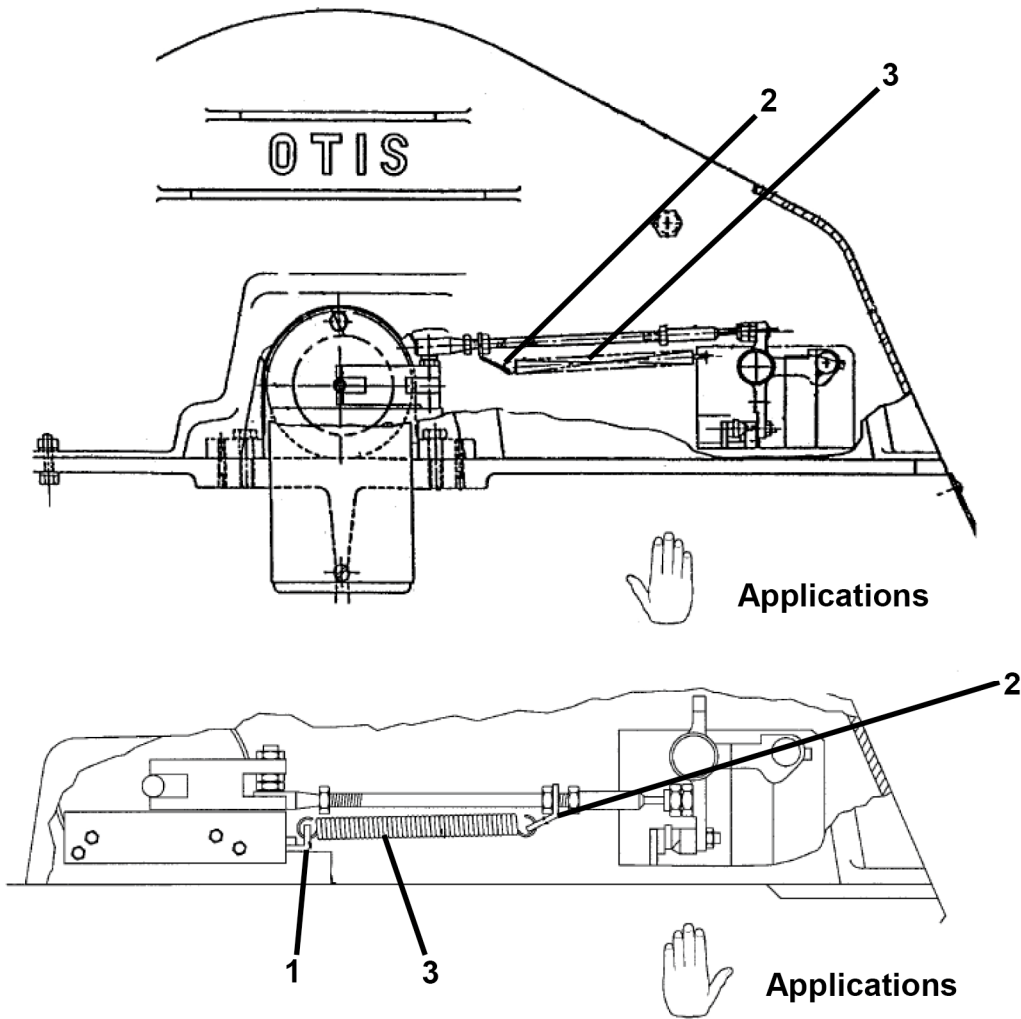
15-AAA27076HA






AAA27076HA			
REF. No.	PART No.	DESCRIPTION	D
1	445BT12	Plunger, 	4.32 in. (110 mm)
2	AAA445EH2	Plunger, 	3.40 in. (86 mm)

15-AAA27076HA

Type 7063E Governor Encoder Retrofit Kit Parts



AAA27076HA		
REF. No.	PART No.	DESCRIPTION
1	JAA149AAK1	Anchor, Spring ( Governors Only)
2	JAA149AAJ1	Anchor, Spring ( &  Governors)
3	JAA91ABJ1	Spring, Extension